



US00D664801S

(12) **United States Design Patent**  
**Reiner**

(10) **Patent No.:** **US D664,801 S**

(45) **Date of Patent:** **\*\* Aug. 7, 2012**

- (54) **ARTICULABLE PAN HANDLE**
- (75) Inventor: **Guillaume Reiner**, Grenoble (FR)
- (73) Assignee: **SEB**, Selongey (FR)
- (\*\*) Term: **14 Years**
- (21) Appl. No.: **29/416,022**
- (22) Filed: **Mar. 16, 2012**

D452,795 S *	1/2002	Johnson et al.	.....	D7/354
D463,711 S *	10/2002	Josancy	.....	D7/354
D464,526 S *	10/2002	Brown	.....	D7/354
D465,125 S *	11/2002	Chedal Anglay	.....	D7/354
D473,097 S *	4/2003	Brown et al.	.....	D7/354
D474,937 S *	5/2003	Josancy	.....	D7/354
D475,570 S *	6/2003	Josancy	.....	D7/354
D489,935 S *	5/2004	Choi	.....	D7/354
6,807,899 B2 *	10/2004	Dirand	.....	99/403
D532,248 S *	11/2006	Allende Fritsch	.....	D7/354
D533,014 S *	12/2006	Choi	.....	D7/354

(Continued)

**Related U.S. Application Data**

- (63) Continuation of application No. 29/400,036, filed on Aug. 23, 2011, now Pat. No. Des. 655,971.
  - (51) **LOC (9) Cl.** ..... **07-02**
  - (52) **U.S. Cl.** ..... **D7/354; D7/393**
  - (58) **Field of Classification Search** ..... D7/323, D7/329-332, 339, 346-347, 350.1-350.4, D7/353-367, 391, 393, 395, 402, 406, 538, D7/542; 99/324-325, 331-332, 337-348, 99/369, 400-418, 422, 425, 444, 451, 483, 99/644; 126/37 R, 261, 374.1, 378.1; 206/501-505, 206/507-508; 219/400, 405, 429-442, 620-624, 219/725, 730-735; 220/203.05, 203.07, 220/203.09, 298, 315-316, 573.1-573.5, 220/912; 426/438, 441
- See application file for complete search history.

**FOREIGN PATENT DOCUMENTS**

FR 05/6340 2/2006  
(Continued)

*Primary Examiner* — Ricky Pham  
(74) *Attorney, Agent, or Firm* — Loeb & Loeb LLP

(57) **CLAIM**  
The ornamental design for an articulable pan handle, as shown and described.

**DESCRIPTION**

FIG. 1 is a front elevational view of an embodiment of an articulable pan handle.

FIG. 2 is a side elevational view of the articulable pan handle of FIG. 1, the opposite side being a mirror image thereof.

FIG. 3 is a top plan view of the articulable pan handle of FIG. 1.

FIG. 4 is bottom plan view of the articulable pan handle of FIG. 1; and,

FIG. 5 is perspective view of the articulable pan handle of FIG. 1.

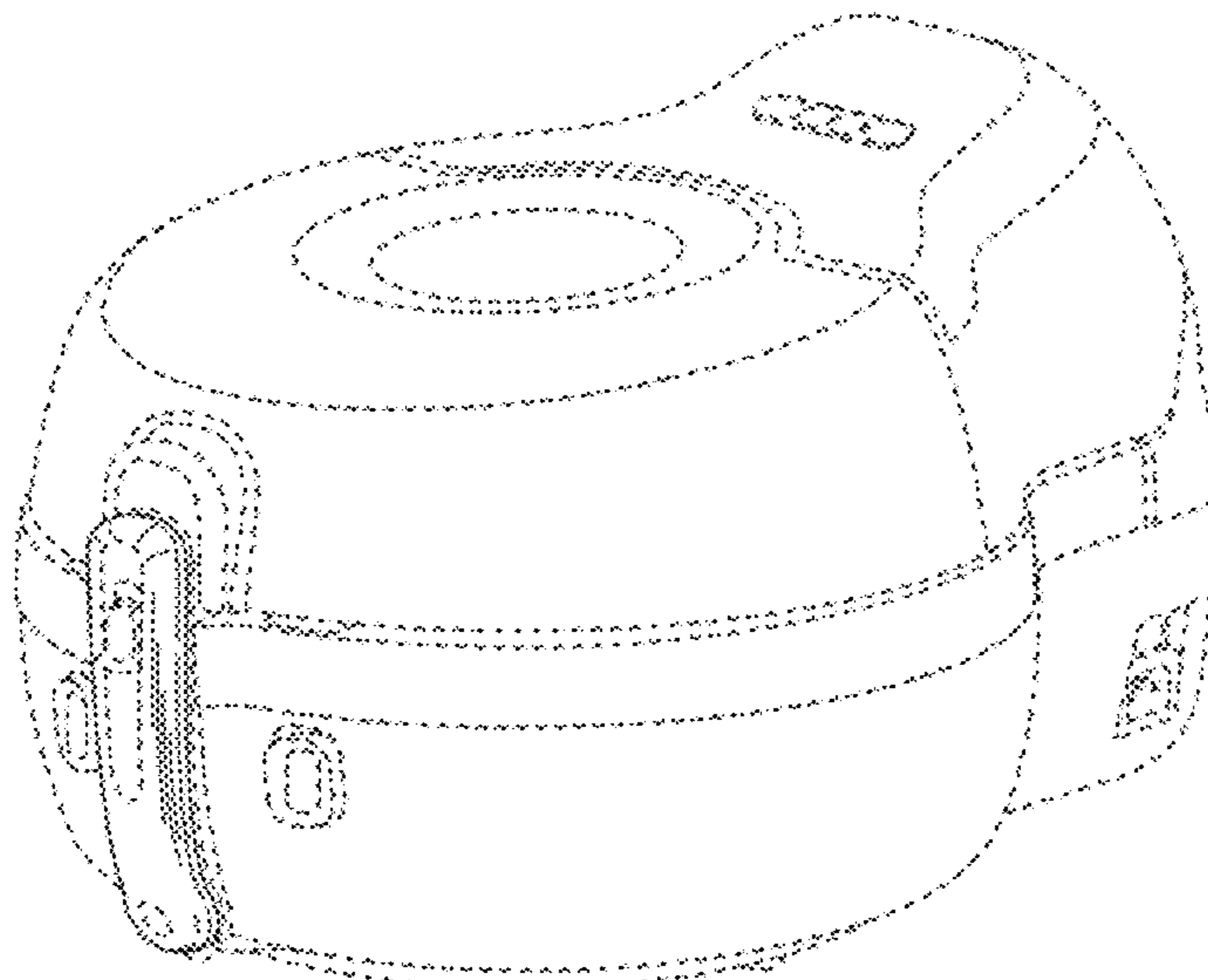
The broken lines appearing in the figures are for the purpose of illustrating the environmental structure of the article of the claimed design and form no part of the claimed design.

**1 Claim, 5 Drawing Sheets**

(56) **References Cited**

**U.S. PATENT DOCUMENTS**

5,469,782 A	11/1995	Wong	
D386,646 S *	11/1997	Wurth	..... D7/354
D397,579 S *	9/1998	Wu Chang	..... D7/350.1
D414,072 S *	9/1999	Powell	..... D7/354
D419,824 S *	2/2000	Sham et al.	..... D7/354
D422,447 S *	4/2000	Josancy	..... D7/354
D423,277 S *	4/2000	Josancy	..... D7/354
D427,841 S *	7/2000	De'Longhi	..... D7/354
D432,348 S *	10/2000	Shaw	..... D7/354



# US D664,801 S

Page 2

---

## U.S. PATENT DOCUMENTS

D551,897 S \* 10/2007 De Pra' ..... D7/339  
D557,552 S \* 12/2007 Matras ..... D7/354  
D583,616 S \* 12/2008 Jerstroem et al. .... D7/354  
D609,962 S \* 2/2010 Fiorotto ..... D7/354  
D610,866 S \* 3/2010 Fiorotto ..... D7/354  
D622,093 S 8/2010 Reiner  
D638,251 S 5/2011 Josancy  
7,993,694 B2 8/2011 Goderiaux et al.

D655,971 S \* 3/2012 Reiner ..... D7/354  
2002/0189463 A1\* 12/2002 Huang ..... 99/331  
2008/0163764 A1 7/2008 Payen et al.  
2008/0213447 A1 9/2008 Payen et al.

## FOREIGN PATENT DOCUMENTS

FR 09/2453 7/2009

\* cited by examiner

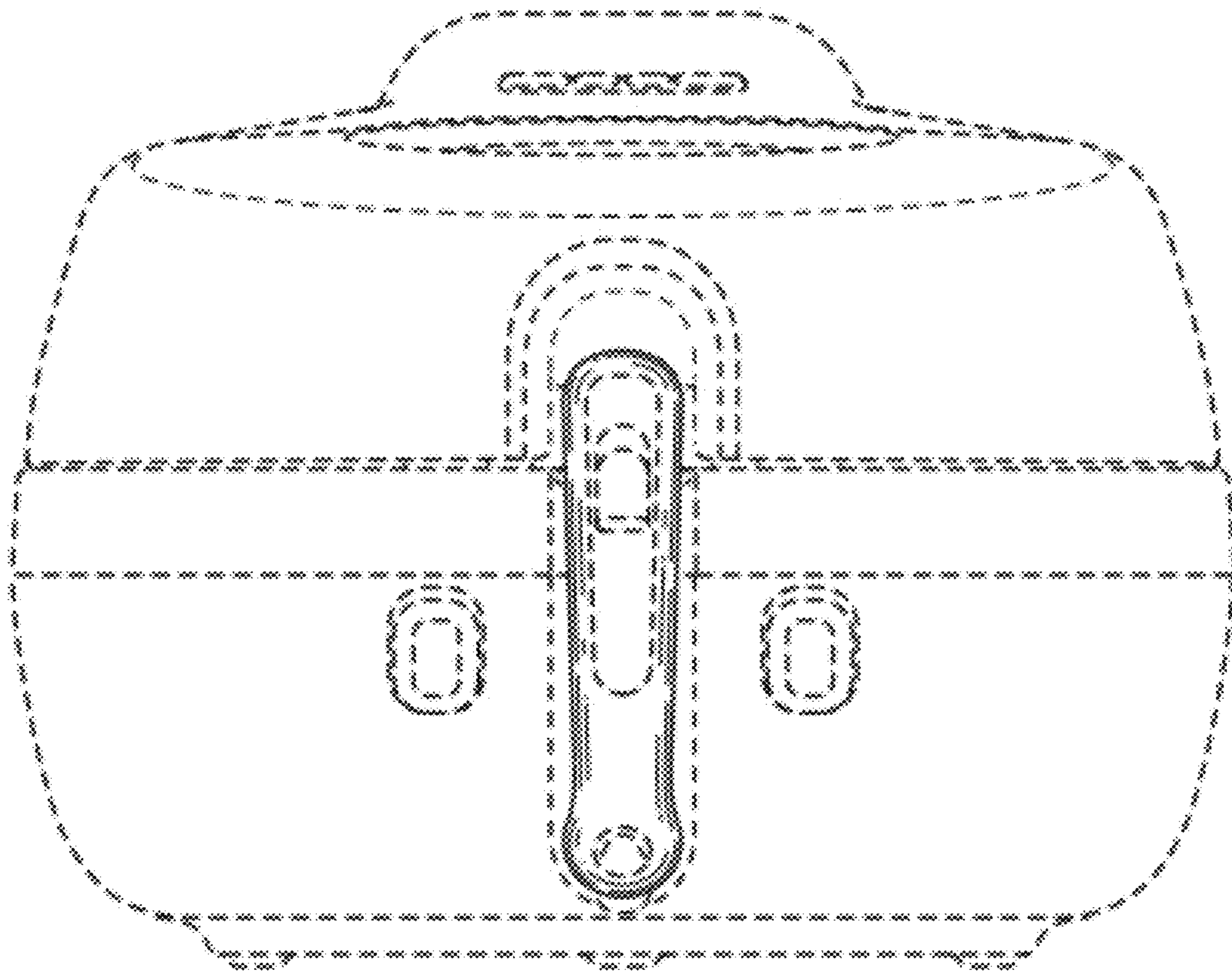


Fig. 1

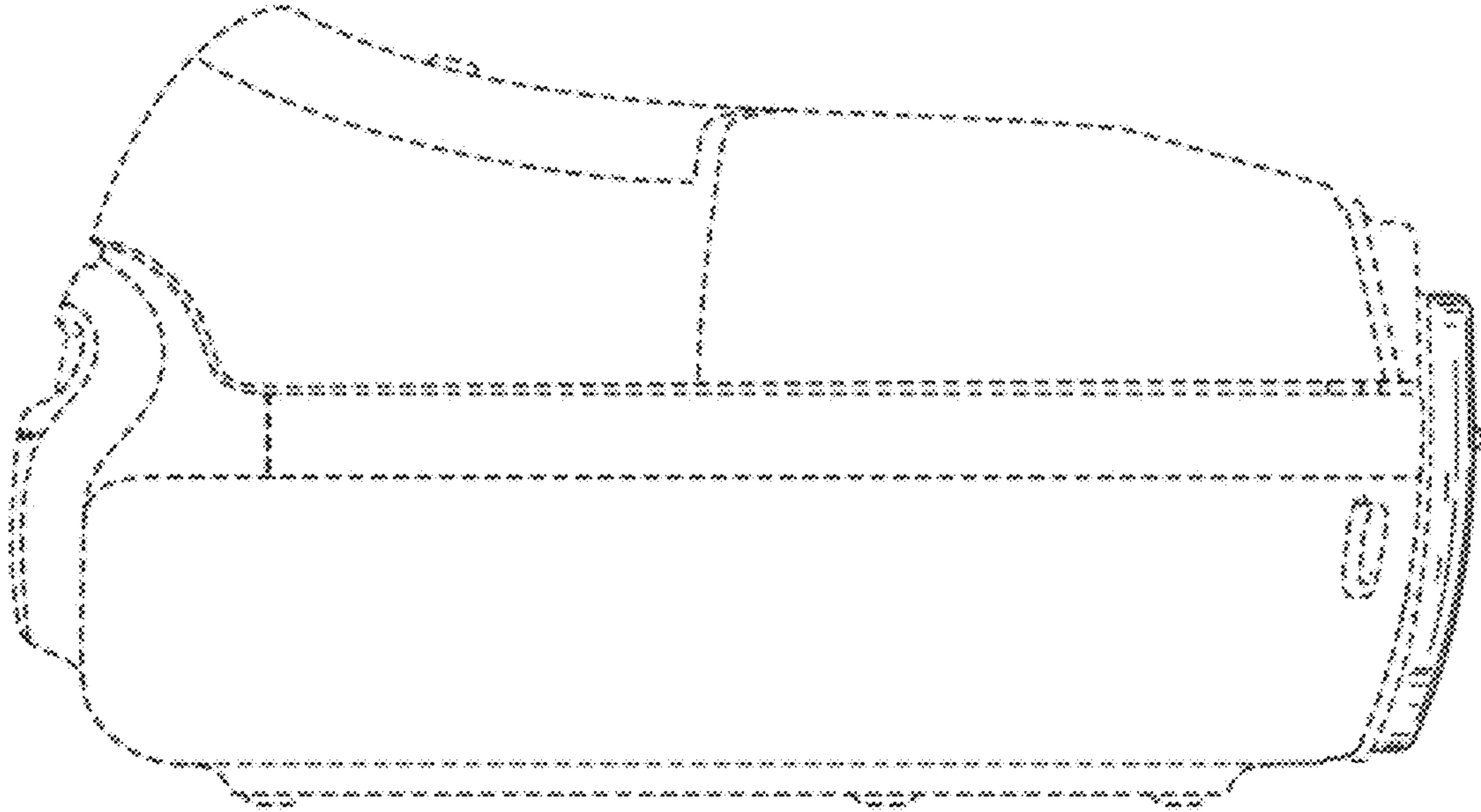


Fig. 2

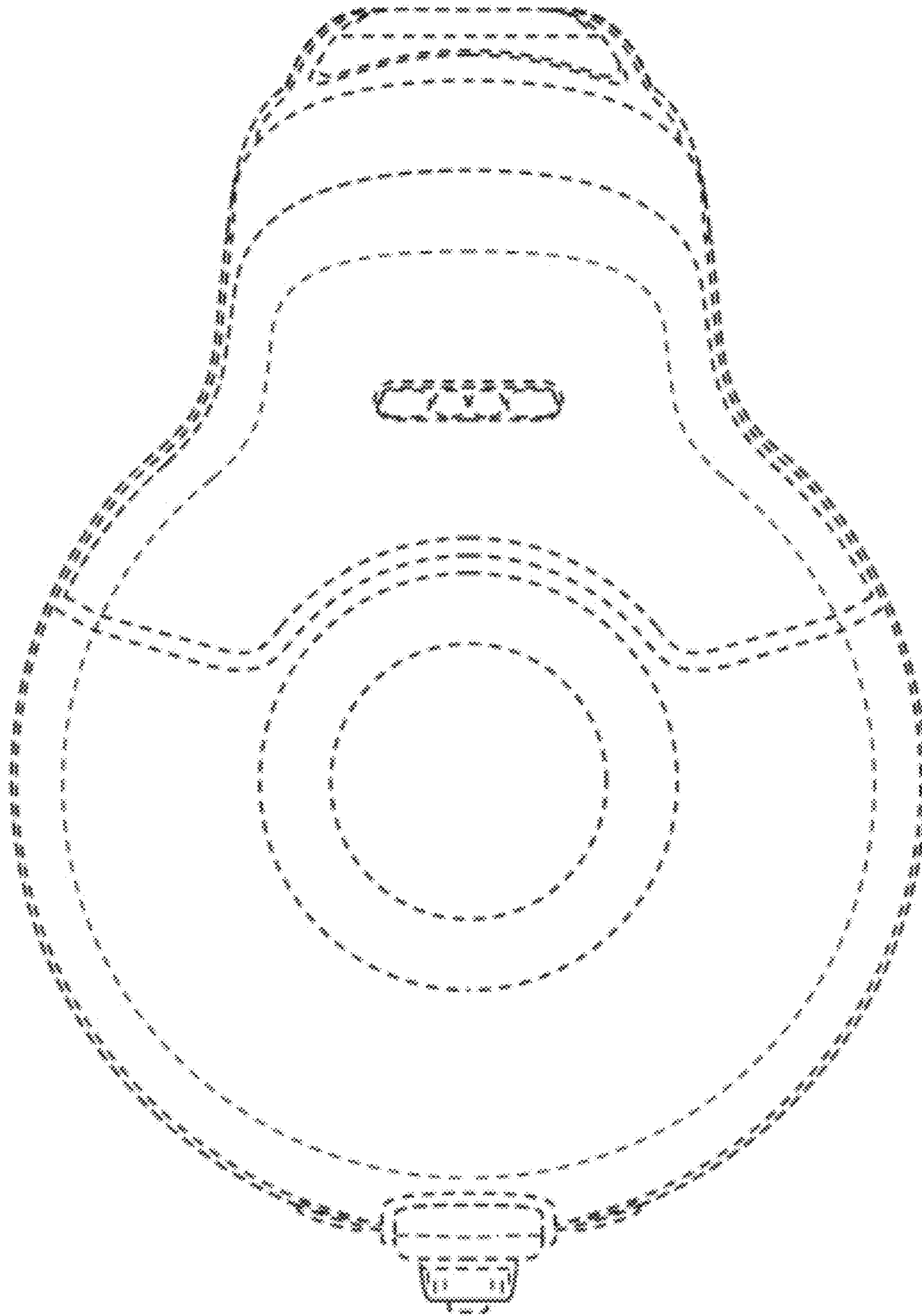


Fig. 3

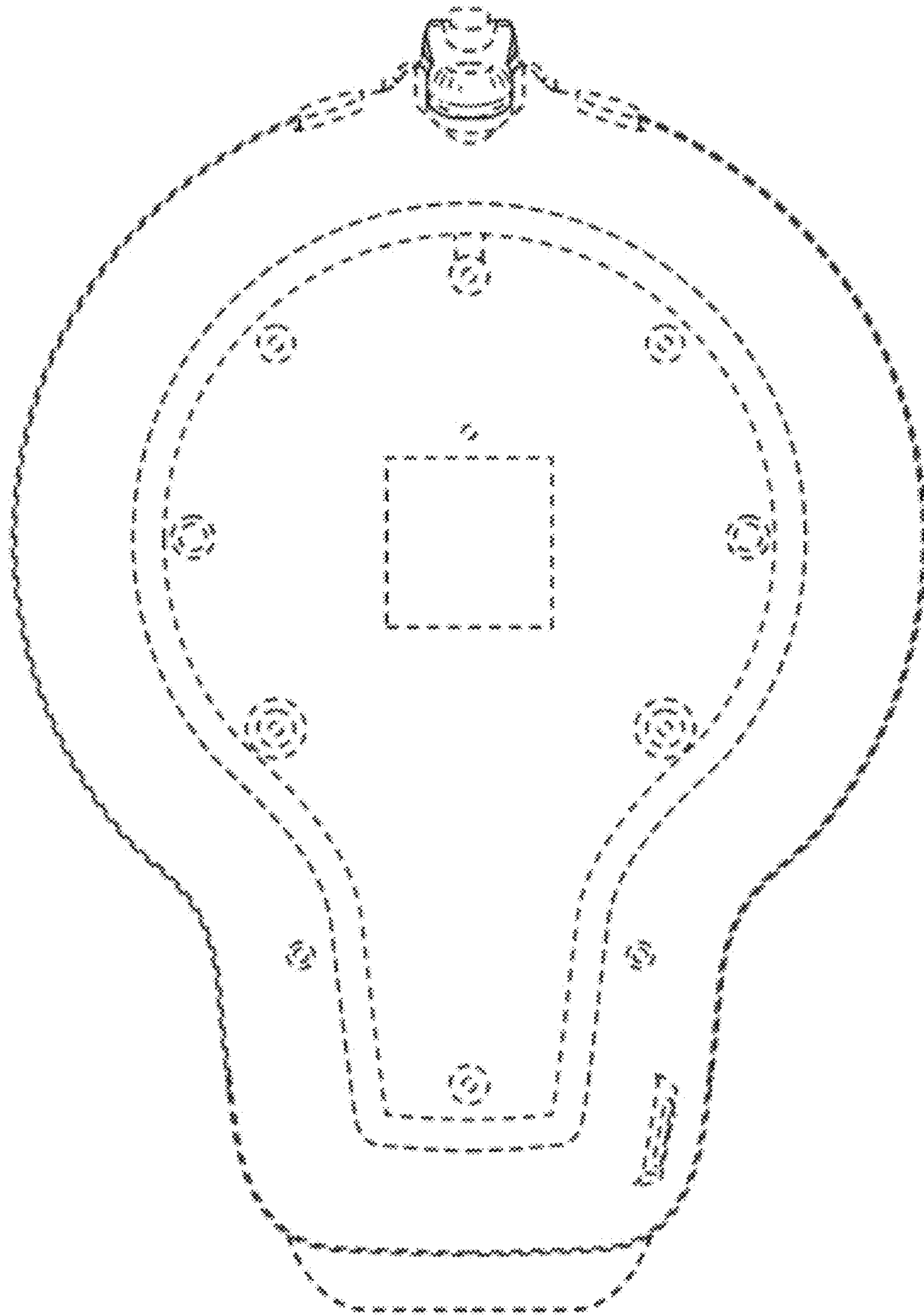


Fig. 4

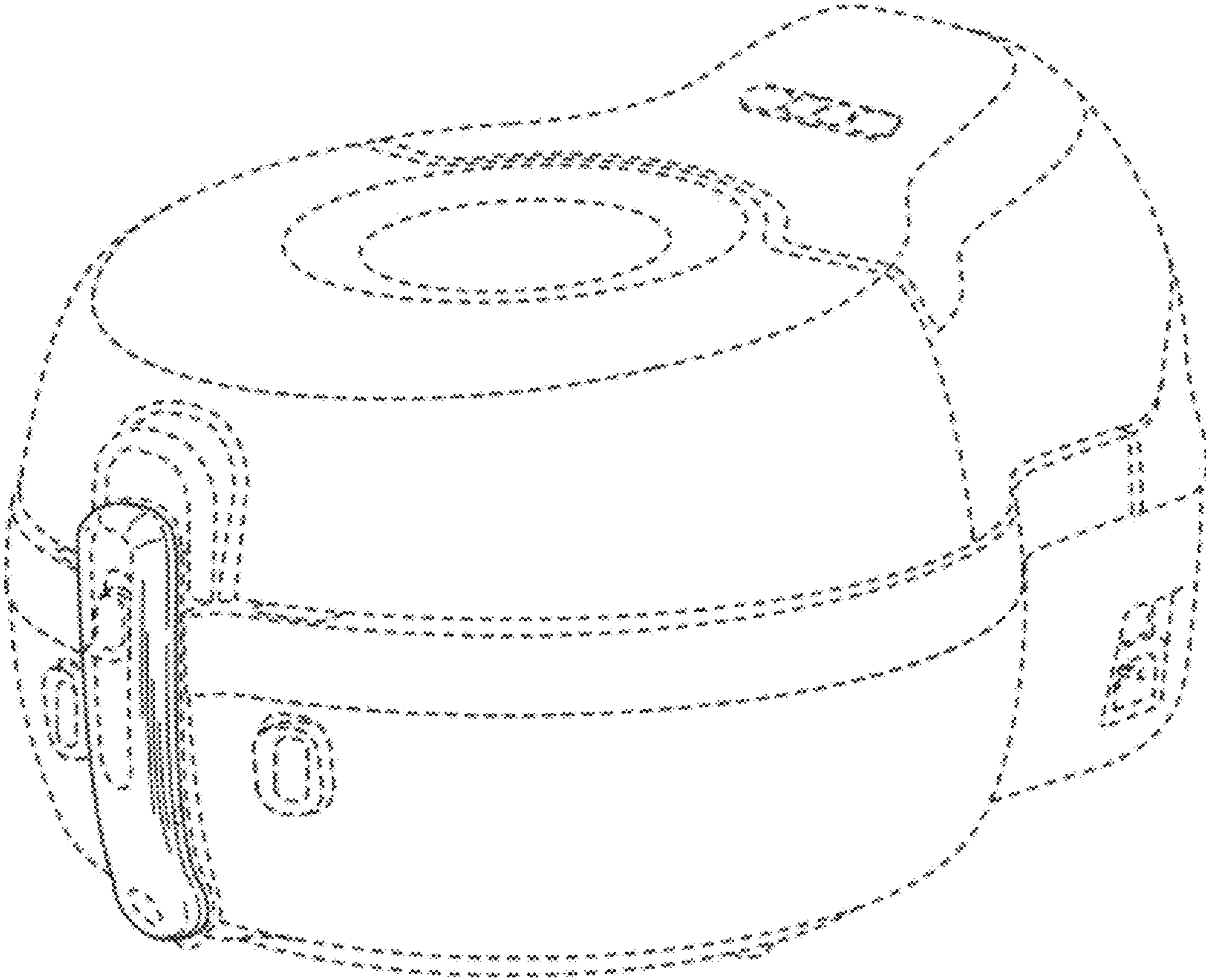


Fig. 5