

US00D664798S

(12) **United States Design Patent**  
**Haberer**

(10) **Patent No.:** **US D664,798 S**

(45) **Date of Patent:** **\*\* Aug. 7, 2012**

(54) **PET TOY ORGANIZER**

(56) **References Cited**

(76) **Inventor:** **Tina M. Haberer**, Perham, MN (US)

U.S. PATENT DOCUMENTS

(\*\*) **Term:** **14 Years**

D601,837 S *	10/2009	Evans .....	D6/553
D607,607 S *	1/2010	Russell .....	D6/567
D636,198 S *	4/2011	Gibbs .....	D6/513
D639,092 S *	6/2011	Lundy .....	D6/513

(21) **Appl. No.:** **29/390,068**

\* cited by examiner

(22) **Filed:** **Apr. 19, 2011**

*Primary Examiner* — Brian N Vinson

(51) **LOC (9) Cl.** ..... **06-04**

(57) **CLAIM**

I claim the ornamental design for a pet toy organizer, as shown and described.

(52) **U.S. Cl.** ..... **D6/567**

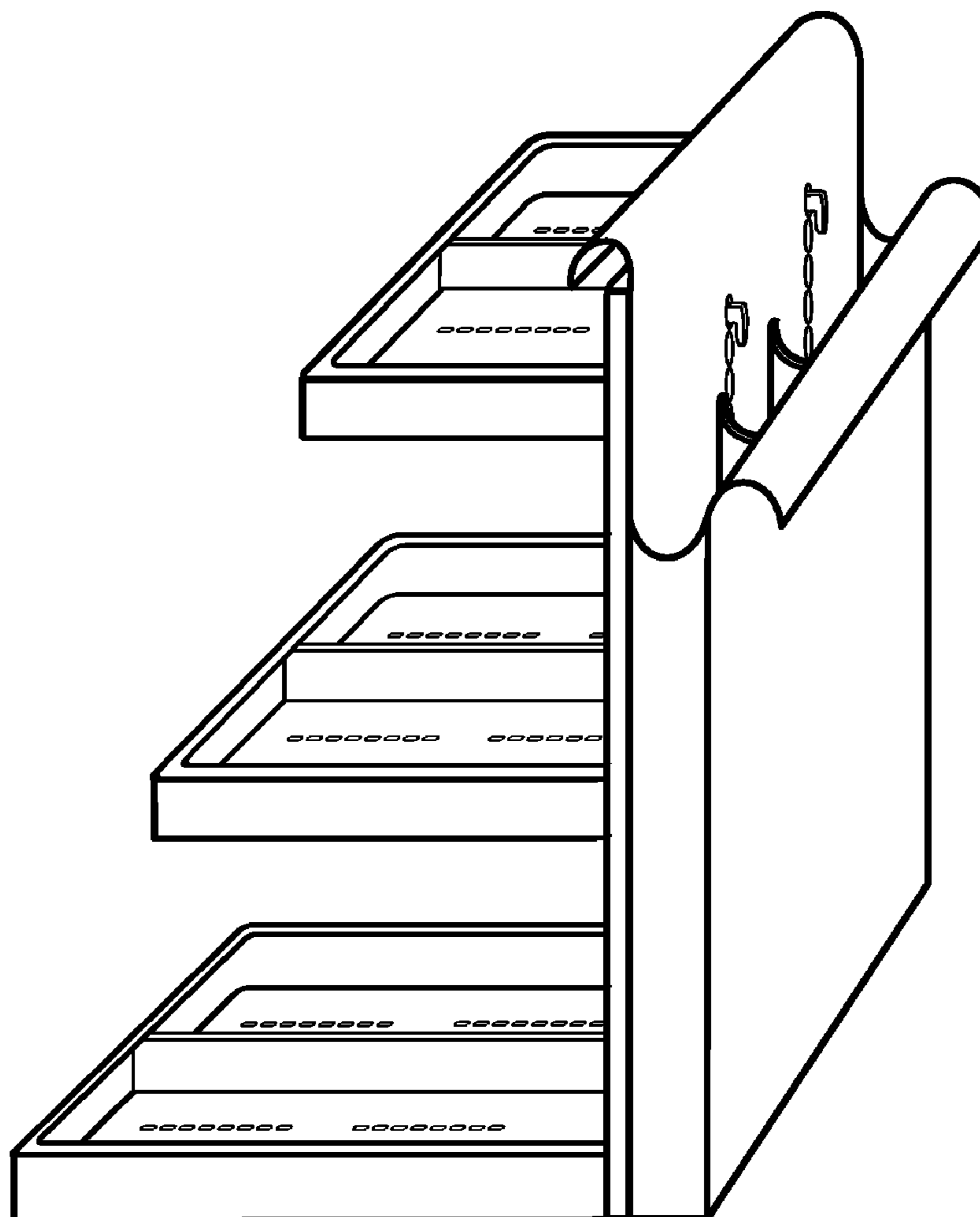
**DESCRIPTION**

(58) **Field of Classification Search** ..... D3/304,  
D3/306; 206/202, 513, 557; 211/13.1, 41.3,  
211/41.4, 86.01, 88.01, 134, 126.1, 181.1;  
248/302; 220/485, 488; D6/513, 553, 567,  
D6/525

FIG. 1 is a top, rear, and right side perspective view of a pet toy organizer showing my new design;  
FIG. 2 is an enlarged right side elevational view thereof; and,  
FIG. 3 is an enlarged front elevational view thereof.

See application file for complete search history.

**1 Claim, 3 Drawing Sheets**



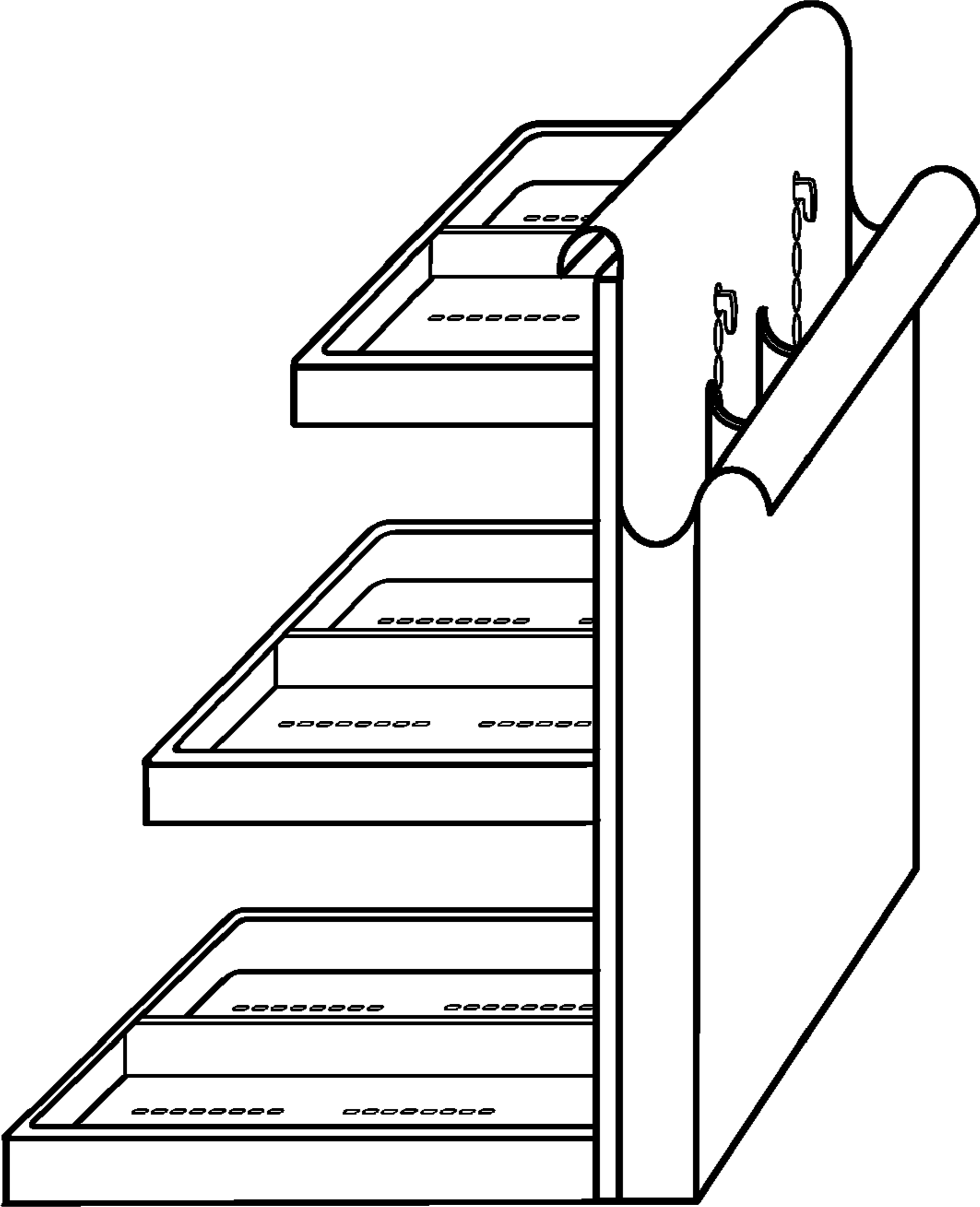


FIG. 1

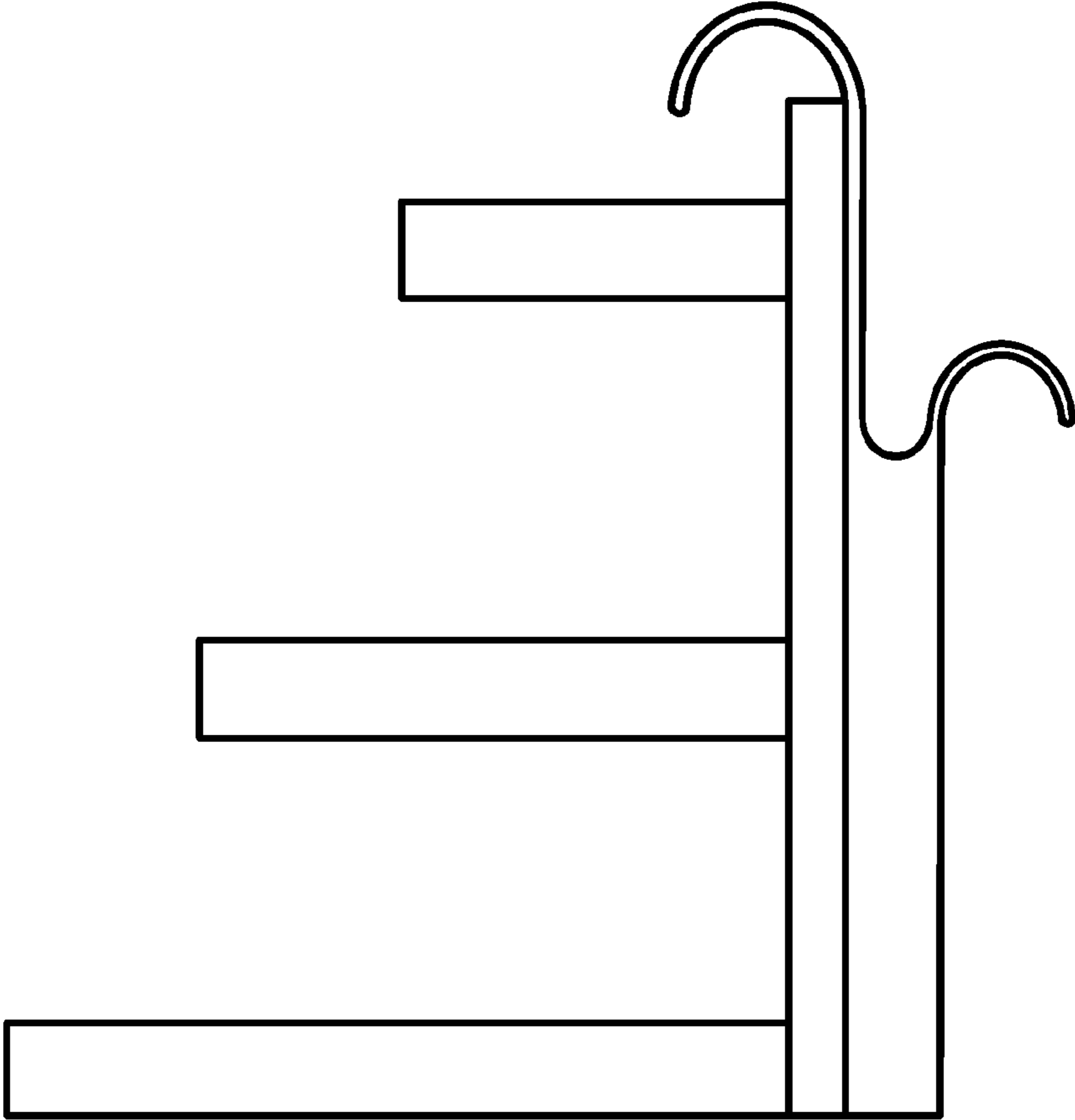


FIG. 2

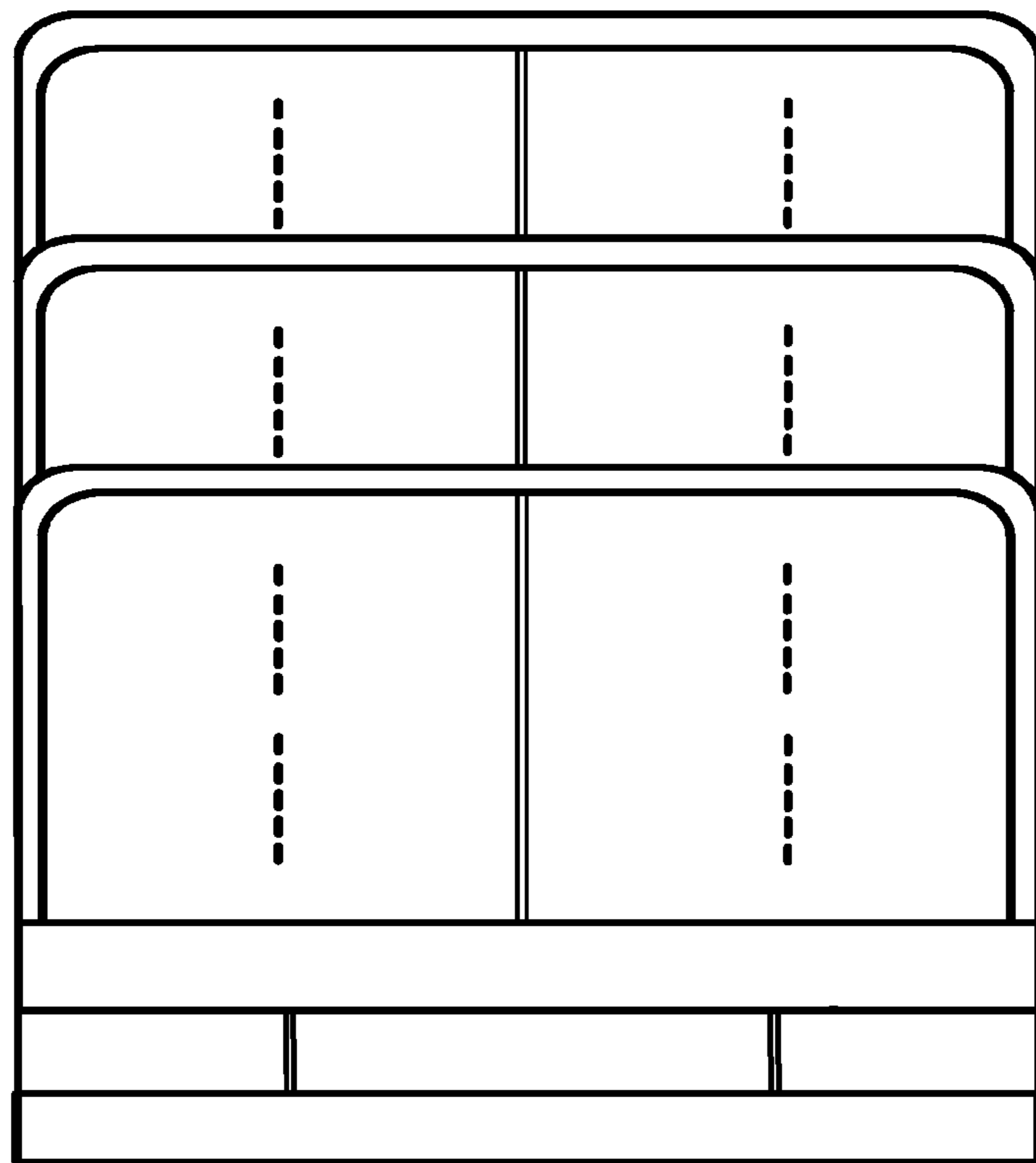


FIG. 3