



US00D664797S

(12) **United States Design Patent**
Kwok et al.

(10) **Patent No.:** **US D664,797 S**

(45) **Date of Patent:** **** Aug. 7, 2012**

(54) **TISSUE HOLDER**

(75) Inventors: **Celine Kwok**, Carmel, IN (US); **Seth Fritz**, Carmel, IN (US)

(73) Assignee: **Masco Corporation of Indiana**, Indianapolis, IN (US)

(**) Term: **14 Years**

(21) Appl. No.: **29/400,459**

(22) Filed: **Aug. 29, 2011**

(51) **LOC (9) Cl.** **23-02**

(52) **U.S. Cl.** **D6/523**

(58) **Field of Classification Search** D6/518-524,
D6/546-550; 108/28-29; 211/13.1, 16,
211/60.1, 86.01, 87.01, 88.01, 88.04, 100,
211/105.1, 105.2, 123, 181.1, 182; 248/175,
248/176.1, 251, 302; 16/110.1, 415; 242/570,
242/590, 595-598; D8/300, 303, 315-321

See application file for complete search history.

(56) **References Cited**

U.S. PATENT DOCUMENTS

6,305,558	B1 *	10/2001	Bates	211/105.1
D460,650	S *	7/2002	Snell	D6/523
D477,167	S *	7/2003	Hoernig	D6/523
D540,593	S *	4/2007	Hoernig	D6/523
D562,605	S *	2/2008	Hoernig	D6/523

* cited by examiner

Primary Examiner — Brian N Vinson

(74) *Attorney, Agent, or Firm* — Edgar A. Zarins; Nirav D. Parikh; Lora J. Graentzdoerffer

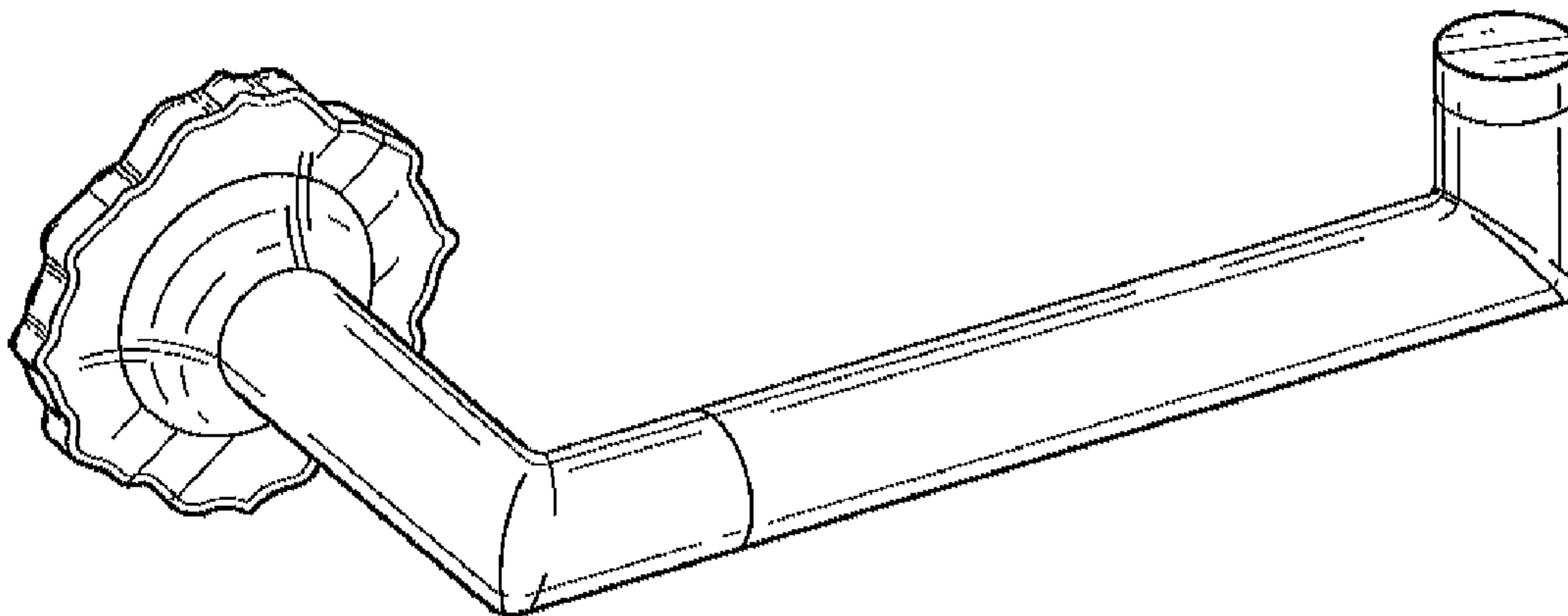
(57) **CLAIM**

The ornamental design for a tissue holder, as shown and described.

DESCRIPTION

FIG. 1 is a perspective view of a tissue holder showing our new design;
FIG. 2 is a front elevational view thereof;
FIG. 3 is a left side view thereof;
FIG. 4 is a right side view thereof;
FIG. 5 is a bottom view thereof; and,
FIG. 6 is a top view thereof.

1 Claim, 2 Drawing Sheets



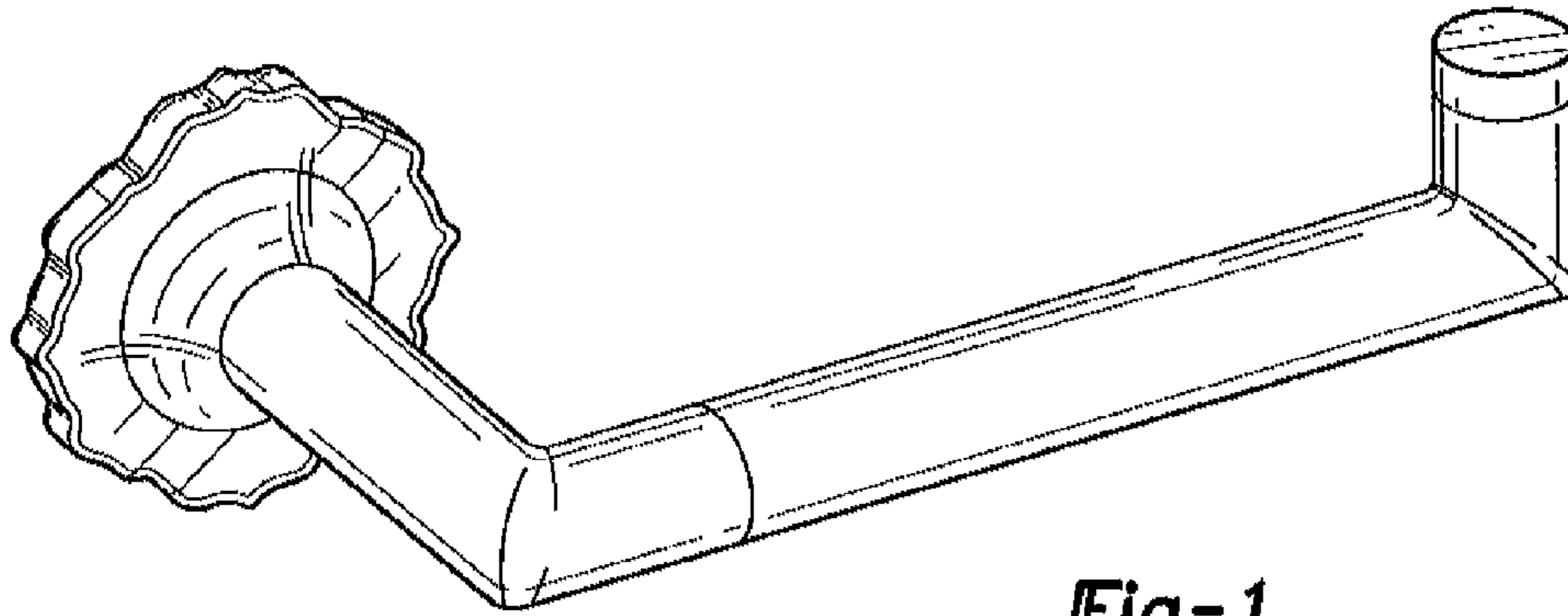


Fig-1



Fig-2

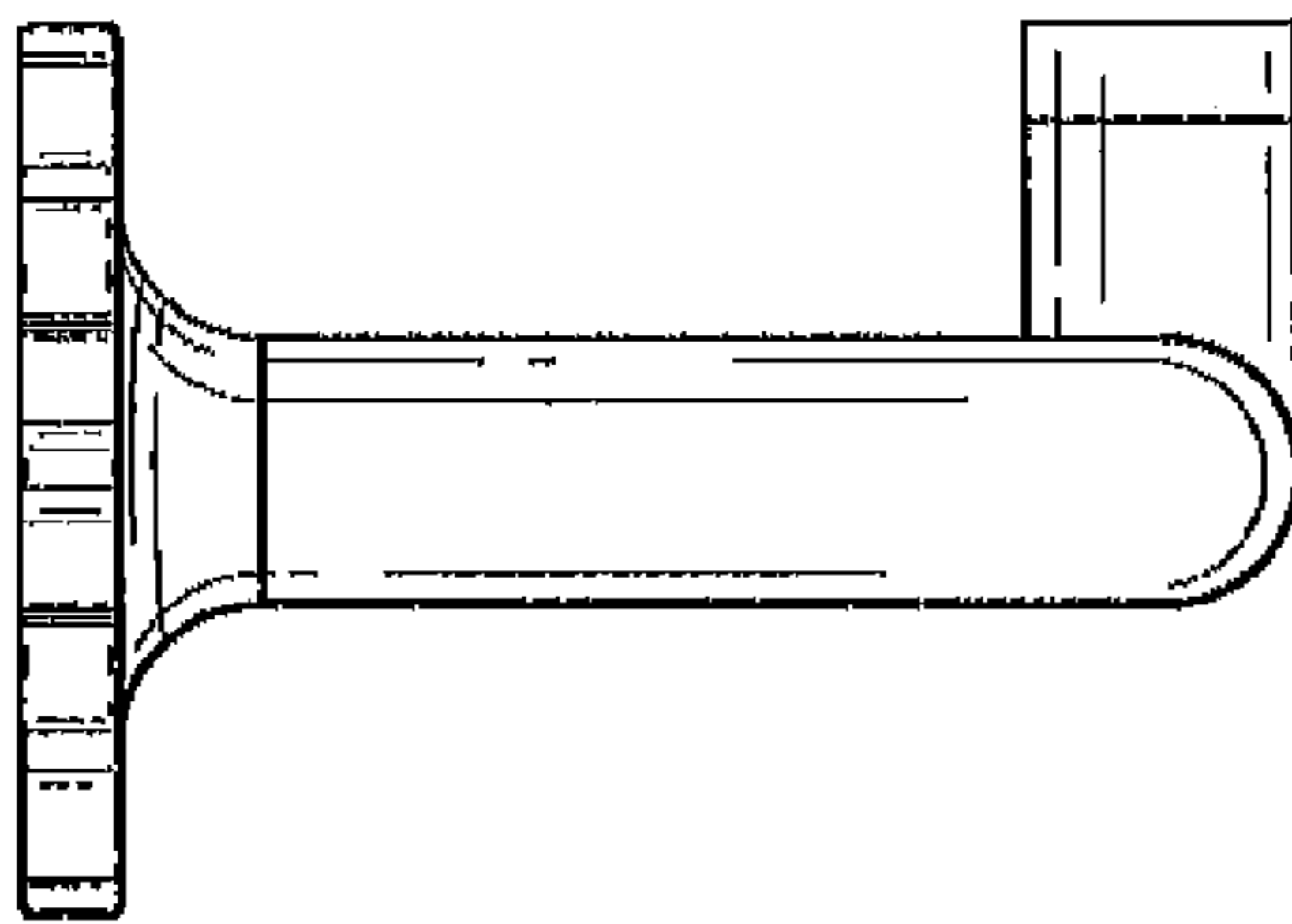


Fig-3

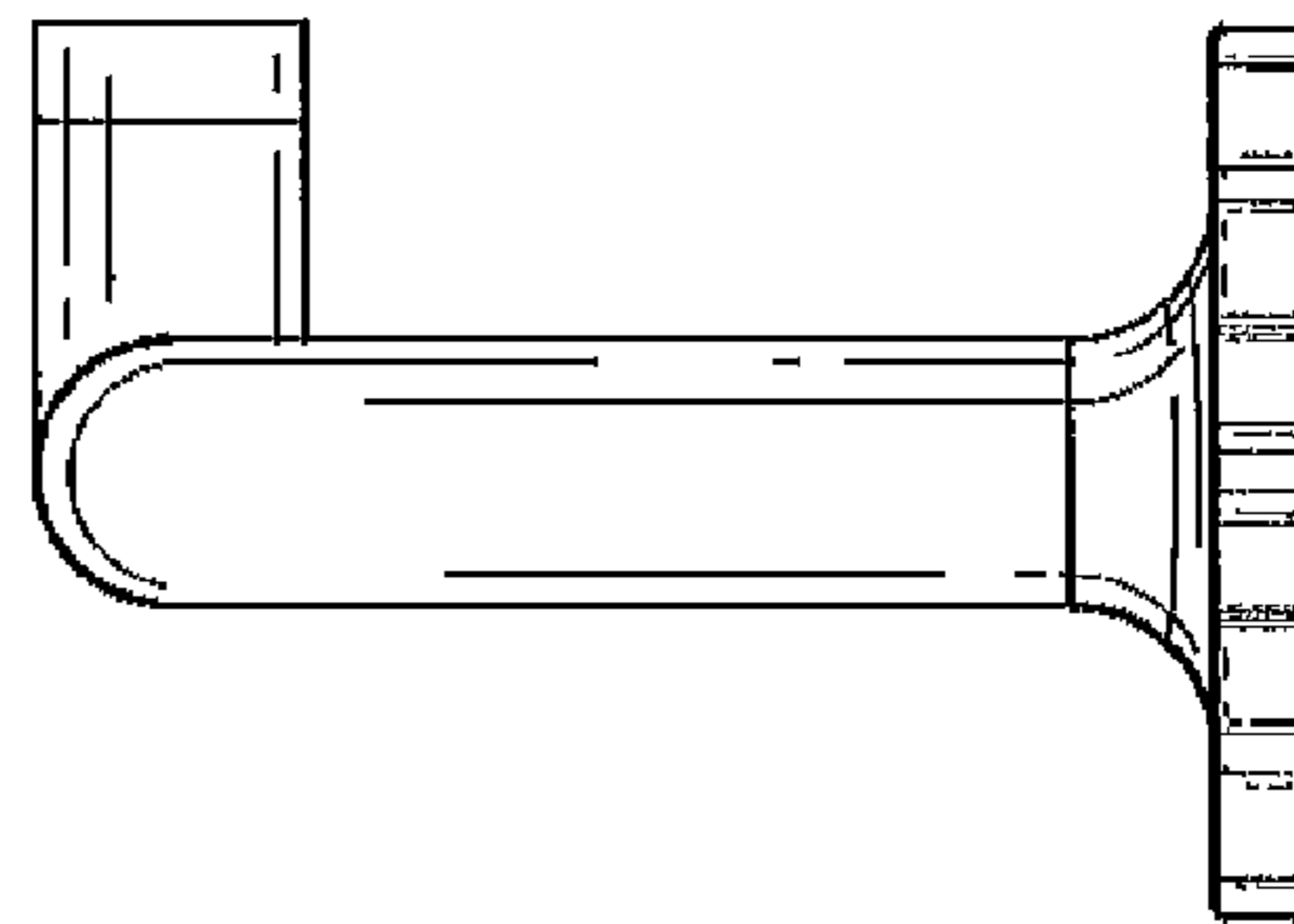


Fig-4

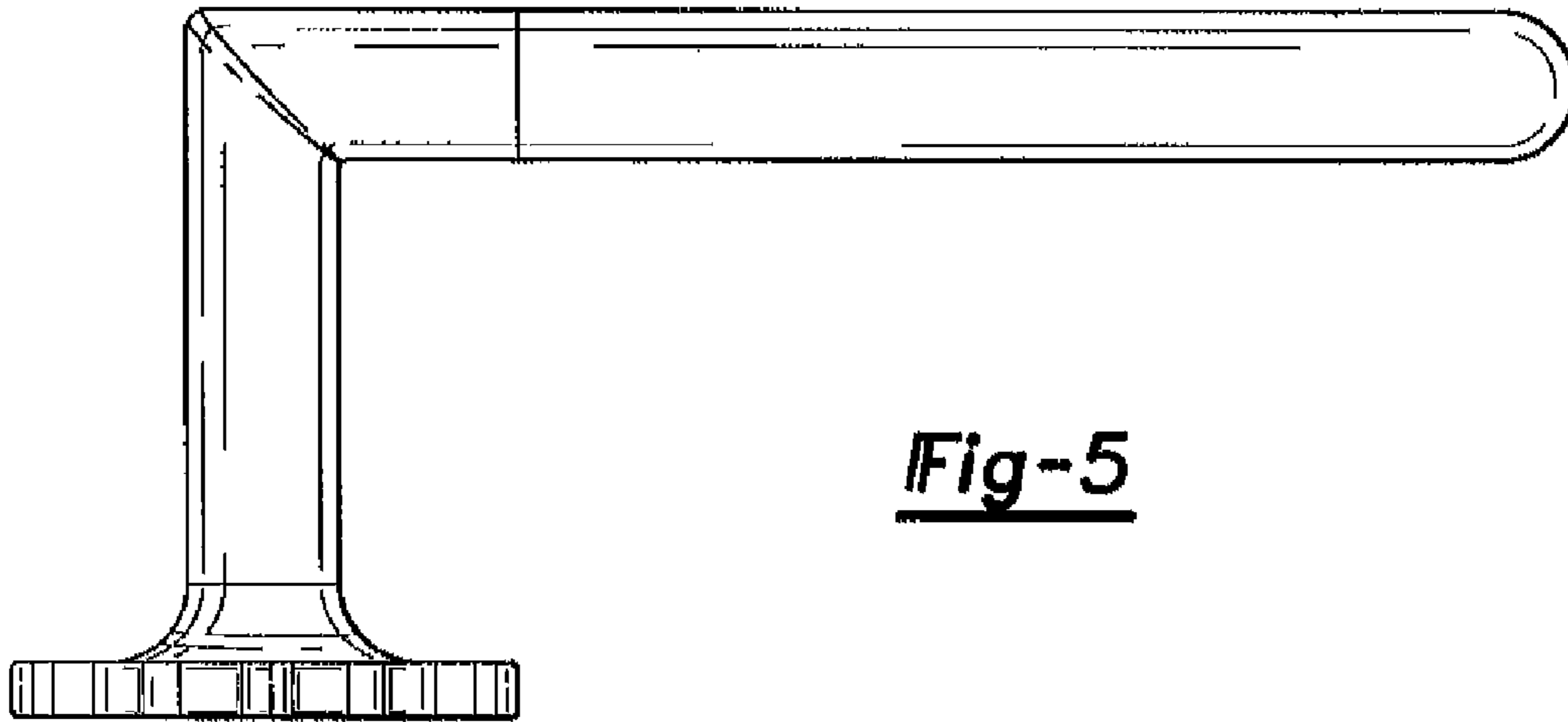


Fig-5

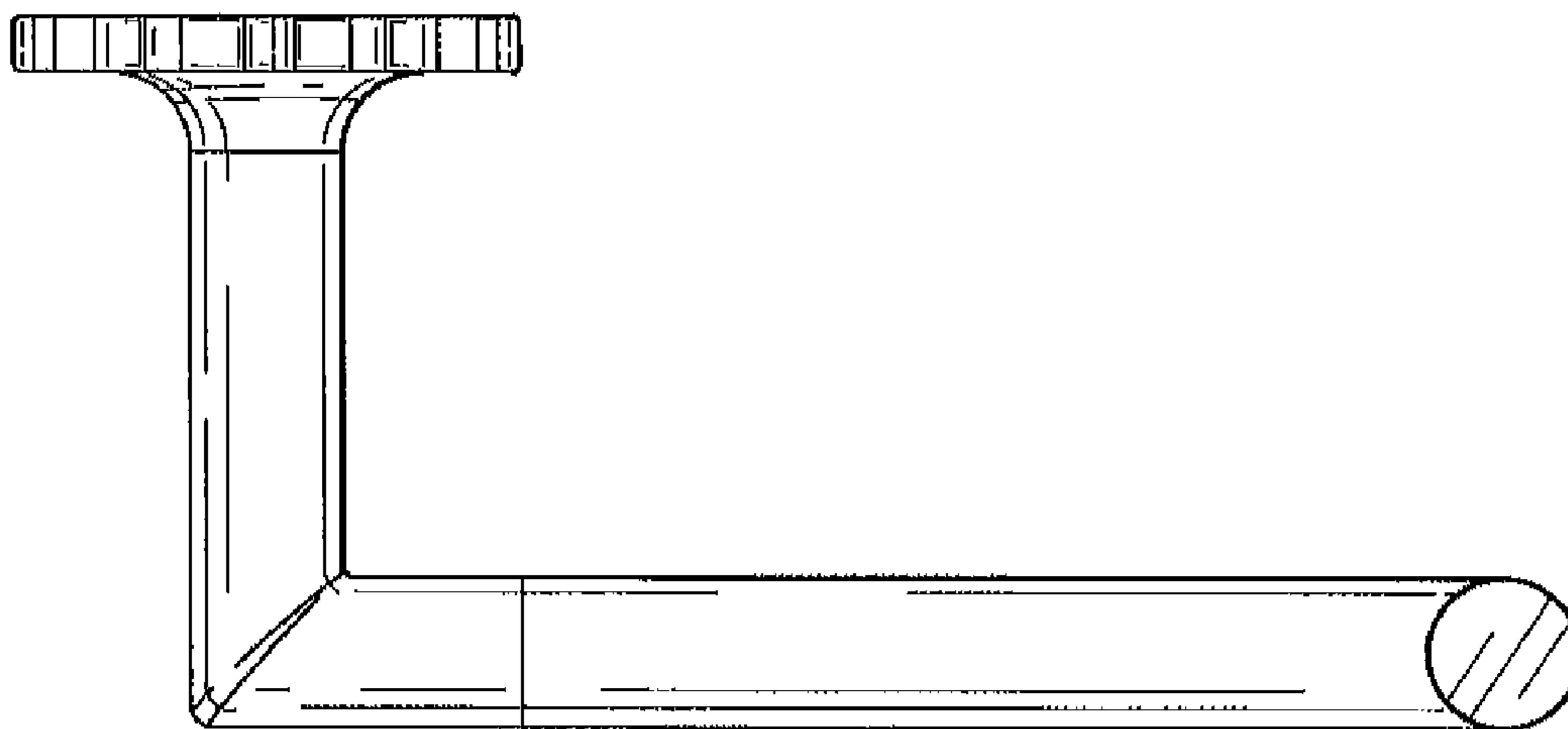


Fig-6