

US00D664796S

(12) **United States Design Patent**
Cattacin et al.

(10) **Patent No.:** **US D664,796 S**

(45) **Date of Patent:** **** Aug. 7, 2012**

(54) **PAPER DISPENSER**

(75) Inventors: **Gilles Cattacin**, Colmar (FR); **Yves Stoeffler**, Strasbourg (FR); **Yoann Denis**, Selestat (FR); **Eric Denis**, Lyons (FR)

(73) Assignee: **Georgia-Pacific France** (FR)

(**) Term: **14 Years**

(21) Appl. No.: **29/407,396**

(22) Filed: **Nov. 29, 2011**

(30) **Foreign Application Priority Data**

May 31, 2011 (EM) 001278691

(51) **LOC (9) Cl.** **20-02**

(52) **U.S. Cl.** **D6/518**

(58) **Field of Classification Search** D6/515-523;
206/225, 233, 389, 391; 211/13.1, 45; 242/570,
242/590; 248/309.1, 309.2, 905; 221/26,
221/33, 282-283; 222/173, 180

See application file for complete search history.

(56) **References Cited**

U.S. PATENT DOCUMENTS

D461,983 S *	8/2002	Omdoll et al.	D6/522
D547,581 S	7/2007	Cittadino et al.		
D551,474 S	9/2007	Cittadino et al.		
D551,475 S	9/2007	Cittadino et al.		
D560,939 S *	2/2008	Valot	D6/522
D569,151 S	5/2008	Cittadino et al.		
D572,058 S	7/2008	Cittadino et al.		
D579,250 S	10/2008	Cittadino et al.		
D583,174 S *	12/2008	Kuehneman et al.	D6/522
D585,223 S *	1/2009	Rust	D6/515
7,568,652 B2	8/2009	Cittadino et al.		
D619,836 S	7/2010	Kim		

D619,837 S	7/2010	Kim		
D619,838 S *	7/2010	Kim	D6/518
D620,292 S	7/2010	Kim		
D620,733 S	8/2010	Denis et al.		
D624,340 S *	9/2010	Benedetti	D6/522
D649,820 S *	12/2011	Stutzel	D6/518
2008/0128448 A1	6/2008	Cittadino et al.		

* cited by examiner

Primary Examiner — Brian N Vinson

(74) *Attorney, Agent, or Firm* — Deborah K. Butler

(57) **CLAIM**

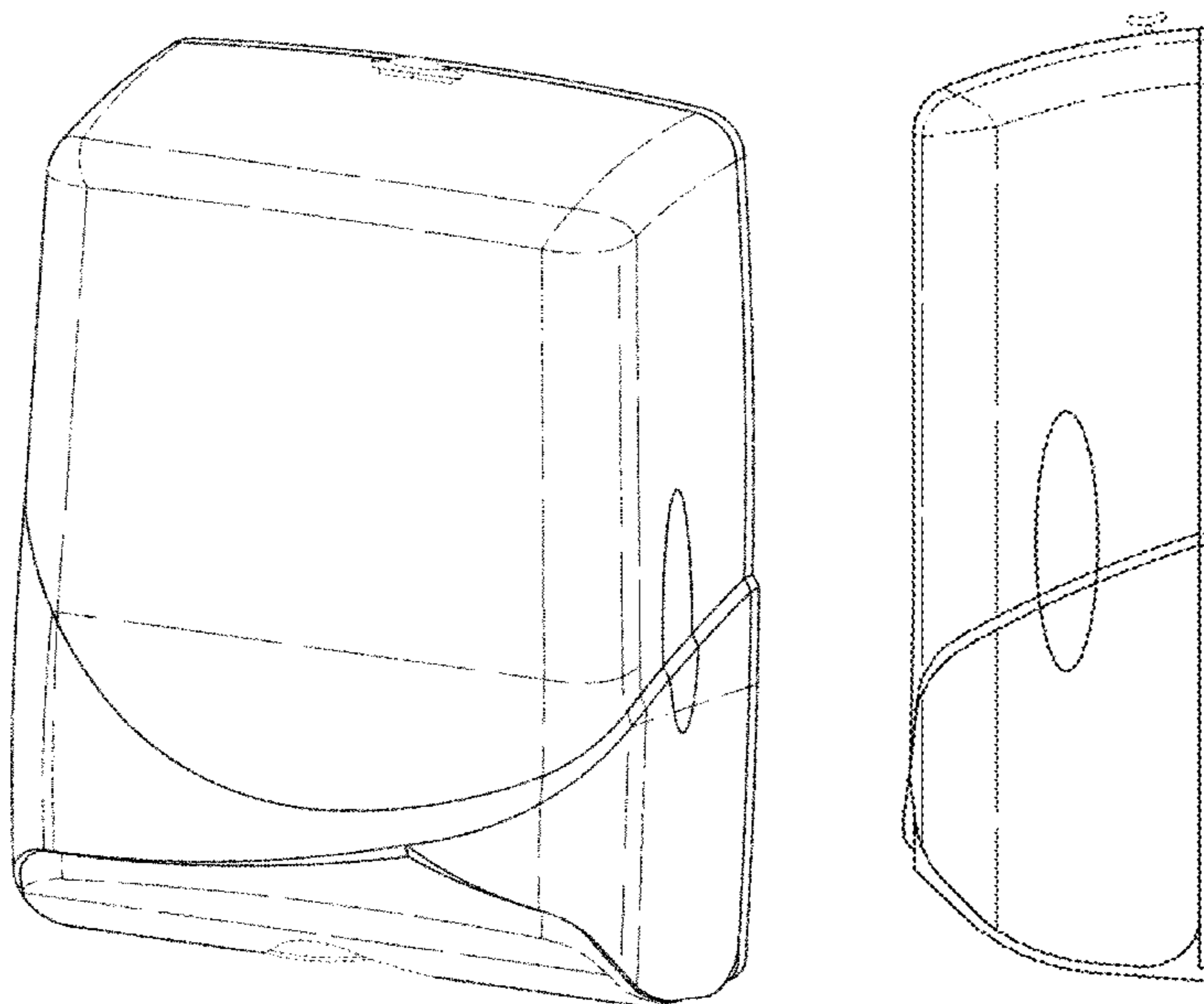
The ornamental design for a paper dispenser, as shown and described.

DESCRIPTION

FIG. 1 is a top, front, and right side perspective view of a first embodiment of a paper dispenser showing our new design; FIG. 2 is a front elevational view thereof; FIG. 3 is a top plan view thereof; FIG. 4 is a bottom plan view thereof; FIG. 5 is a left side elevational view thereof; FIG. 6 is a right side elevational view thereof; FIG. 7 is a rear elevational view thereof; FIG. 8 is a top, front, and right side perspective view of a second embodiment of a paper dispenser showing our new design; FIG. 9 is a front elevational view thereof; FIG. 10 is a top plan view thereof; FIG. 11 is a bottom plan view thereof; FIG. 12 is a left side elevational view thereof; FIG. 13 is a right side elevational view thereof; and, FIG. 14 is a rear elevational view thereof.

The broken line disclosure is understood to represent portions of the article in which the claimed design is embodied, but which form no part of the claimed design.

1 Claim, 10 Drawing Sheets



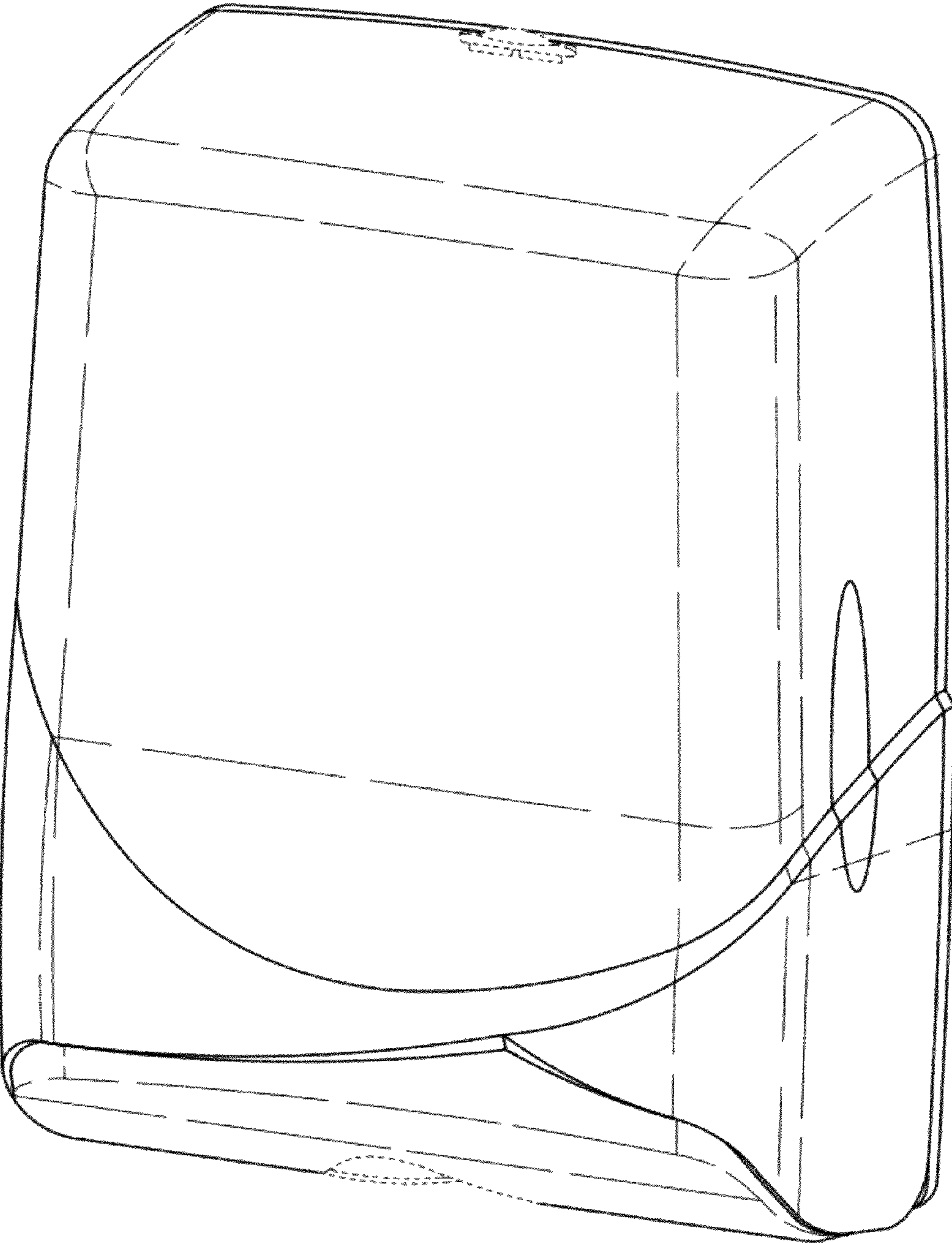


Fig. 1

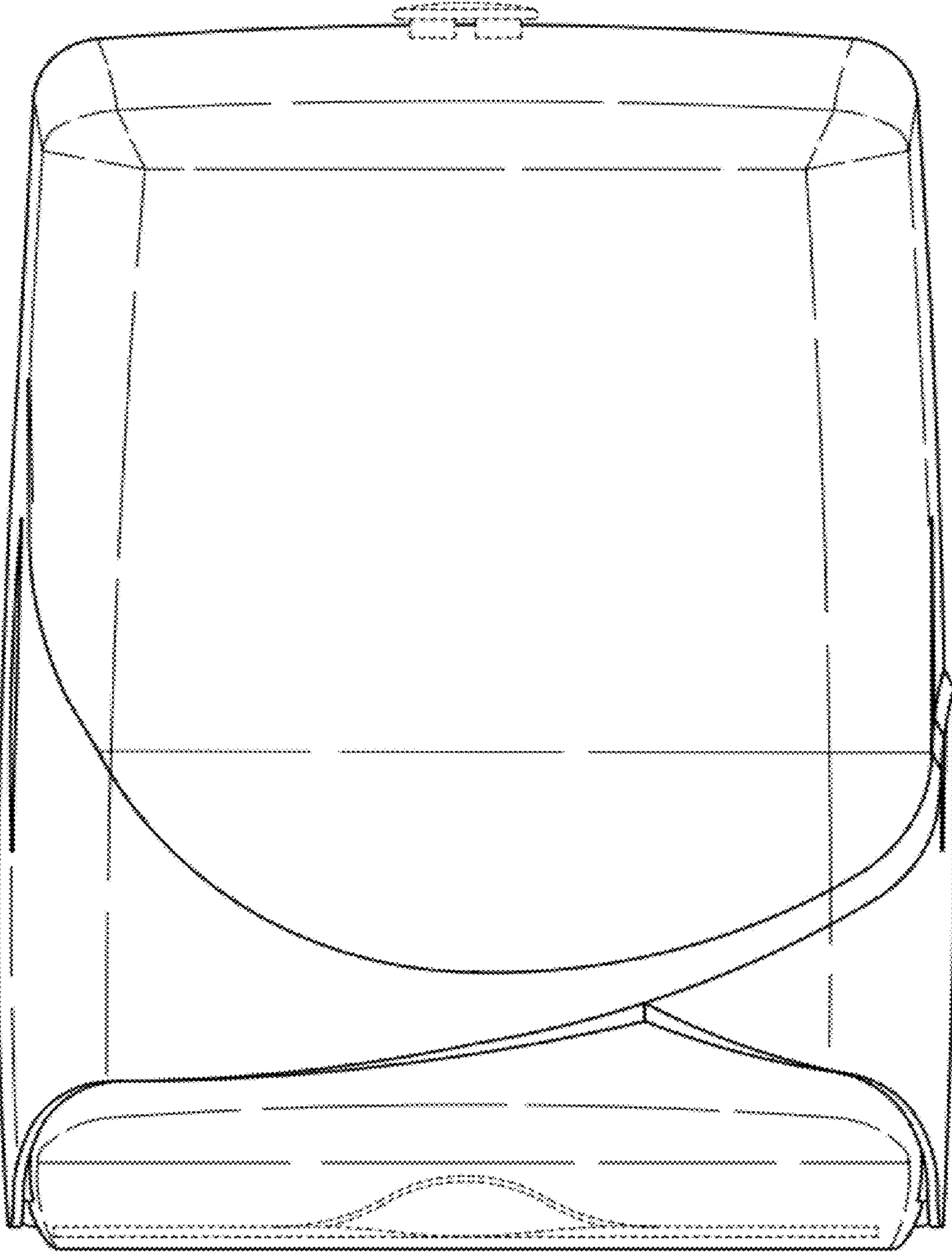


Fig. 2

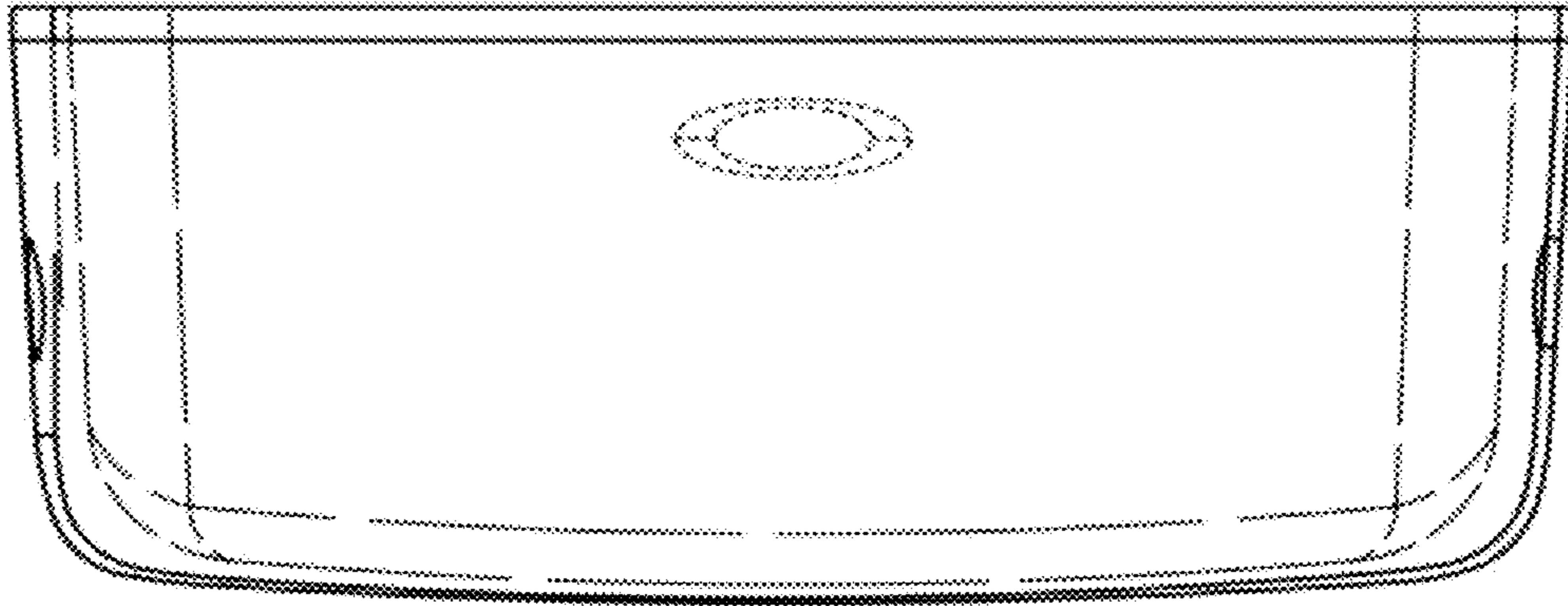


Fig. 3

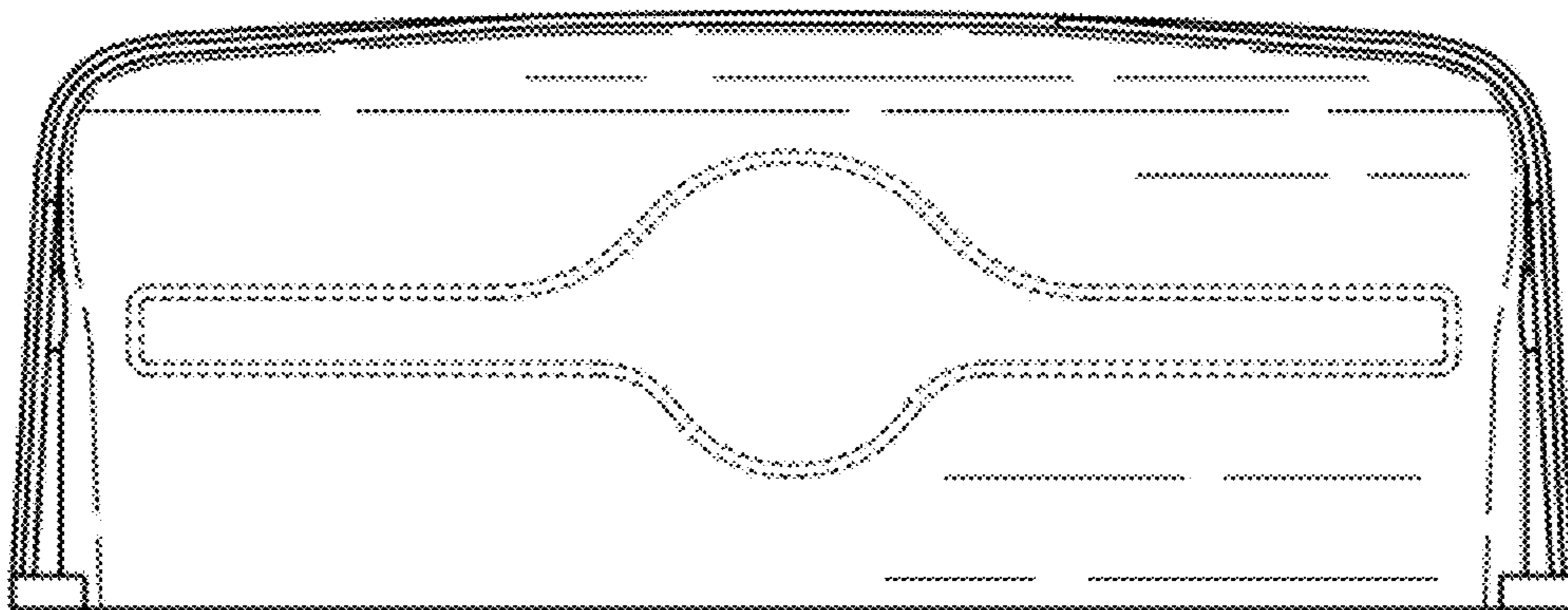


Fig. 4

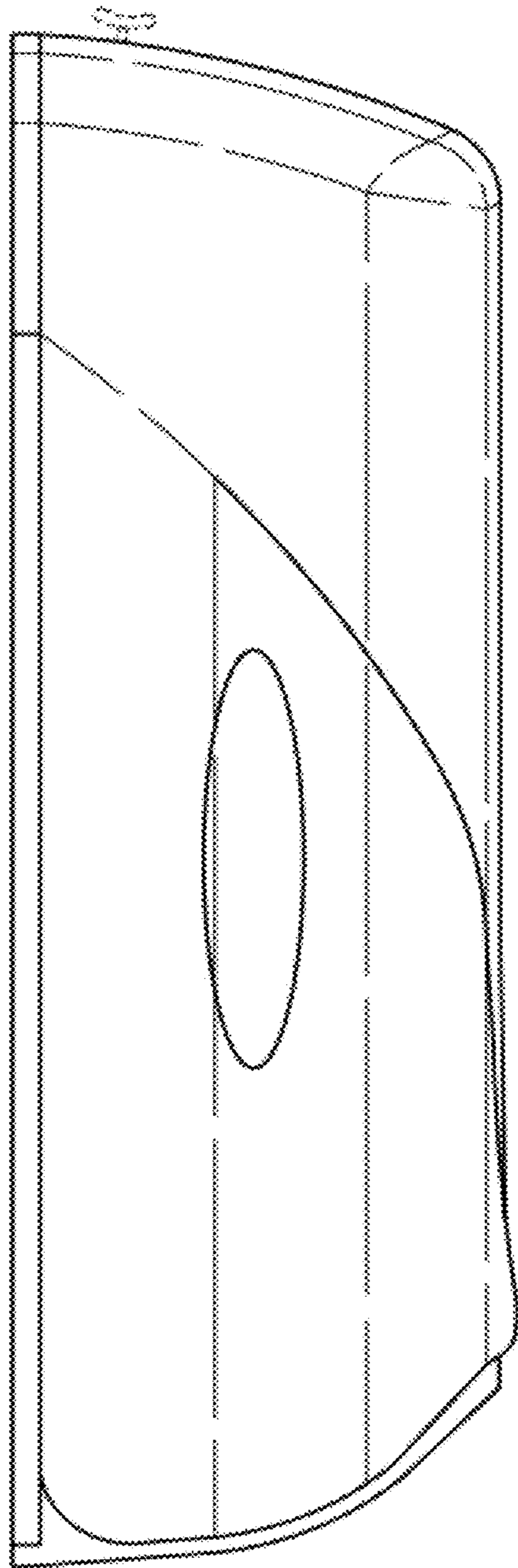


Fig. 5

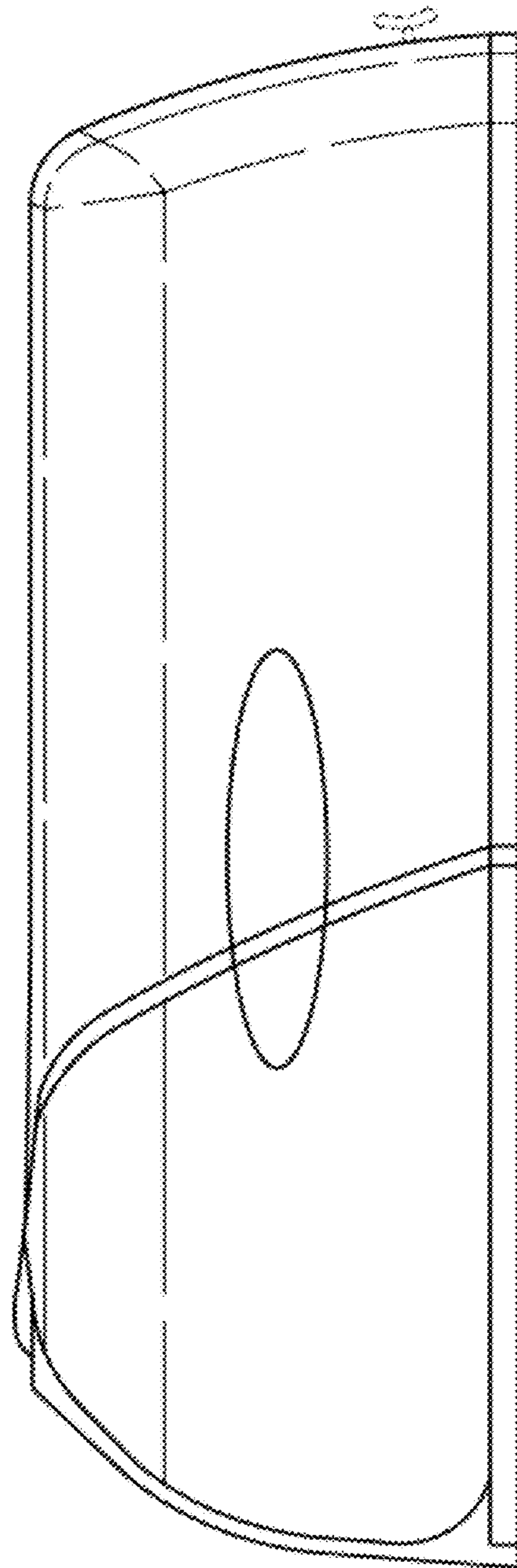


Fig. 6

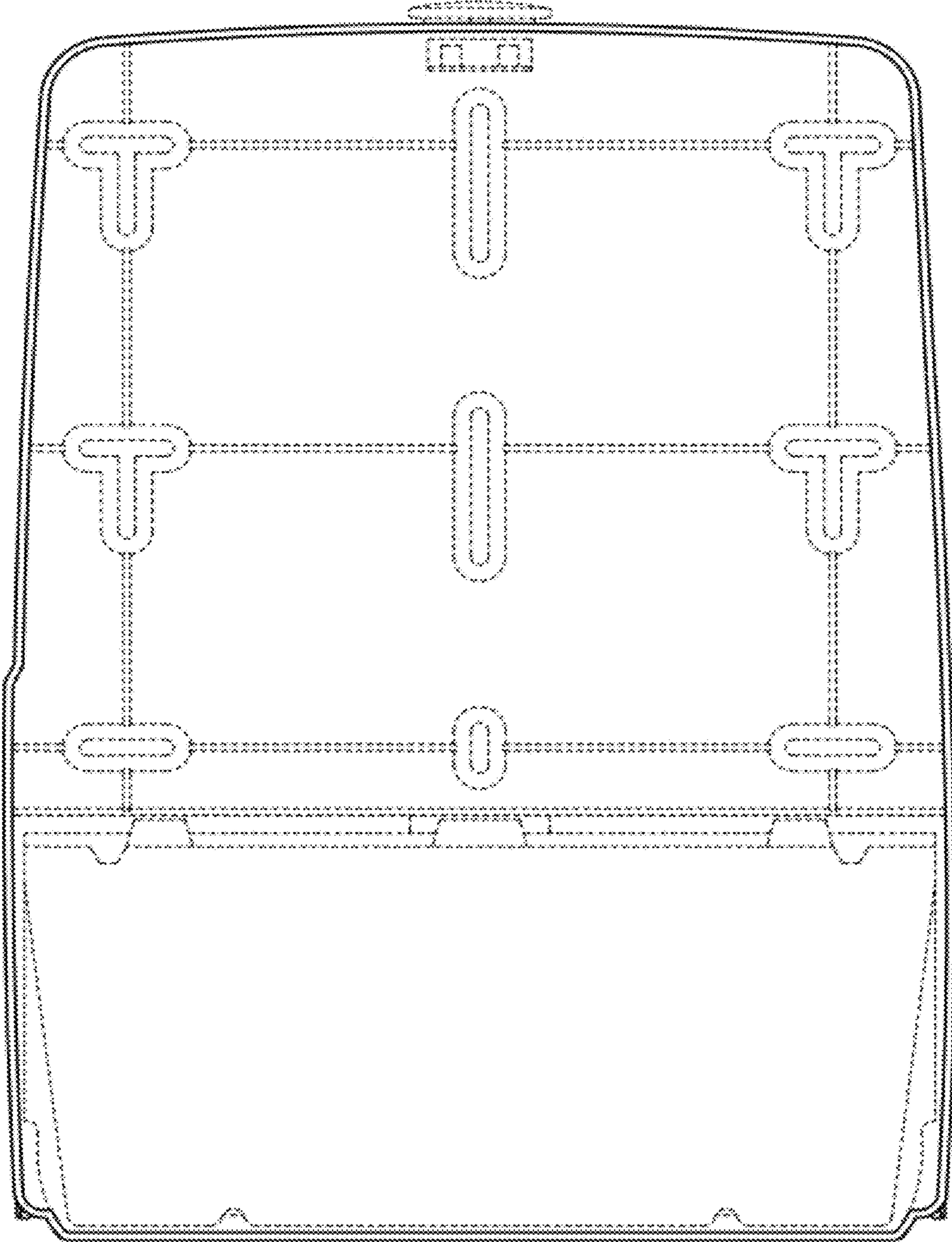


Fig. 7

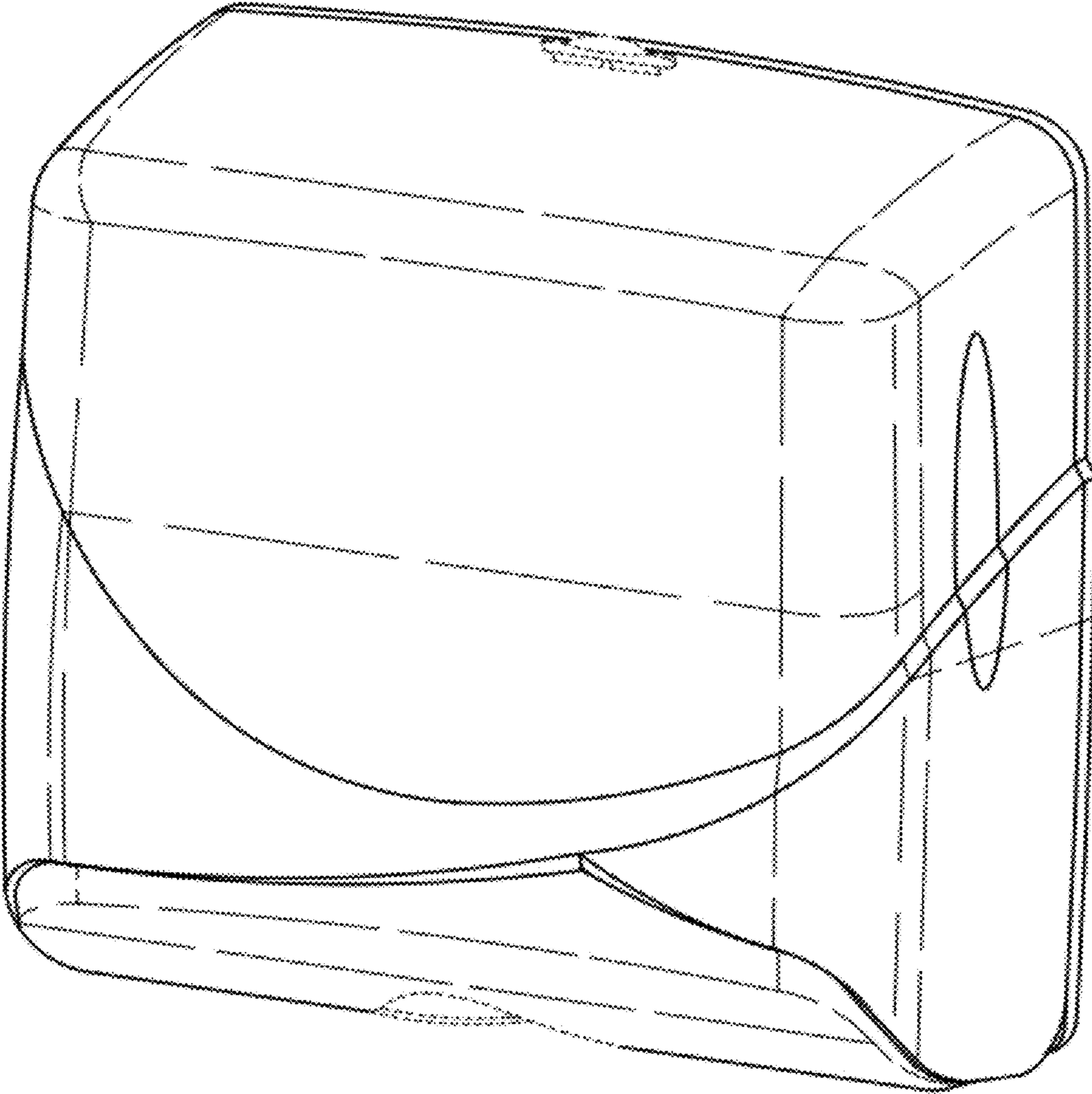


Fig. 8

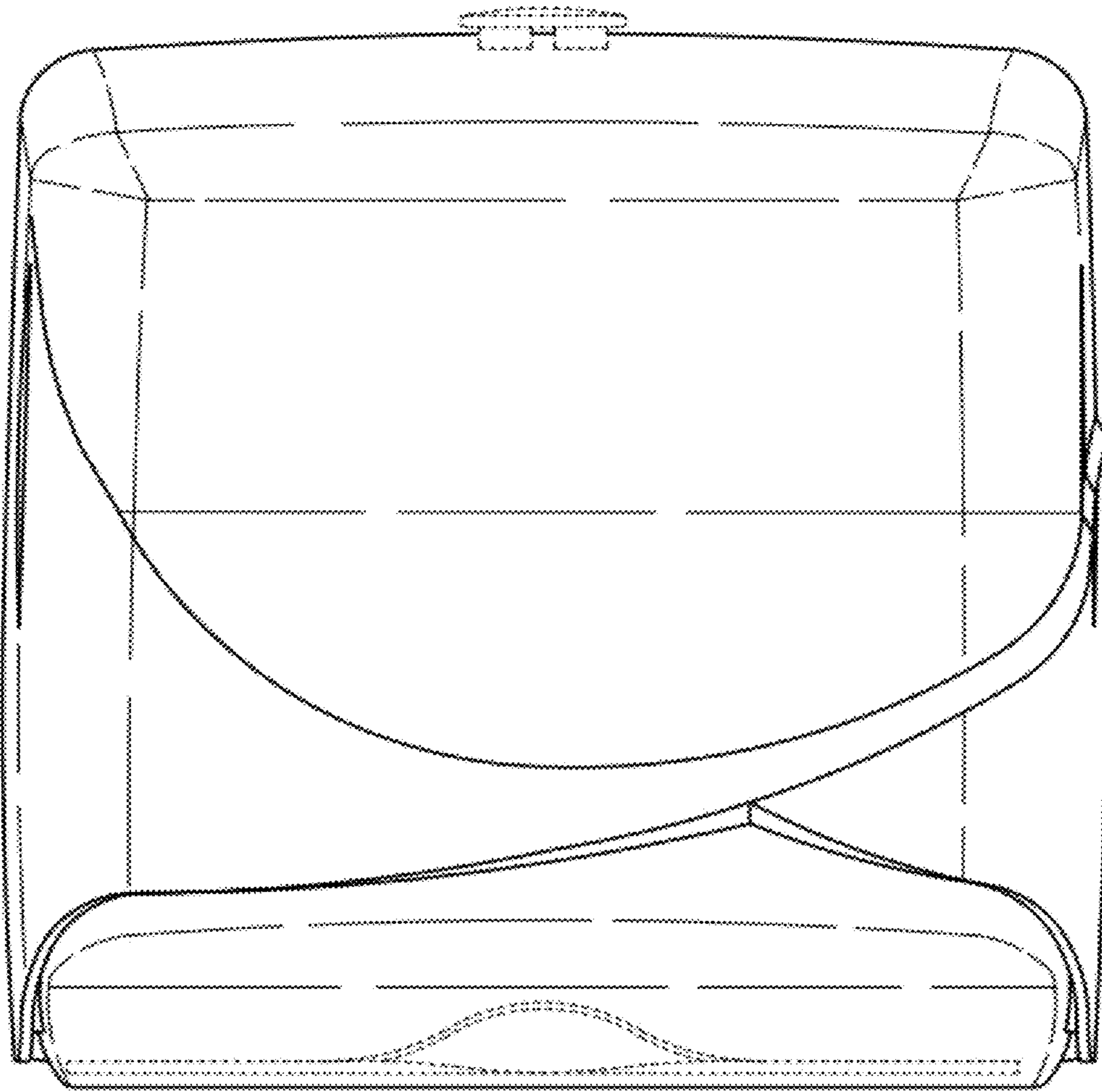


Fig. 9

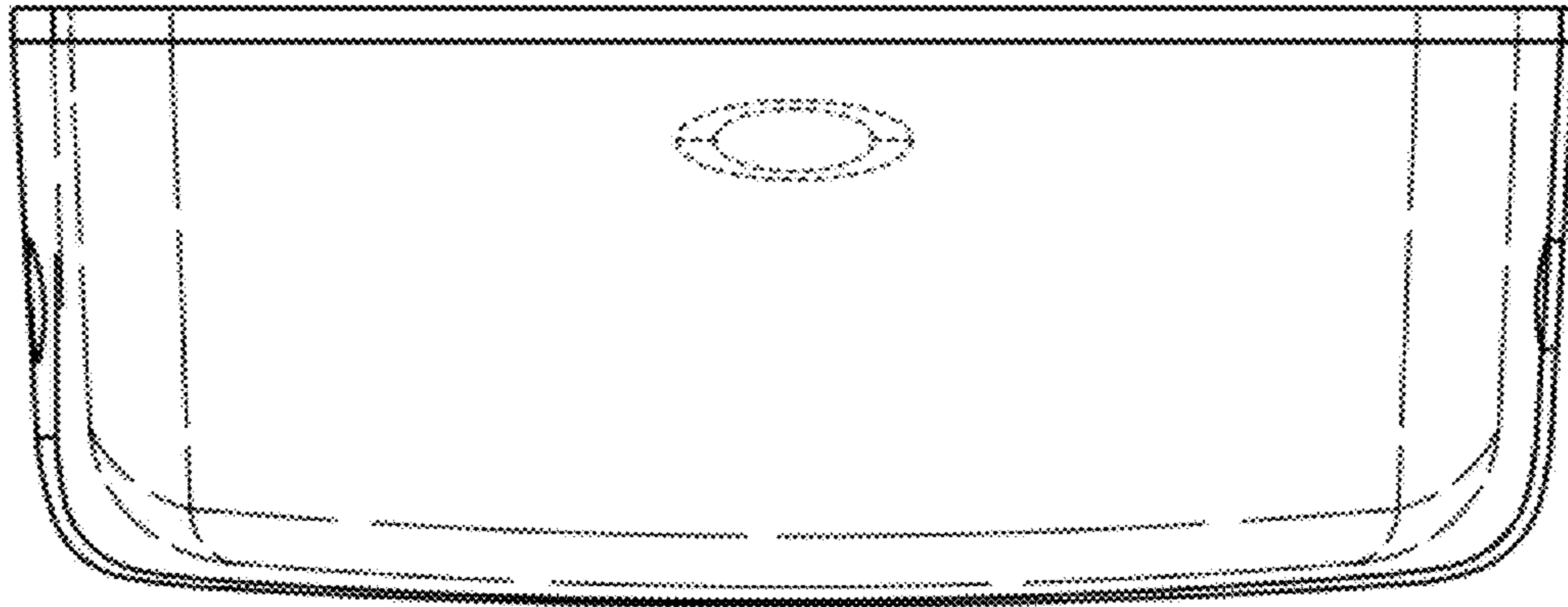


Fig. 10

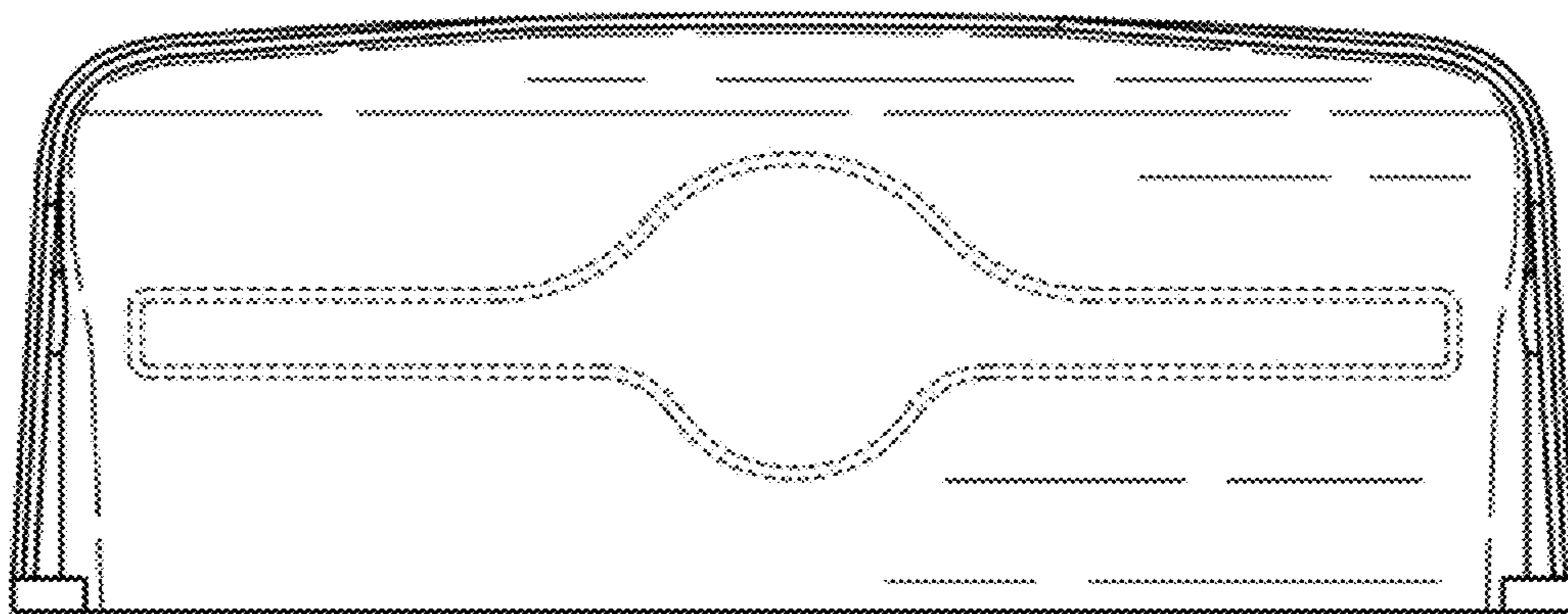


Fig. 11

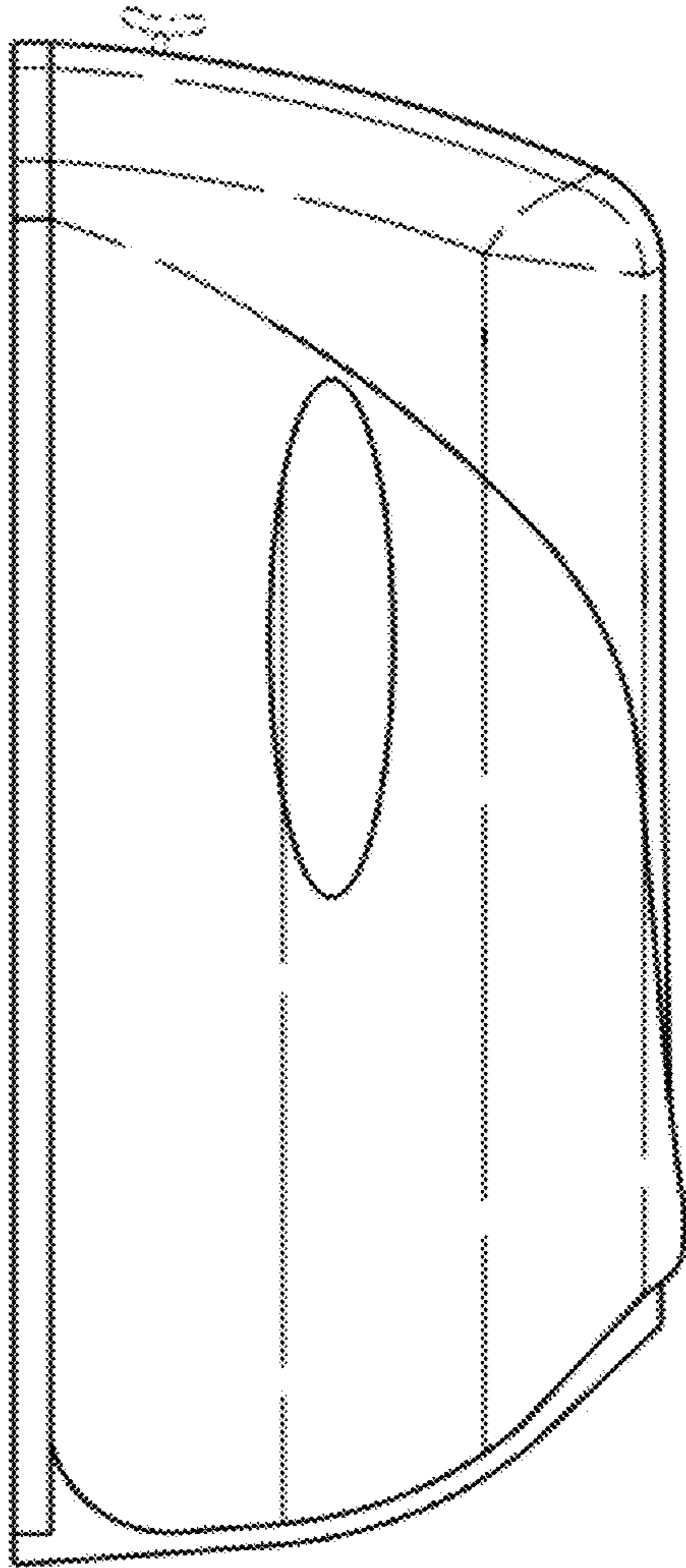


Fig. 12

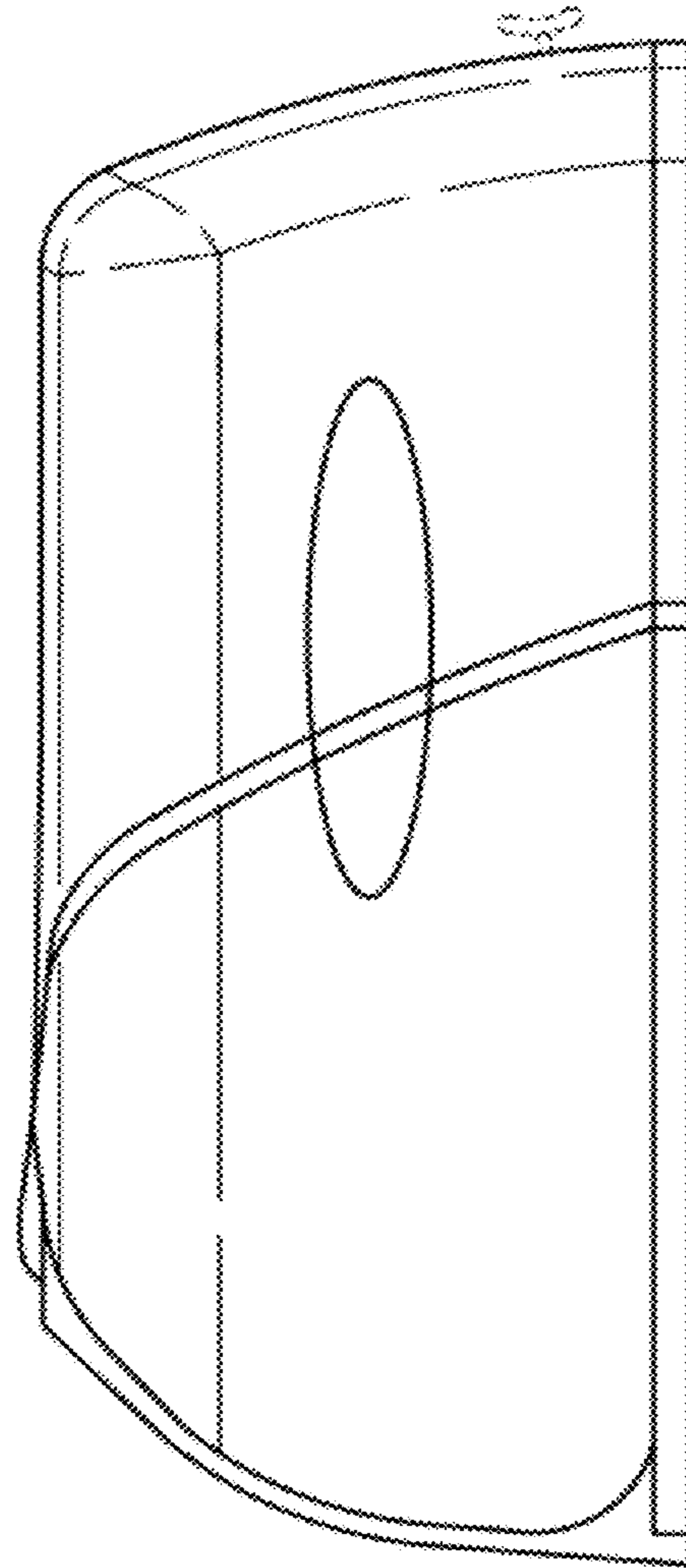


Fig. 13

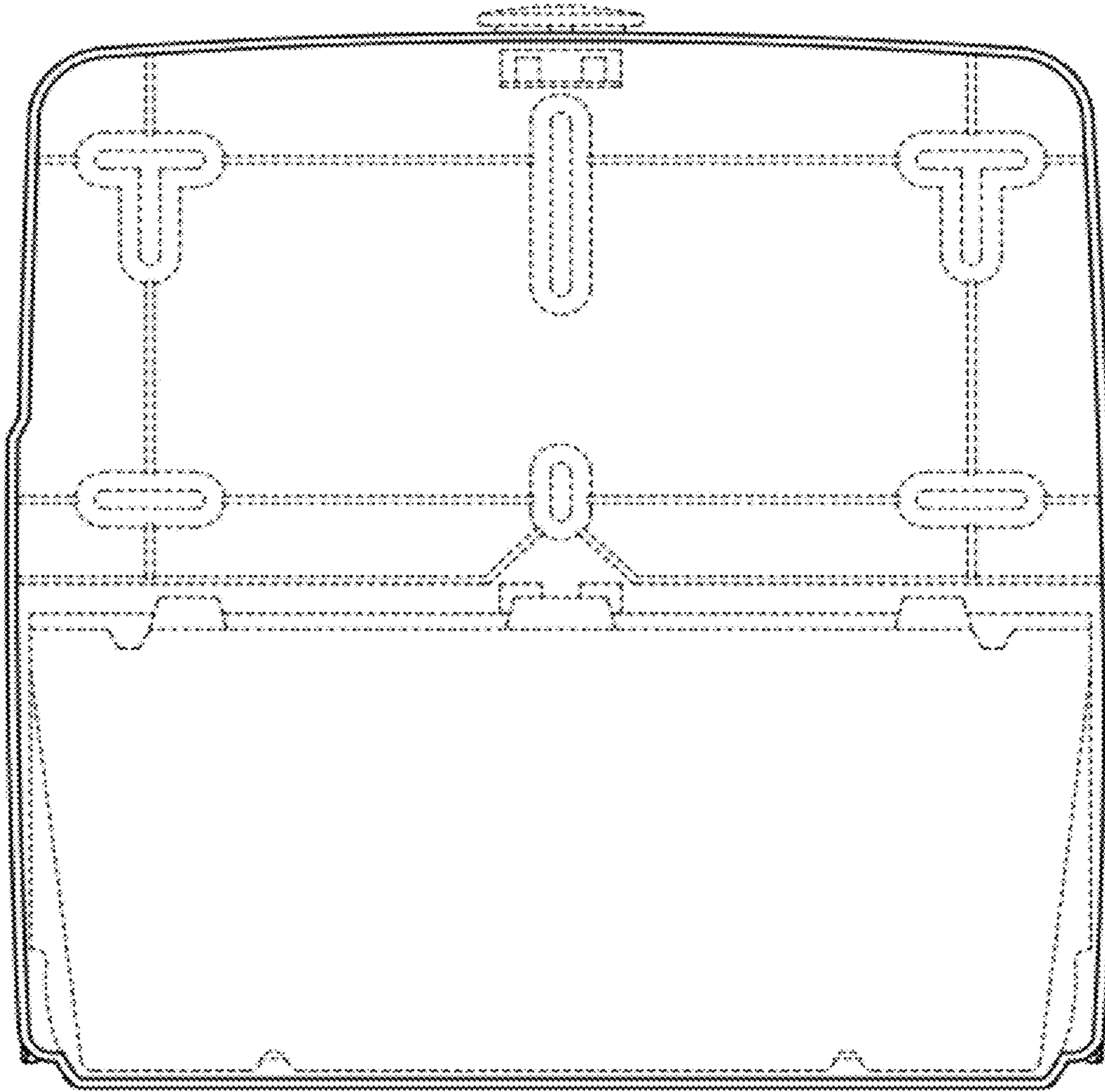


Fig. 14