



US00D664793S

(12) **United States Design Patent**
Petrucelli

(10) **Patent No.:** **US D664,793 S**

(45) **Date of Patent:** **** Aug. 7, 2012**

(54) **BEAUTY SALON CHAIR**

(75) Inventor: **Giulio Petrucelli**, Flushing, NY (US)

(73) Assignee: **P.S. Pibbs, Inc.**, Flushing, NY (US)

(**) Term: **14 Years**

(21) Appl. No.: **29/408,545**

(22) Filed: **Dec. 14, 2011**

(51) **LOC (9) Cl.** **06-01**

(52) **U.S. Cl.** **D6/500; D6/360**

(58) **Field of Classification Search** D6/334-336,
D6/349, 360, 364, 365, 366, 367, 374, 379,
D6/380, 500-502; 297/344.2, 411.28, 411.44,
297/423.1, 423.19, 423.25, 445.1, 451.4,
297/451.5, 452.2, 461

See application file for complete search history.

(56) **References Cited**

U.S. PATENT DOCUMENTS

D276,766 S *	12/1984	Truette	D6/366
D309,382 S *	7/1990	Buhk	D6/360
D372,618 S *	8/1996	Sulzer	D6/500
D454,451 S *	3/2002	Ooyama	D6/360

D457,006 S *	5/2002	Ooyama	D6/360
D527,931 S *	9/2006	Kita	D6/500
D586,593 S *	2/2009	Petrucelli	D6/500

* cited by examiner

Primary Examiner — Mimoso De

(74) *Attorney, Agent, or Firm* — Gerald E. Hespos; Michael J. Porco

(57) **CLAIM**

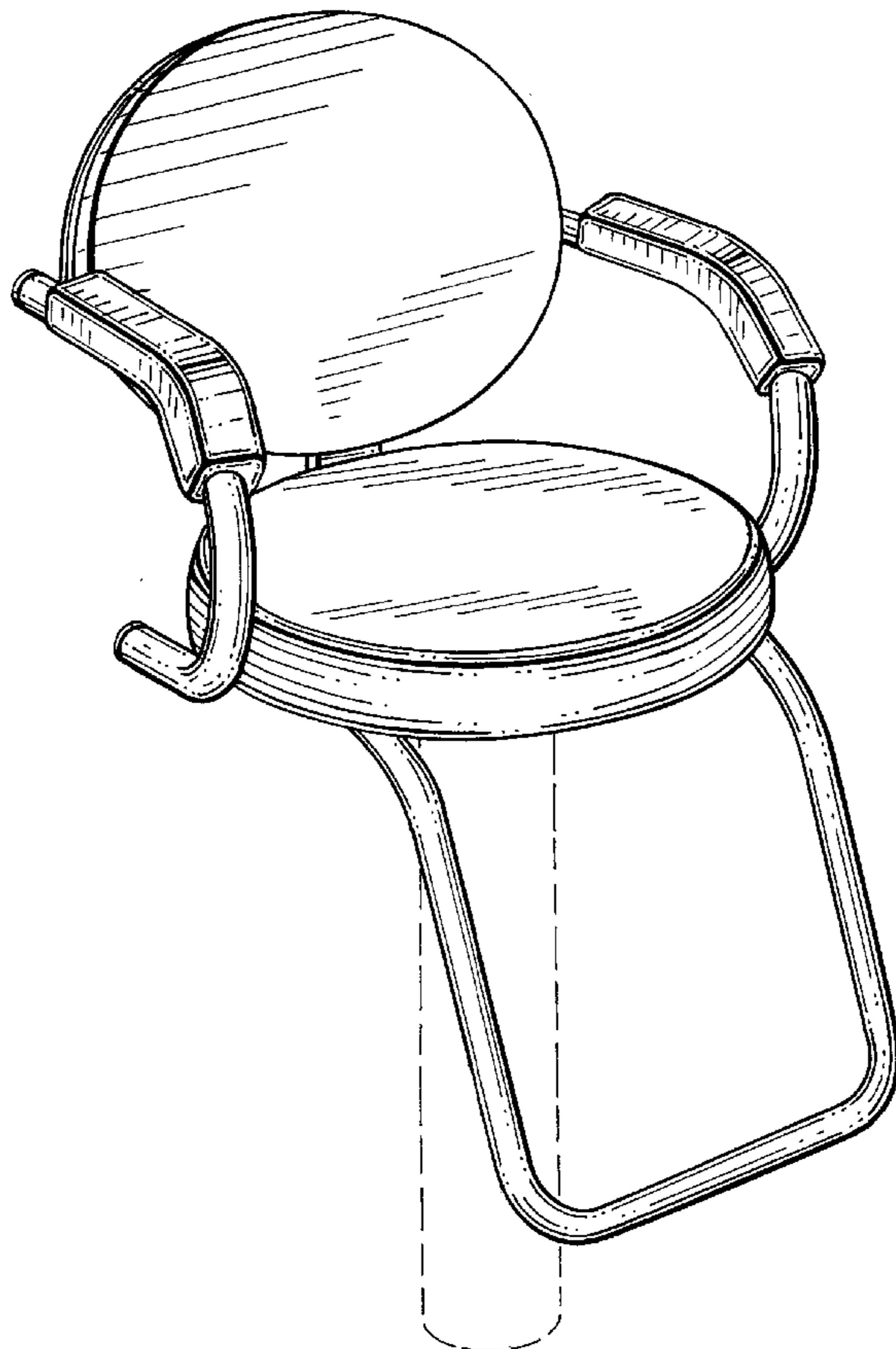
The ornamental design for a beauty salon chair, as shown and described.

DESCRIPTION

FIG. 1 is a perspective view of a beauty salon chair in accordance with my design;
 FIG. 2 is a top plan view of the beauty salon chair of FIG. 1;
 FIG. 3 is a front elevational view thereof;
 FIG. 4 is a right side elevational view, with the left side elevational view being a mirror image thereof;
 FIG. 5 is a rear elevational view thereof; and,
 FIG. 6 is a bottom plan view thereof.

The broken lines showing the pedestal in FIG. 1 are for illustrative purposes only and form no part of the claimed design.

1 Claim, 6 Drawing Sheets



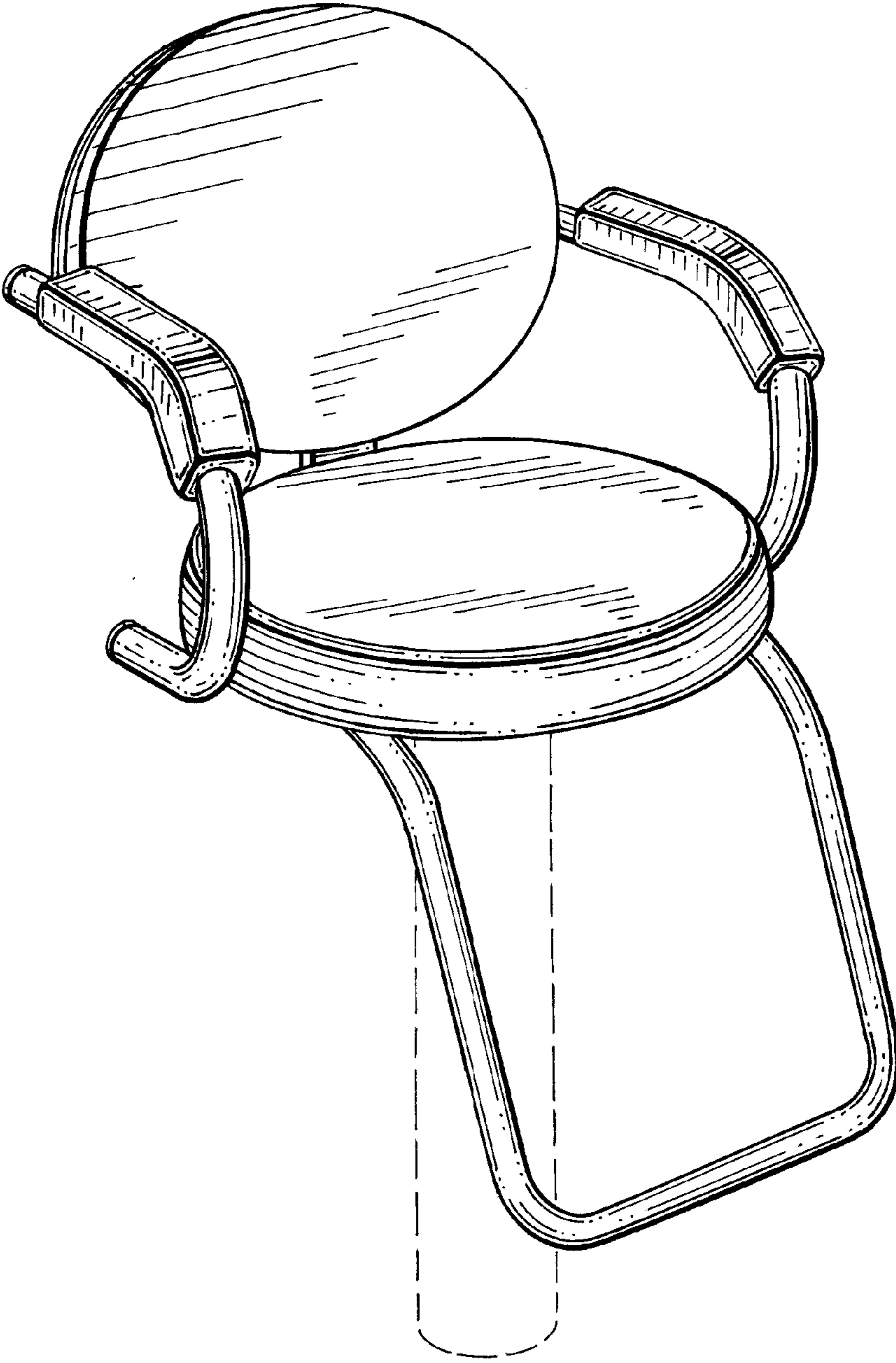


FIG. 1

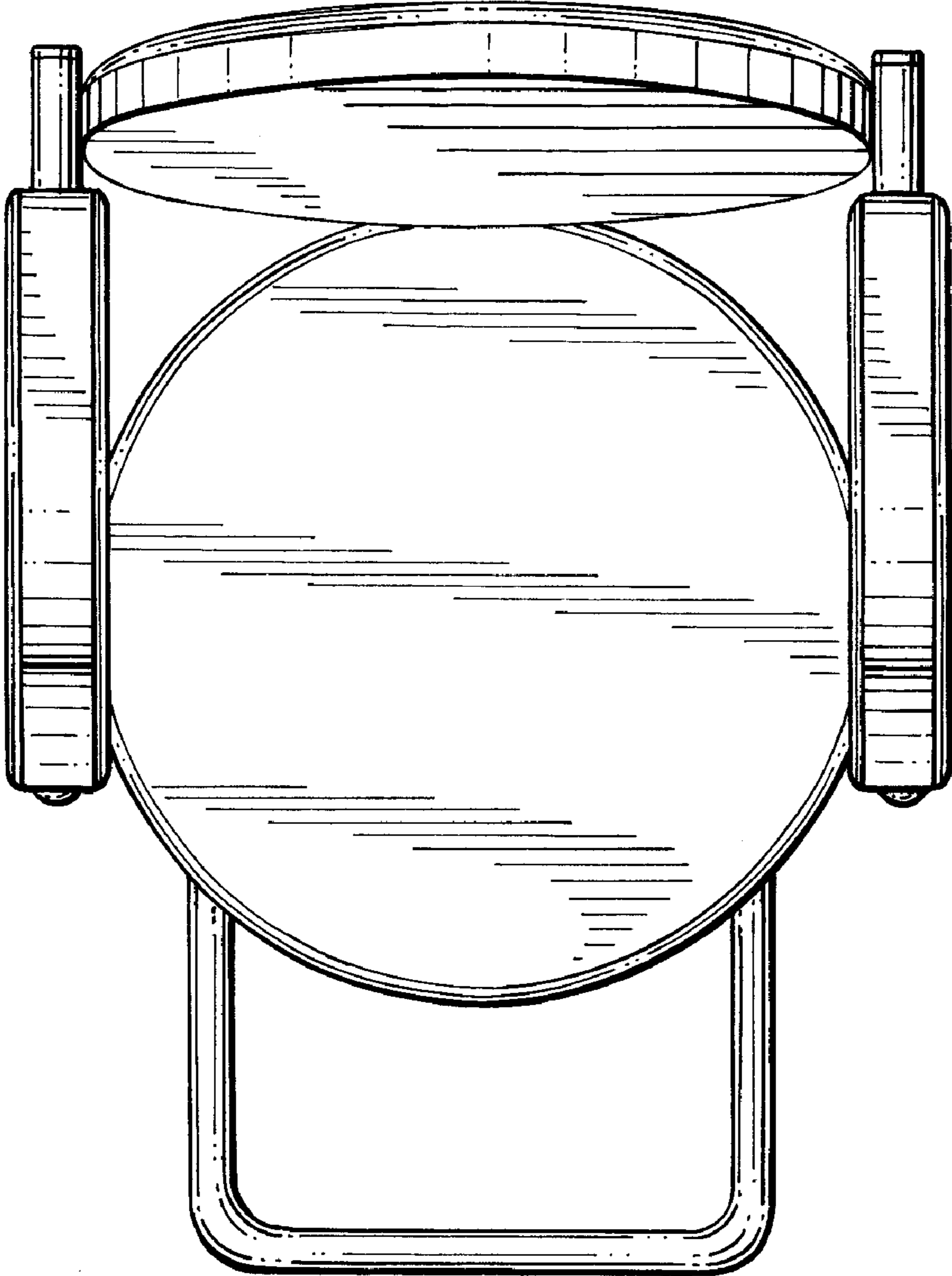


FIG.2

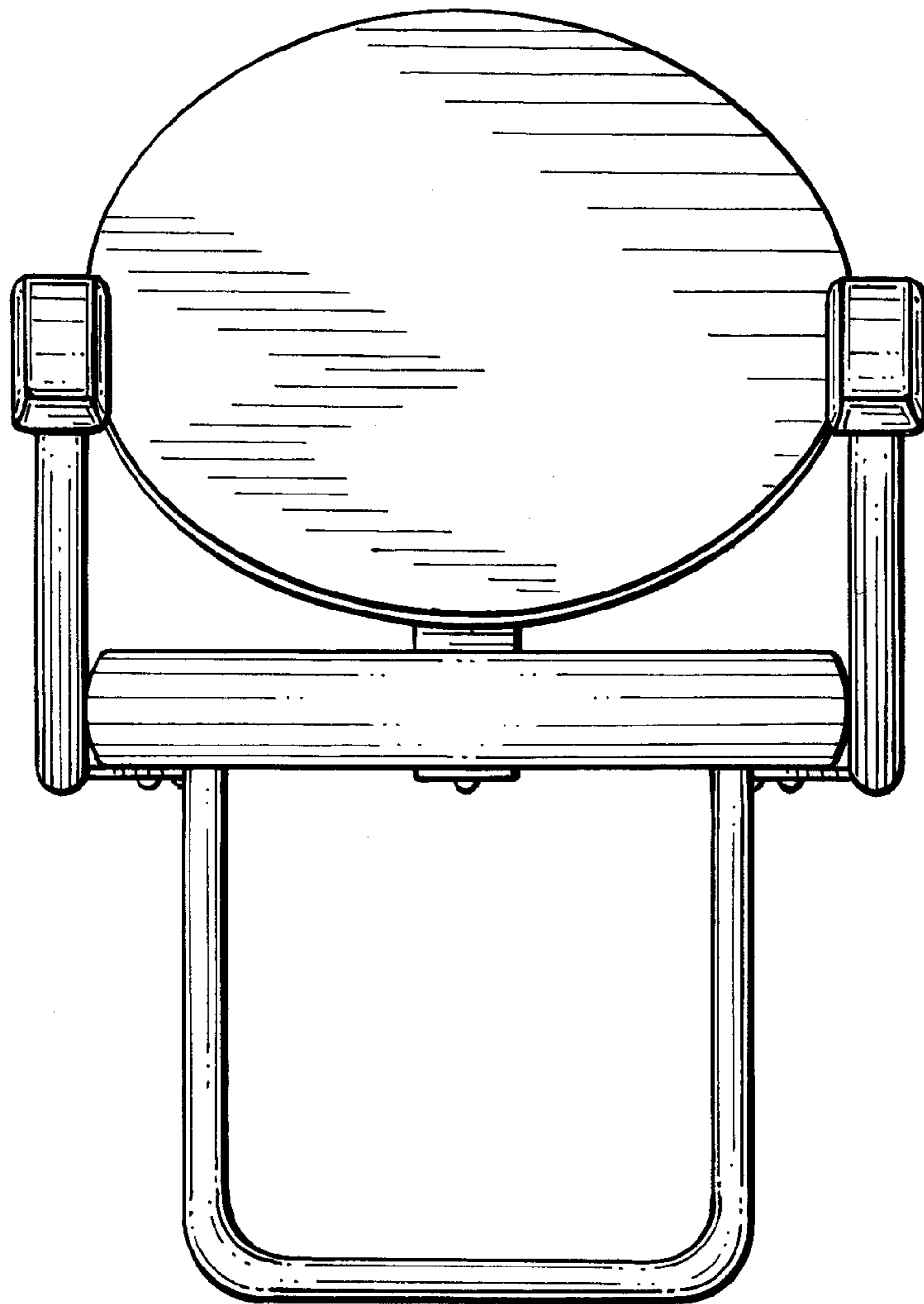


FIG.3

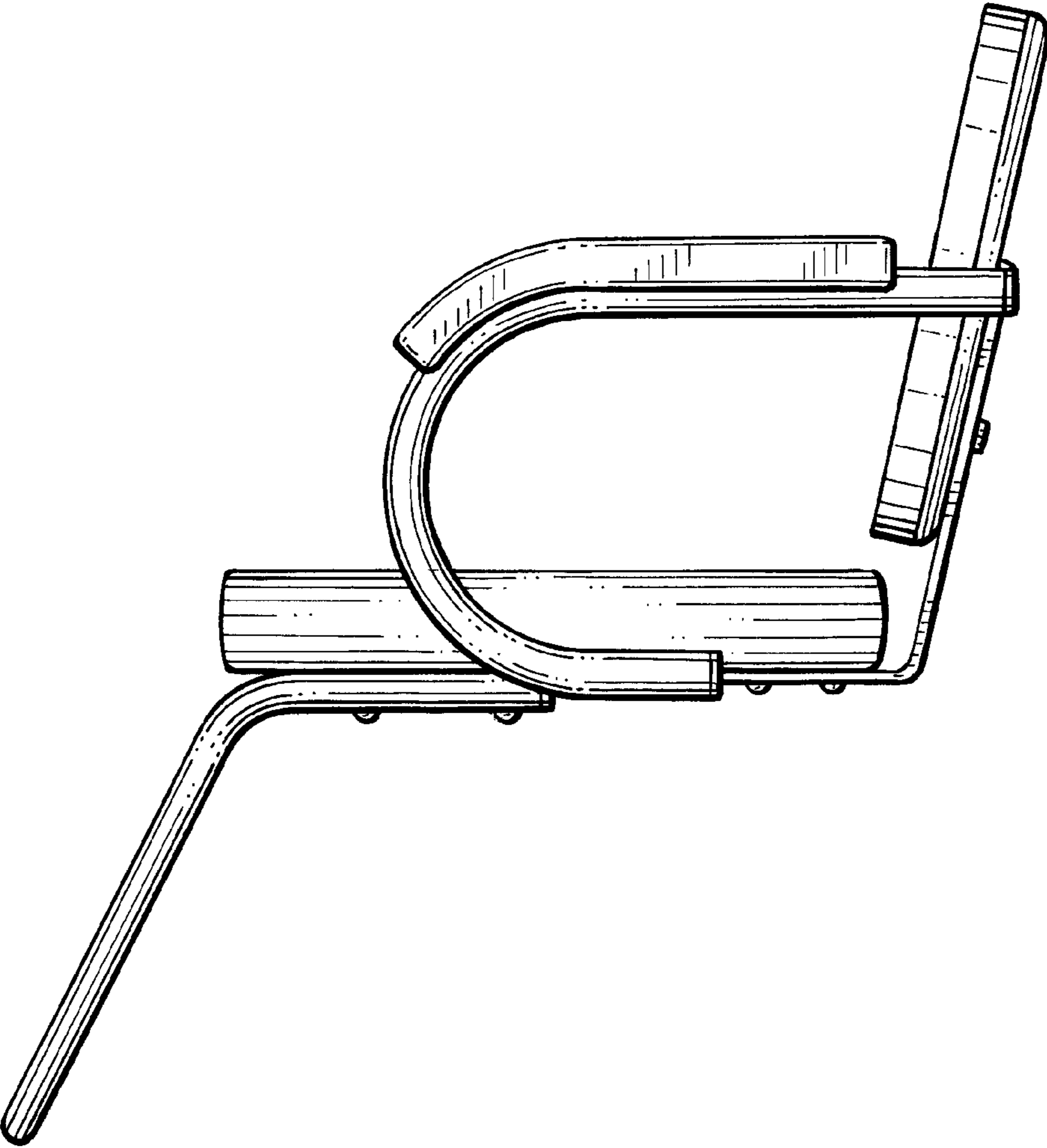


FIG. 4

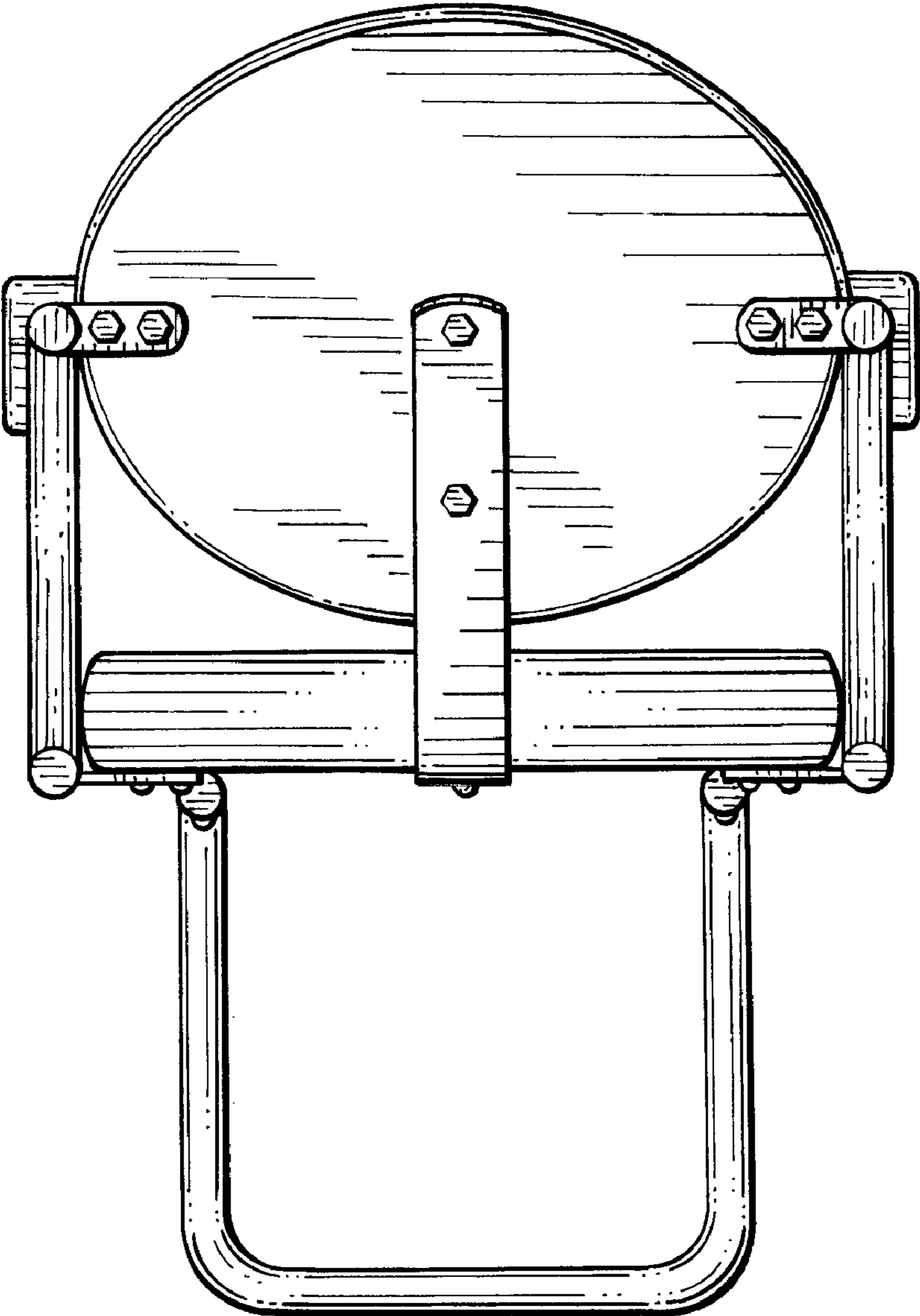


FIG.5

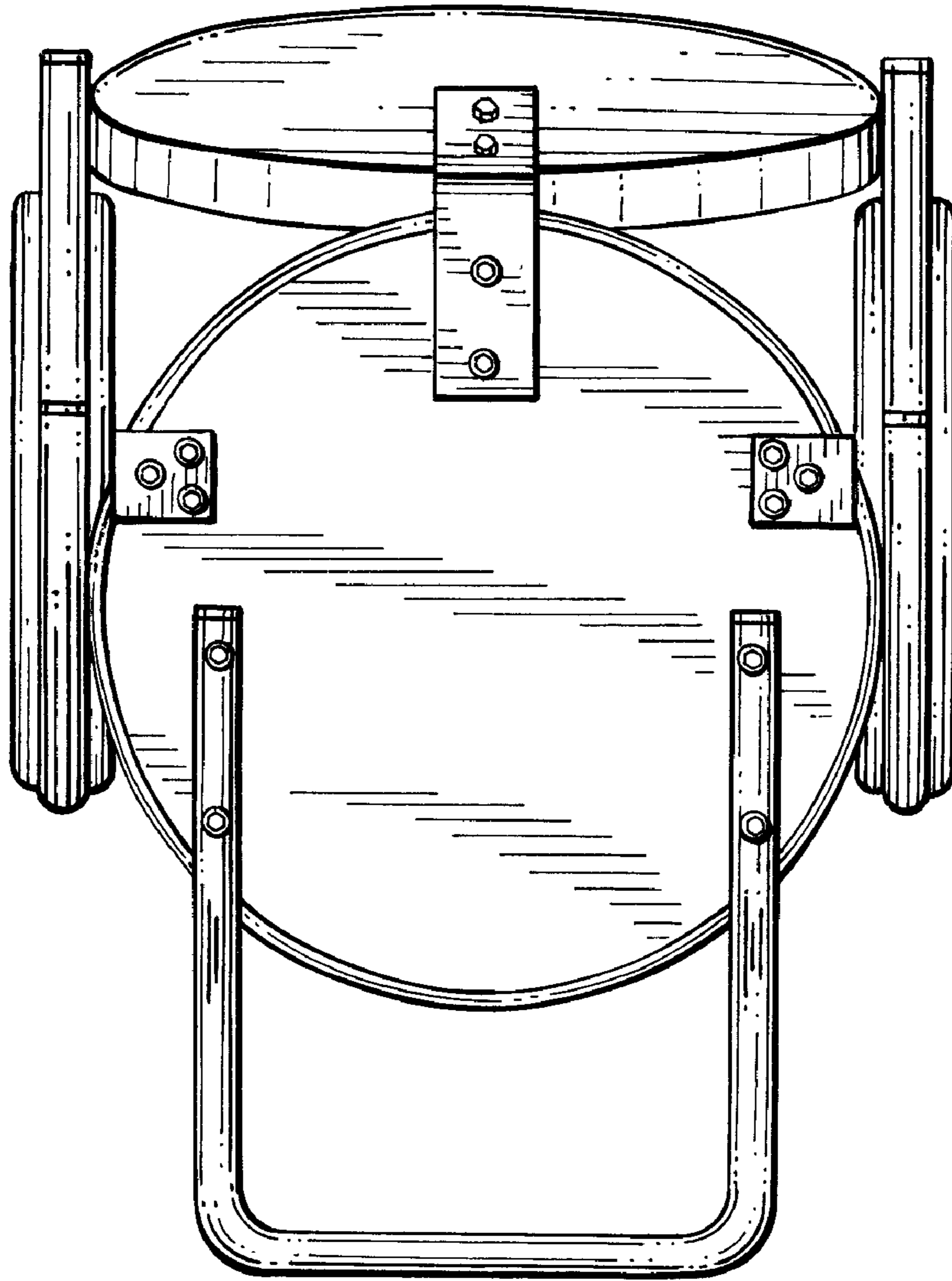


FIG. 6