



US00D664789S

(12) **United States Design Patent**
Mehran

(10) **Patent No.:** **US D664,789 S**

(45) **Date of Patent:** **** Aug. 7, 2012**

(54) **DRESSER**

(75) Inventor: **Anthony Mehran**, Fresh Meadows, NY
(US)

(73) Assignee: **Huffman Koos Furniture, Inc.**, Passaic,
NJ (US)

(**) Term: **14 Years**

(21) Appl. No.: **29/413,950**

(22) Filed: **Feb. 22, 2012**

(51) **LOC (9) Cl.** **06-04**

(52) **U.S. Cl.** **D6/436; D6/446**

(58) **Field of Classification Search** D6/432,
D6/436-439, 441, 442, 444, 445, 446, 447,
D6/448; 312/114, 138.1, 204, 224, 237,
312/257.1, 278, 279

See application file for complete search history.

(56) **References Cited**

U.S. PATENT DOCUMENTS

D378,879 S * 4/1997 Keller D6/436
D465,105 S * 11/2002 Tobin, Jr. D6/446

D468,556 S * 1/2003 Berry et al. D6/441
D468,557 S * 1/2003 Clark et al. D6/441
D468,930 S * 1/2003 Berry et al. D6/441
D468,931 S * 1/2003 Clark et al. D6/441
D542,057 S * 5/2007 Juneau D6/446

* cited by examiner

Primary Examiner — Mimoso De

(74) *Attorney, Agent, or Firm* — Ashley Law Firm P.C.;
Stephen S. Ashley, Jr.

(57) **CLAIM**

The ornamental design for a dresser, as shown.

DESCRIPTION

FIG. 1 is a perspective view of the dresser according to the invention;

FIG. 2 is a front elevation view thereof;

FIG. 3 is a rear elevation view thereof;

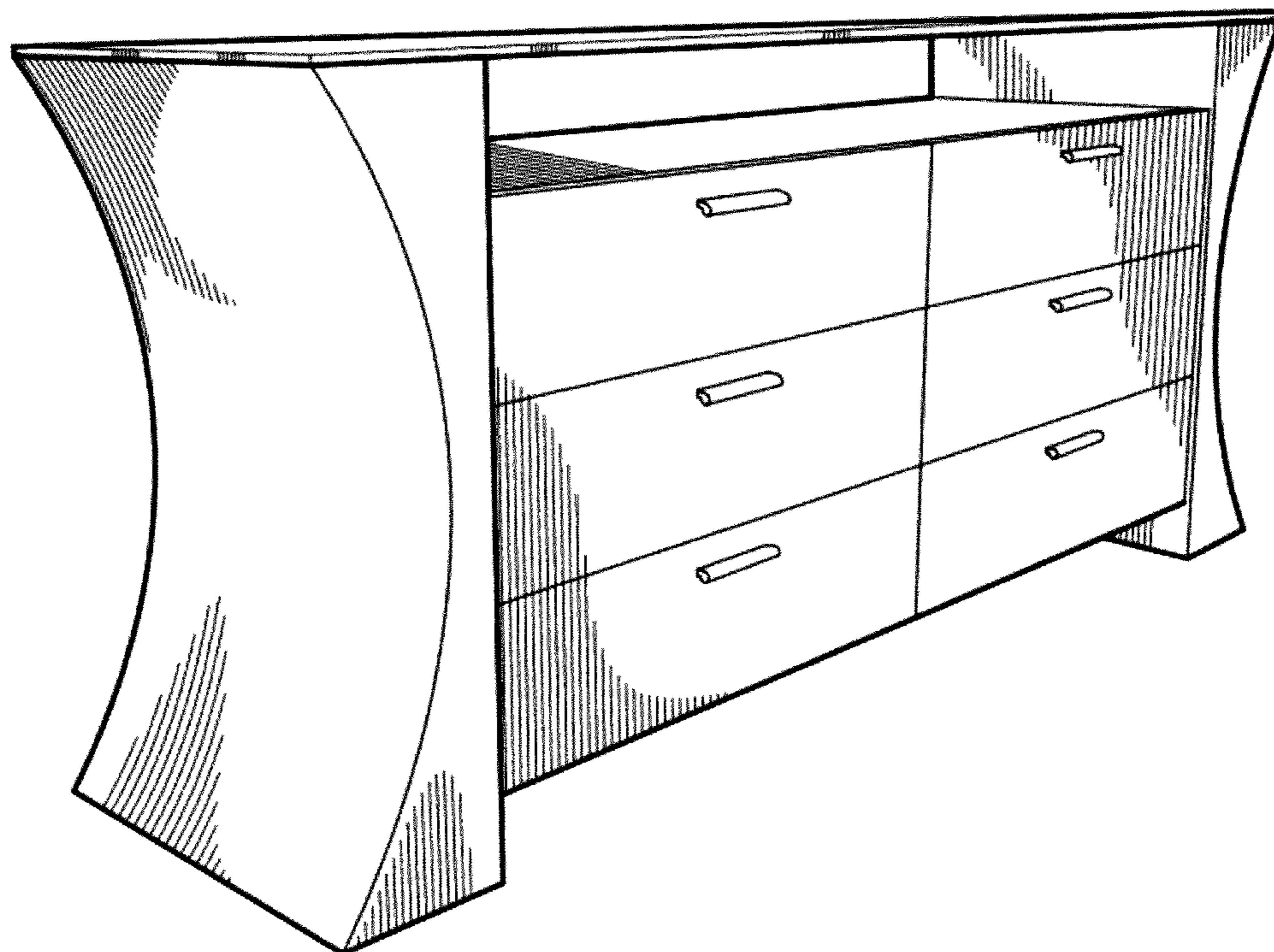
FIG. 4 is a left side elevation view thereof;

FIG. 5 is a right side elevation view thereof;

FIG. 6 is a top plan view thereof; and,

FIG. 7 is a bottom plan view thereof.

1 Claim, 5 Drawing Sheets



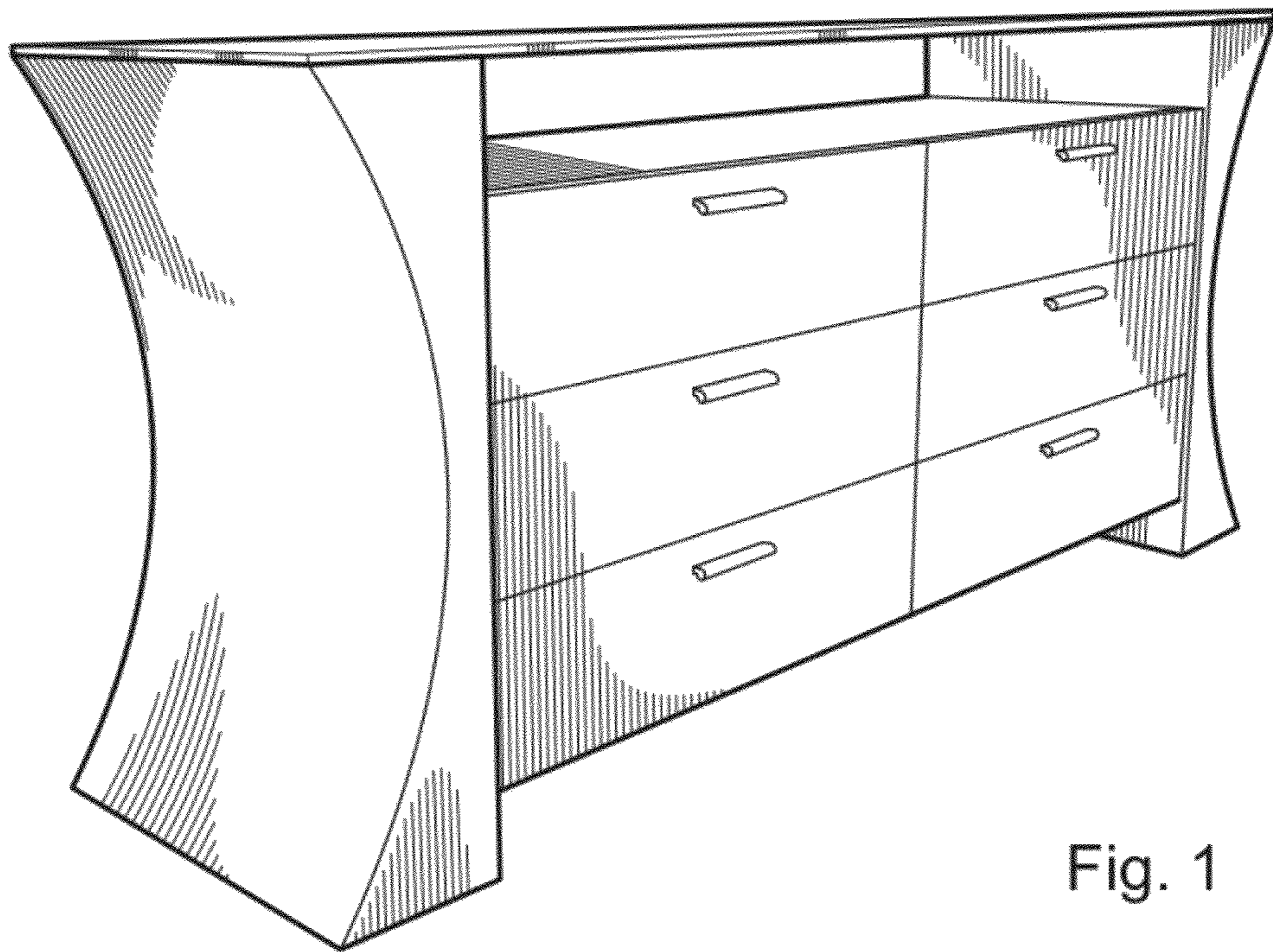


Fig. 1

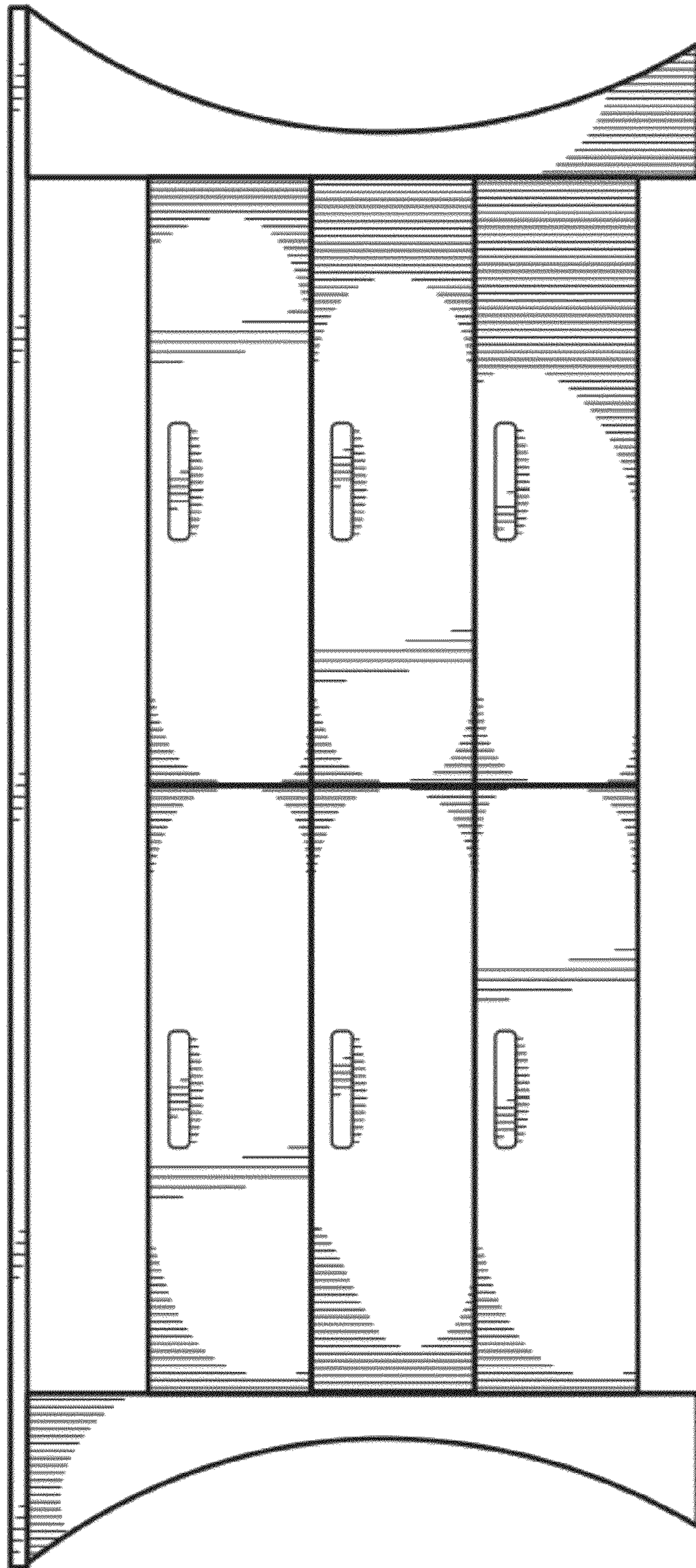


Fig. 2

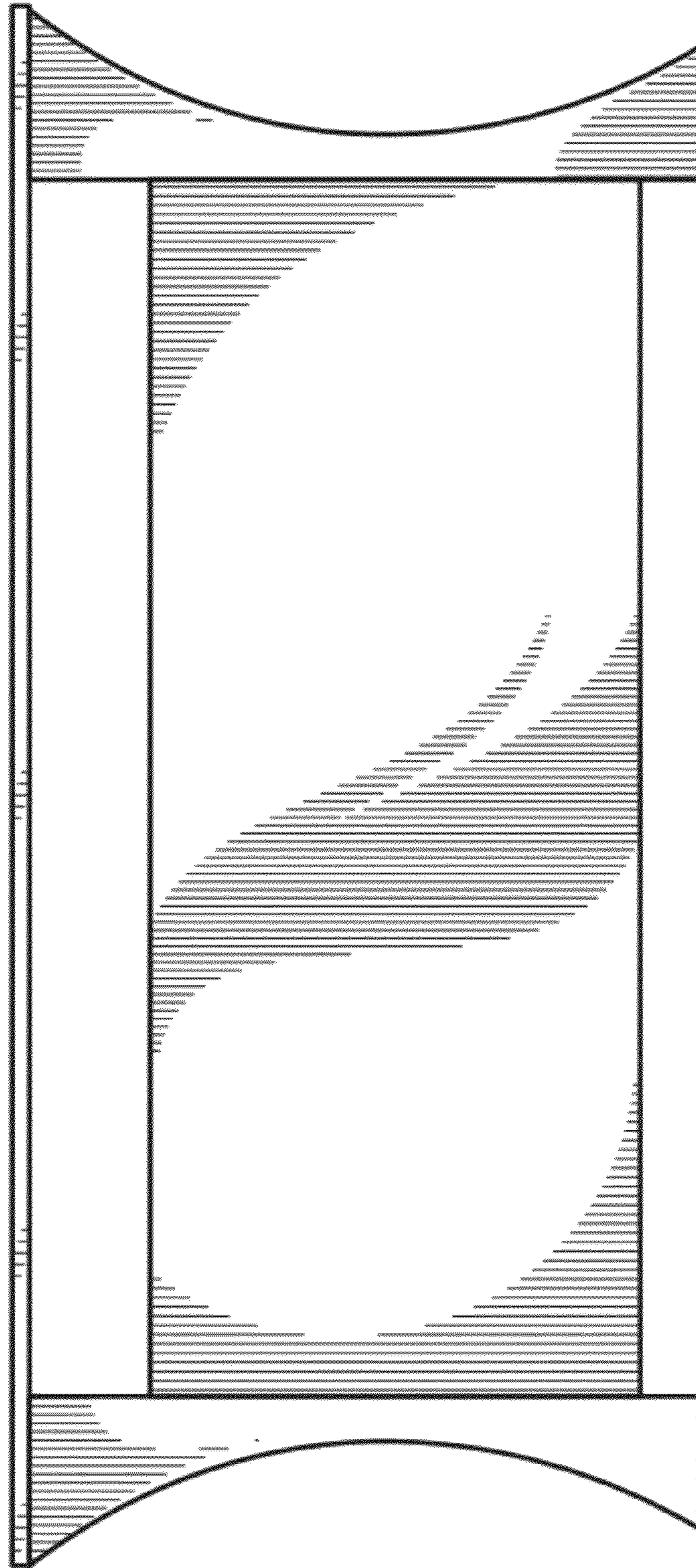


Fig. 3

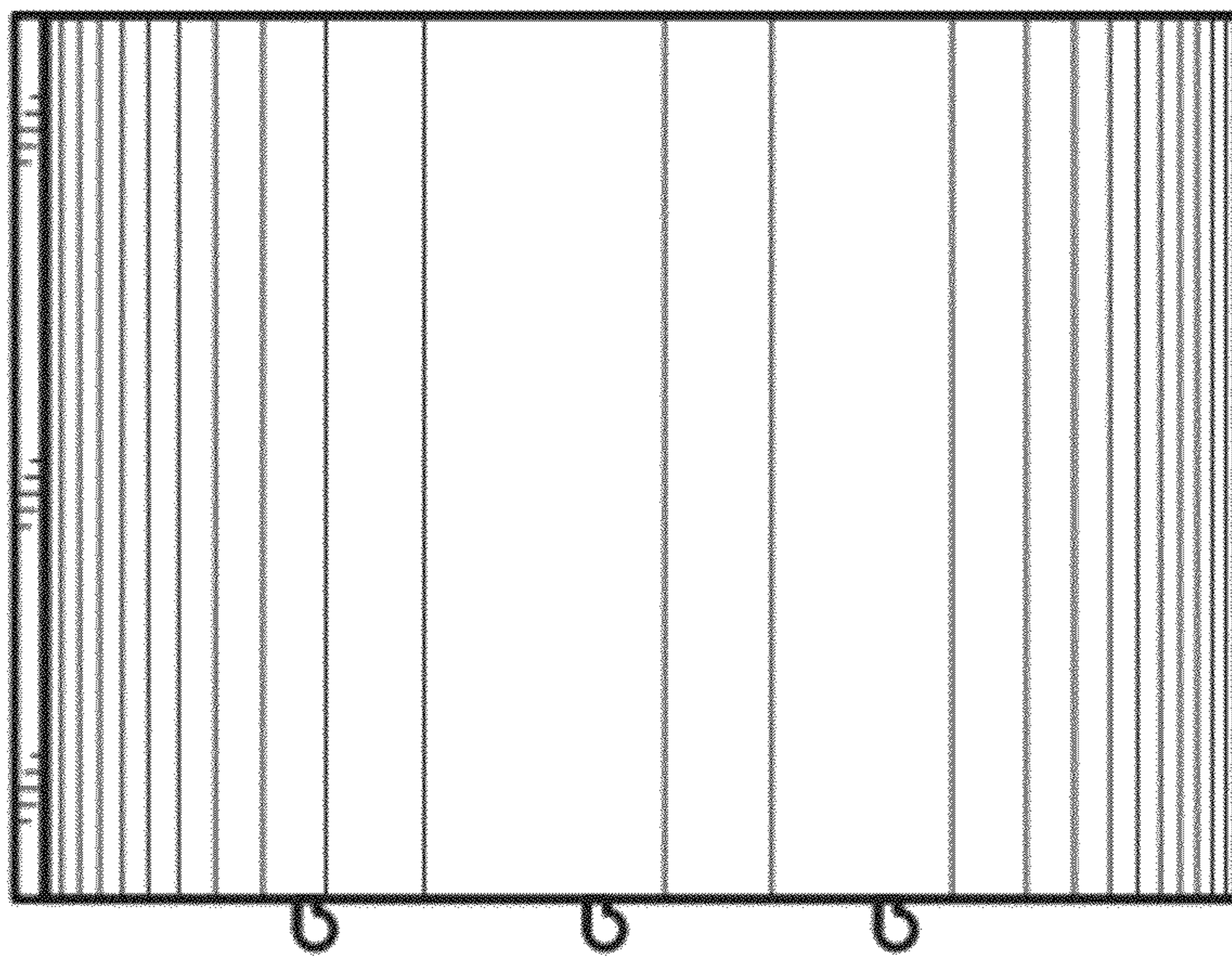


Fig. 5

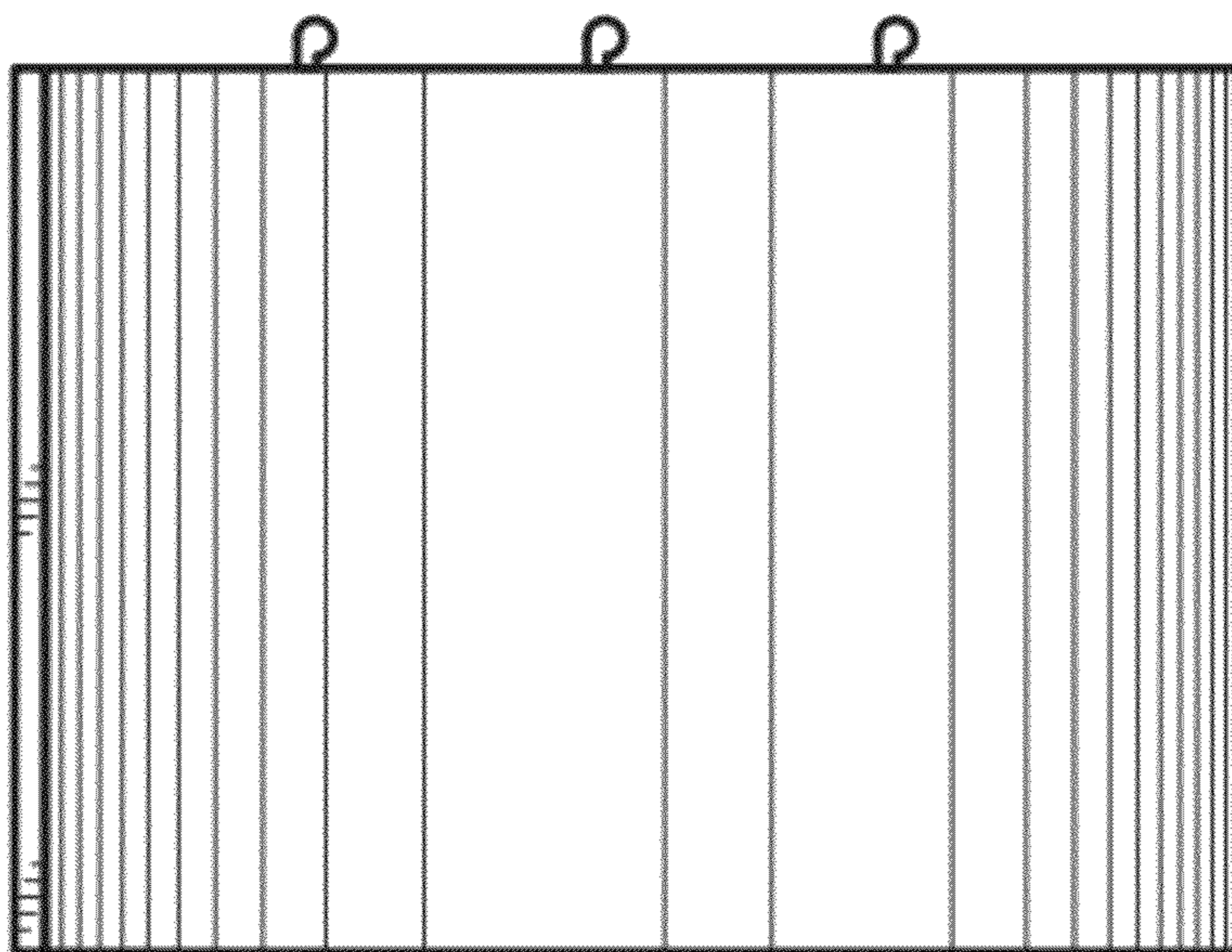


Fig. 4

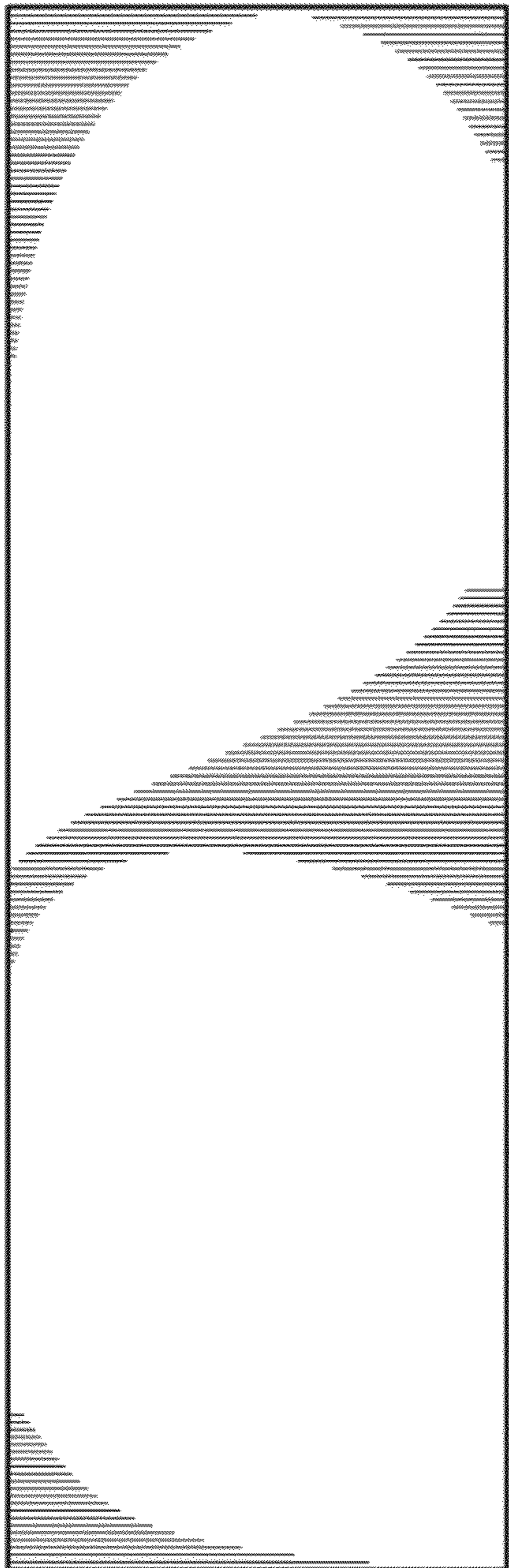


Fig. 6

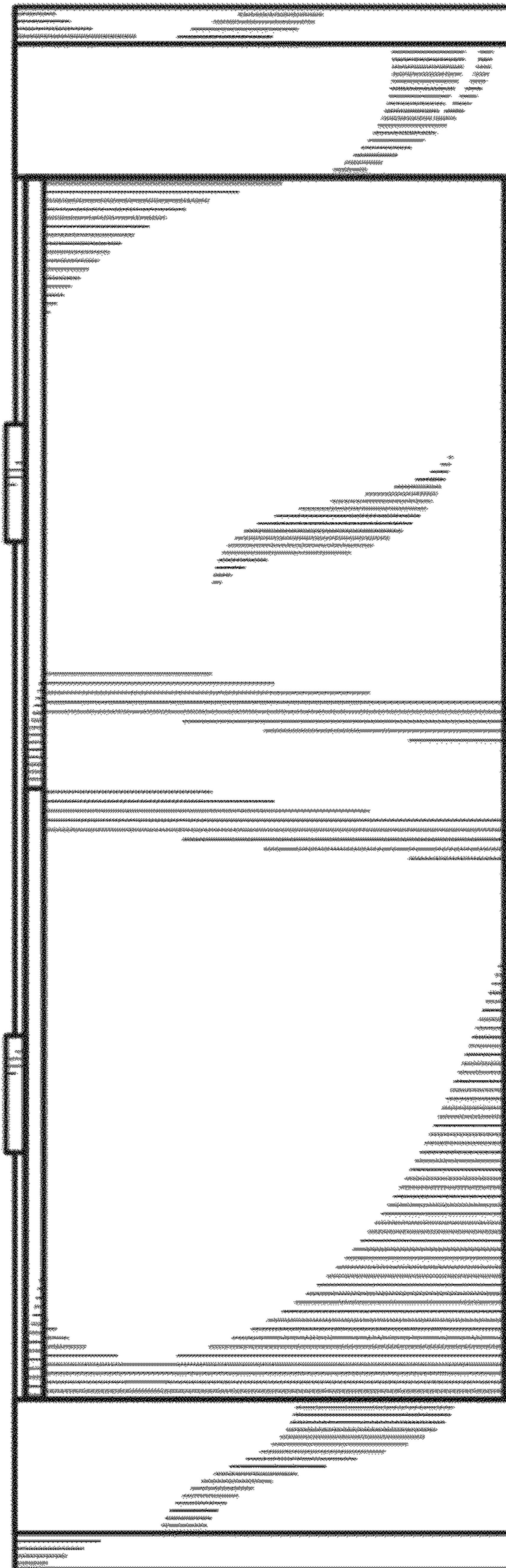


Fig. 7