



US00D664788S

(12) **United States Design Patent**
Baylon

(10) **Patent No.:** **US D664,788 S**

(45) **Date of Patent:** **** Aug. 7, 2012**

(54) **PURSE STAND**

(76) Inventor: **Carolyn Baylon**, Los Angeles, CA (US)

(**) Term: **14 Years**

(21) Appl. No.: **29/383,713**

(22) Filed: **Jan. 20, 2011**

(51) **LOC (9) Cl.** **06-04**

(52) **U.S. Cl.** **D6/411**

(58) **Field of Classification Search** D6/415,
D6/411, 405, 458, 449, 315, 396, 467, 462;
211/205, 59.1, 85.2, 13.1, 45, 47, 94.03,
211/103, 200, 85.3; 108/151, 152, 182, 189
See application file for complete search history.

(56) **References Cited**

U.S. PATENT DOCUMENTS

D67,680	S	*	6/1925	Ziegler	D6/415
3,310,180	A	*	3/1967	Neagle	211/205
D301,094	S	*	5/1989	Muxlow	D6/411
D339,009	S	*	9/1993	Evenson	D6/411
D339,249	S	*	9/1993	Wu	D6/411
D387,216	S	*	12/1997	Stone	D6/405
5,732,833	A	*	3/1998	Alvarado et al.	211/59.1
D429,921	S	*	8/2000	Allanson	D6/458
6,095,346	A	*	8/2000	Idelberger	211/85.2
D458,770	S	*	6/2002	Walter	D6/411
D459,106	S	*	6/2002	Walter	D6/411
D595,518	S	*	7/2009	Zapanta	D6/449
D617,997	S	*	6/2010	Johnson et al.	D6/315

* cited by examiner

Primary Examiner — Philip S Hyder

Assistant Examiner — Sydney Buffalow

(74) *Attorney, Agent, or Firm* — Kafantaris Law Offices;
Theo Kafantaris

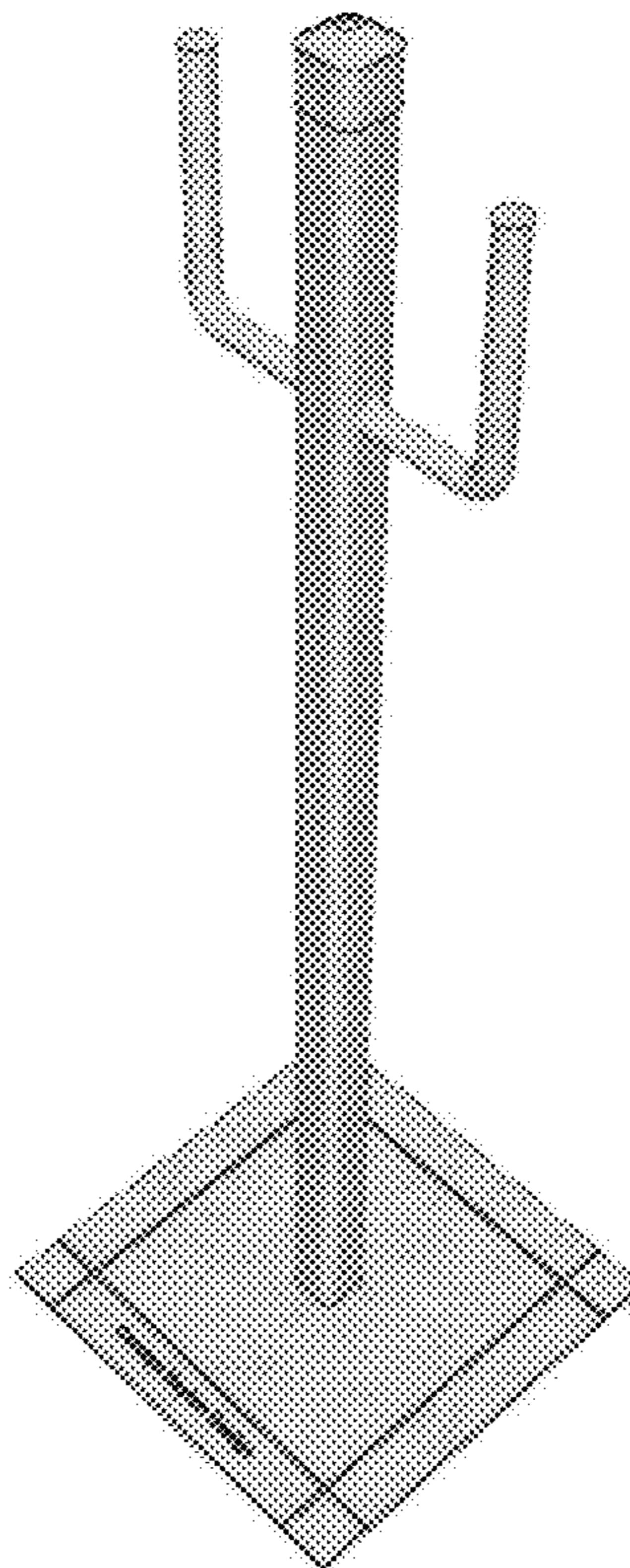
(57) **CLAIM**

The ornamental design for a purse stand, as shown and described.

DESCRIPTION

FIG. 1 is a perspective view of the purse stand showing my new design;
FIG. 2 is a front elevation view thereof;
FIG. 3 is an enlarged fragmentary front view of the upper portion of the purse stand thereof;
FIG. 4 is a side view thereof;
FIG. 5 is an enlarged fragmentary side view of the upper portion thereof;
FIG. 6 is an enlarged top view thereof;
FIG. 7 is a top perspective view thereof;
FIG. 8 is an enlarged fragmentary perspective view of the base of the purse stand thereof;
FIG. 9 is an enlarged fragmentary top view of a portion of the base thereof;
FIG. 10 is an enlarged fragmentary side view of the base of the purse stand thereof;
FIG. 11 is an enlarged bottom perspective view of the base of the purse stand thereof; and,
FIG. 12 is an enlarged bottom view.

1 Claim, 12 Drawing Sheets



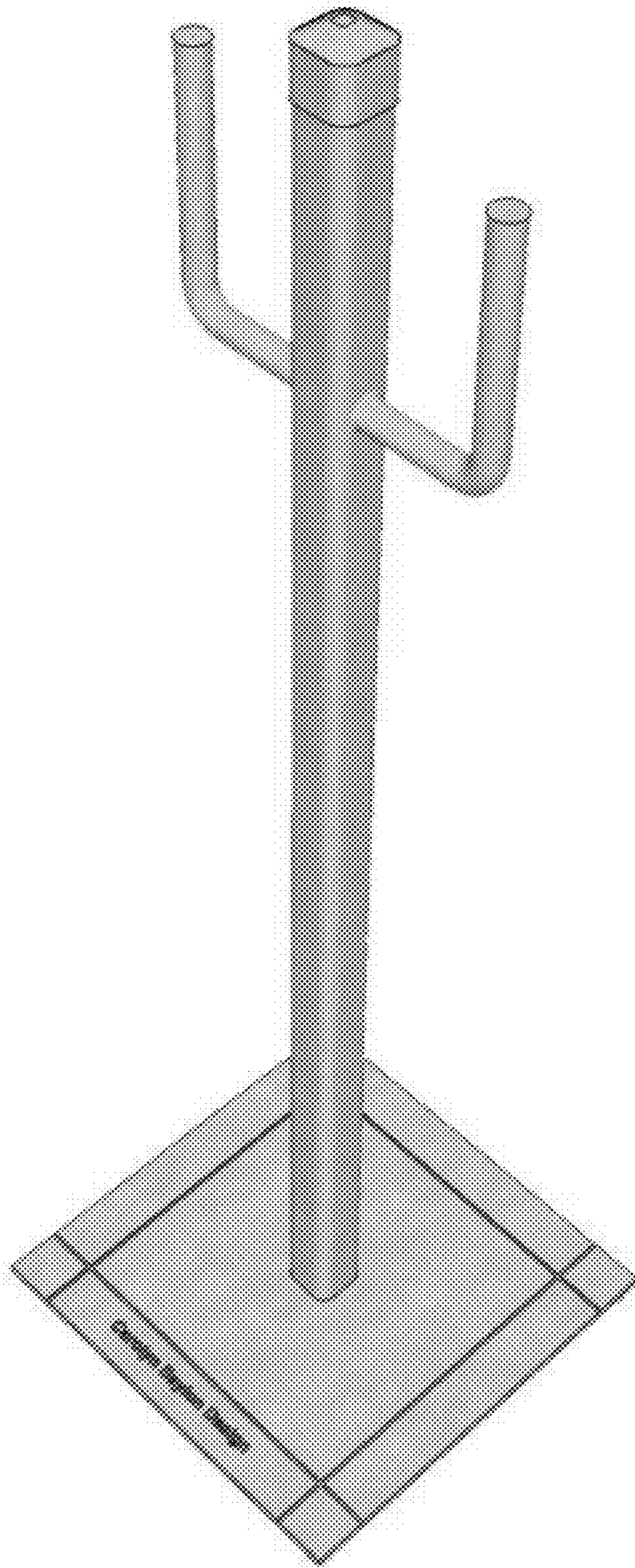


FIG. 1

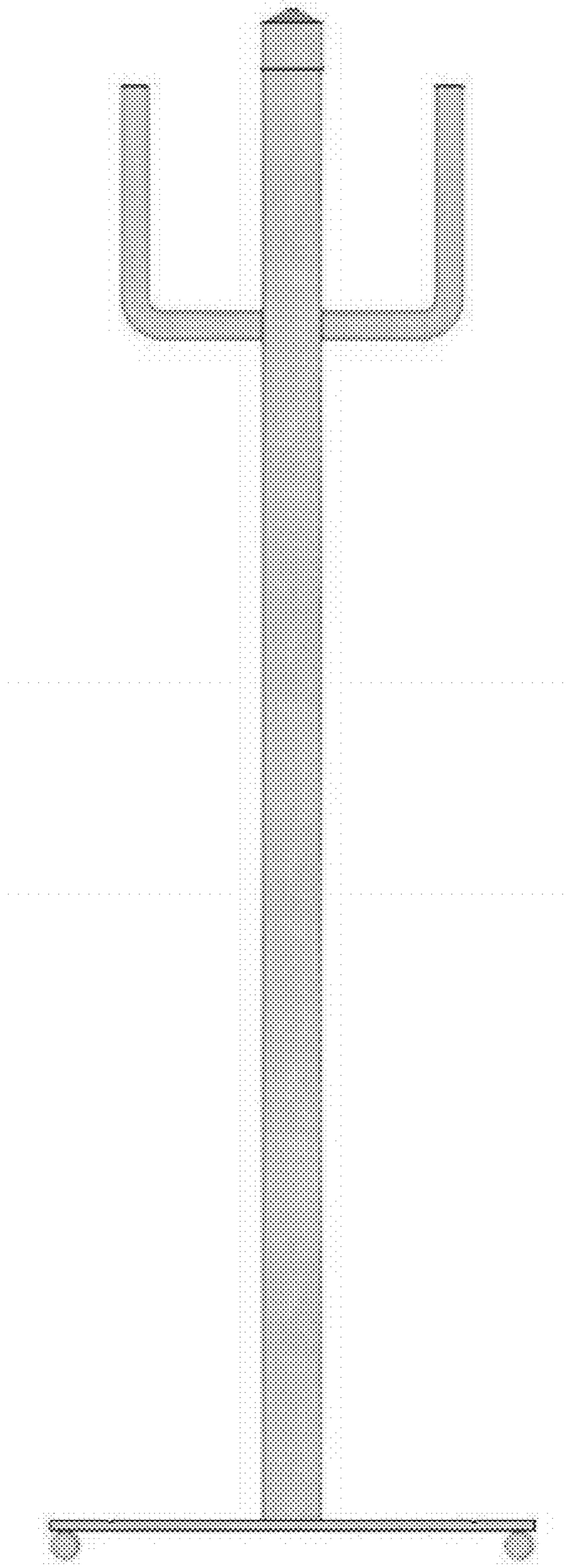


FIG. 2

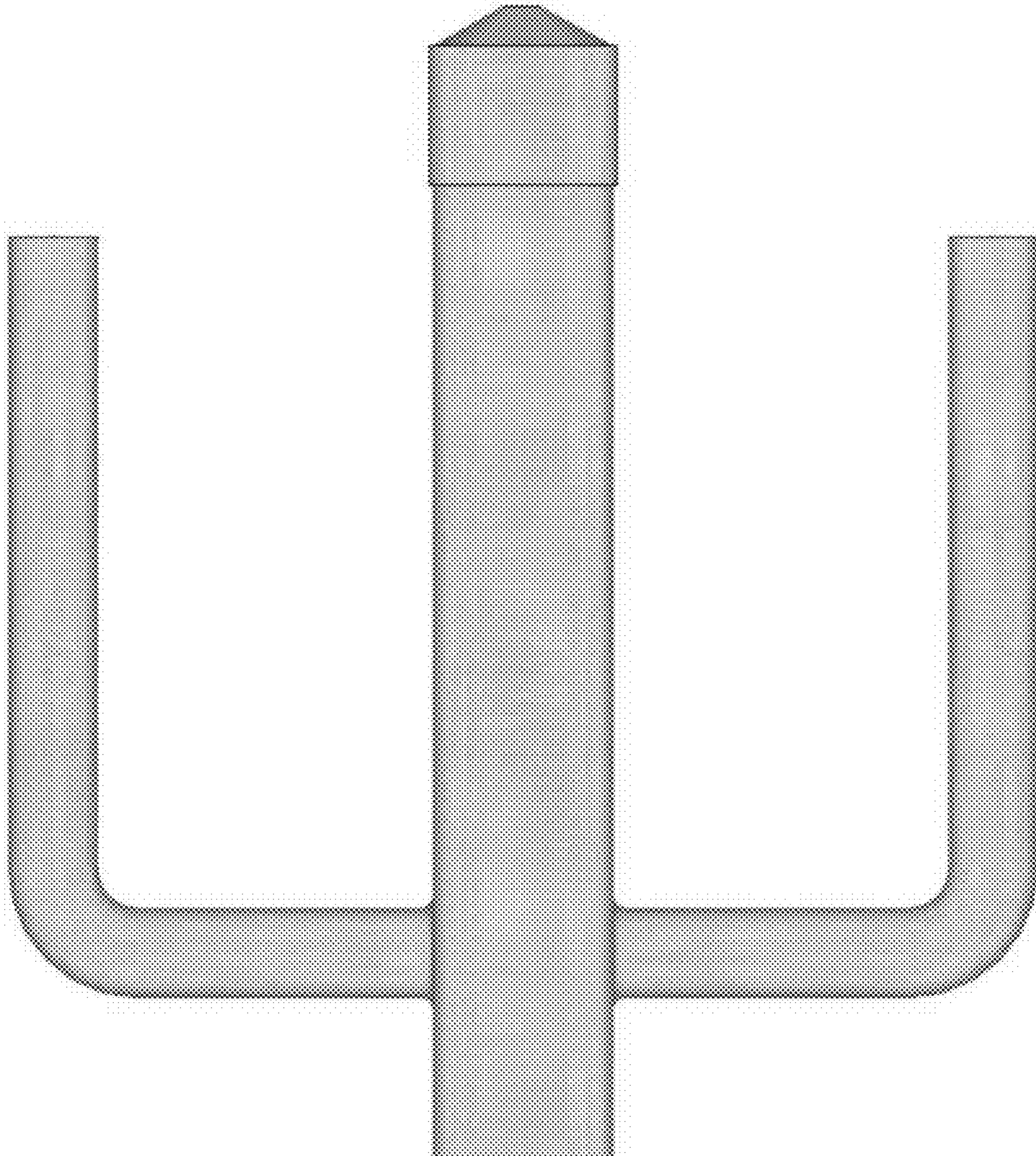


FIG. 3

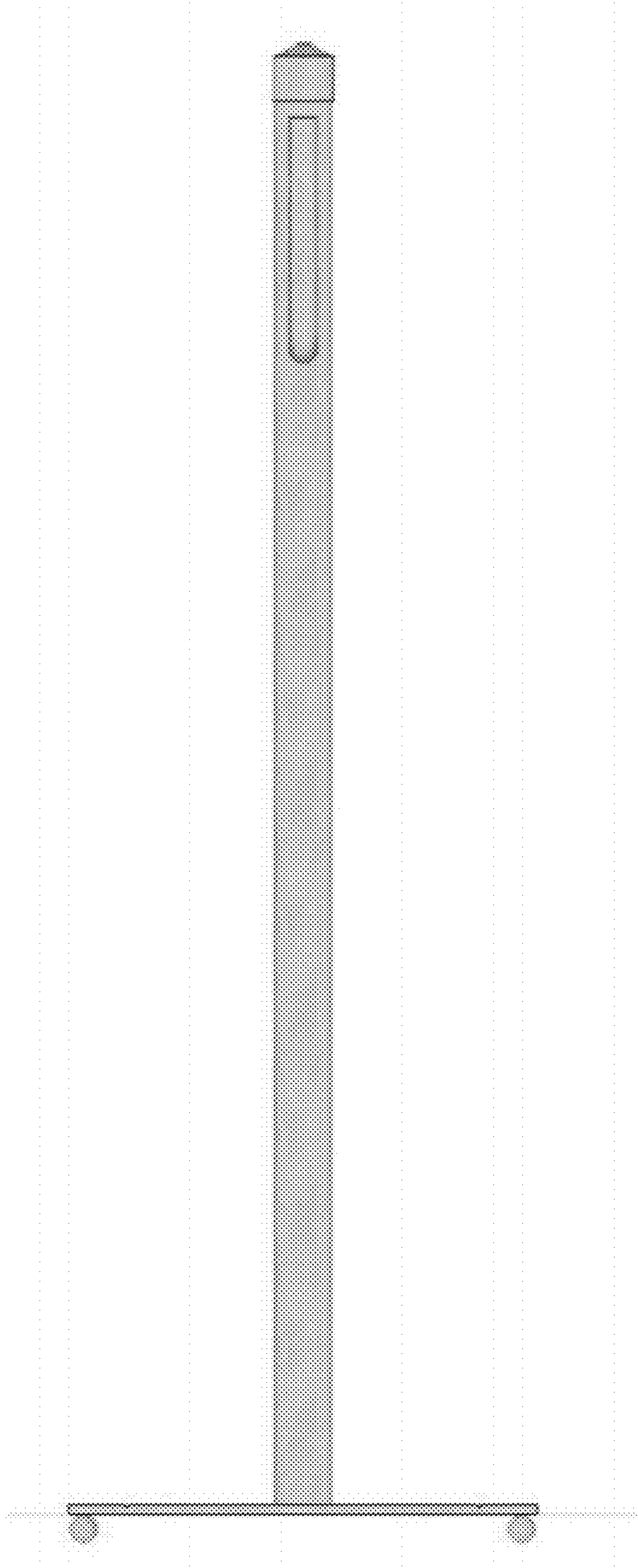


FIG. 4

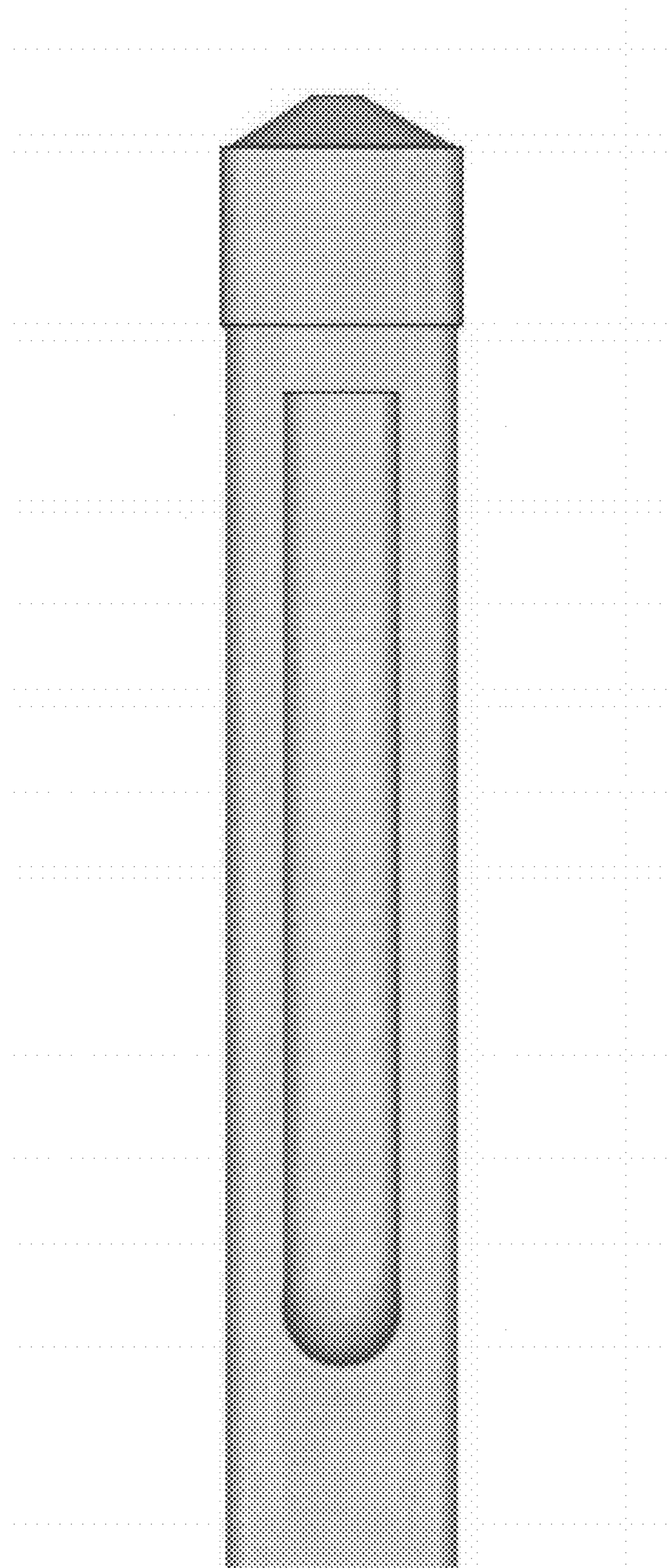


FIG. 5

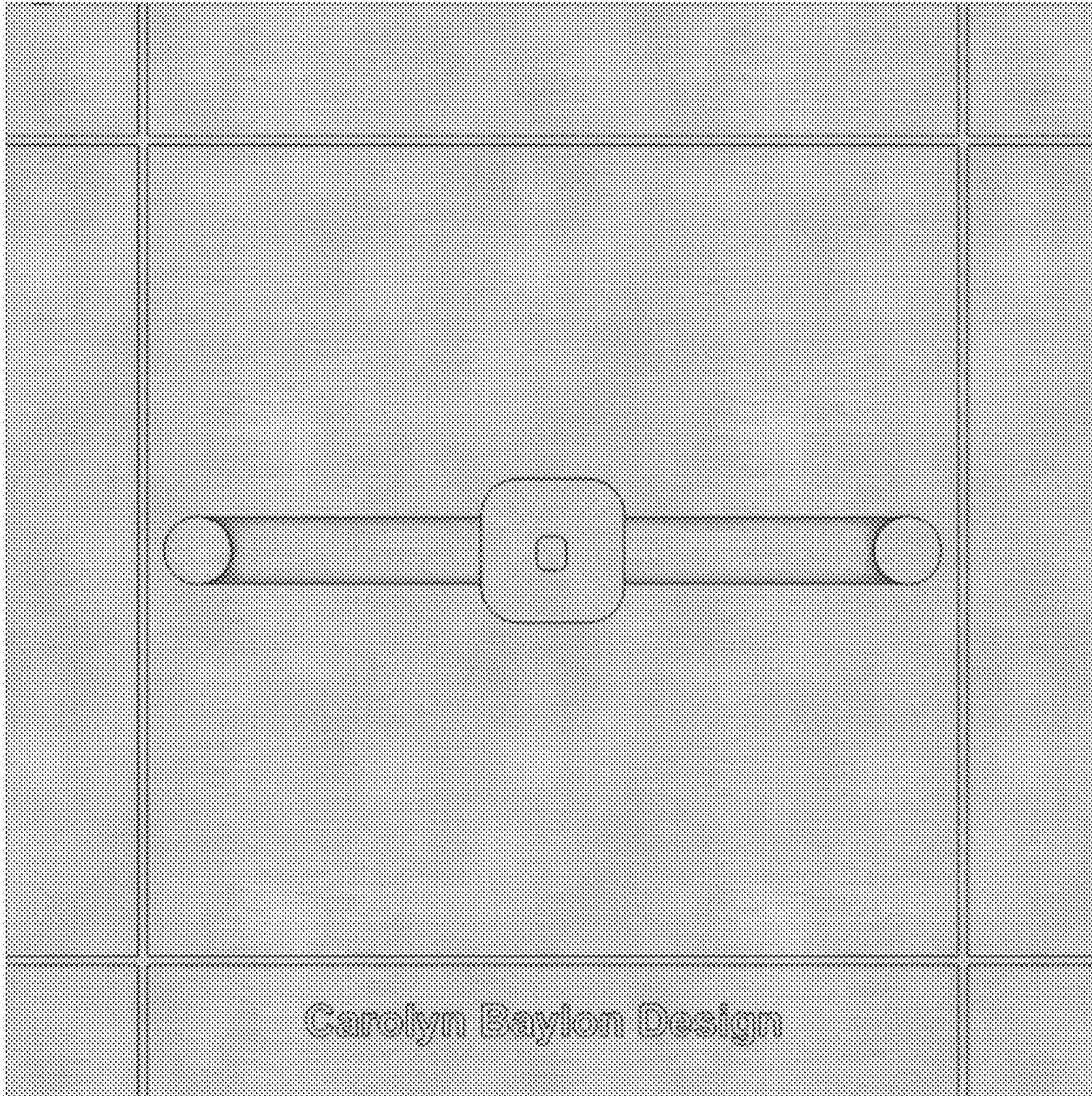


FIG. 6

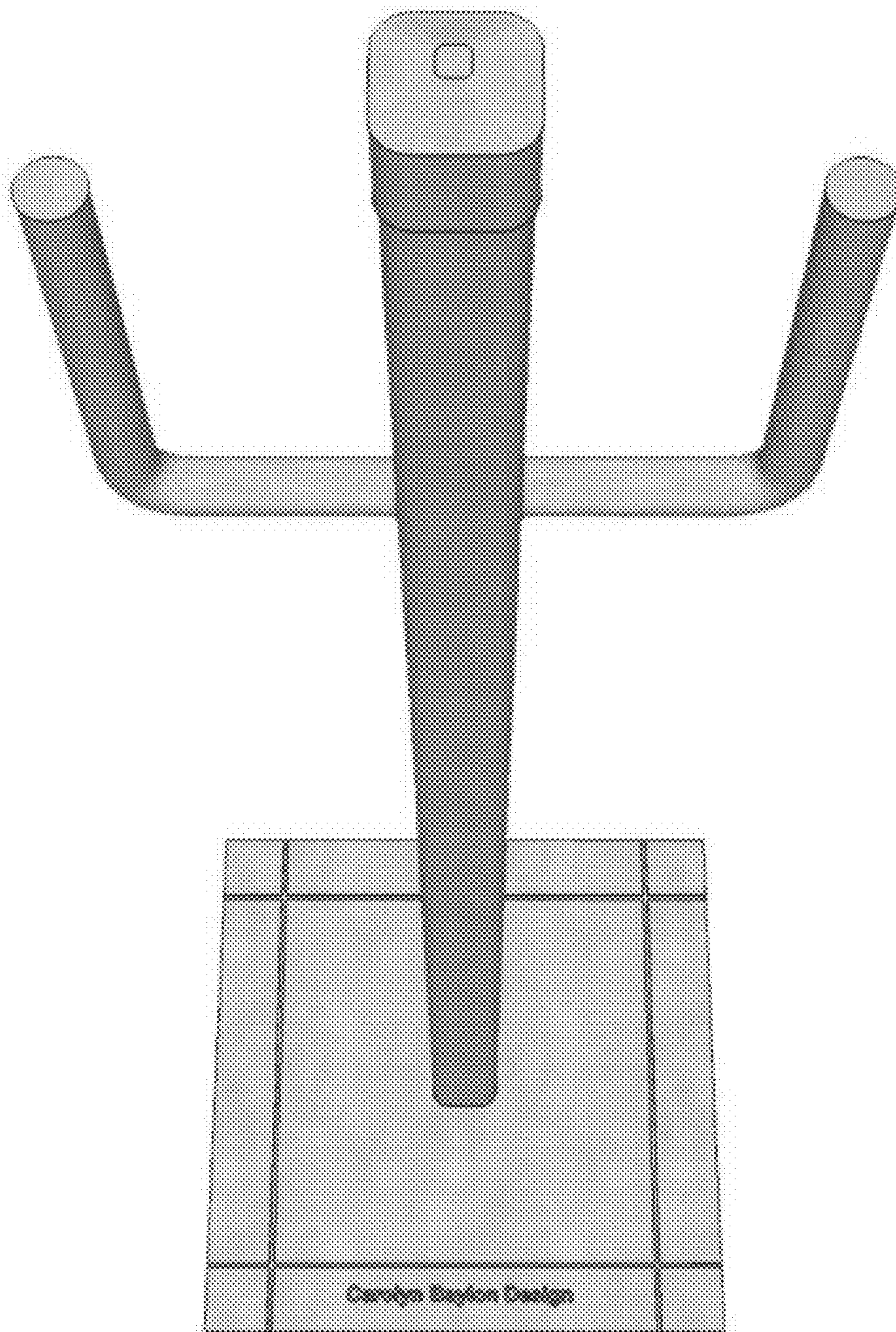


FIG. 7

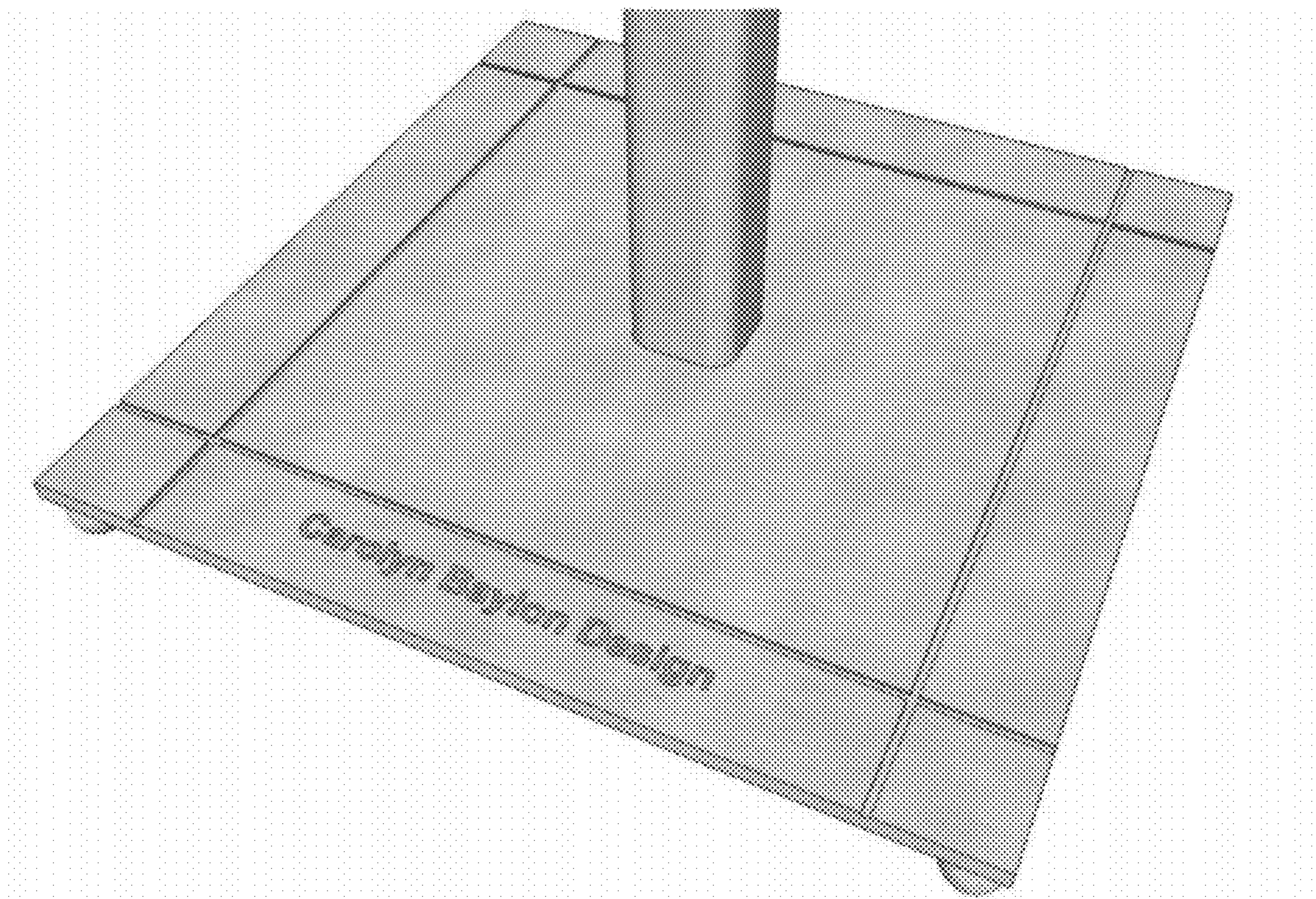


FIG. 8

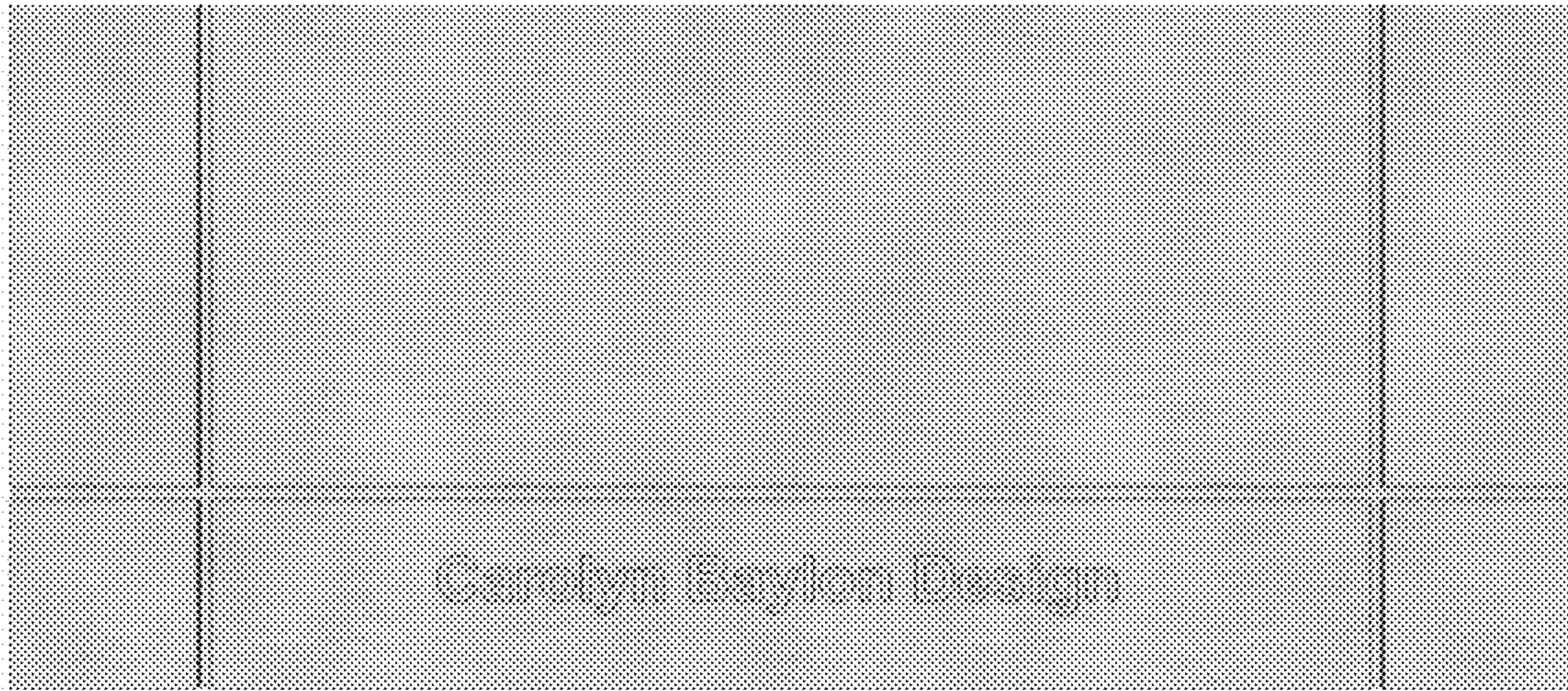


FIG. 9

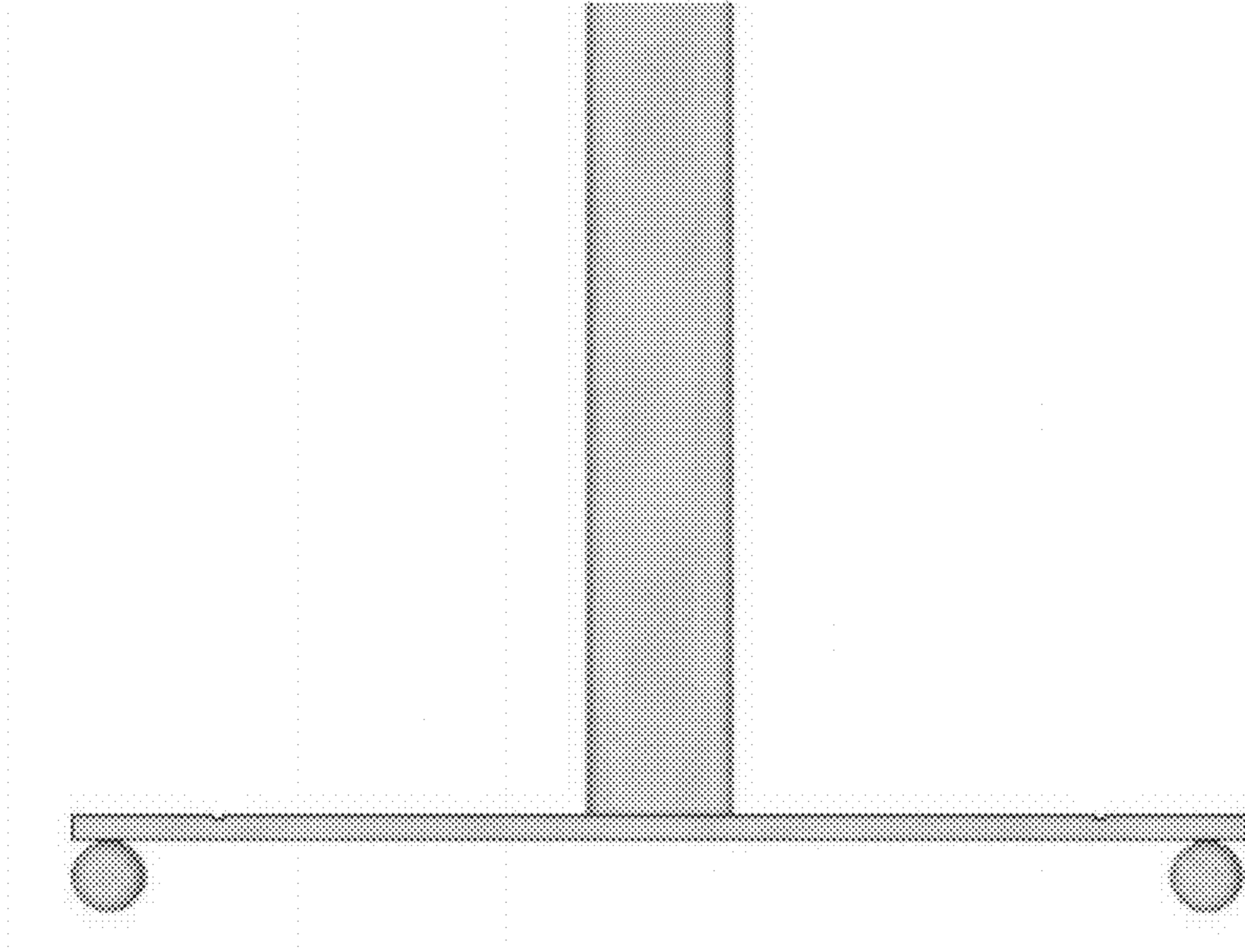


FIG. 10

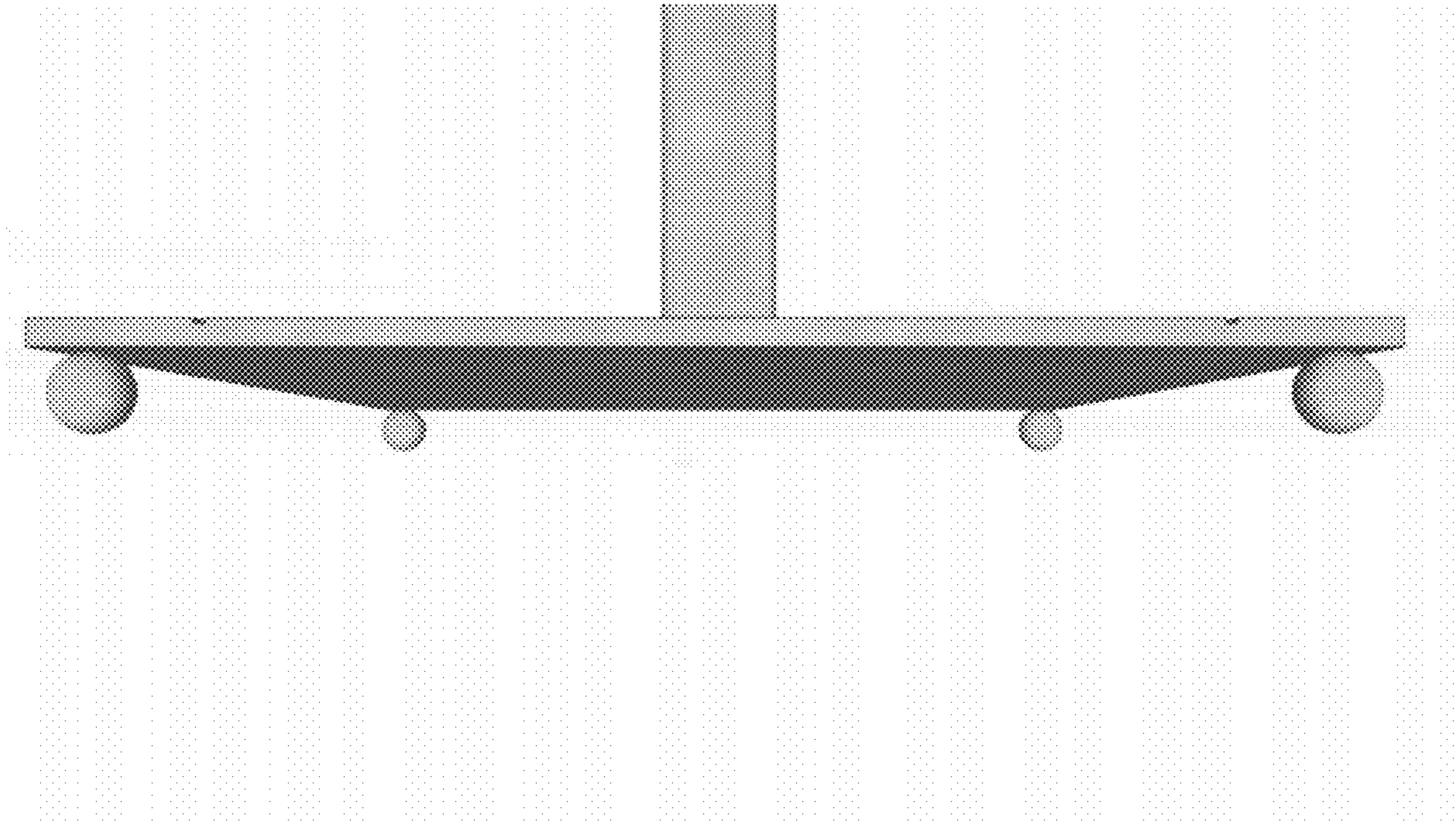


FIG. 11

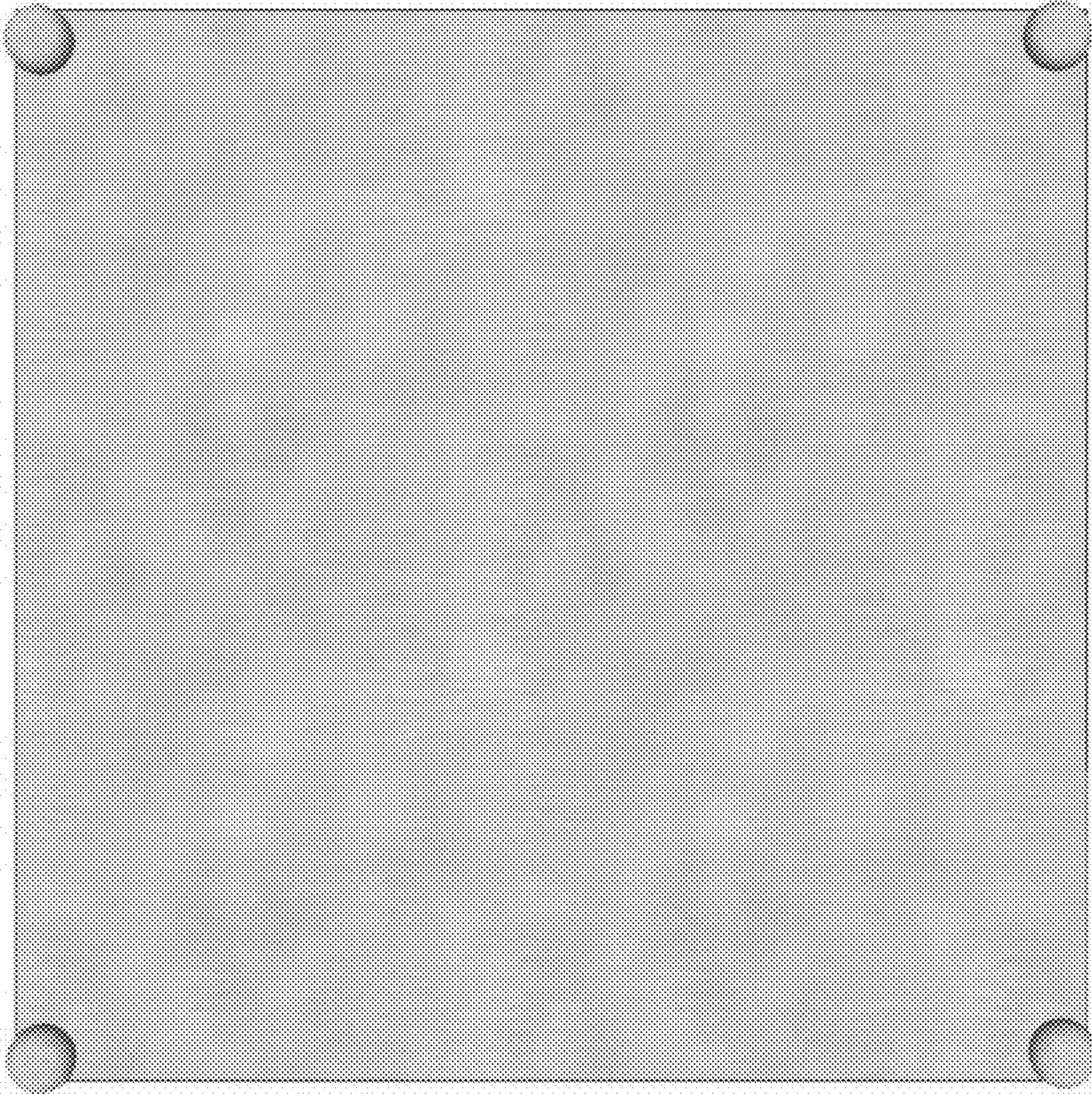


FIG. 12