



US00D664786S

(12) **United States Design Patent**
Keller et al.

(10) **Patent No.:** **US D664,786 S**

(45) **Date of Patent:** **** Aug. 7, 2012**

(54) **CHAIR**

(75) Inventors: **Miles Colin Keller**, Toronto (CA); **Gary Neil**, Mississauga (CA)

(73) Assignee: **Allseating Corporation**, Mississauga (CA)

(**) Term: **14 Years**

(21) Appl. No.: **29/392,278**

(22) Filed: **May 19, 2011**

(51) **LOC (9) Cl.** **06-01**

(52) **U.S. Cl.** **D6/376**

(58) **Field of Classification Search** D6/334-335,
D6/374, 376, 379-380, 499, 500-502; 297/411.29,
297/445.1, 446.1, 452.12, 452.14, 452.18,
297/452.19, 448.1

See application file for complete search history.

(56) **References Cited**

U.S. PATENT DOCUMENTS

D339,006 S *	9/1993	Schneider	D6/375
D456,164 S *	4/2002	Vanderiet et al.	D6/374
D517,824 S *	3/2006	Pensi	D6/379
D535,133 S *	1/2007	Egger	D6/501
D540,559 S *	4/2007	Neil	D6/379
D547,963 S *	8/2007	Olano	D6/379
D581,689 S *	12/2008	Marini	D6/380

D587,477 S *	3/2009	Neil	D6/379
D592,876 S *	5/2009	Smith et al.	D6/380
D594,669 S *	6/2009	Asano	D6/376
D600,035 S *	9/2009	Olano Jauregui	D6/375
D601,822 S *	10/2009	Neil	D6/379
D602,277 S *	10/2009	Neil	D6/379
D638,641 S *	5/2011	Piretti	D6/500
D648,558 S *	11/2011	Lievore et al.	D6/372
D648,563 S *	11/2011	Lievore et al.	D6/375
D649,804 S *	12/2011	Keller et al.	D6/376
D650,197 S *	12/2011	Kang	D6/380
D650,616 S *	12/2011	Piretti	D6/500
D655,527 S *	3/2012	Pillet	D6/374

* cited by examiner

Primary Examiner — Kelley Donnelly

(74) *Attorney, Agent, or Firm* — Norton Rose Canada LLP

(57) **CLAIM**

The ornamental design for a chair, as shown and described.

DESCRIPTION

FIG. 1 is a front perspective view of the chair.

FIG. 2 is a back perspective view of the chair.

FIG. 3 is a right side view of the chair.

FIG. 4 is a front plan view of the chair.

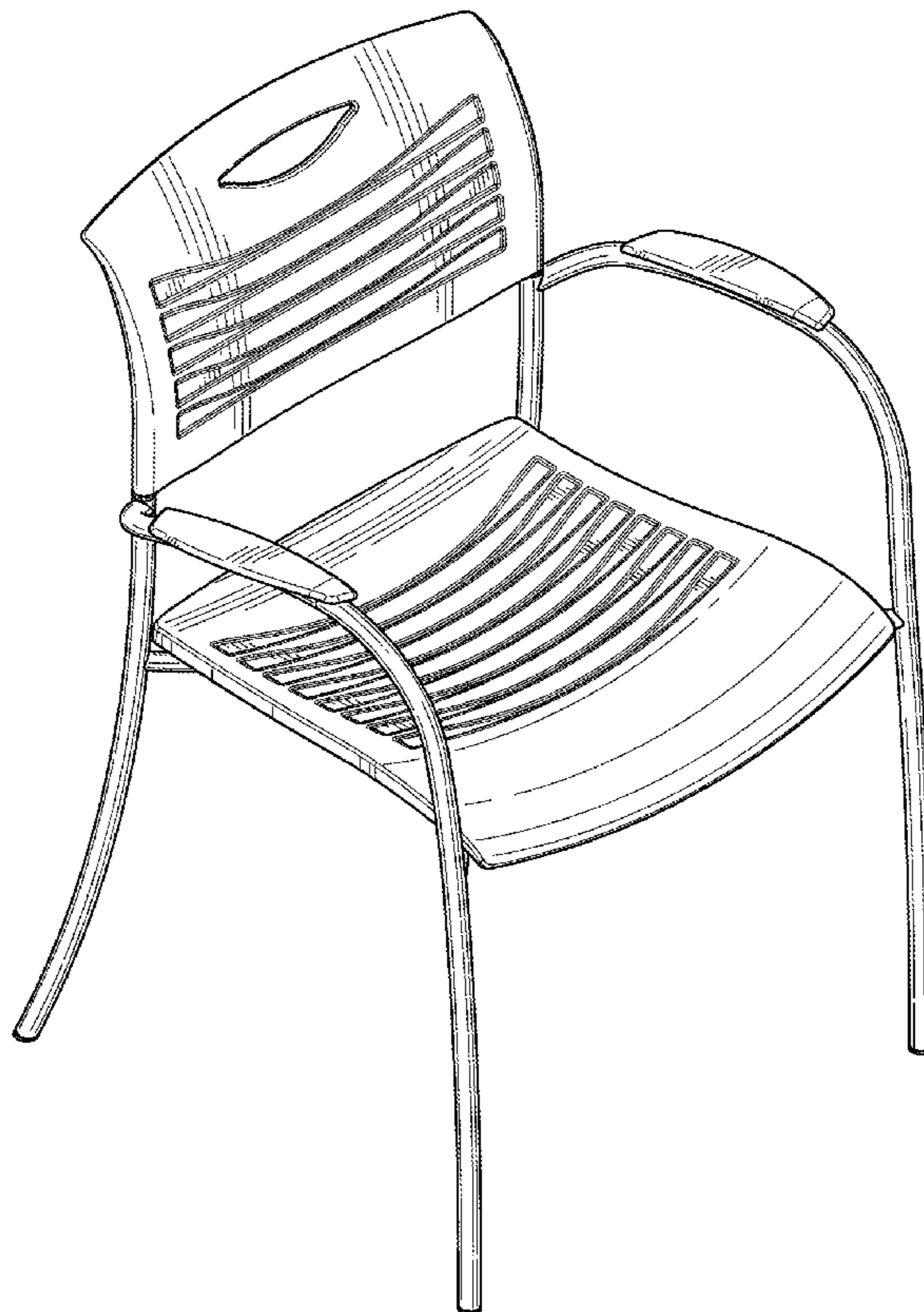
FIG. 5 is a left side view of the chair.

FIG. 6 is a back plan view of the chair.

FIG. 7 is a top plan view of the chair; and,

FIG. 8 is a bottom plan view of the chair.

1 Claim, 5 Drawing Sheets



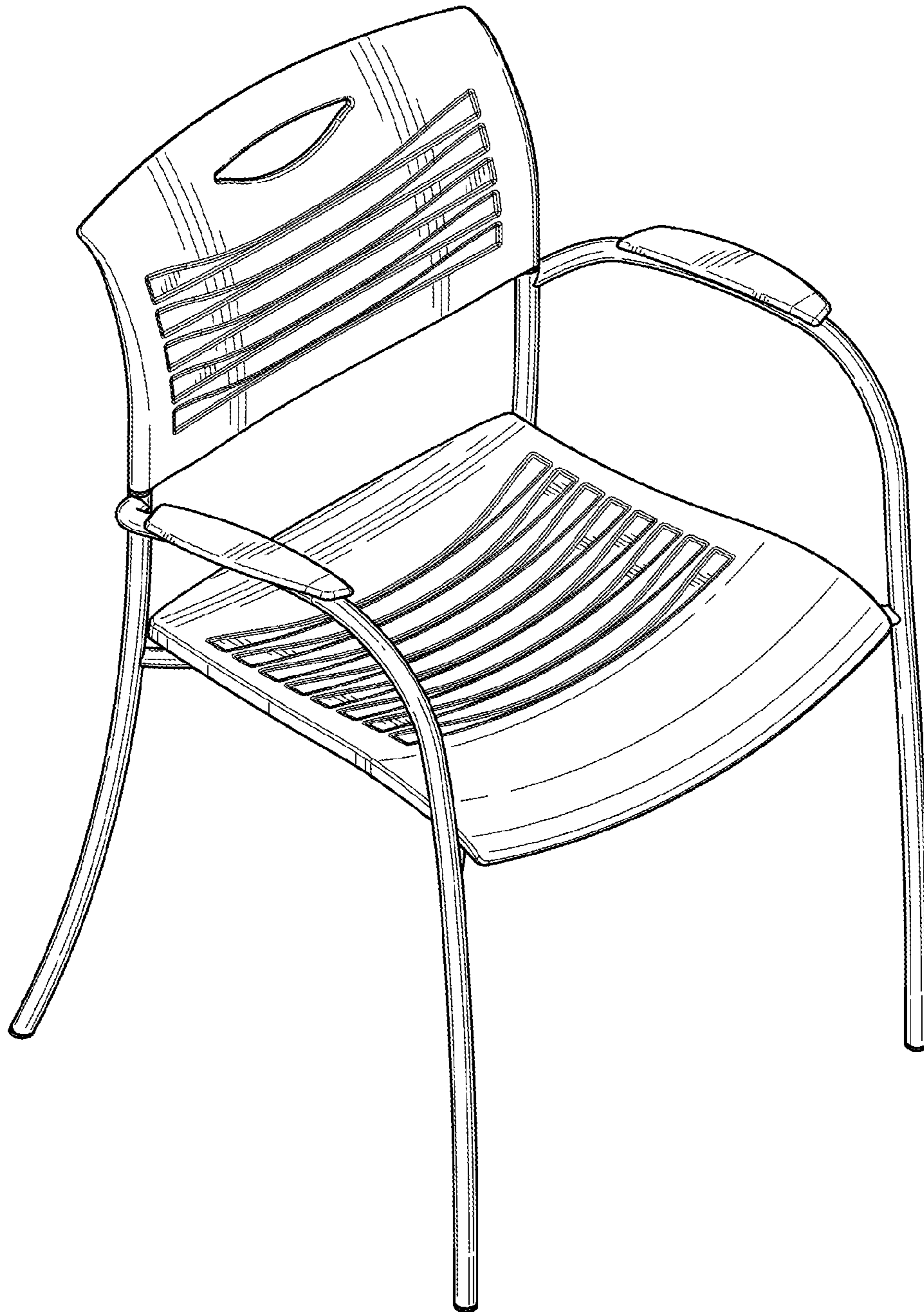


FIG. 1

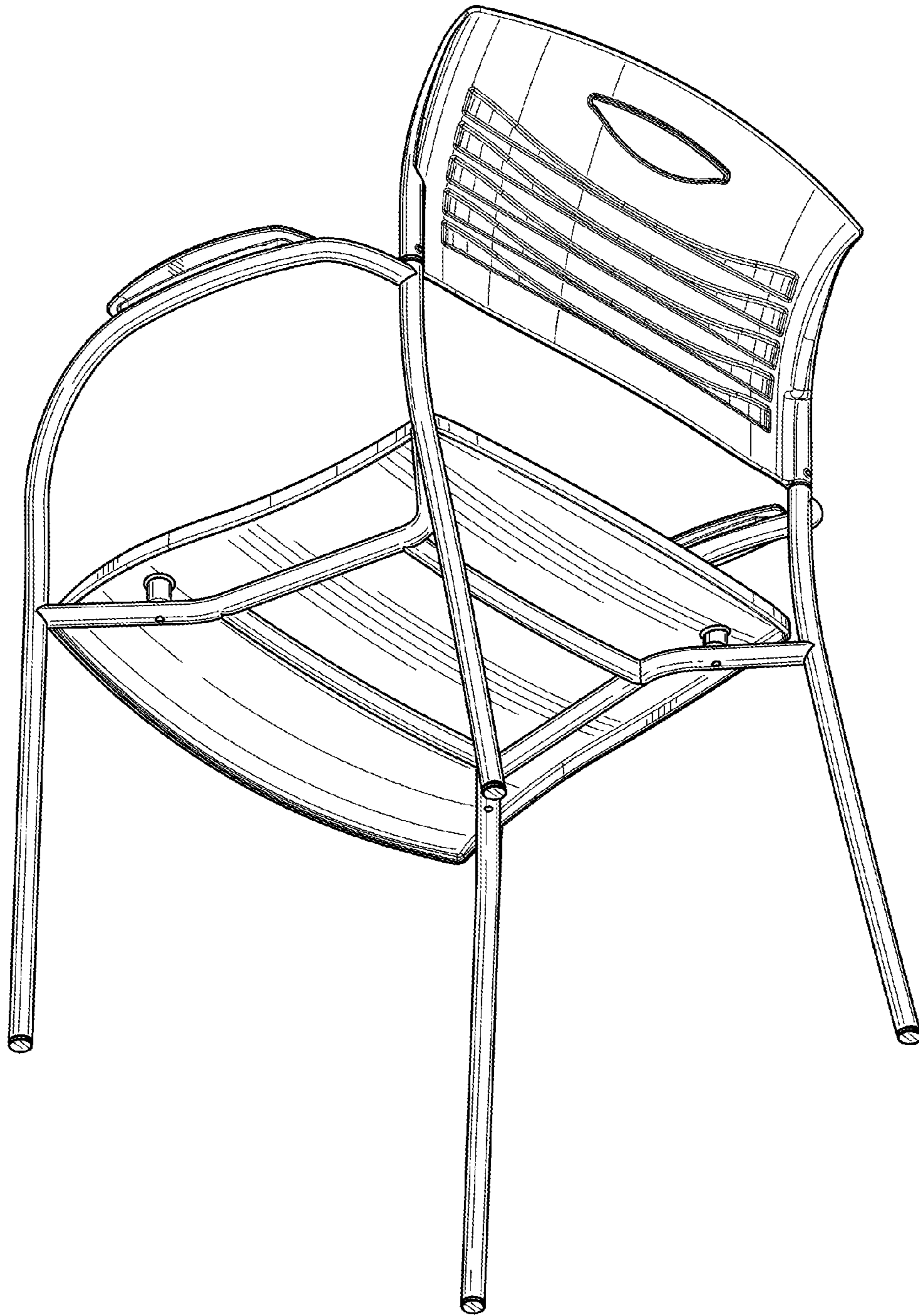


FIG. 2

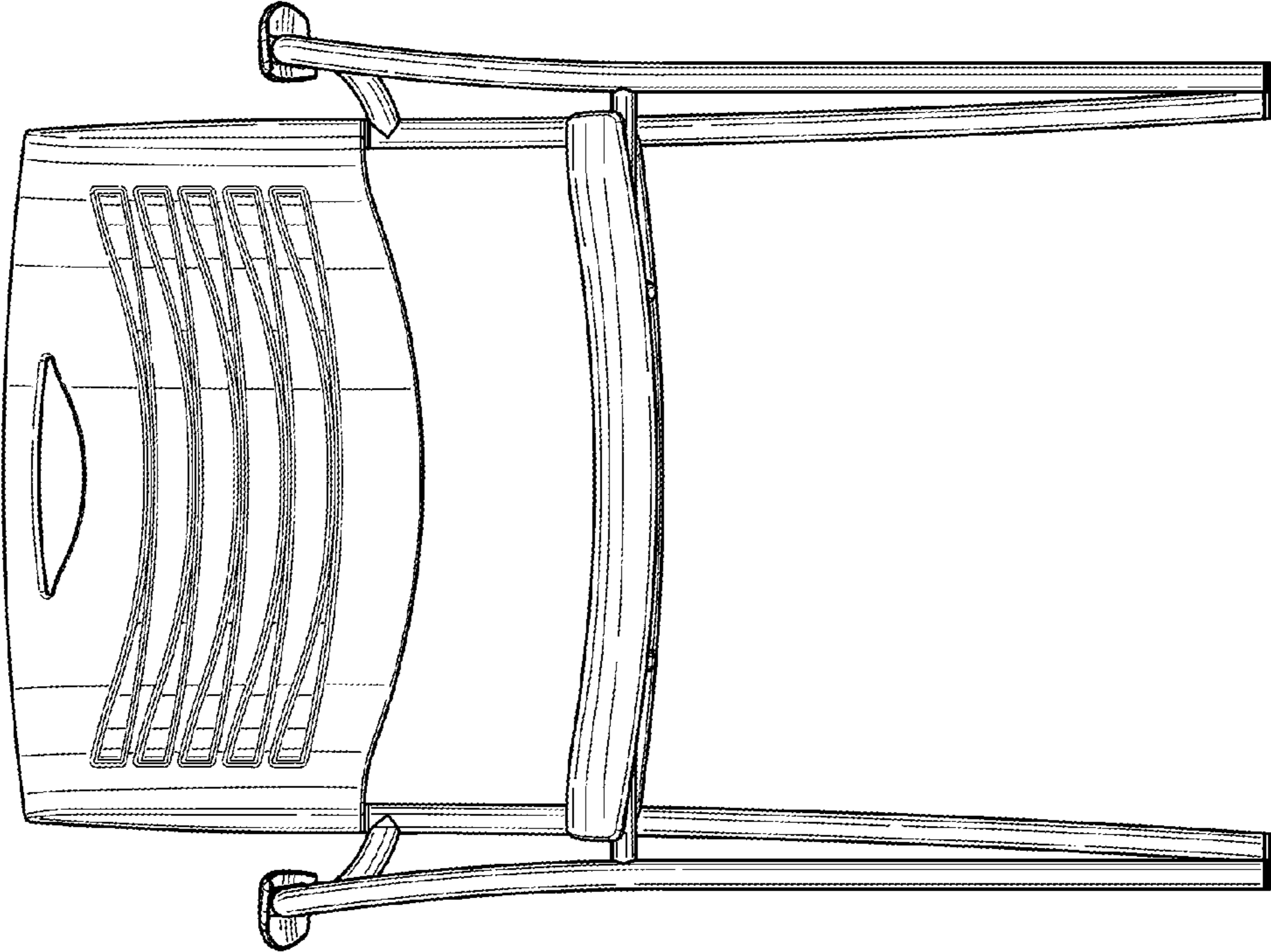


FIG. 4

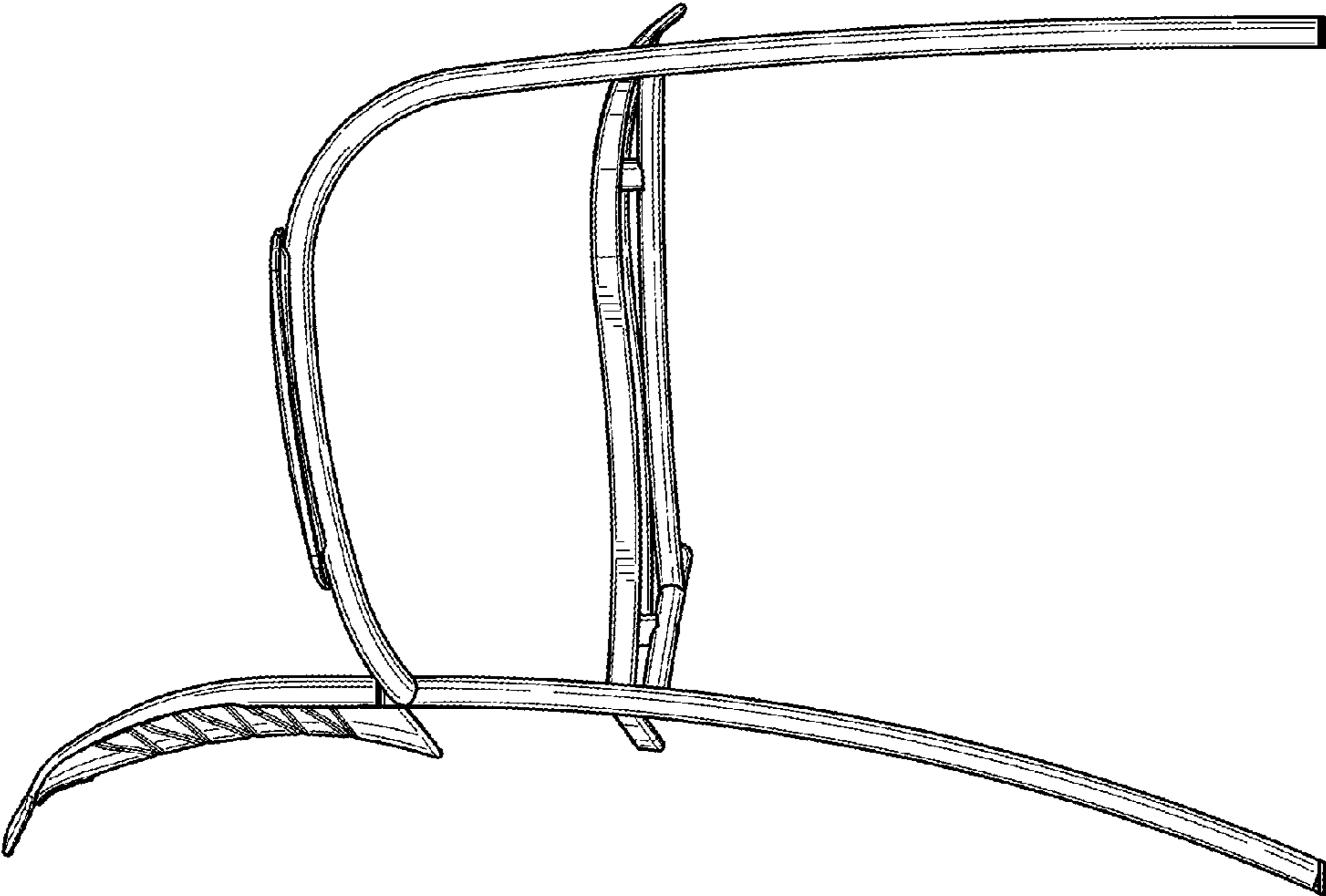


FIG. 3

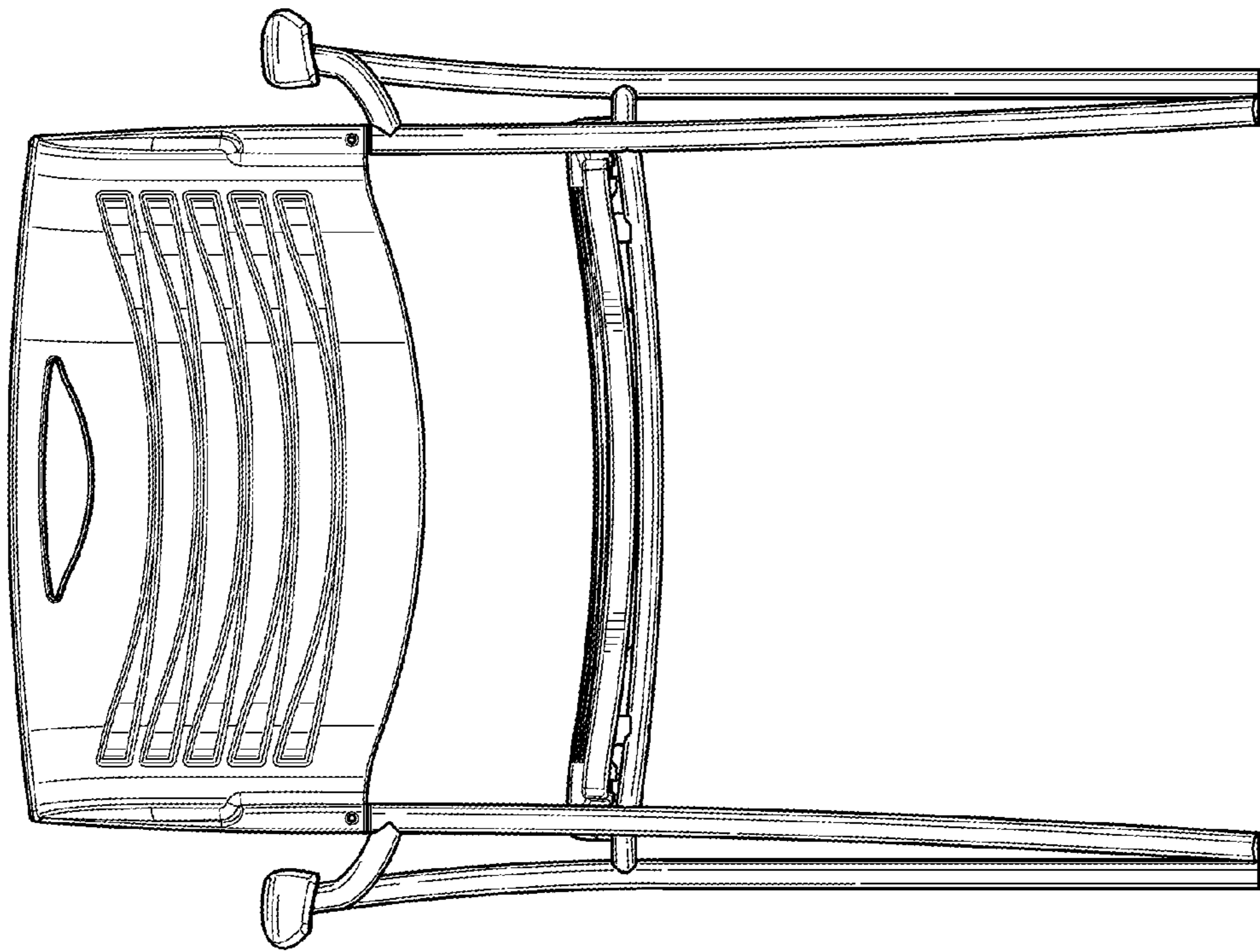


FIG. 6

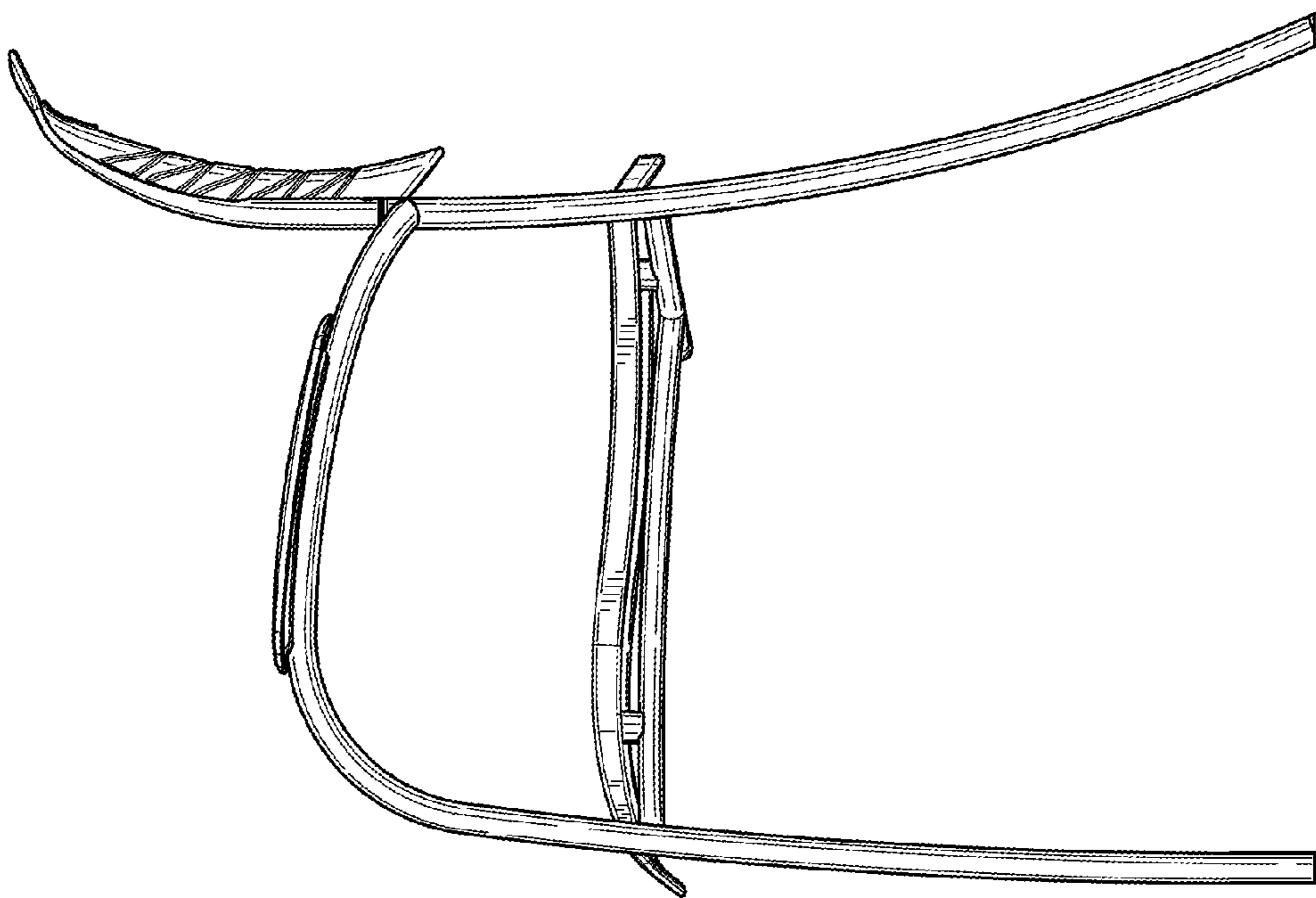


FIG. 5

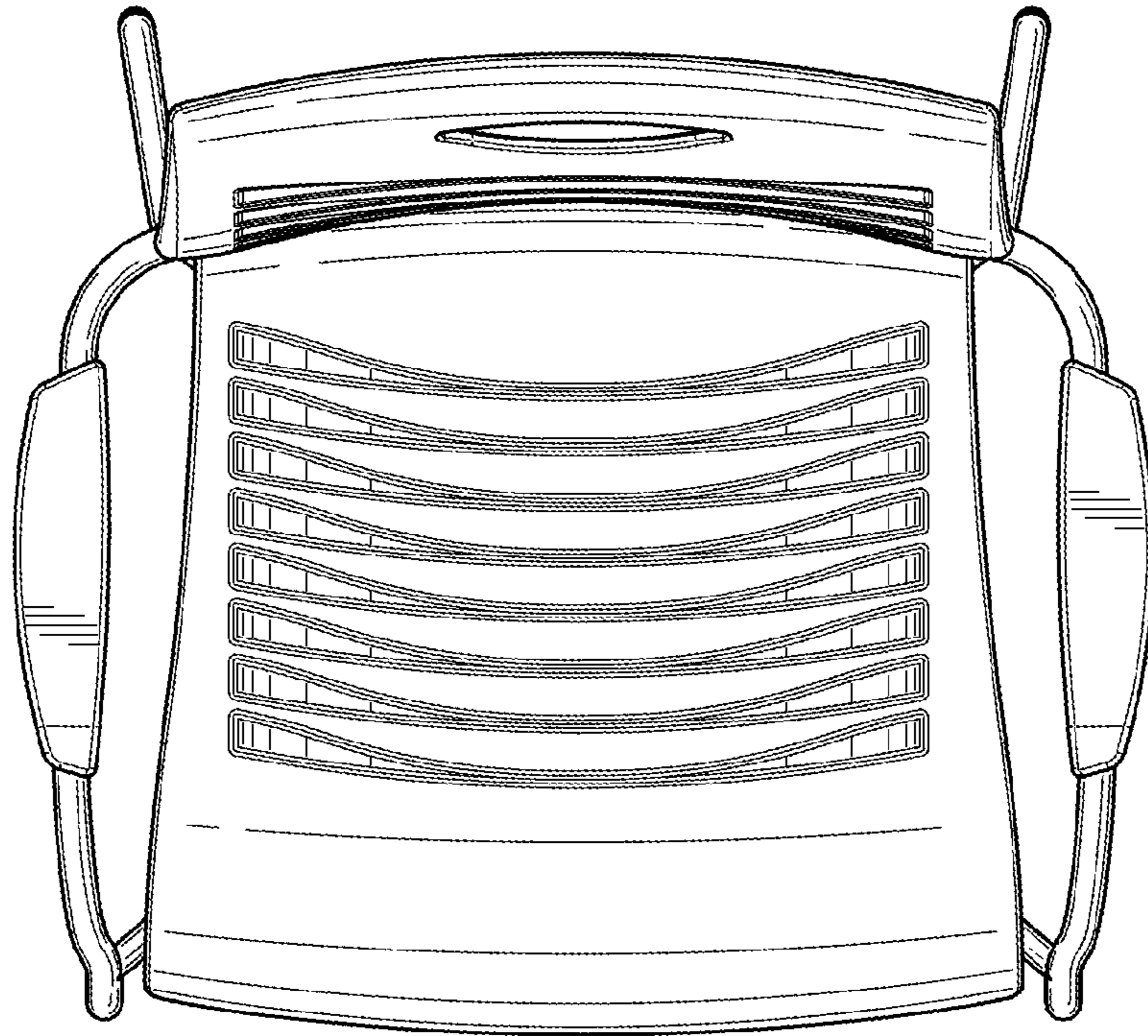


FIG. 7

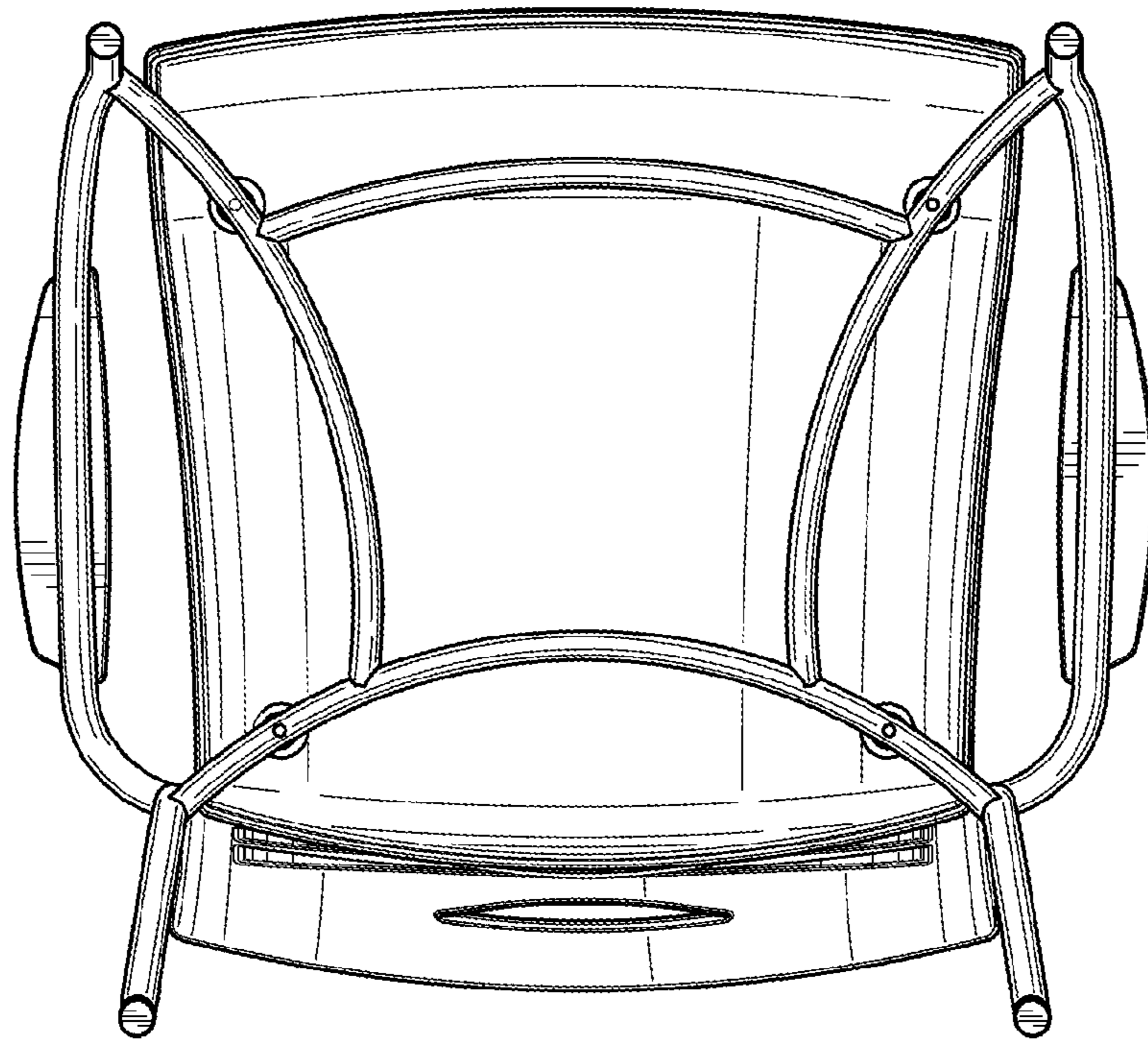


FIG. 8