



US00D664785S

(12) **United States Design Patent**
Fletcher et al.

(10) **Patent No.:** **US D664,785 S**
(45) **Date of Patent:** **** Aug. 7, 2012**

(54) **CHAIR**

(75) Inventors: **Lee David Fletcher**, Toronto (CA);
Terence Douglas Woodside, Toronto
(CA); **Gary Neil**, Mississauga (CA)

(73) Assignee: **Allseating Corporation**, Mississauga
(CA)

(**) Term: **14 Years**

(21) Appl. No.: **29/392,268**

(22) Filed: **May 19, 2011**

(51) **LOC (9) Cl.** **06-01**

(52) **U.S. Cl.** **D6/376**

(58) **Field of Classification Search** D6/334-335,
D6/374, 376, 379-380, 499, 500-502; 297/411.29,
297/445.1, 446.1, 452.12, 452.14, 452.18,
297/452.19, 448.1

See application file for complete search history.

(56) **References Cited**

U.S. PATENT DOCUMENTS

D309,386 S *	7/1990	Buhk	D6/379
D314,285 S *	2/1991	Favaretto	D6/373
D449,938 S *	11/2001	Vanderiet et al.	D6/380
D456,164 S *	4/2002	Vanderiet et al.	D6/374
D475,211 S *	6/2003	Neil	D6/374
D505,801 S *	6/2005	Cesaroni et al.	D6/379
D512,238 S *	12/2005	Chen	D6/380
D512,846 S *	12/2005	Goodworth	D6/374
D513,902 S *	1/2006	Piretti	D6/380
D517,828 S *	3/2006	Magnani et al.	D6/380
D519,294 S *	4/2006	Frenkler et al.	D6/375

D564,264 S *	3/2008	Smith et al.	D6/500
D566,412 S *	4/2008	de Brabandere et al.	D6/375
D575,542 S *	8/2008	Igarashi	D6/380
D581,689 S *	12/2008	Marini	D6/380
D591,526 S *	5/2009	Breen	D6/379
D591,527 S *	5/2009	Breen	D6/379
D592,876 S *	5/2009	Smith et al.	D6/380
D612,164 S *	3/2010	Lucci et al.	D6/368
D622,974 S *	9/2010	Igarashi	D6/379
D643,640 S *	8/2011	DeSanta et al.	D6/366
D650,197 S *	12/2011	Kang	D6/380
D655,102 S *	3/2012	Yetman et al.	D6/373
8,132,860 B2 *	3/2012	Fookes et al.	297/411.2

* cited by examiner

Primary Examiner — Kelley Donnelly

(74) *Attorney, Agent, or Firm* — Norton Rose Canada LLP

(57) **CLAIM**

The ornamental design for a chair, as shown and described.

DESCRIPTION

FIG. 1 is a front perspective view of the chair.

FIG. 2 is a back perspective view of the chair.

FIG. 3 is a right side view of the chair.

FIG. 4 is a front plan view of the chair.

FIG. 5 is a left side view of the chair.

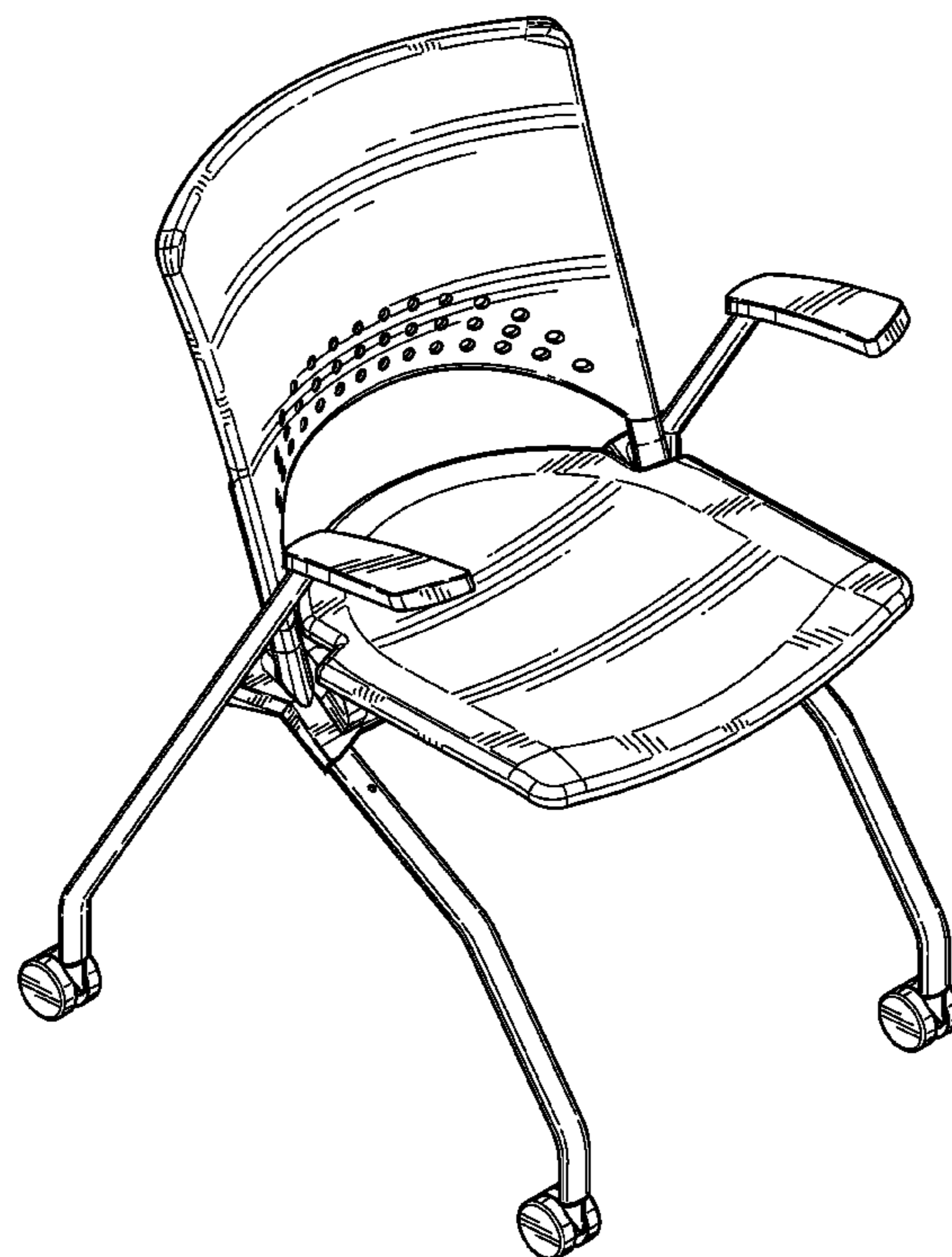
FIG. 6 is a back plan view of the chair.

FIG. 7 is a top plan view of the chair; and,

FIG. 8 is a bottom plan view of the chair.

The broken lines showing in FIGS. 2, 4, and 8 are for the purpose of illustrating the environment of the design only and form no part of the claimed design.

1 Claim, 5 Drawing Sheets



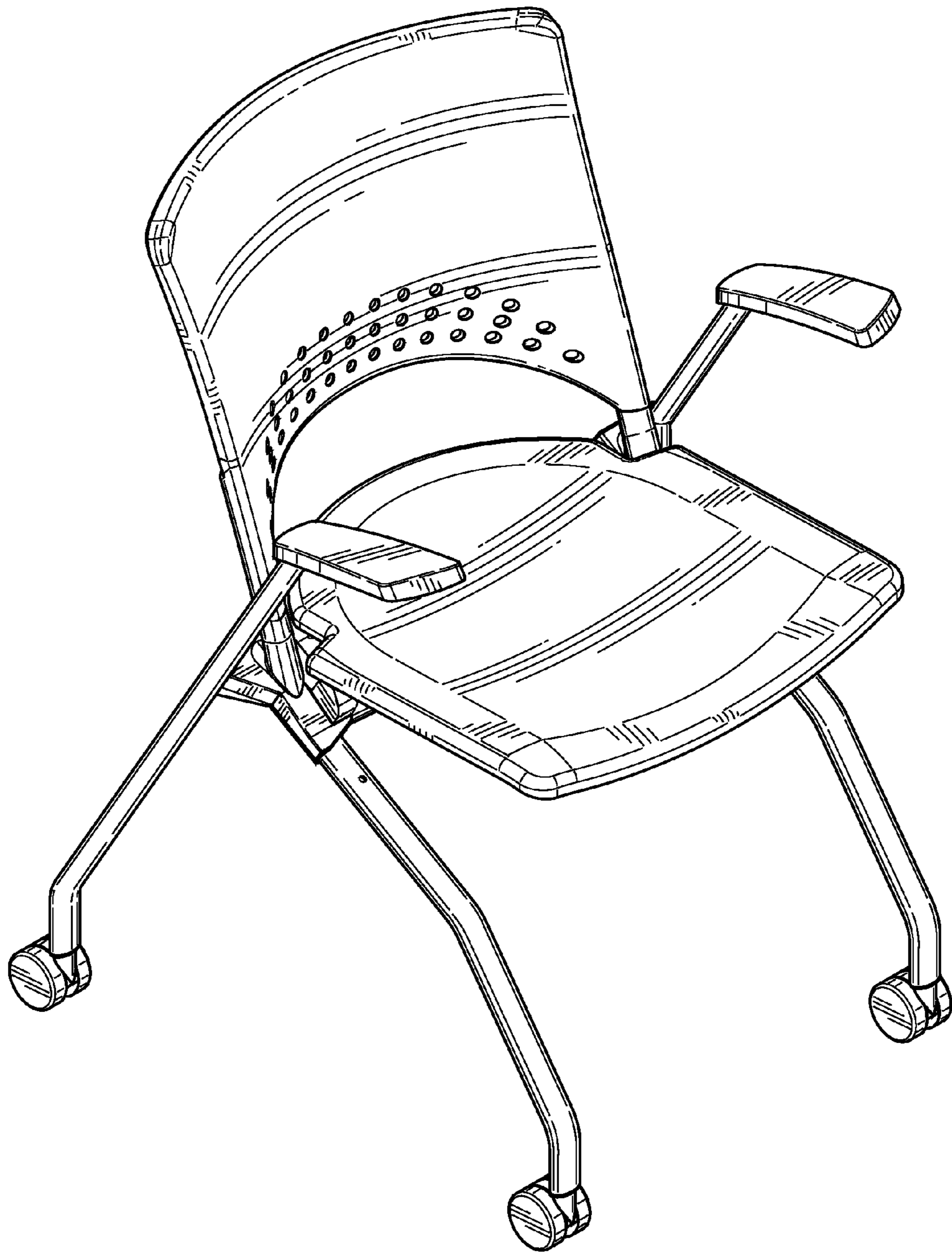


FIG. 1

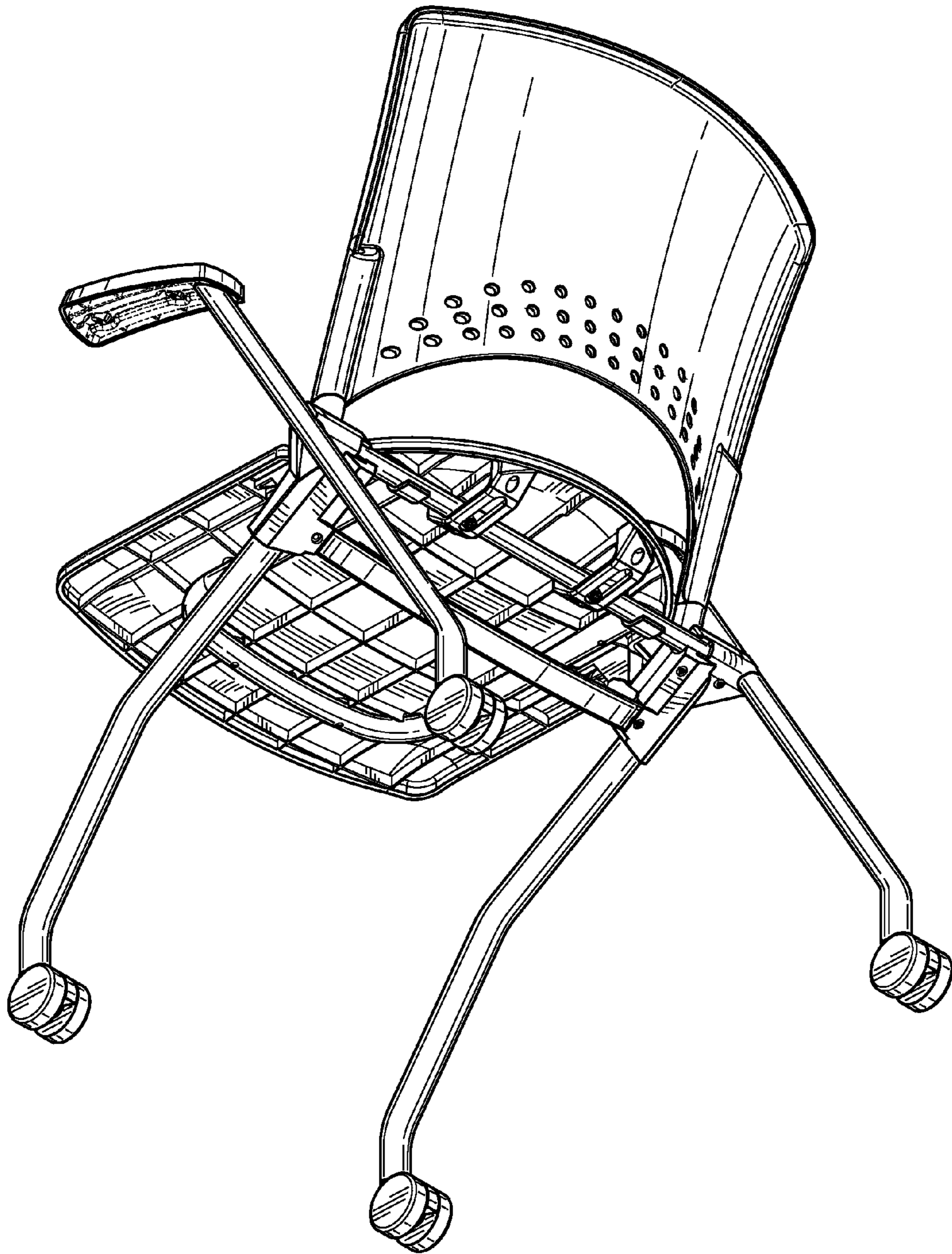


FIG. 2

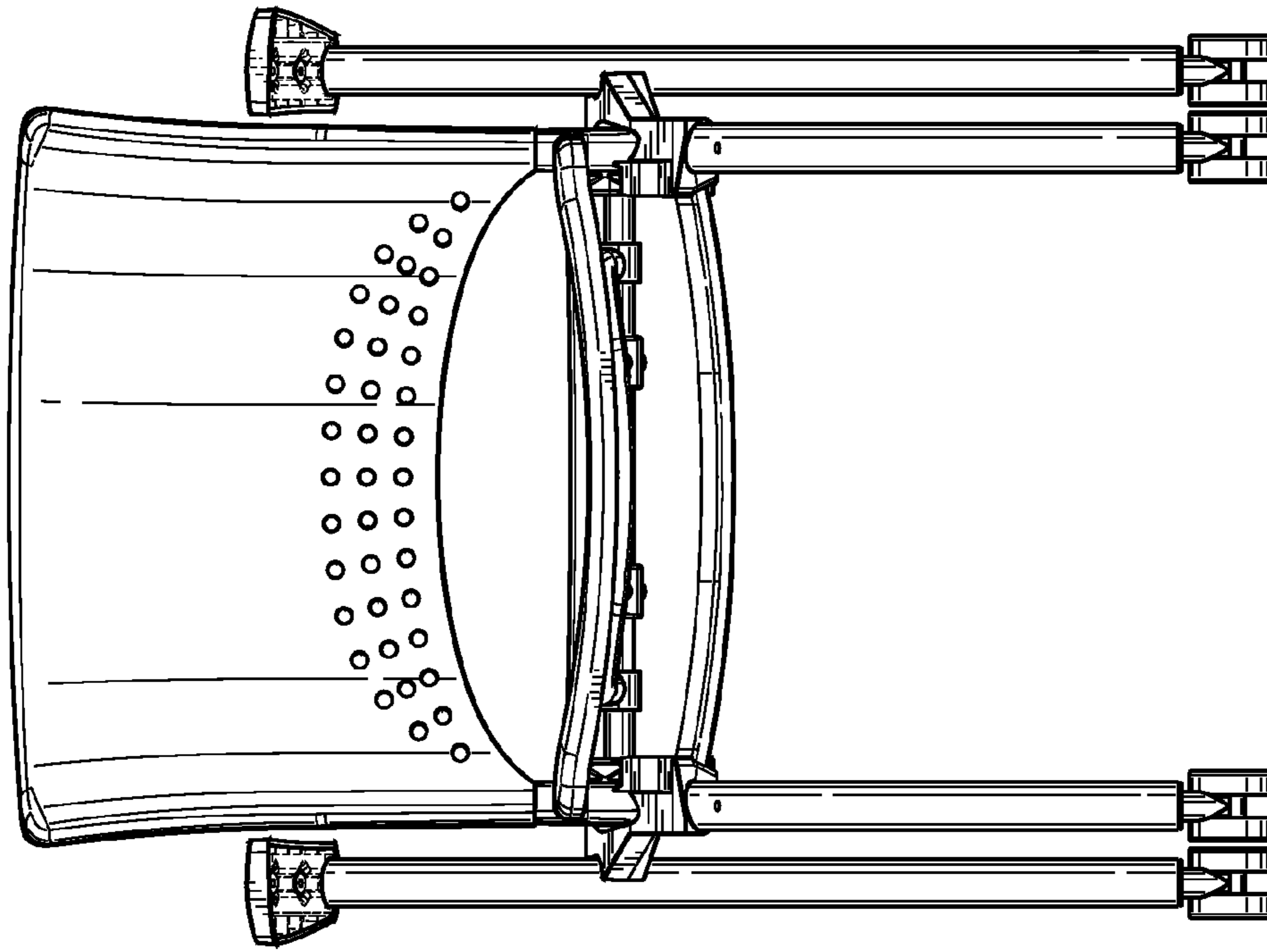


FIG. 4

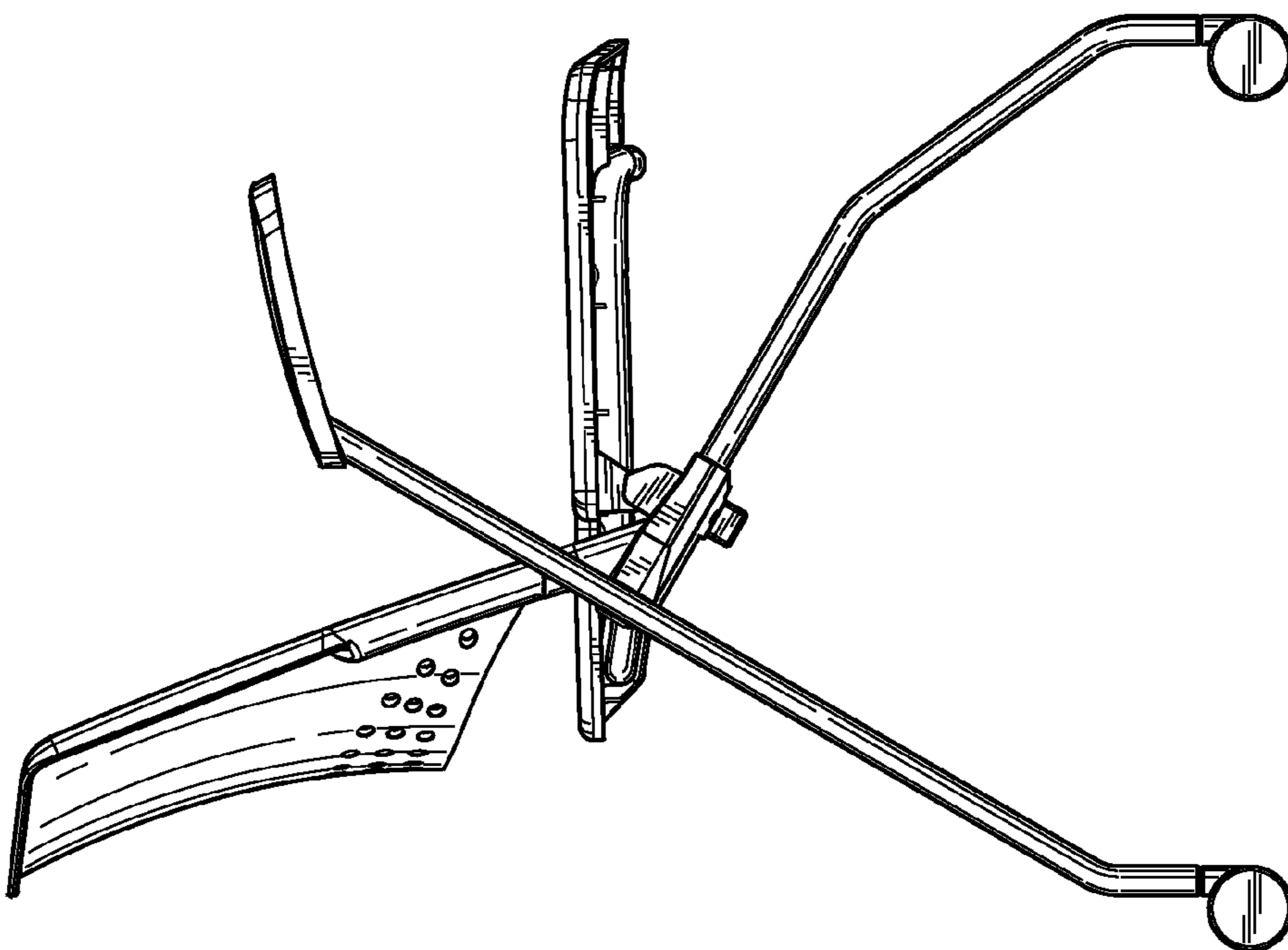


FIG. 3

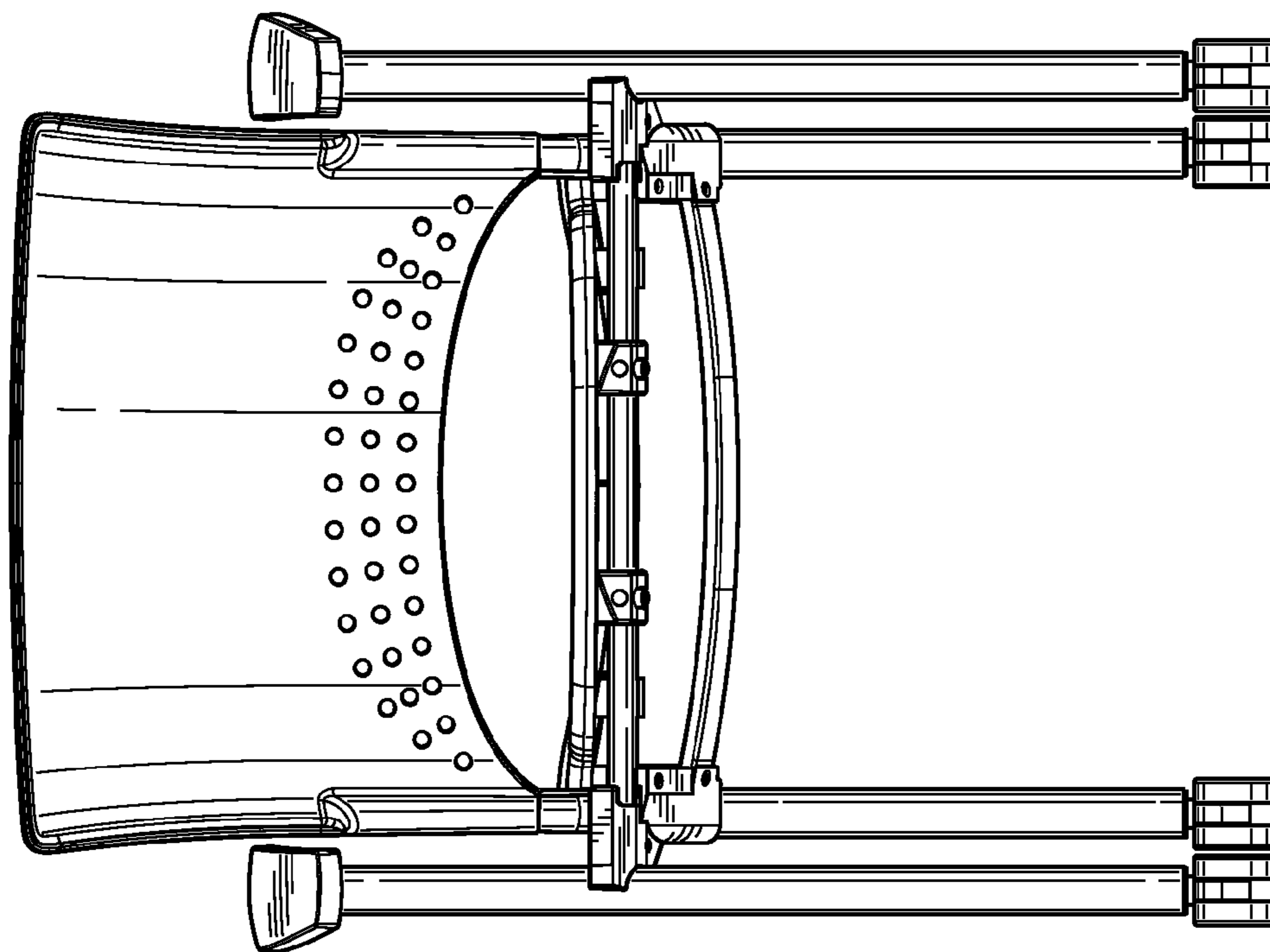


FIG. 6

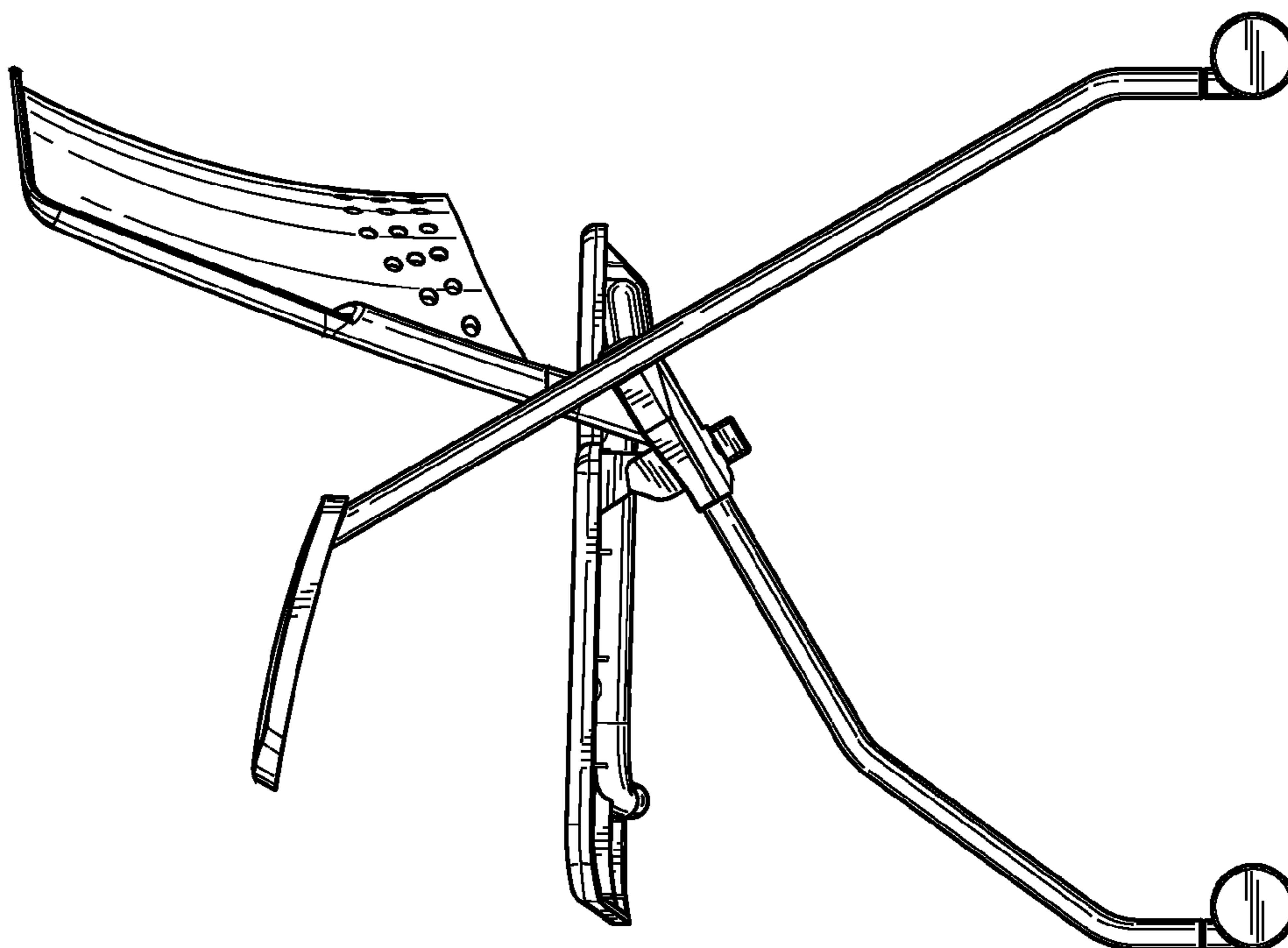


FIG. 5

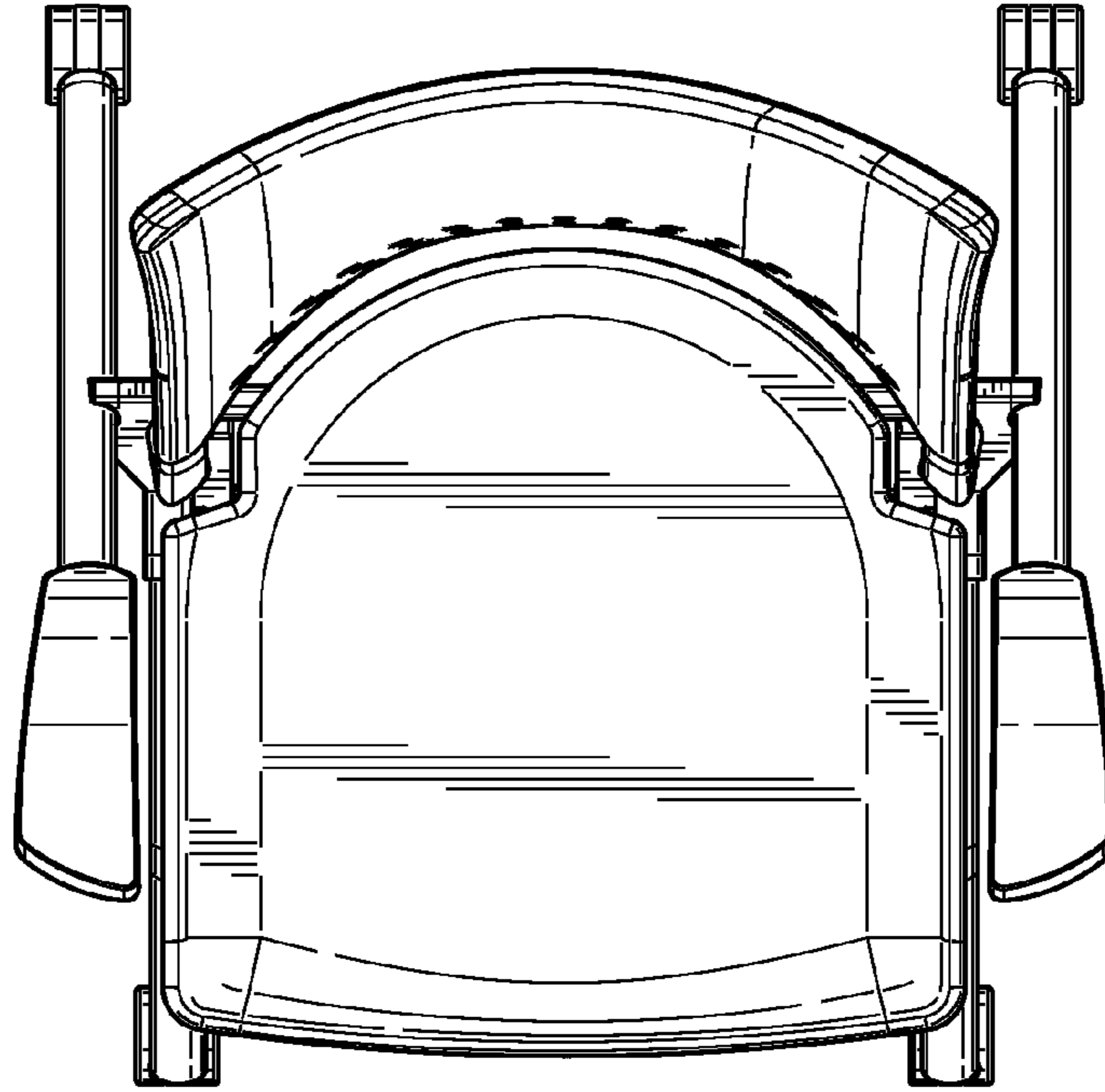


FIG. 7

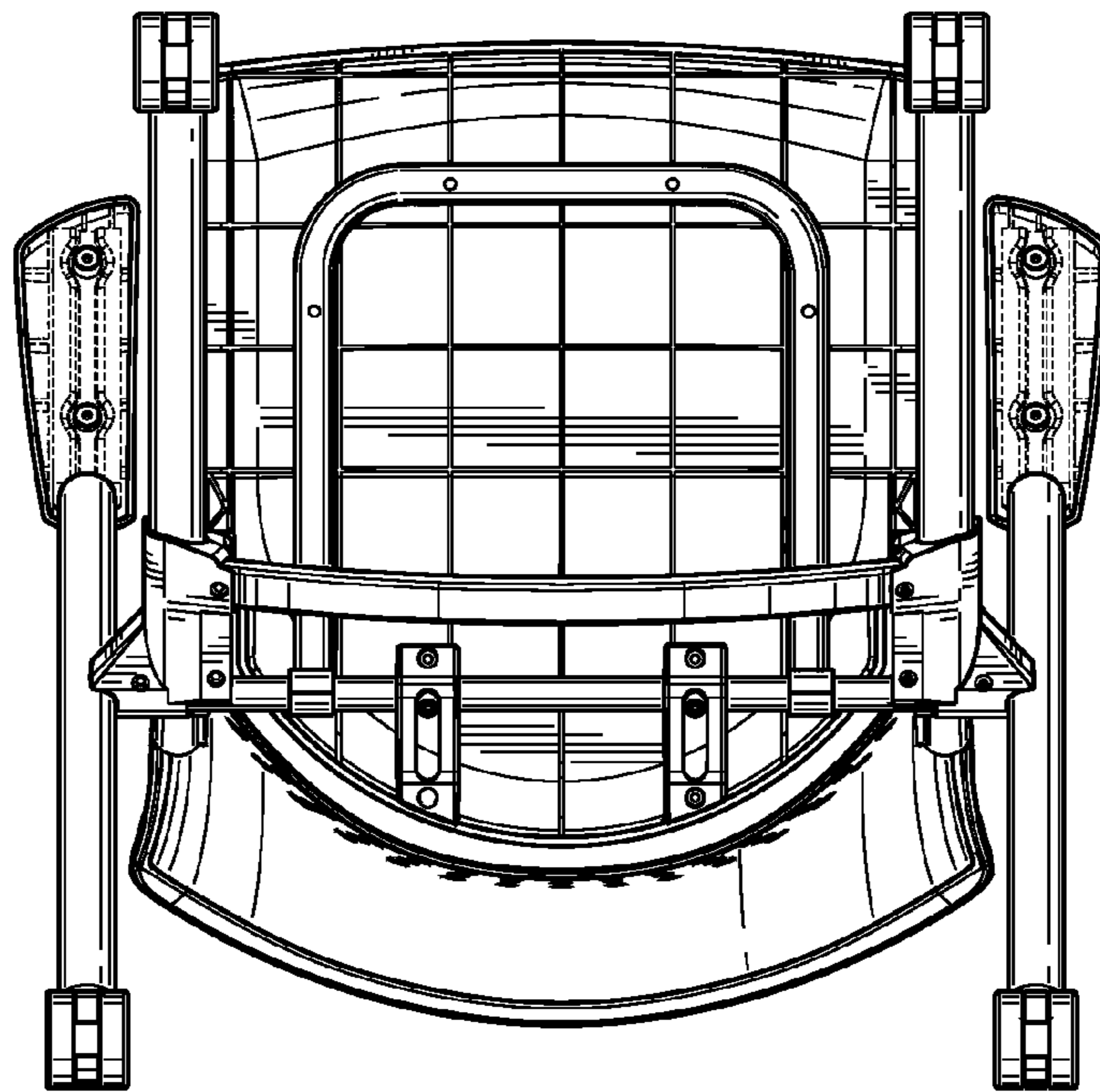


FIG. 8