



US00D664781S

(12) **United States Design Patent**
Colvin et al.

(10) **Patent No.:** **US D664,781 S**

(45) **Date of Patent:** **** Aug. 7, 2012**

(54) **FAUX BOIS BENCH**

(76) Inventors: **Joseph Colvin**, San Antonio, TX (US);
Daniel Hastings, San Antonio, TX (US)

(**) Term: **14 Years**

(21) Appl. No.: **29/359,524**

(22) Filed: **Apr. 12, 2010**

(51) **LOC (9) Cl.** **06-01**

(52) **U.S. Cl.** **D6/358**

(58) **Field of Classification Search** D6/310,
D6/334-336, 348, 358-381, 500-502; 297/271.6,
297/297, 299, 300.4, 301.3, 354.1, 411.2,
297/411.27, 411.28, 445.1, 446.1, 452.13
See application file for complete search history.

(56) **References Cited**

U.S. PATENT DOCUMENTS

D351,290 S	*	10/1994	Chen	D6/358
D369,922 S	*	5/1996	Kim et al.	D6/381
D381,826 S	*	8/1997	Lin	D6/370
D405,302 S	*	2/1999	Lum	D6/502

D406,701 S	*	3/1999	Slear	D6/376
D413,738 S	*	9/1999	Hornyak	D6/370
D454,453 S	*	3/2002	Lin	D6/502
D457,741 S	*	5/2002	Slear	D6/370

* cited by examiner

Primary Examiner — Ricky Pham

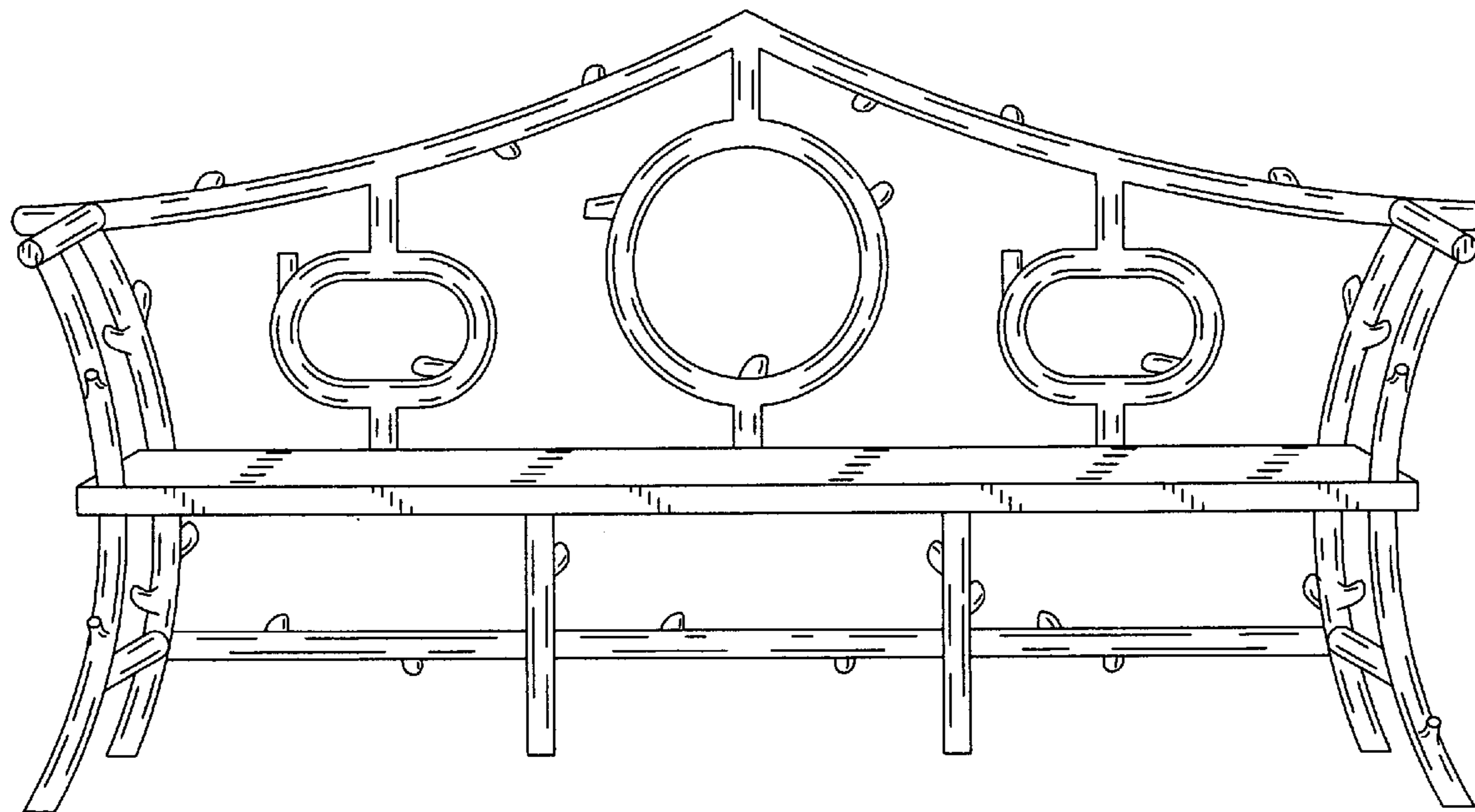
(57) **CLAIM**

The ornamental design for a faux bois bench, as shown and described.

DESCRIPTION

FIG. 1 is a perspective view of a faux bois bench.
FIG. 2 is an enlarged perspective view of the right side of the faux bois bench of FIG. 1;
FIG. 3 is an enlarged perspective view of the left side of the faux bois bench of FIG. 1; and,
FIG. 4 is a perspective view of the bottom half of the faux bois bench of FIG. 1.
The tag on the faux bois bench of FIG. 4 form no part of the claimed design.

1 Claim, 4 Drawing Sheets



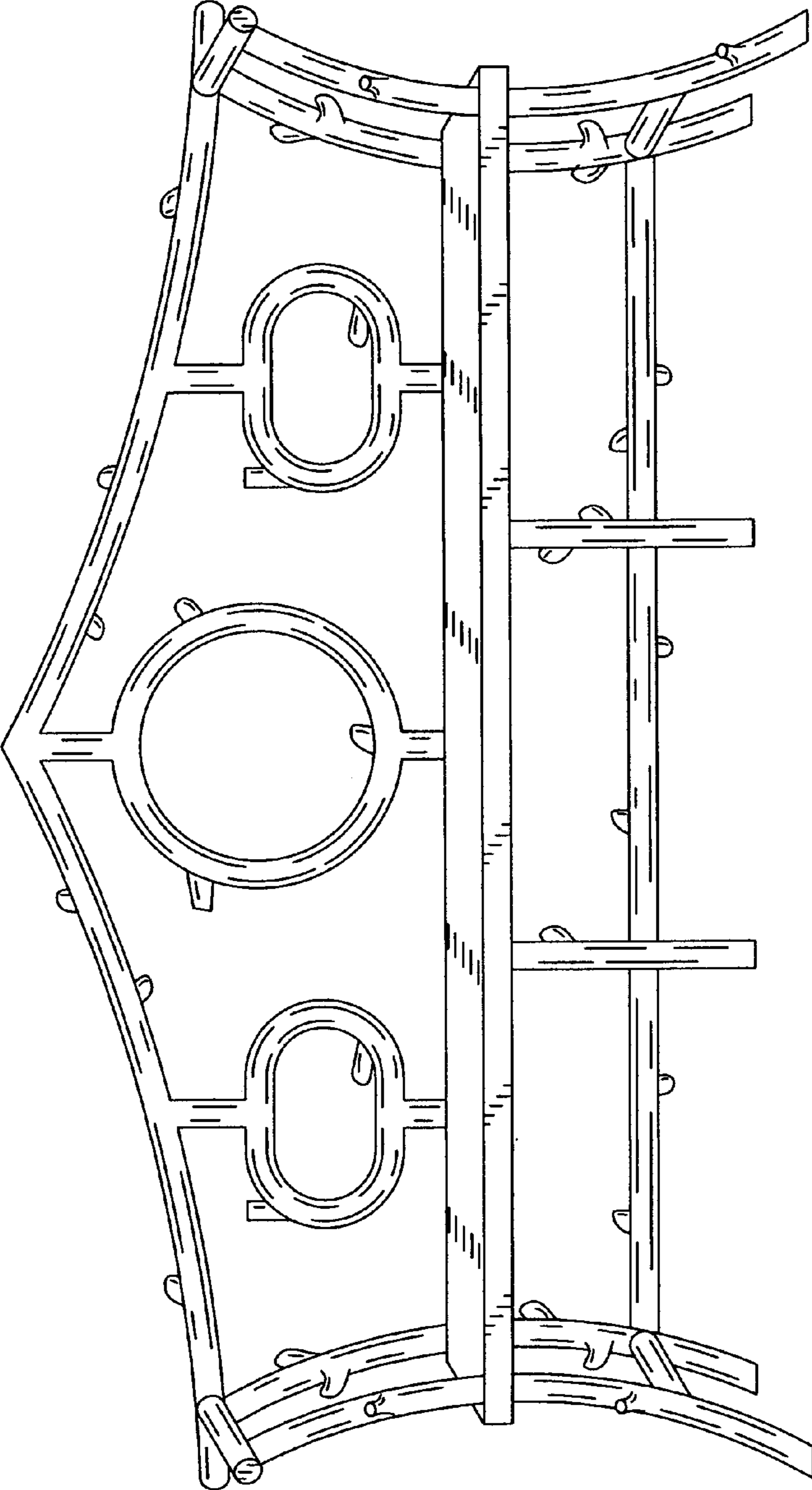


FIG. 1

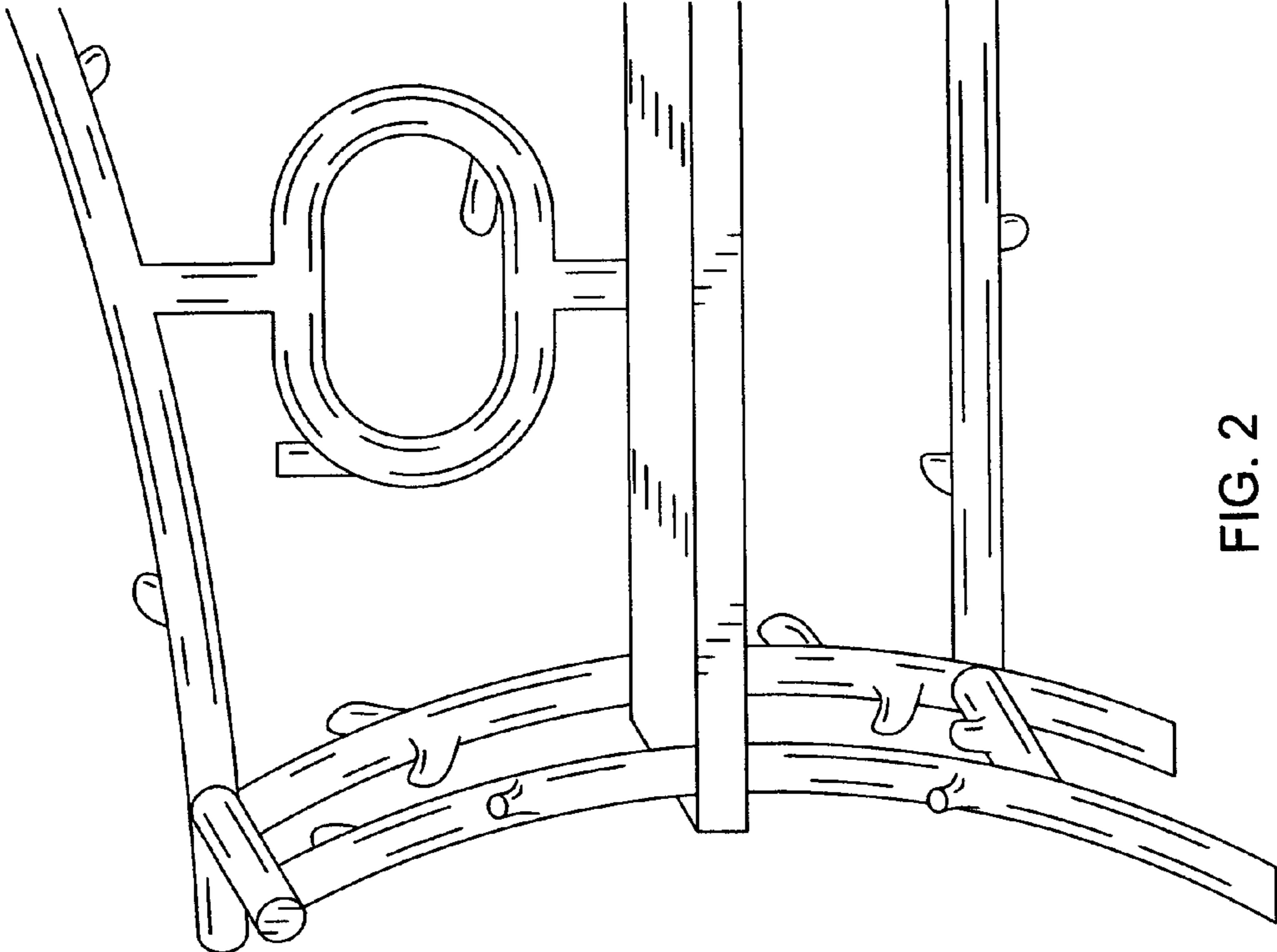


FIG. 2

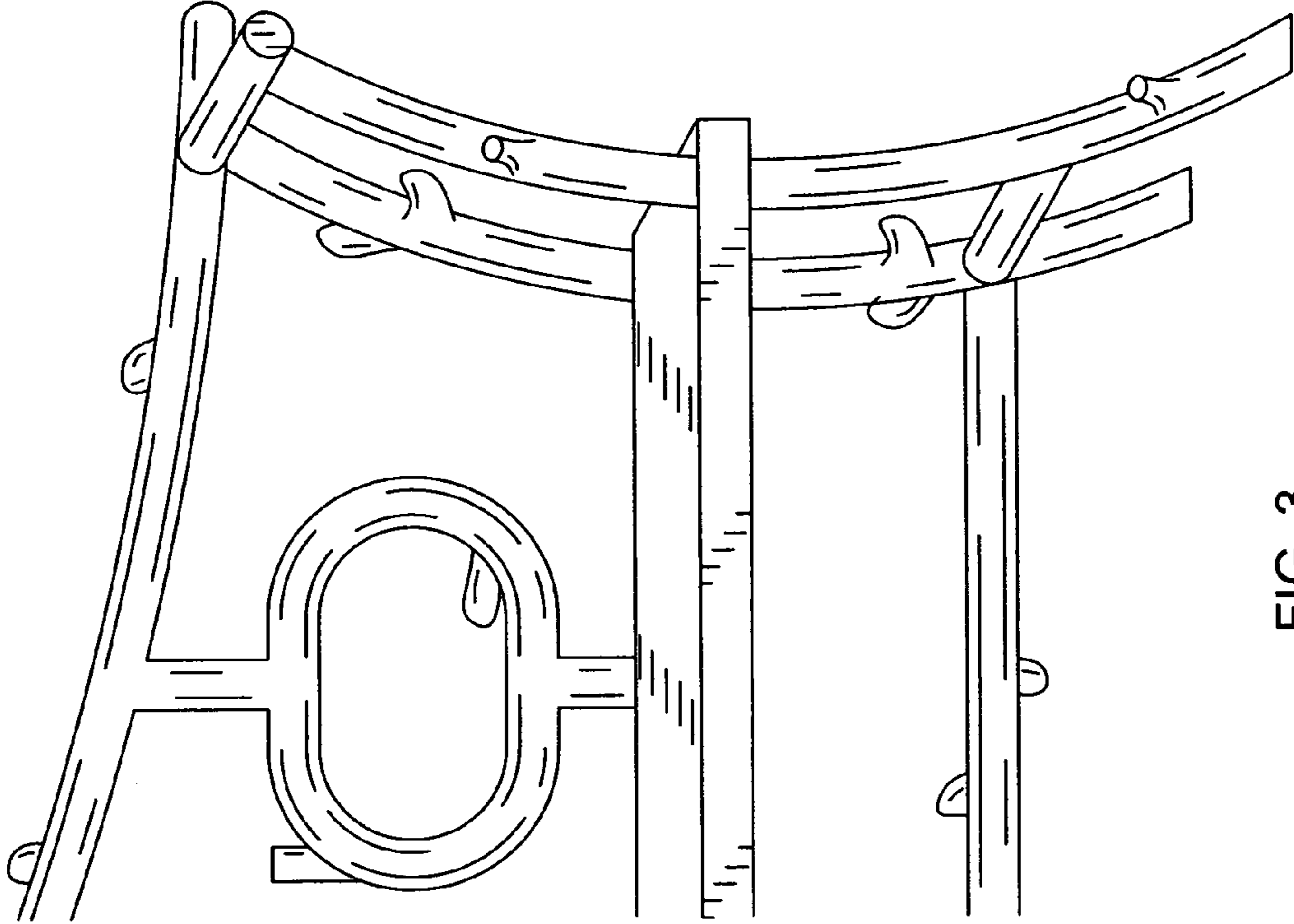


FIG. 3

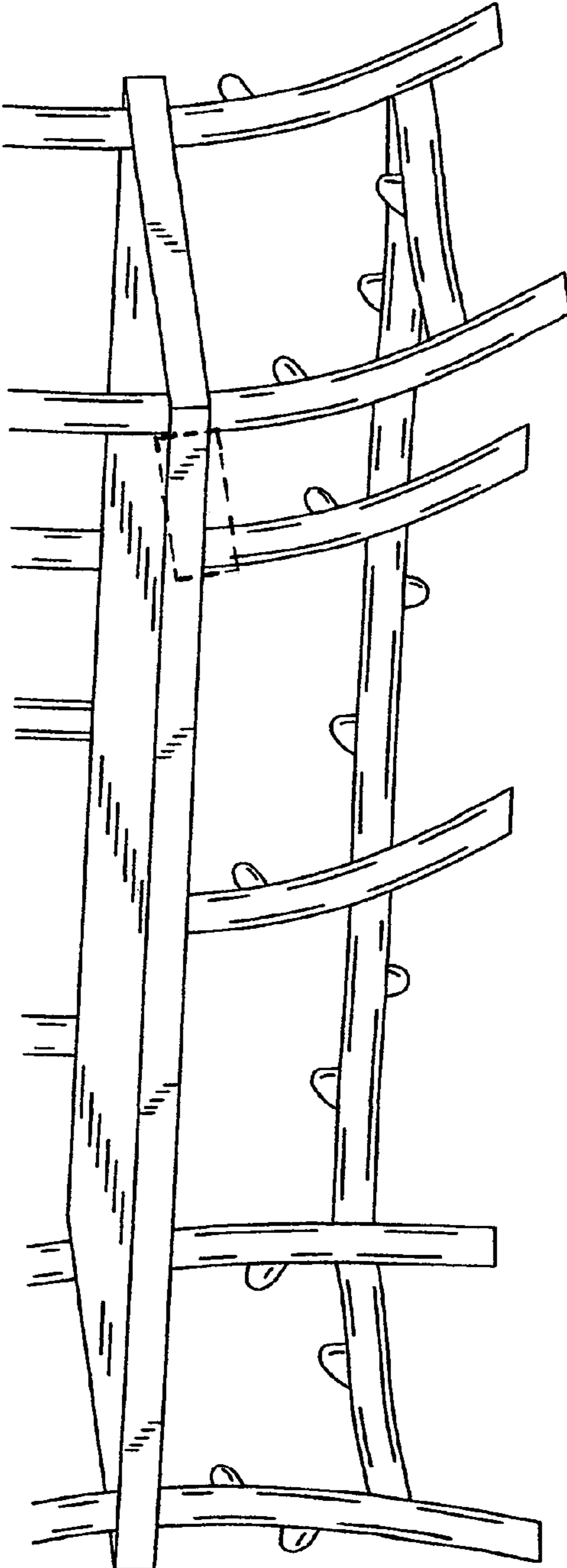


FIG. 4