



US00D664779S

(12) **United States Design Patent**
Weber et al.

(10) **Patent No.:** **US D664,779 S**

(45) **Date of Patent:** **** Aug. 7, 2012**

(54) **STOOL**

(75) Inventors: **Reinhard Weber**, Minden (DE);
Thomas Braun, Tauberbischofsheim
(DE); **Walter Richter**,
Tauberbischofsheim (DE); **John**
Harding, Tauberbischofsheim (DE)

(73) Assignee: **VS Vereinige Spezialmoebelfabriken**
GmbH & Co. KG, Tauberischofsheim
(DE)

(**) Term: **14 Years**

(21) Appl. No.: **29/363,107**

(22) Filed: **Jun. 4, 2010**

(30) **Foreign Application Priority Data**

Mar. 15, 2010 (DE) 20 2010 003 608 U

(51) **LOC (9) Cl.** **06-01**

(52) **U.S. Cl.** **D6/349**

(58) **Field of Classification Search** D6/335,
D6/336, 337, 338, 339, 349, 350, 351, 352,
D6/353; 291/175, 451.2, 452.11, 452.12,
291/461, 462; 5/12.1, 12.2

See application file for complete search history.

(56) **References Cited**

U.S. PATENT DOCUMENTS

D15,999 S * 3/1885 Mitchell D5/16
D19,325 S * 10/1889 Dungan et al. D6/351
D83,160 S * 1/1931 Hofmann D6/351
2,038,806 A 4/1936 Sellar
3,230,909 A * 1/1966 Watson 108/150
3,312,437 A * 4/1967 Barth 248/158

D207,708 S * 5/1967 Michals D6/352
3,770,319 A * 11/1973 Ono 297/461
5,112,103 A 5/1992 Downer
D523,251 S * 6/2006 Parpala D6/352
D595,968 S * 7/2009 Korban et al. D6/349
2005/0151403 A1 7/2005 Volkman et al.
2007/0138850 A1 6/2007 Oettinger

FOREIGN PATENT DOCUMENTS

DE 825144 C 12/1951

* cited by examiner

Primary Examiner — Sandra Snapp

(74) *Attorney, Agent, or Firm* — Laurence A. Greenberg;
Werner H. Stemer; Ralph E. Locher

(57) **CLAIM**

The ornamental design for a stool, as shown and described.

DESCRIPTION

FIG. 1 is a front, perspective view of a first embodiment of a stool showing my new design;

FIG. 2 is a bottom, perspective view thereof;

FIG. 3 is a side view thereof;

FIG. 4 is a top, plan view thereof;

FIG. 5 is a side view of a second embodiment of the stool with an elongated center section;

FIG. 6 is a top, plan view thereof;

FIG. 7 is a side view of a third embodiment of the stool with a further elongated center section;

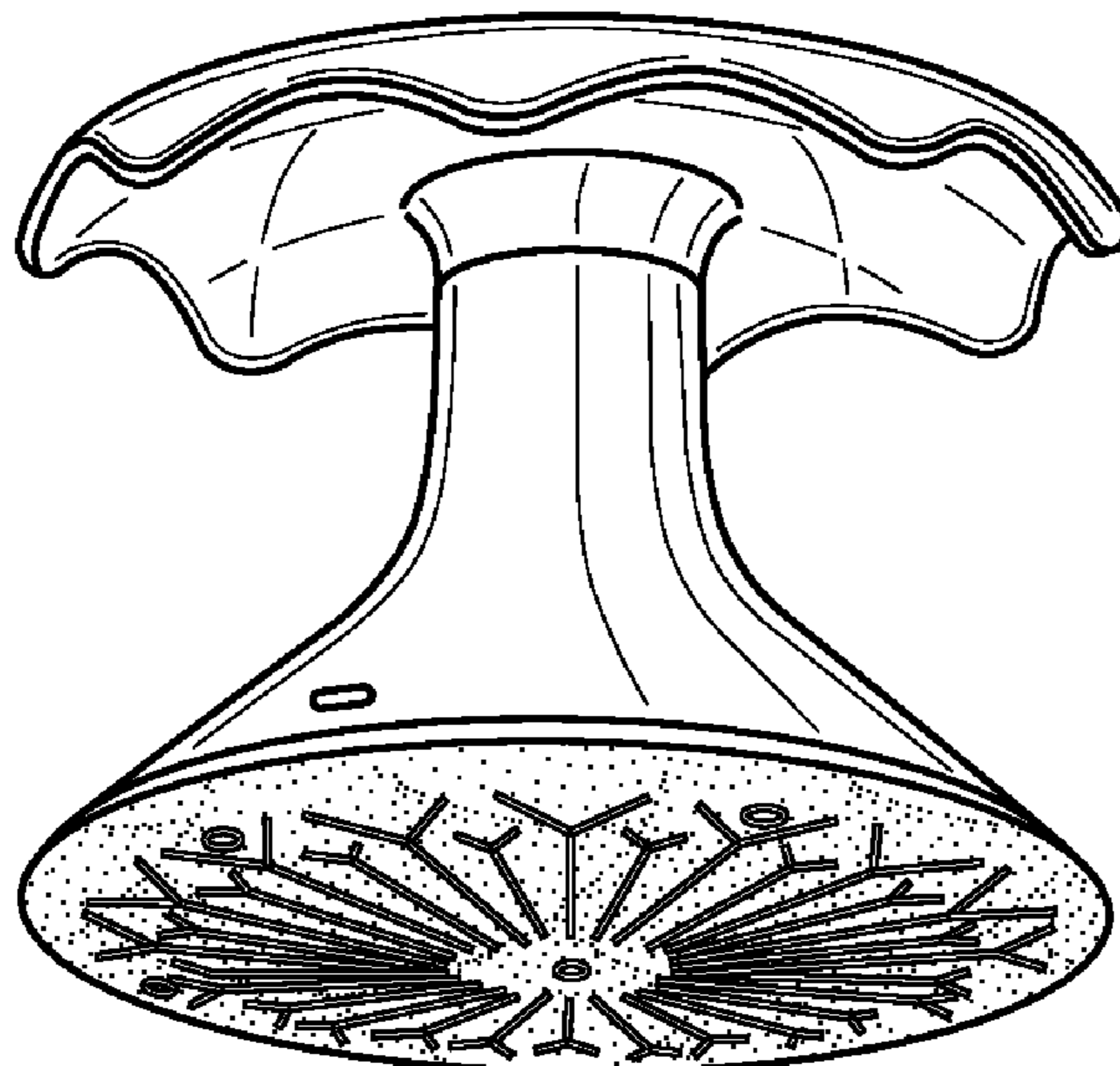
FIG. 8 is a top, plan view thereof;

FIG. 9 is a side view of the stool shown in FIG. 1 in a first stack formation of two stools;

FIG. 10 is a side view of the stool shown in FIG. 1 in a second stack formation of five of the stools; and,

FIG. 11 is a side view of the stool shown in FIG. 1 in a third stack formation of twenty-three stools.

1 Claim, 7 Drawing Sheets



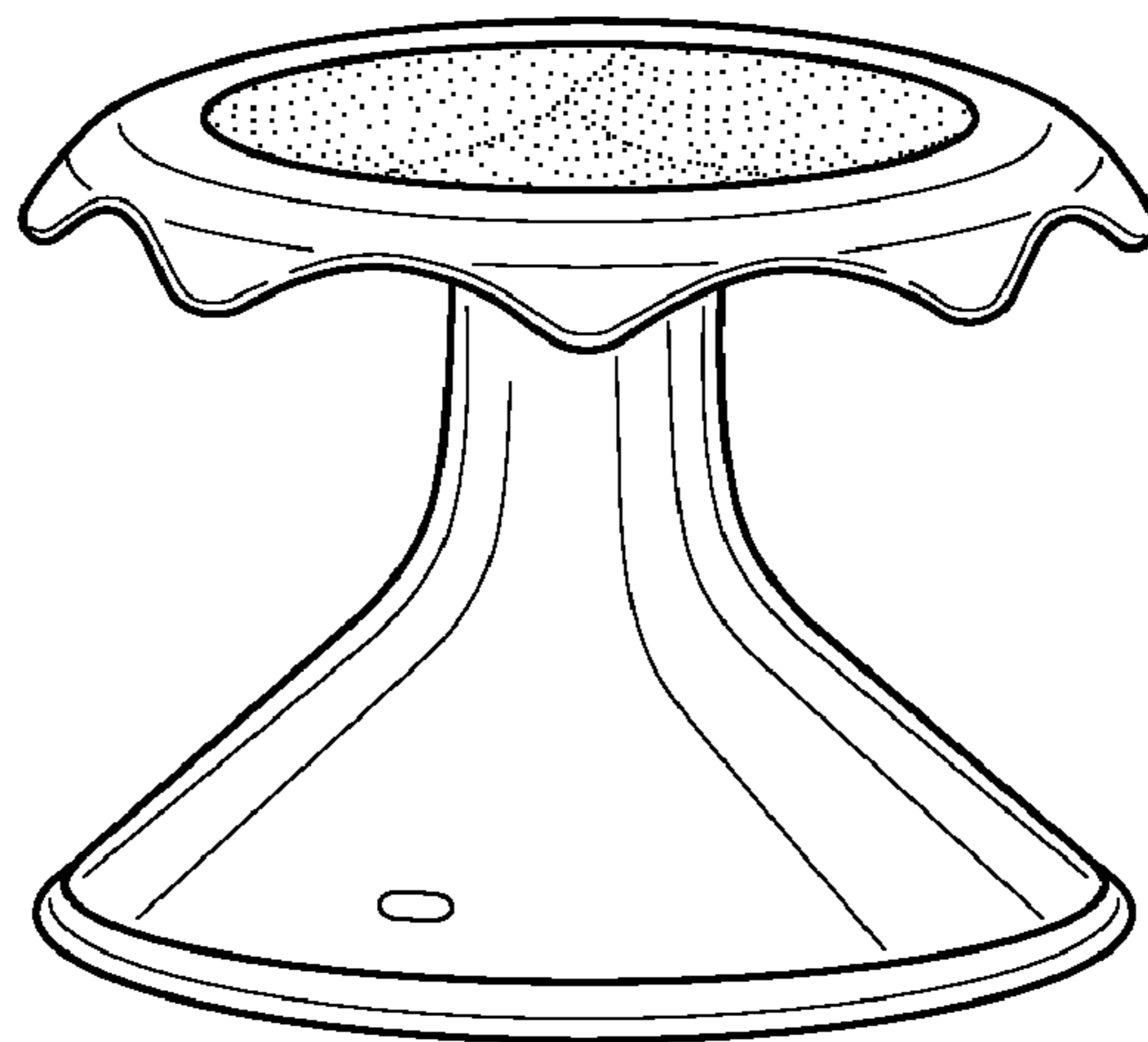


FIG. 1

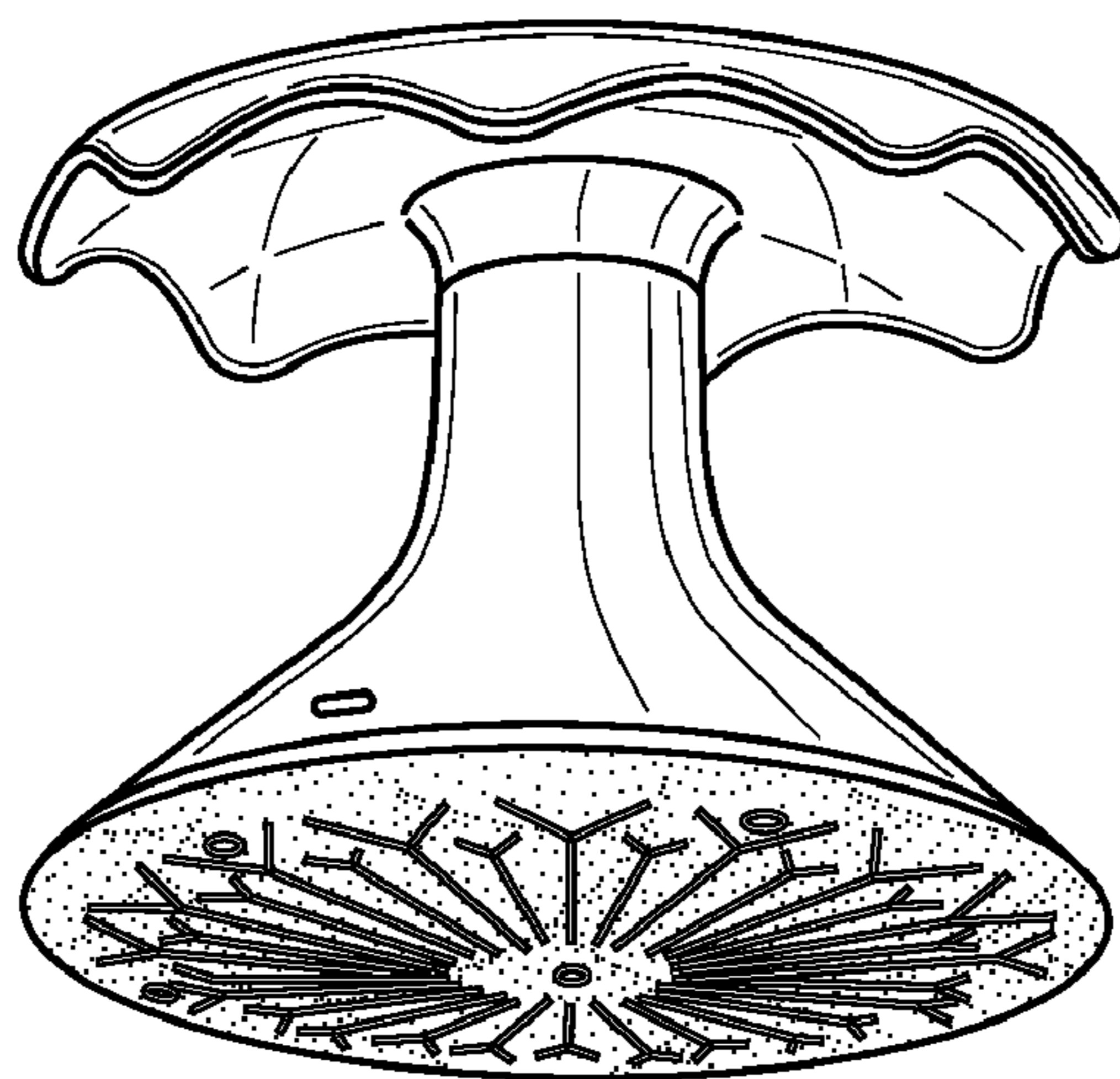


FIG. 2

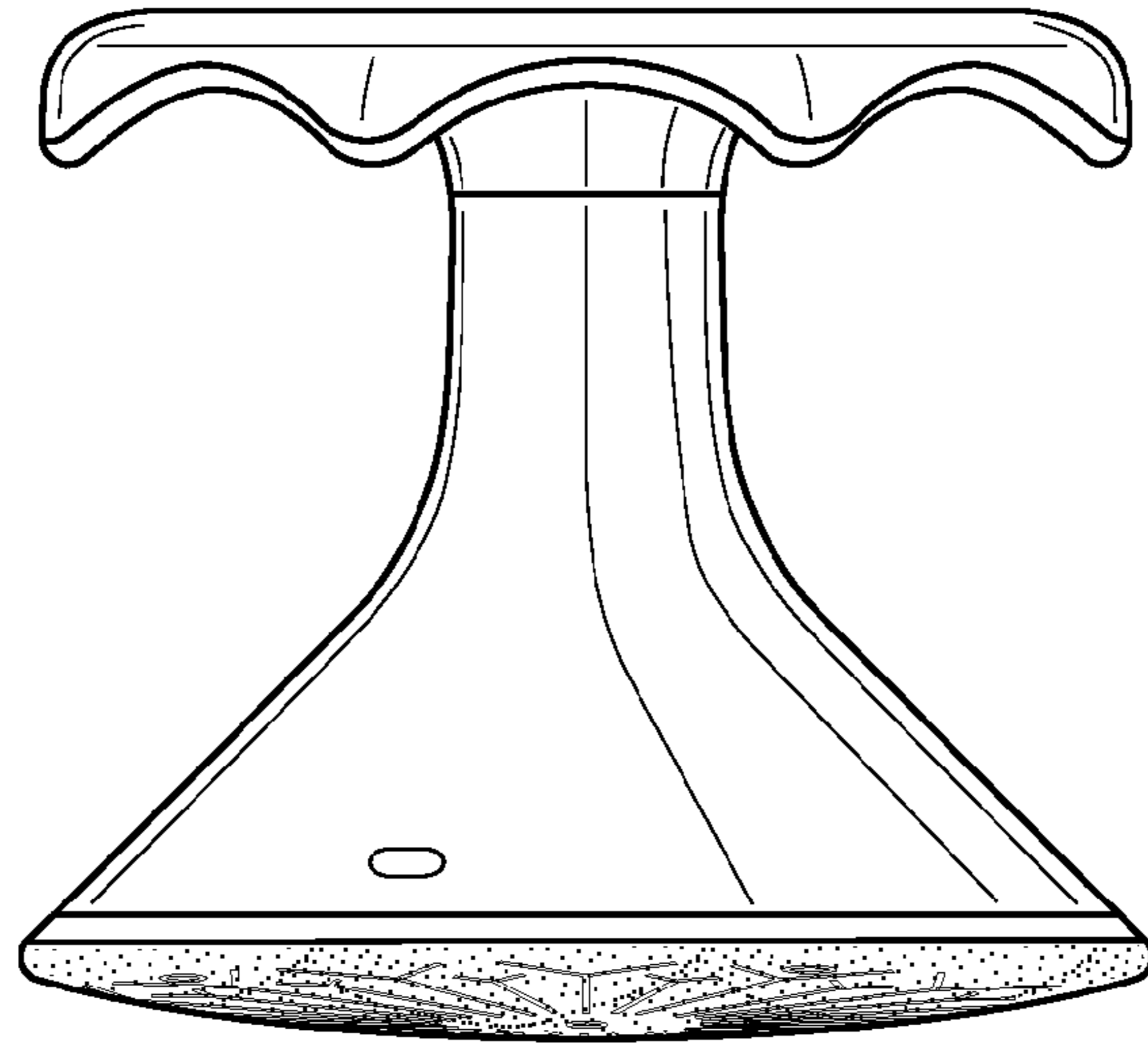


FIG. 3

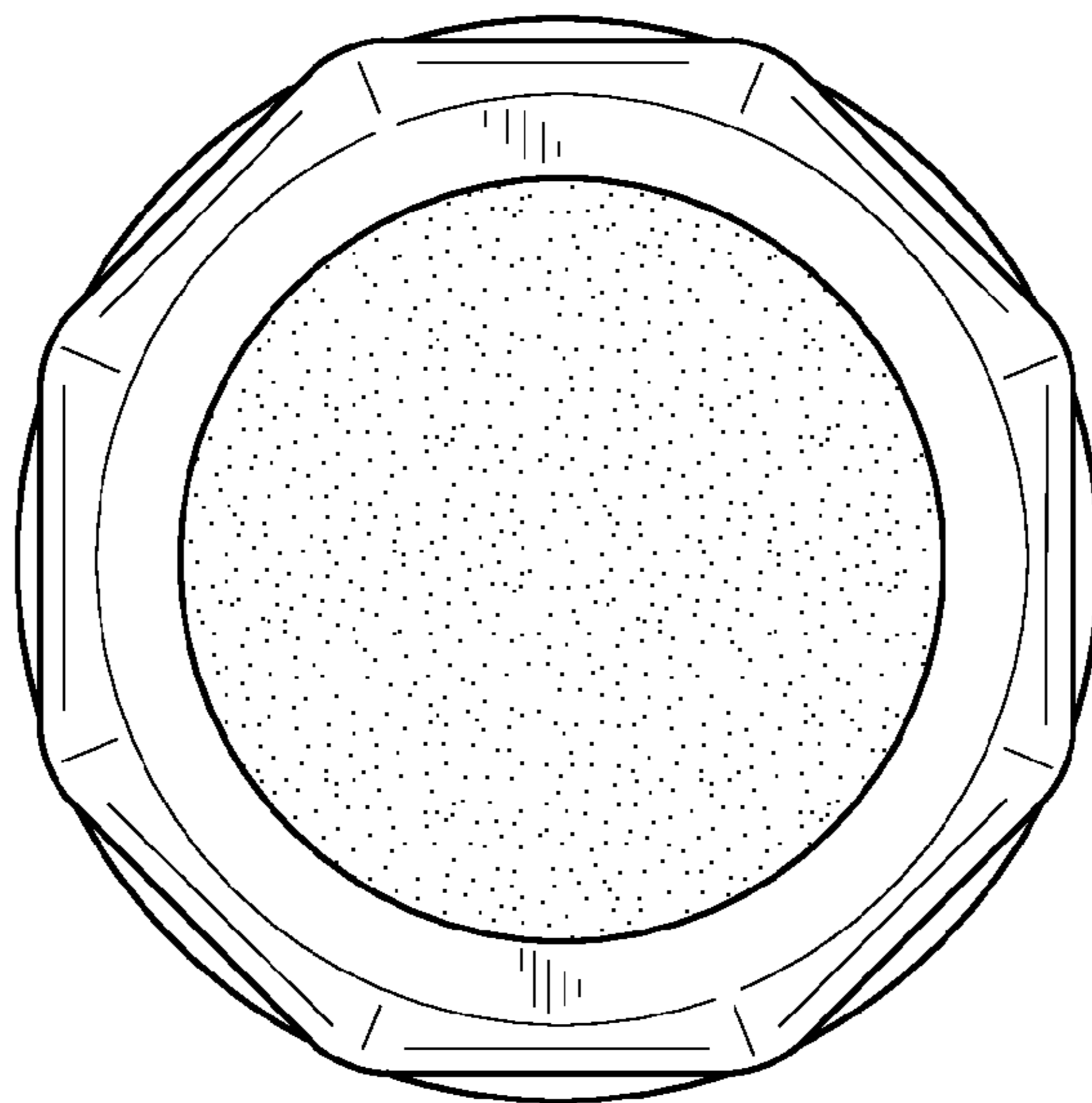


FIG. 4

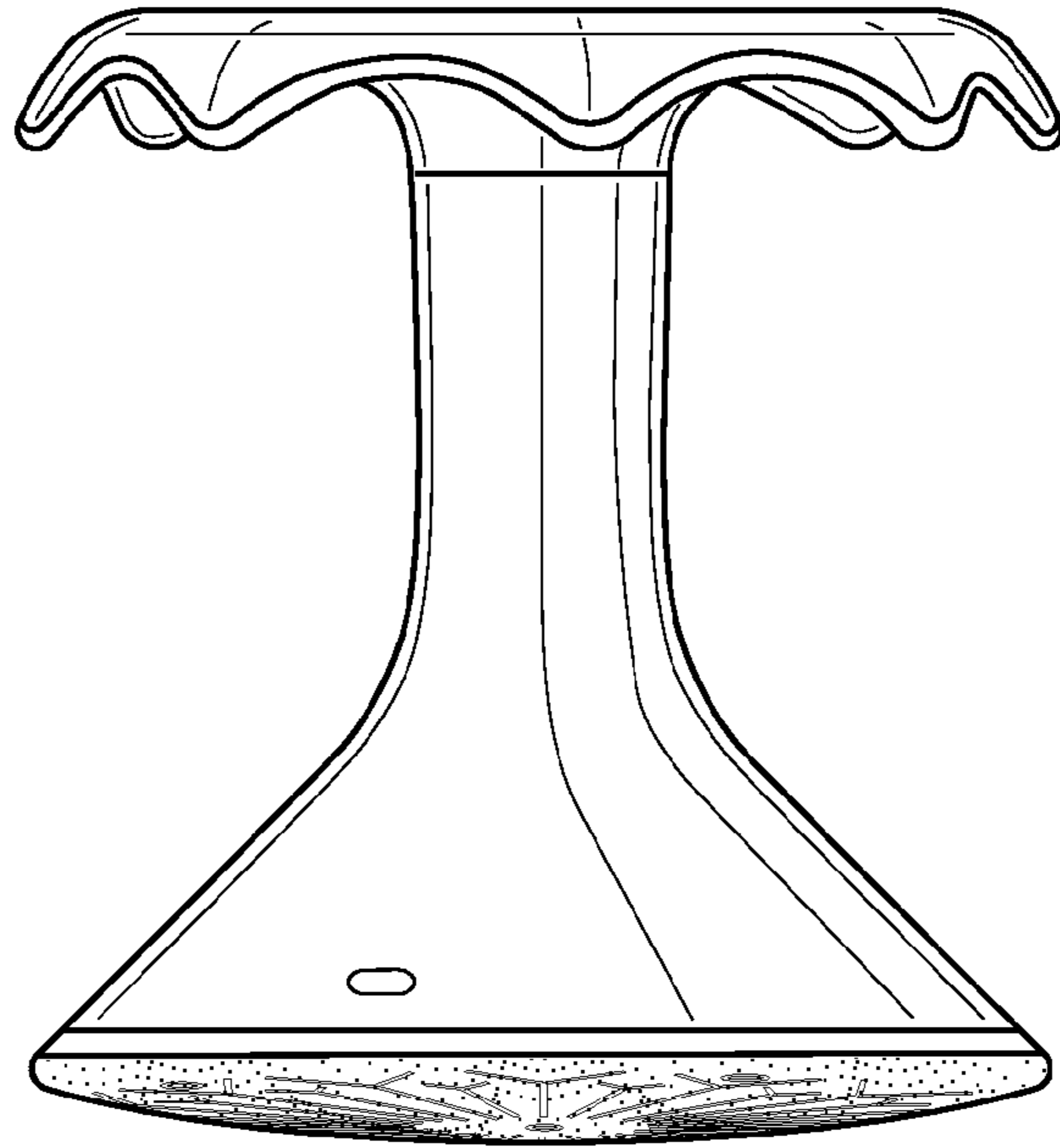


FIG. 5

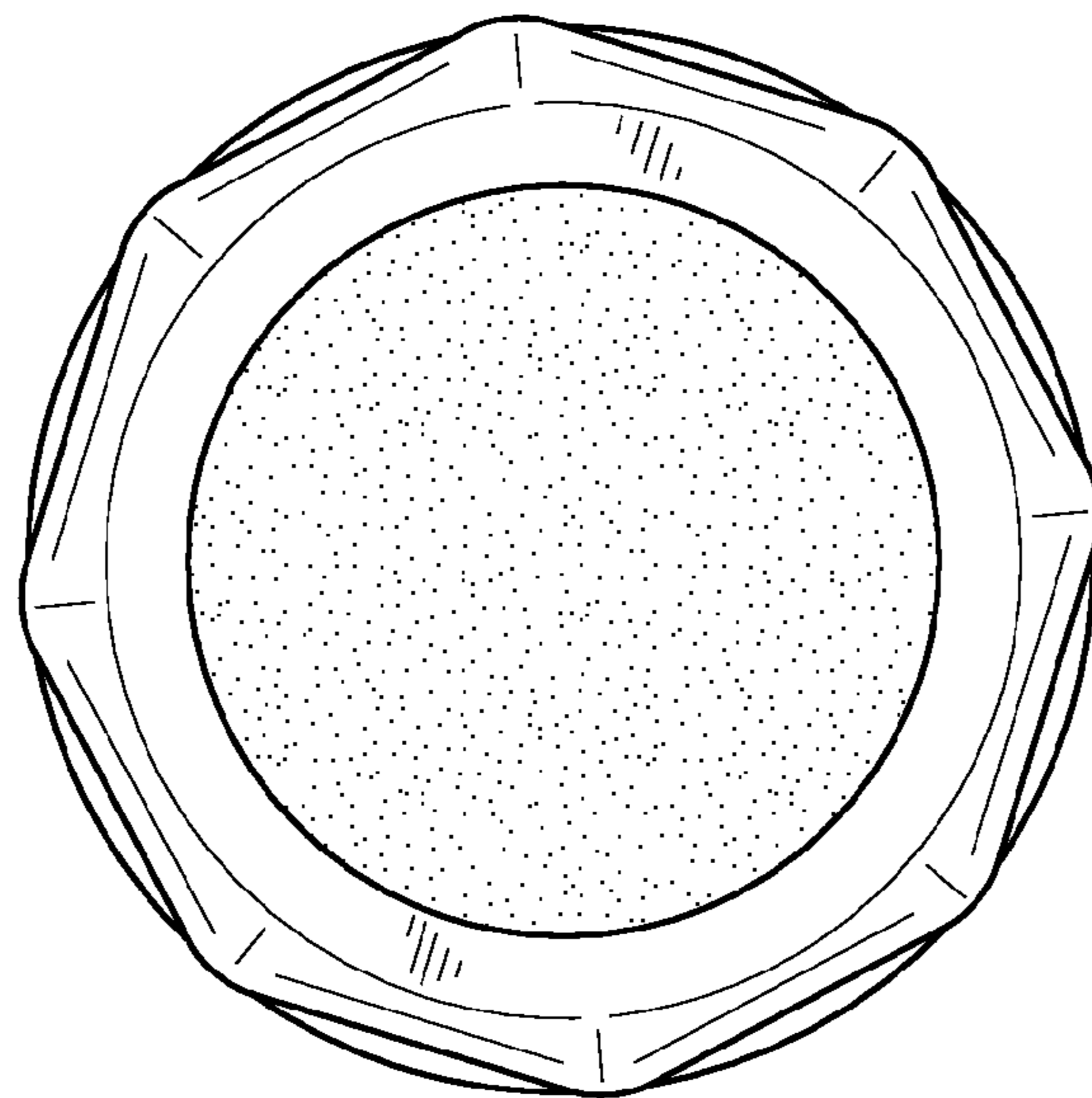


FIG. 6

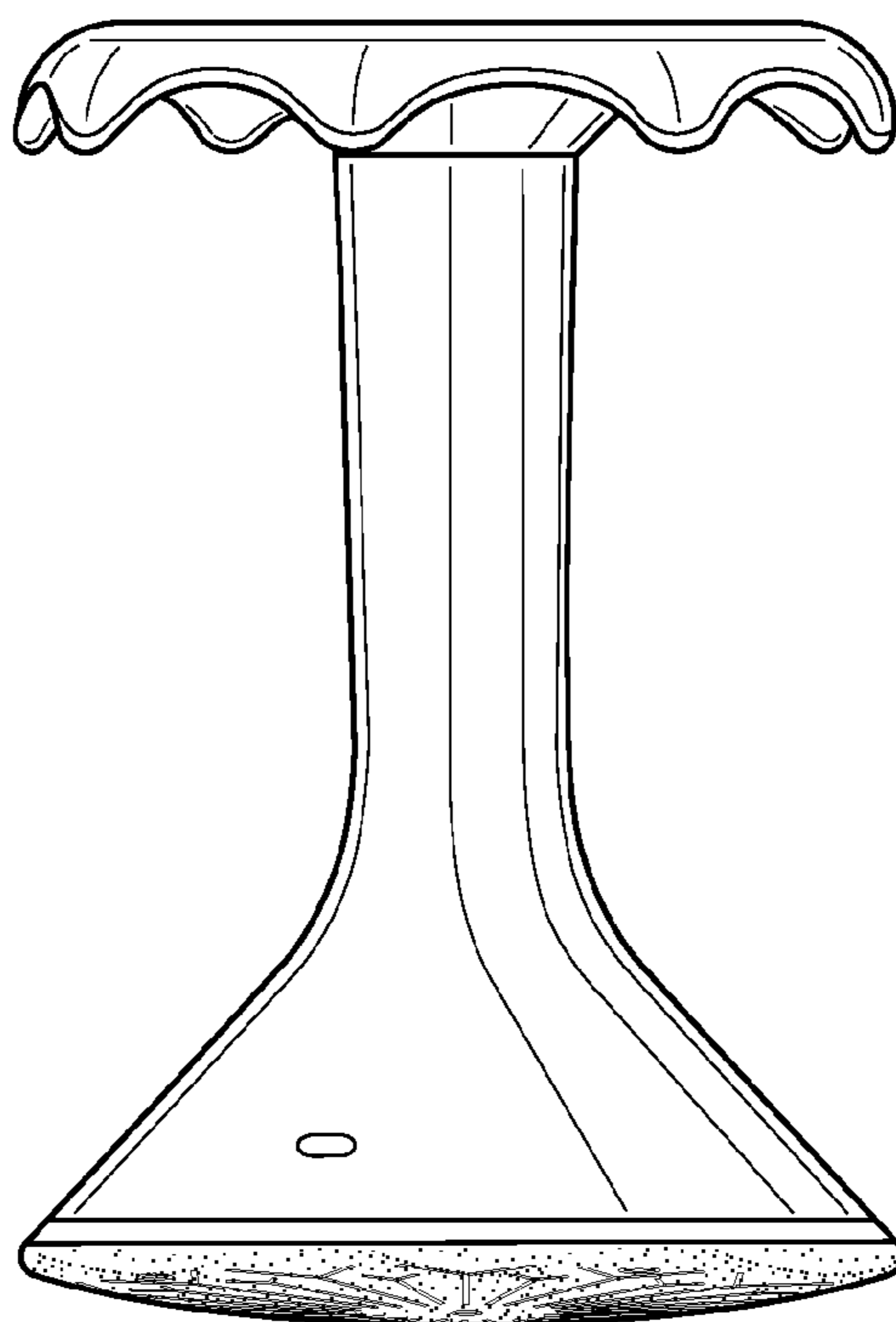


FIG. 7

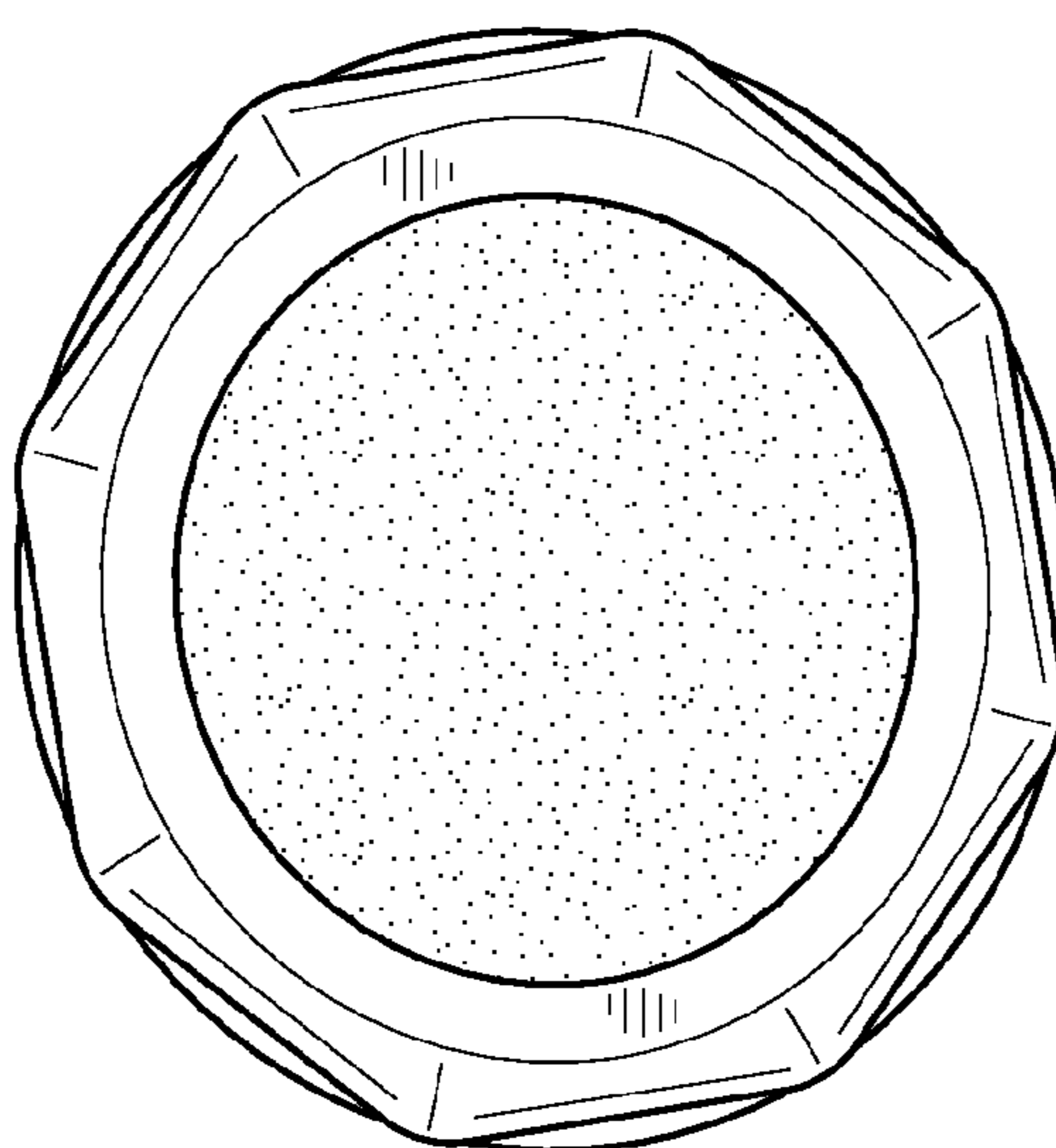


FIG. 8

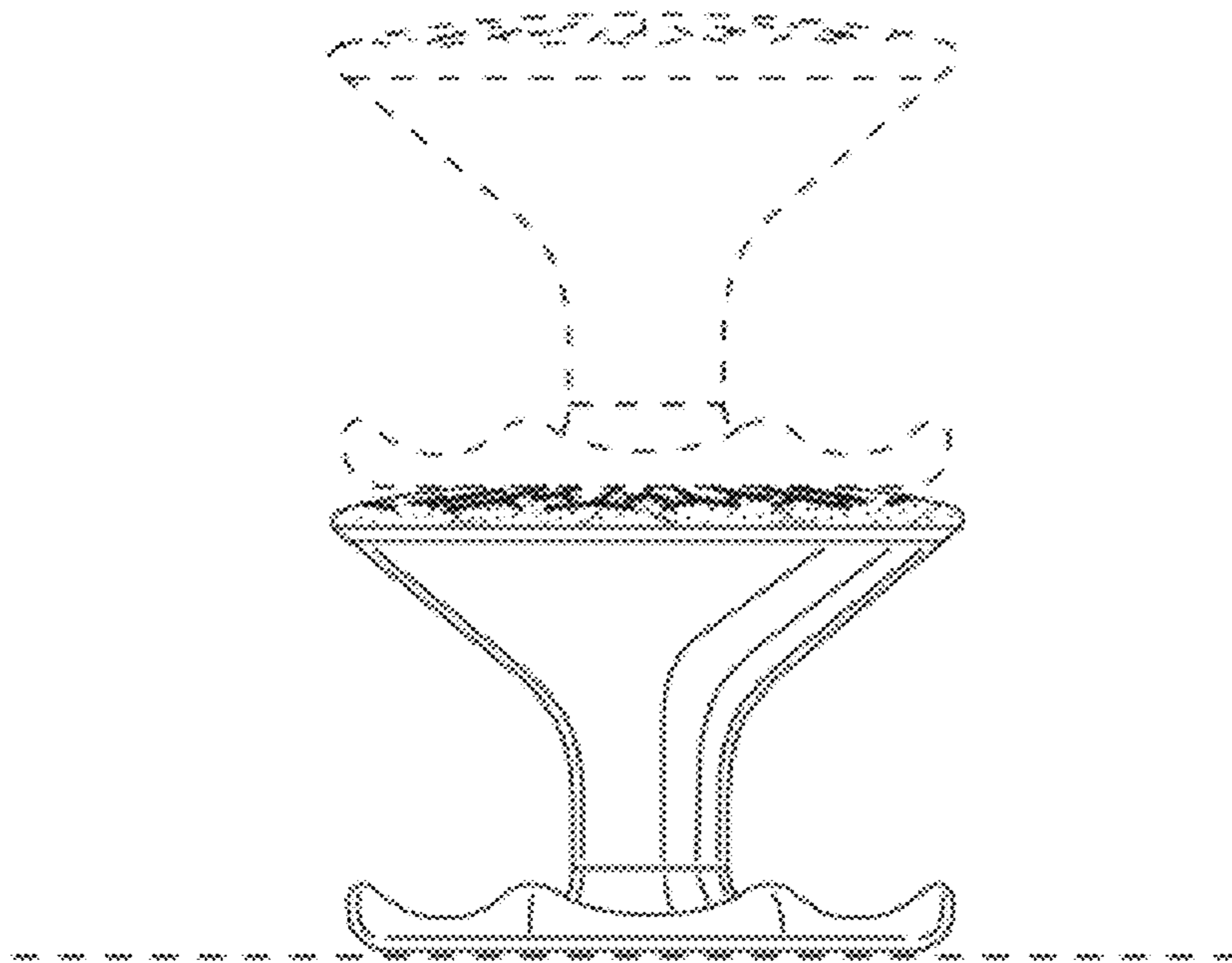


FIG. 9

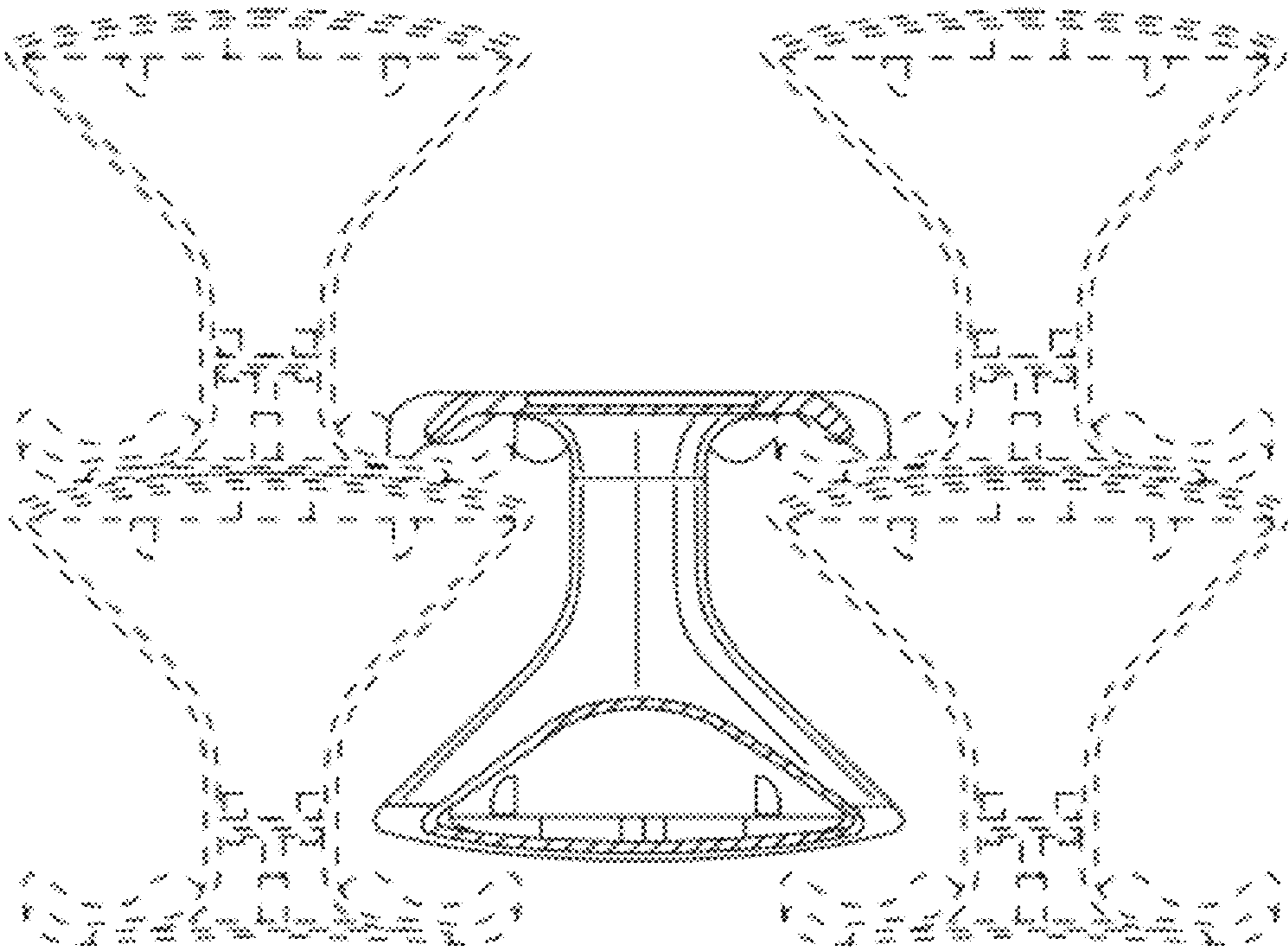


FIG. 10

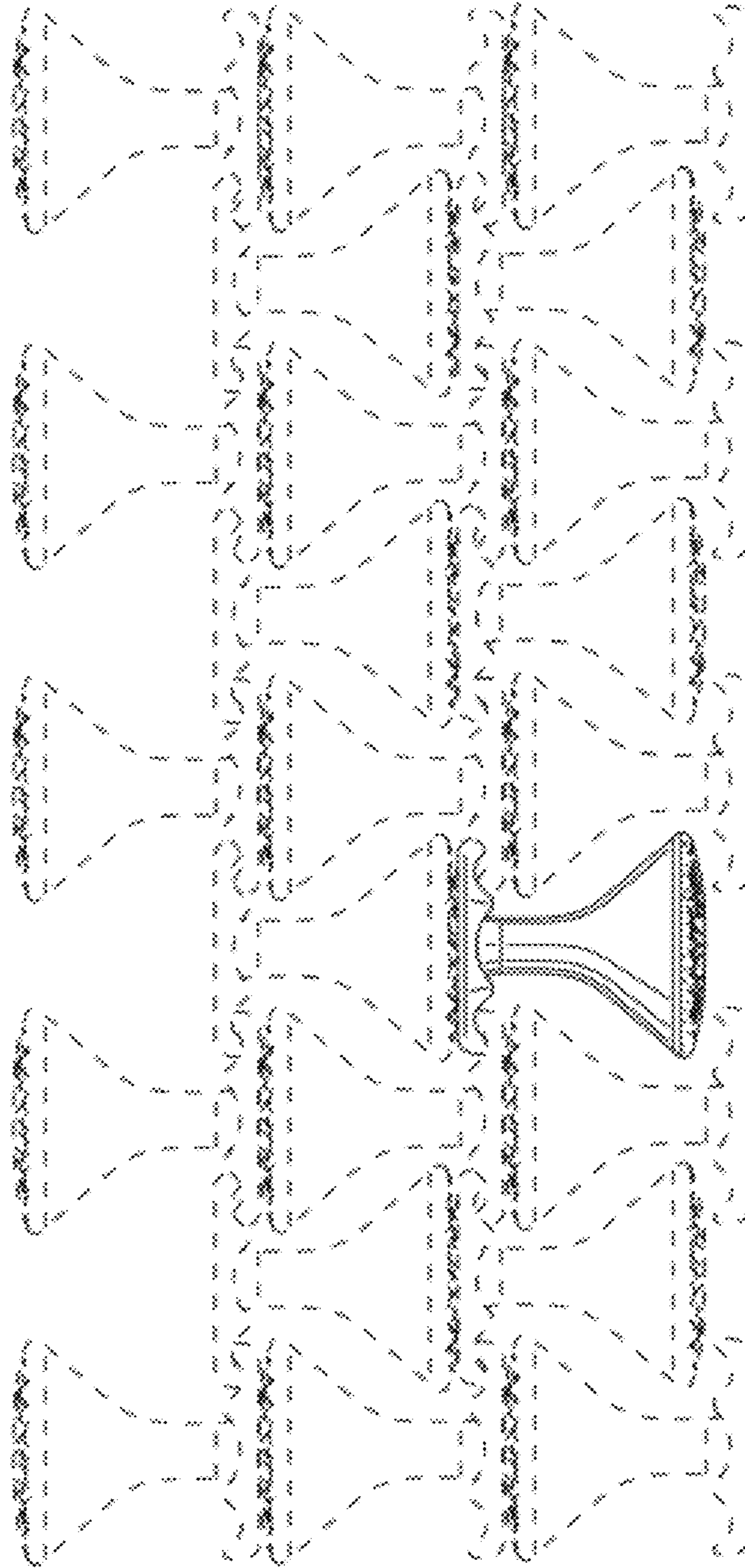


FIG. 11