

US00D664775S

(12) **United States Design Patent**
Chiu

(10) **Patent No.:** **US D664,775 S**

(45) **Date of Patent:** **** Aug. 7, 2012**

(54) **DISPLAY**

(75) **Inventor:** **Yi-Chung Chiu**, Taoyuan County (TW)

(73) **Assignee:** **Hannspree, Inc.**, New Taipei (TW)

(**) **Term:** **14 Years**

(21) **Appl. No.:** **29/394,992**

(22) **Filed:** **Jun. 23, 2011**

(51) **LOC (9) Cl.** **06-07**

(52) **U.S. Cl.** **D6/308; D14/371**

(58) **Field of Classification Search** D6/300-314;
D14/372, 448, 449, 450, 141.2, 126, 375,
D14/371, 336; 24/103; D11/133, 140, 134;
40/700, 1.5, 124.5, 714, 721, 768; D20/15,
D20/73

See application file for complete search history.

(56) **References Cited**

U.S. PATENT DOCUMENTS

D381,813	S	*	8/1997	Hill	D6/303
D414,614	S	*	10/1999	Pargman	D6/303
D416,945	S	*	11/1999	Robinson	D20/37
D655,095	S	*	3/2012	Chiu	D6/308

* cited by examiner

Primary Examiner — Philip S Hyder

Assistant Examiner — Sydney Buffalow

(74) *Attorney, Agent, or Firm* — Muncy, Geissler, Olds & Lowe, PLLC

(57) **CLAIM**

The ornamental design for a display, as shown and described.

DESCRIPTION

FIG. 1 is a front perspective view of a display showing the design;

FIG. 2 is a front view thereof;

FIG. 3 is a rear view thereof;

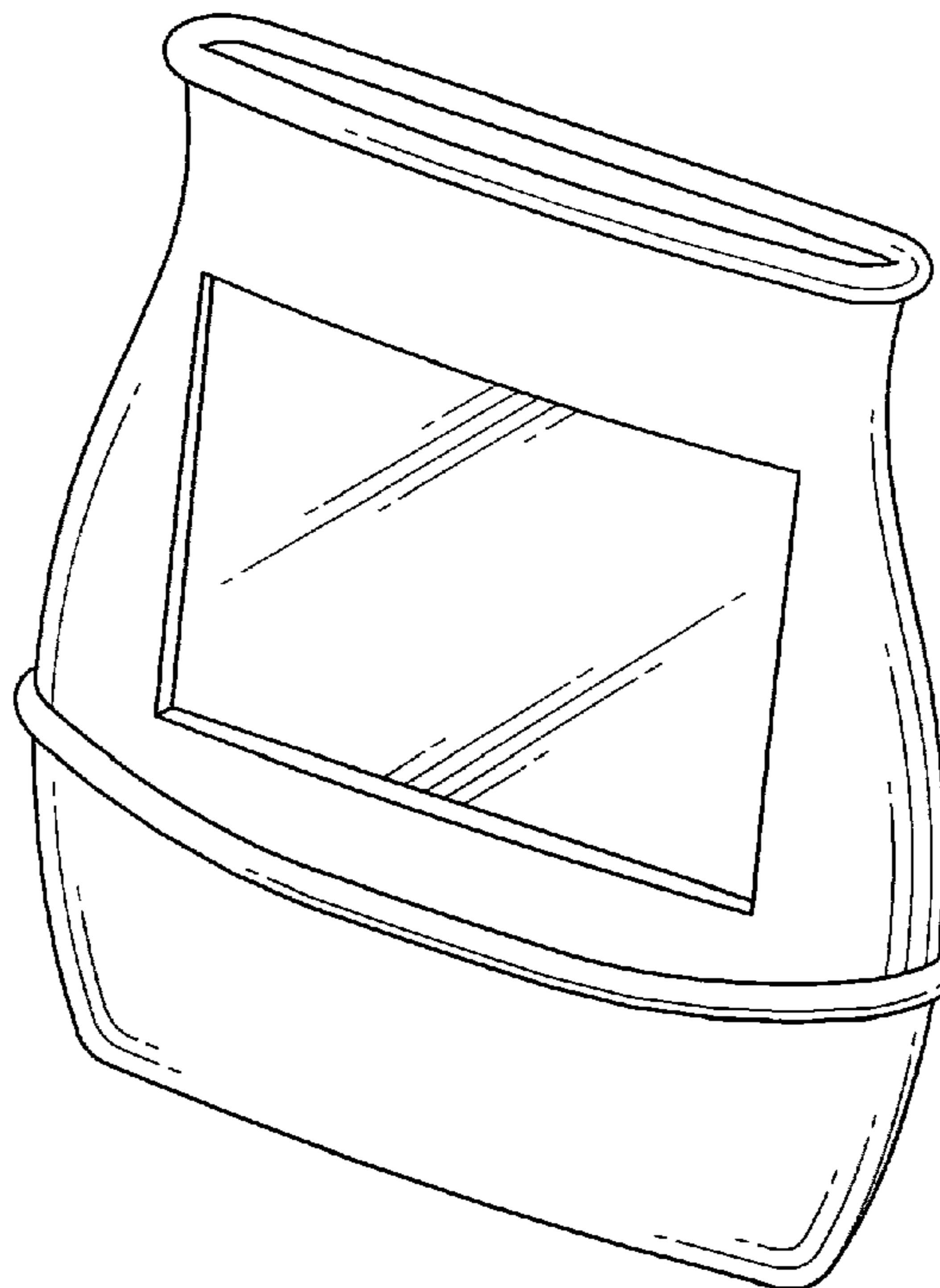
FIG. 4 is a left side view thereof;

FIG. 5 is a right side view thereof;

FIG. 6 is a top view thereof; and,

FIG. 7 is a bottom view thereof.

1 Claim, 7 Drawing Sheets



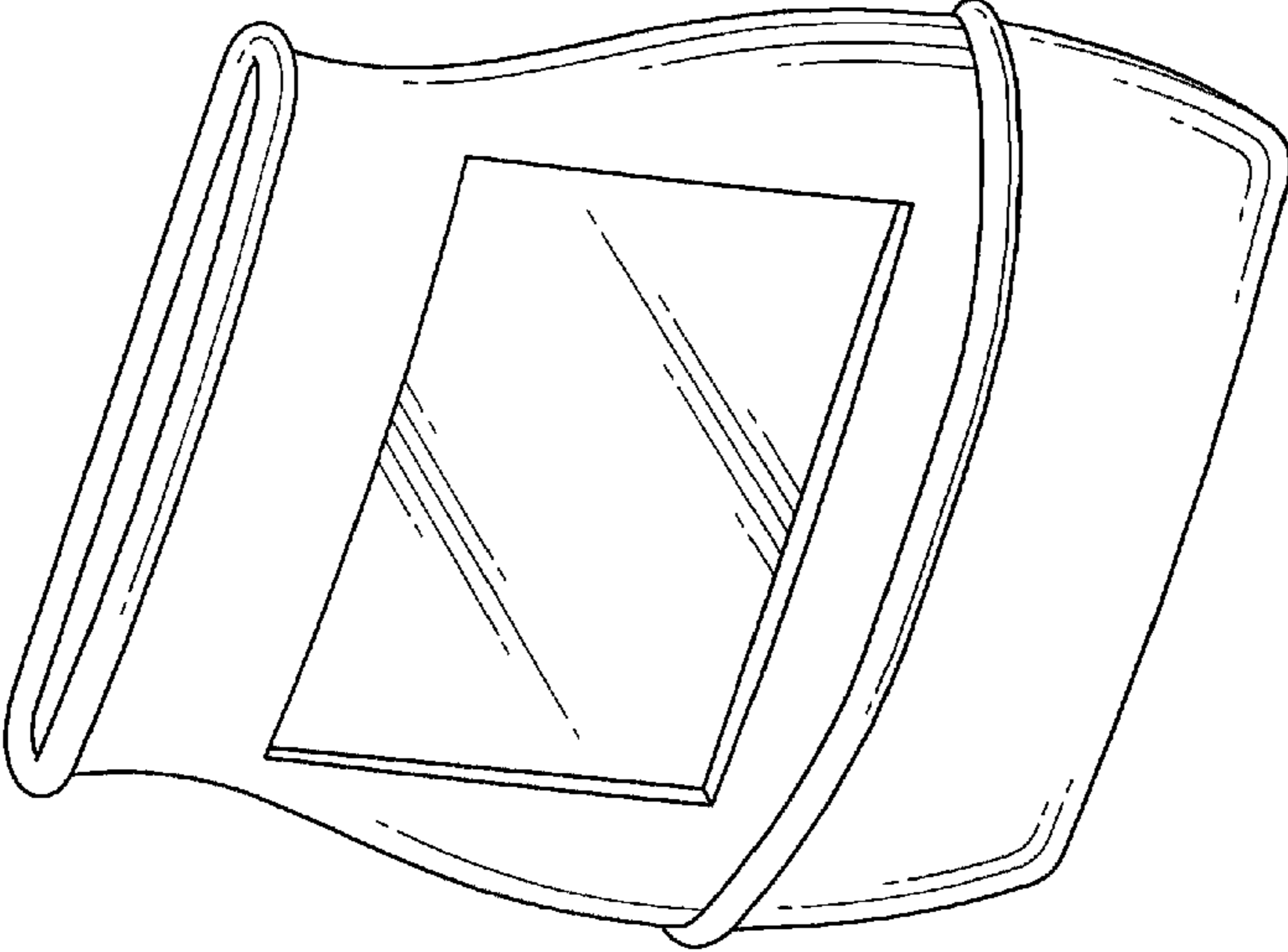


FIG. 1

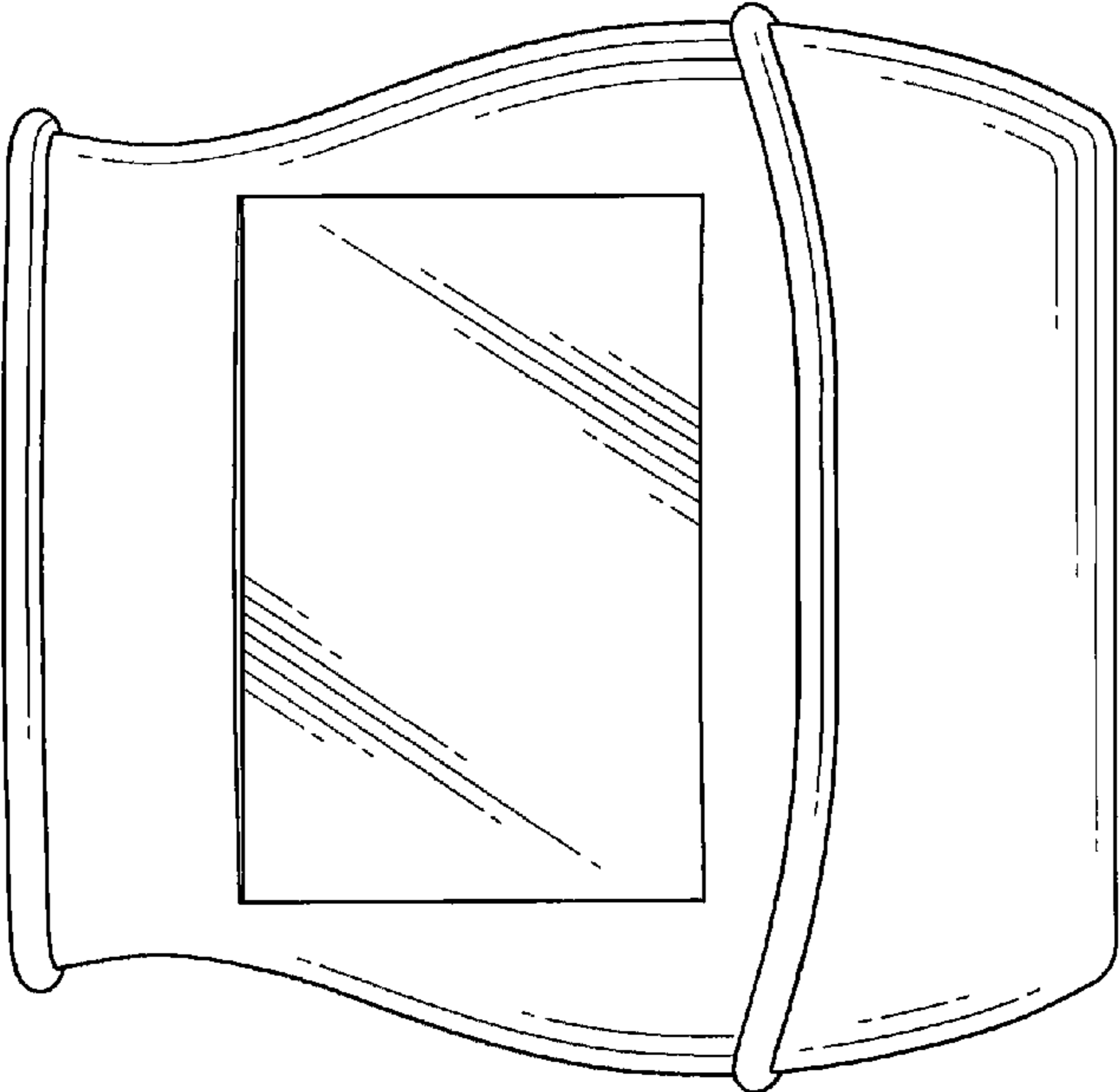


FIG. 2

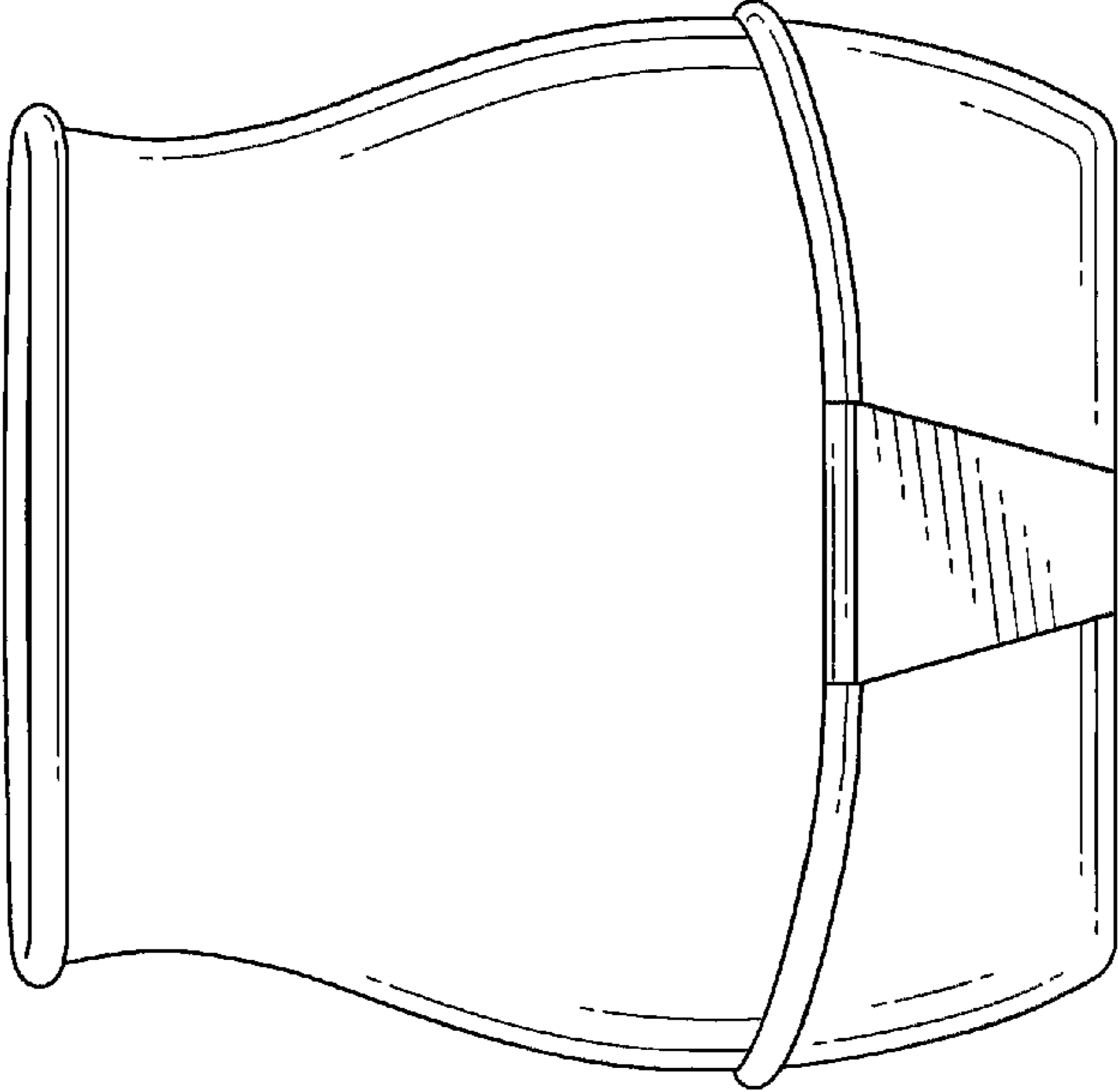


FIG. 3

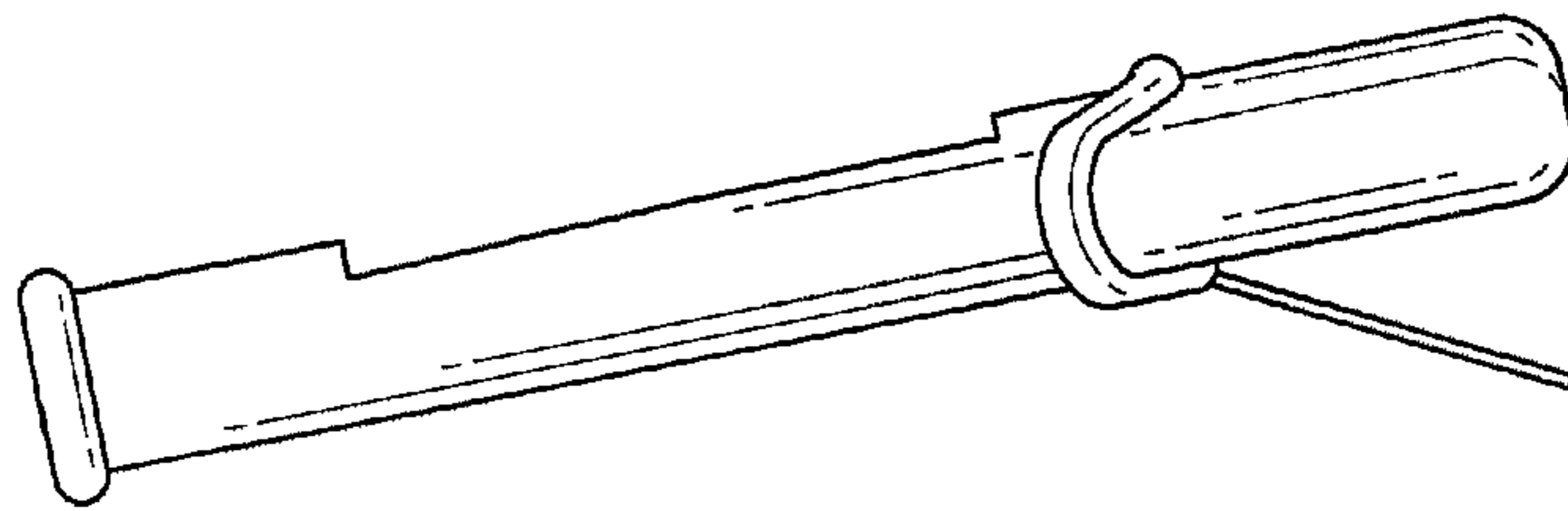


FIG. 4

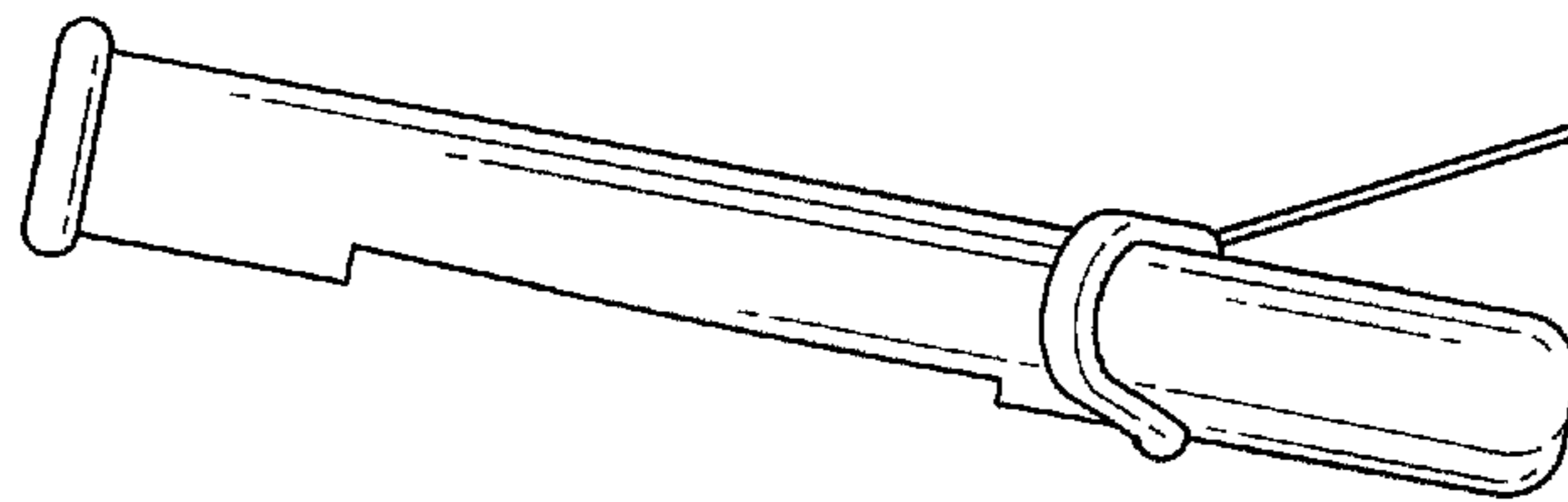


FIG. 5

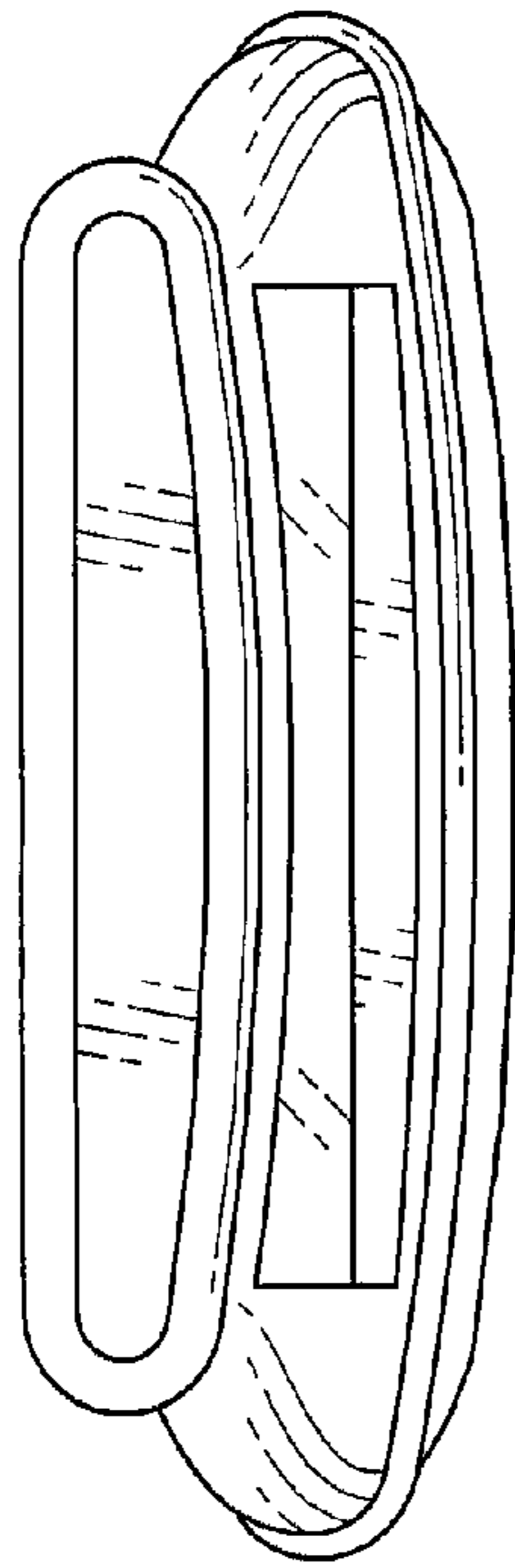


FIG. 6

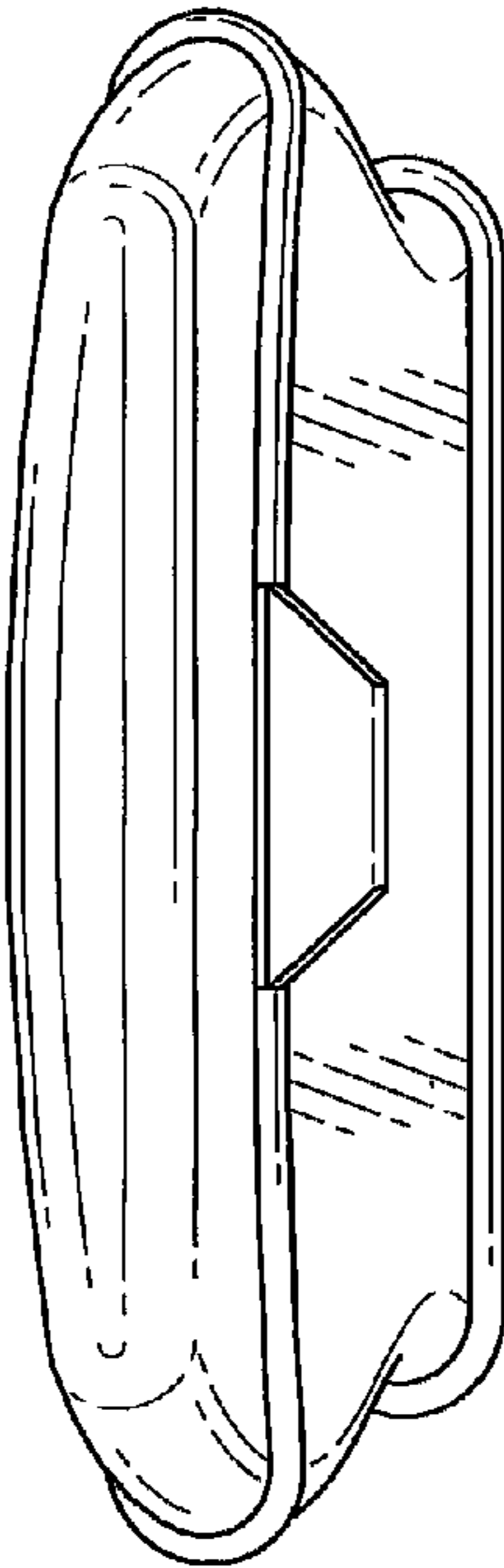


FIG. 7