

US00D664769S

(12) **United States Design Patent**  
**Kinskey et al.**

(10) **Patent No.:** **US D664,769 S**

(45) **Date of Patent:** **\*\* Aug. 7, 2012**

(54) **SCREWDRIVER CADDY**

(75) Inventors: **Terrence P. Kinskey**, Alpharetta, GA (US); **Matthew G. Williams**, Lighthouse Point, FL (US)

(73) Assignee: **LF Centennial Limited**, Tortola (VG)

(\*\*) Term: **14 Years**

(21) Appl. No.: **29/392,676**

(22) Filed: **May 25, 2011**

(51) **LOC (9) Cl.** ..... **03-01**

(52) **U.S. Cl.** ..... **D3/315**

(58) **Field of Classification Search** ..... D3/204, D3/218, 226, 230, 232, 243, 245, 246, 247, D3/249, 272, 273, 275, 276, 283–285, 289, D3/290, 299, 303, 315, 294–296, 903; 206/6.1, 206/235, 457, 349, 373, 378, 379; 312/266, 312/271, 269; 190/103, 109, 110; D6/491, D6/500; D12/422

See application file for complete search history.

(56) **References Cited**

**U.S. PATENT DOCUMENTS**

D338,780 S *	8/1993	Rance	.....	D12/422
D505,032 S *	5/2005	Bergin	.....	D6/491
D527,903 S *	9/2006	Chan	.....	D3/315
D546,593 S *	7/2007	Bergin	.....	D6/500

2004/0079662 A1 *	4/2004	Wang	.....	206/378
2005/0161356 A1 *	7/2005	Chen	.....	206/373
2005/0241974 A1 *	11/2005	Chen	.....	206/379

\* cited by examiner

*Primary Examiner* — Ian Simmons

*Assistant Examiner* — Charles Hanson

(74) *Attorney, Agent, or Firm* — Duane Morris LLP; J. Rodman Steele, Jr.; Gregory M. Lefkowitz

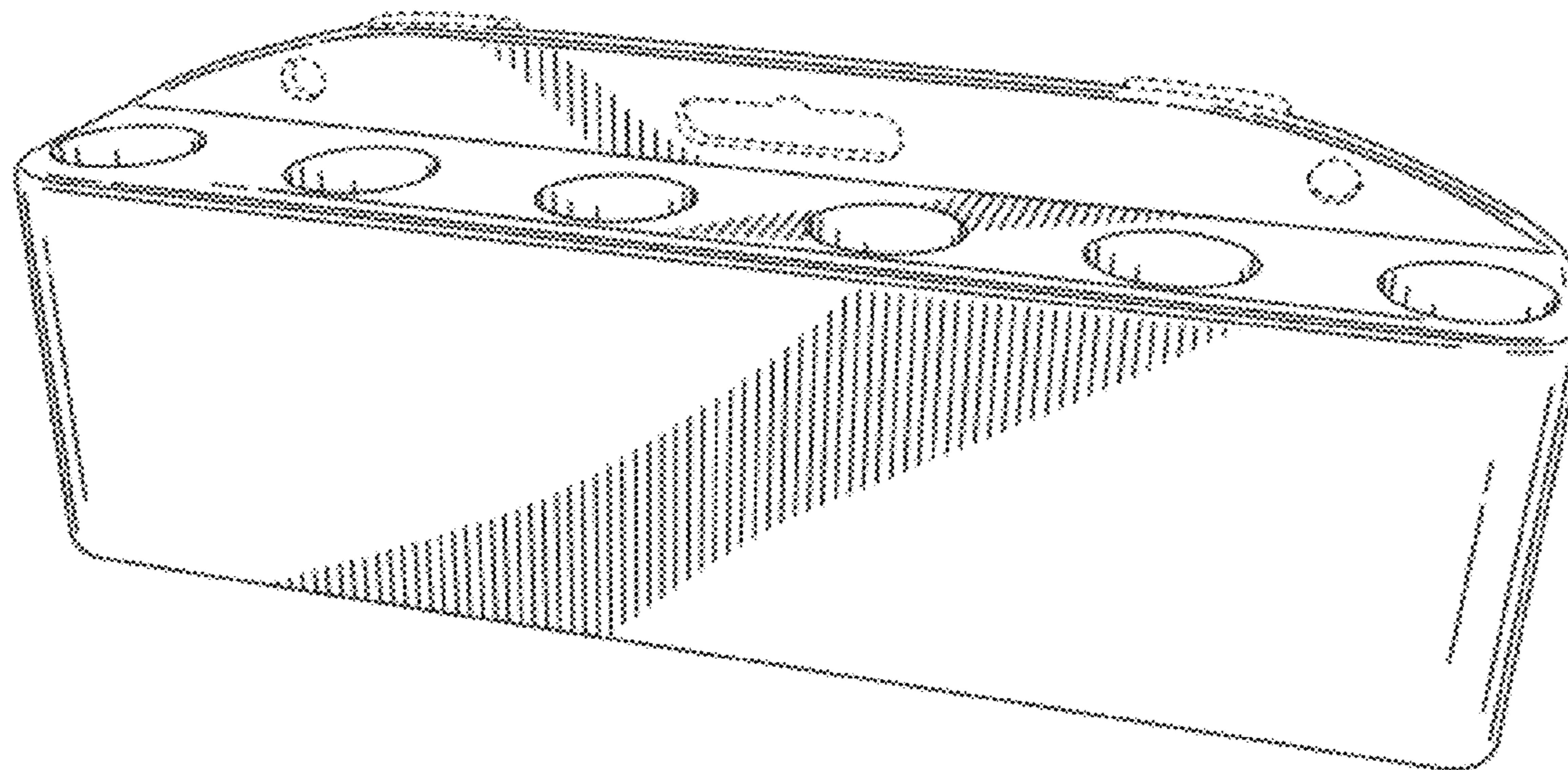
(57) **CLAIM**

The ornamental design for a screwdriver caddy, as shown and described.

**DESCRIPTION**

FIG. 1 is a perspective view of our ornamental design; FIG. 2 is a front elevation view of the ornamental design of FIG. 1; FIG. 3 is a rear elevation view of the ornamental design of FIG. 1; FIG. 4 is a top view of the ornamental design of FIG. 1; FIG. 5 is a bottom view of the ornamental design of FIG. 1; FIG. 6 is a left view of the ornamental design of FIG. 1; FIG. 7 is a right view of the ornamental design of FIG. 1; FIG. 8 is a cross-sectional view of the ornamental design of FIG. 1 taken along cut line 8-8 of FIG. 4; and, FIG. 9 is a front environmental view of the ornamental design. The broken lines are included for purposes of illustrating environment and form no part of the claimed design.

**1 Claim, 8 Drawing Sheets**



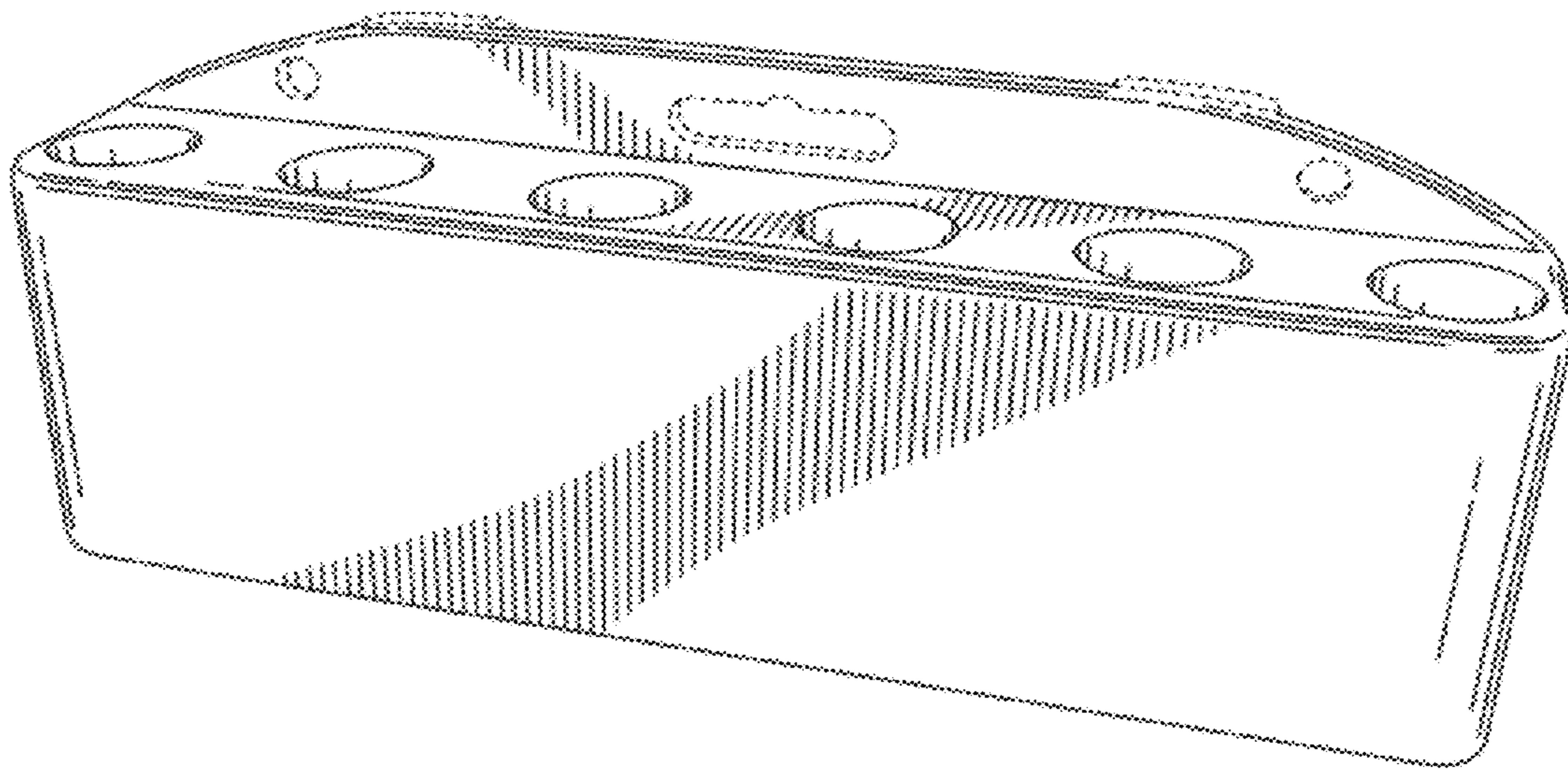


FIG. 1

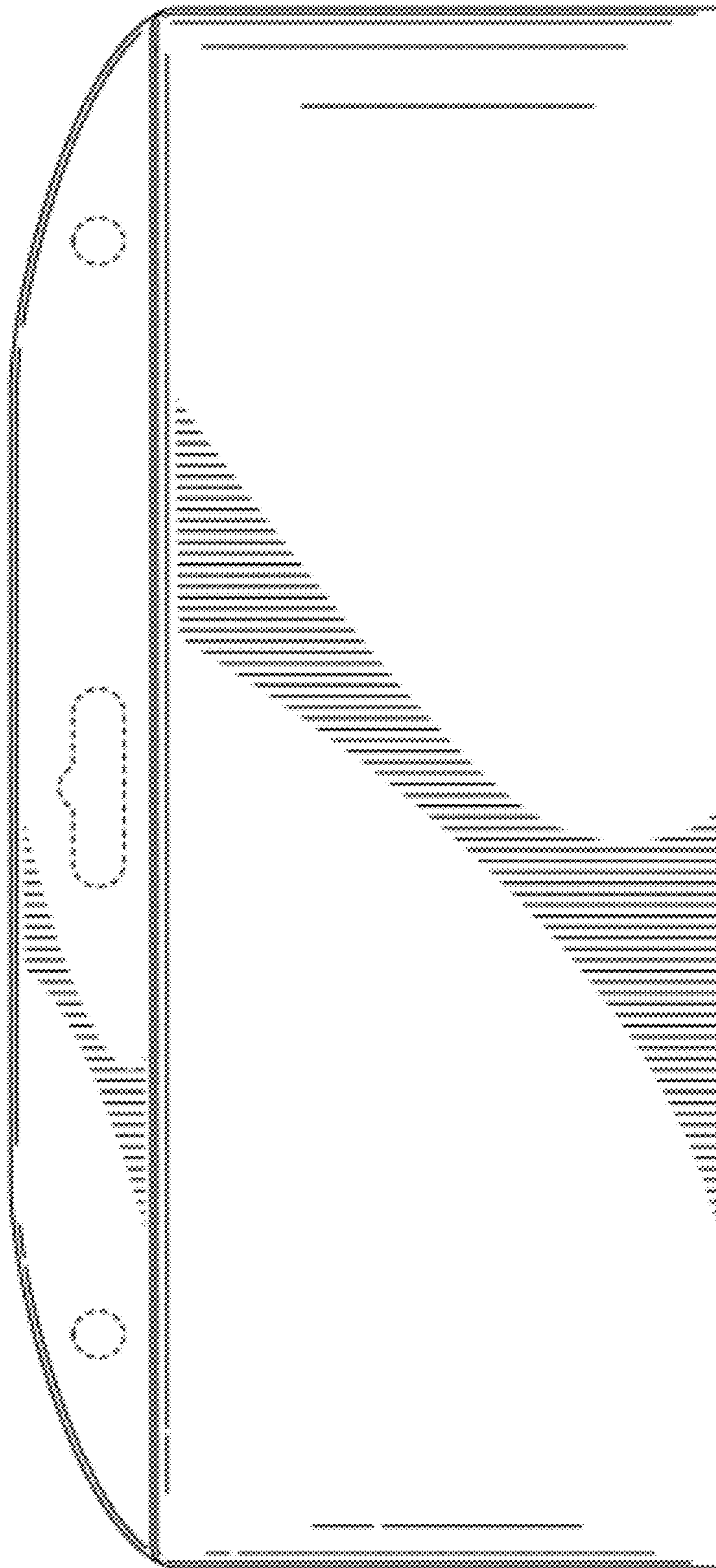


FIG. 2

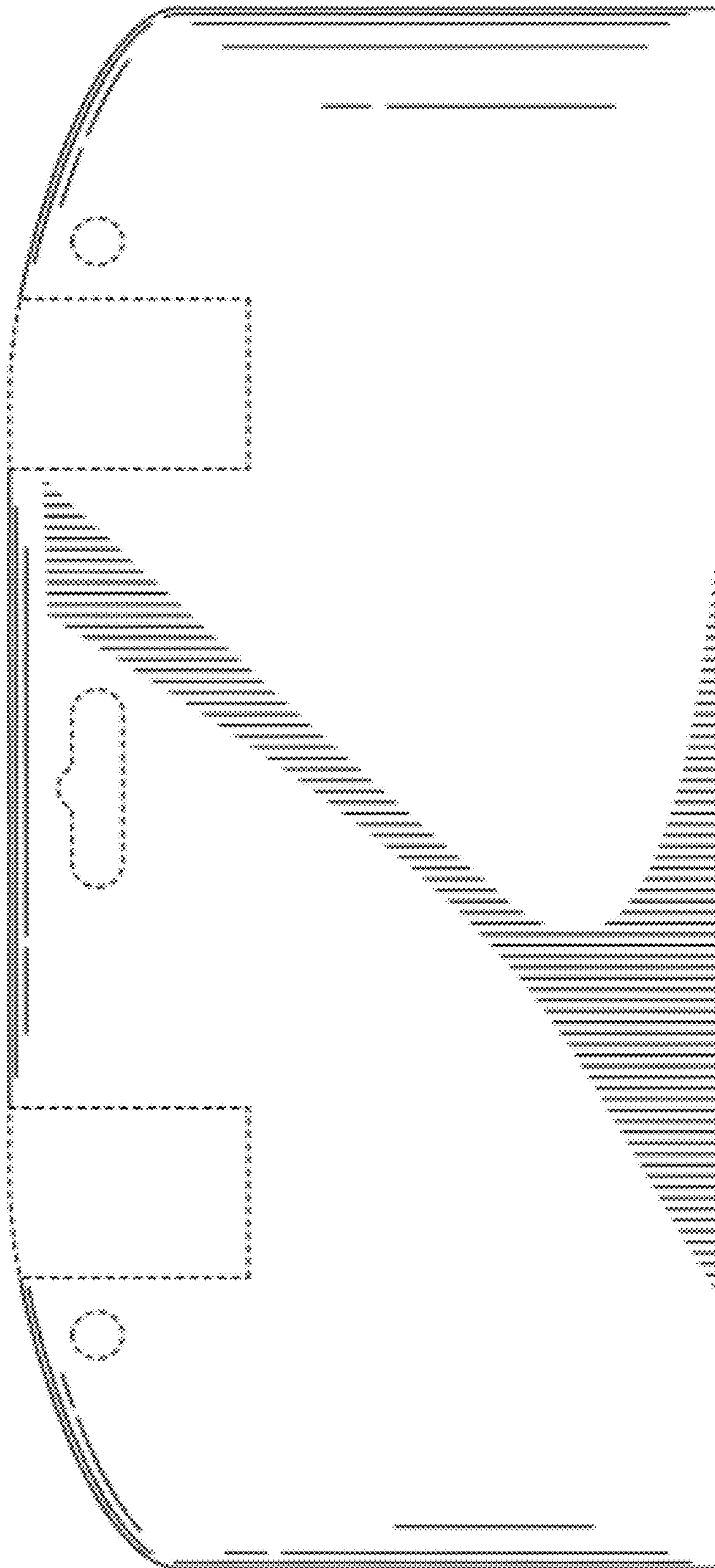


FIG. 3

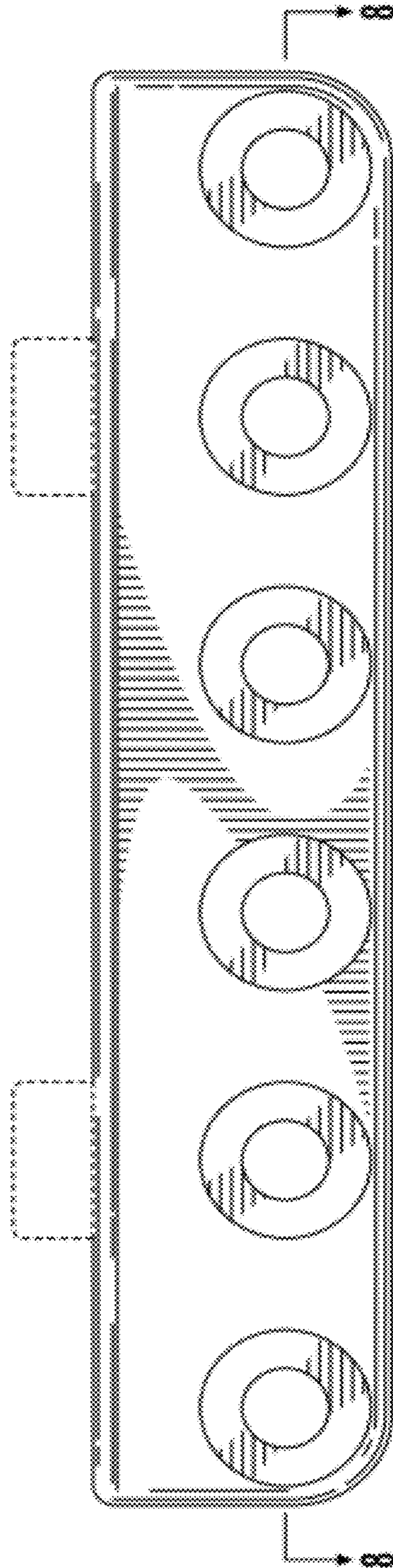


FIG. 4

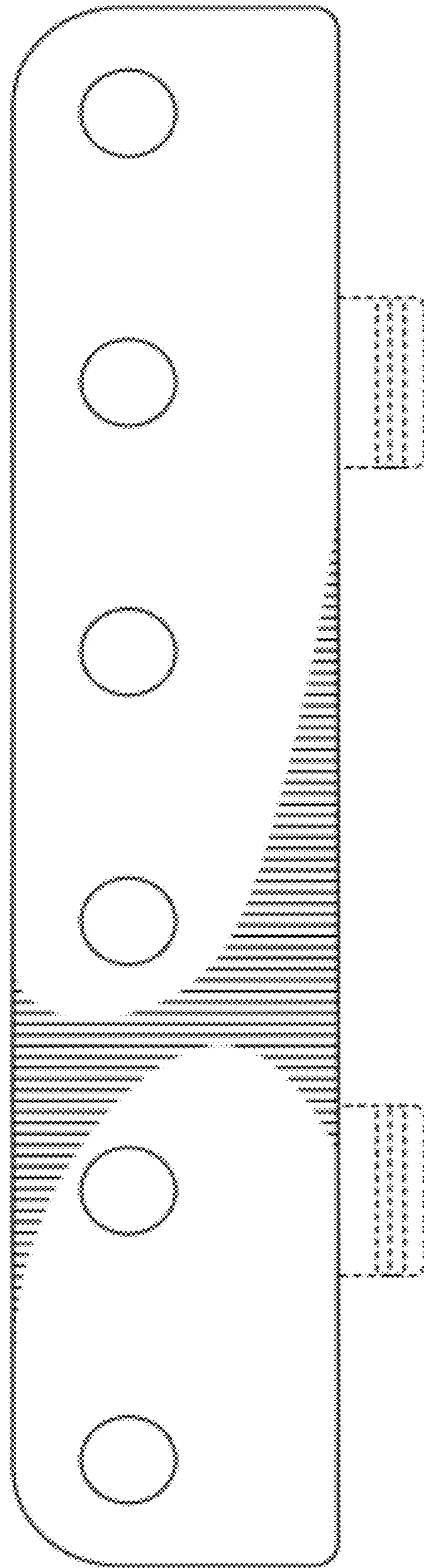


FIG. 5

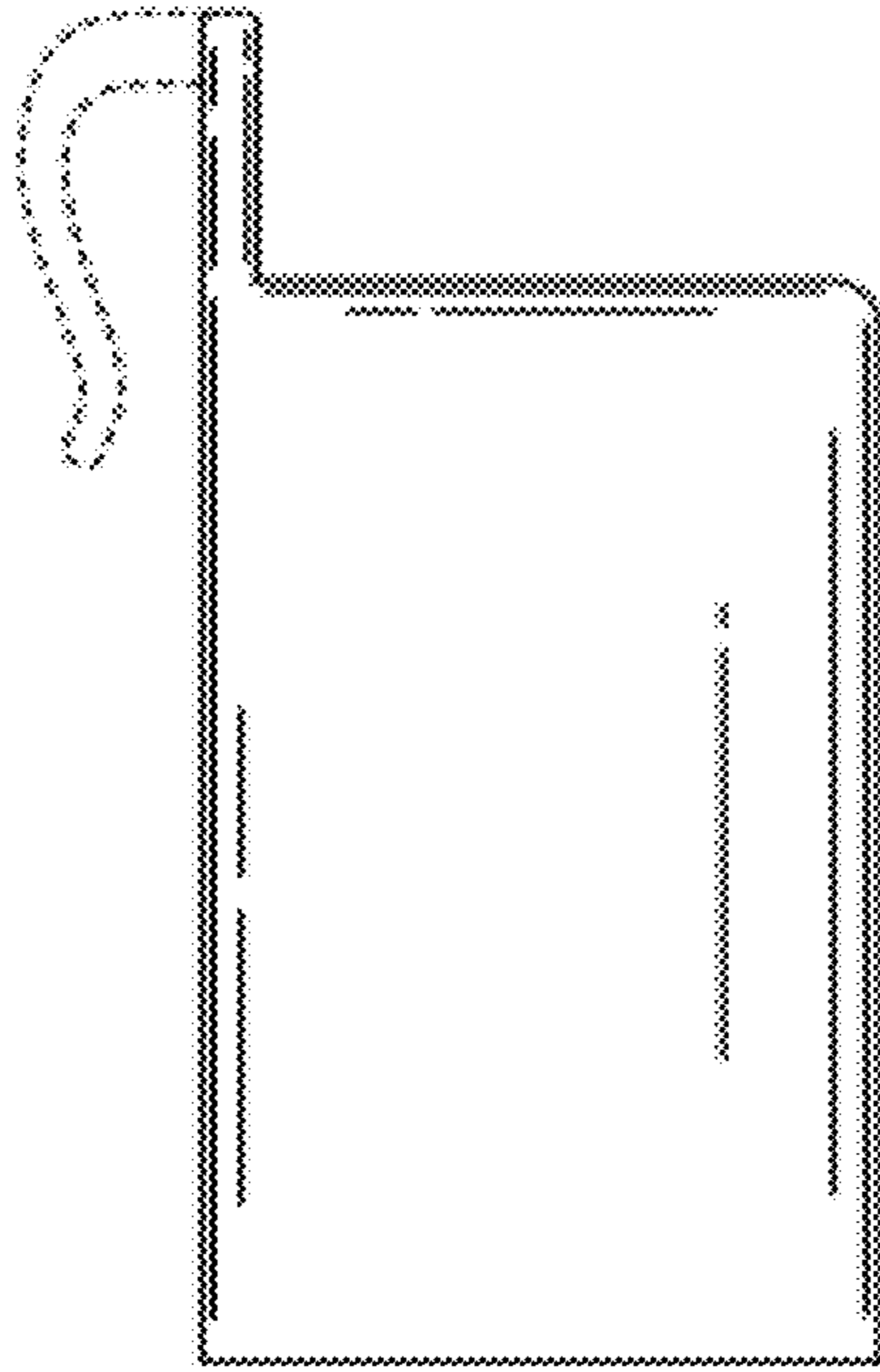


FIG. 6

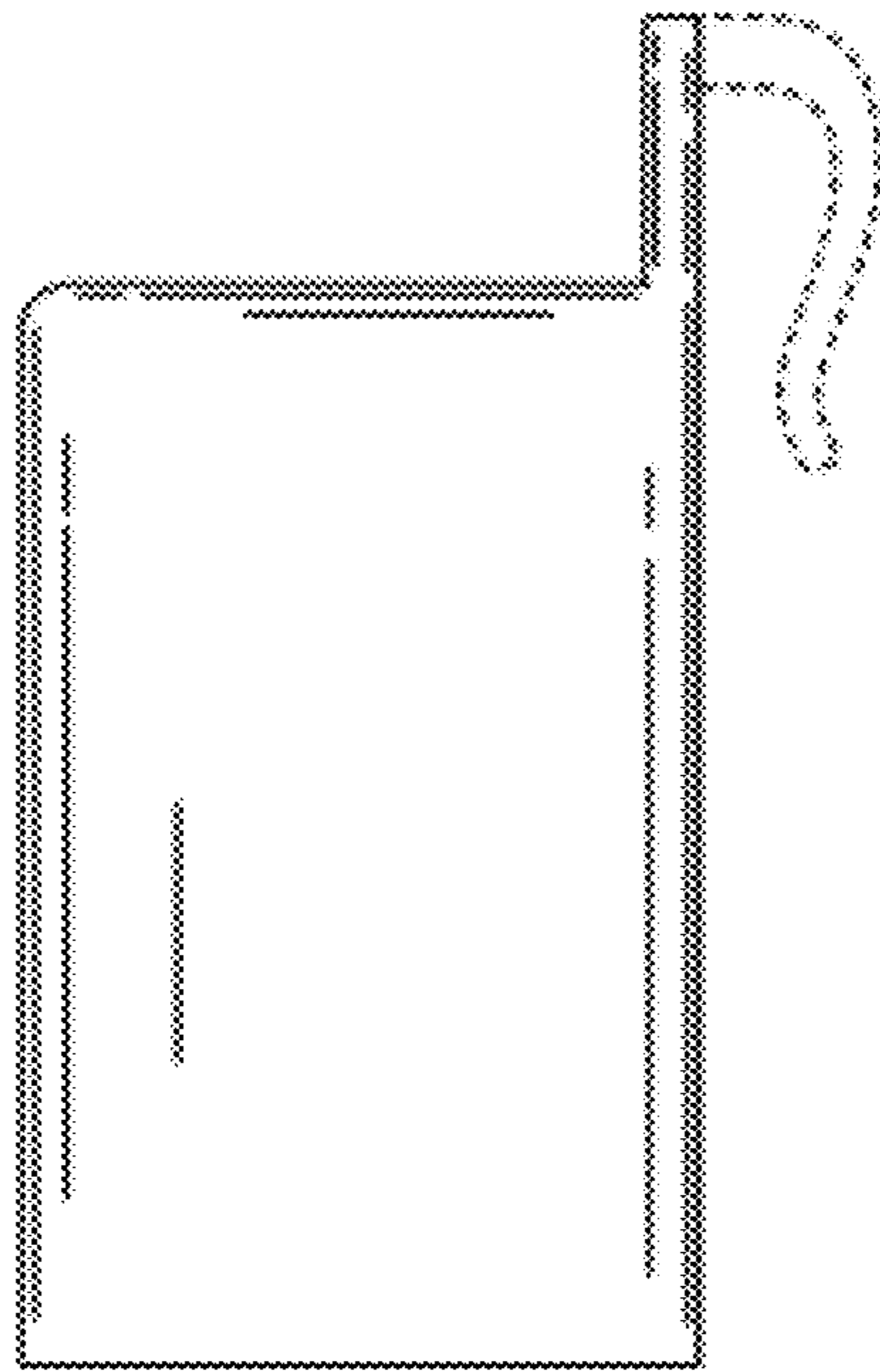


FIG. 7

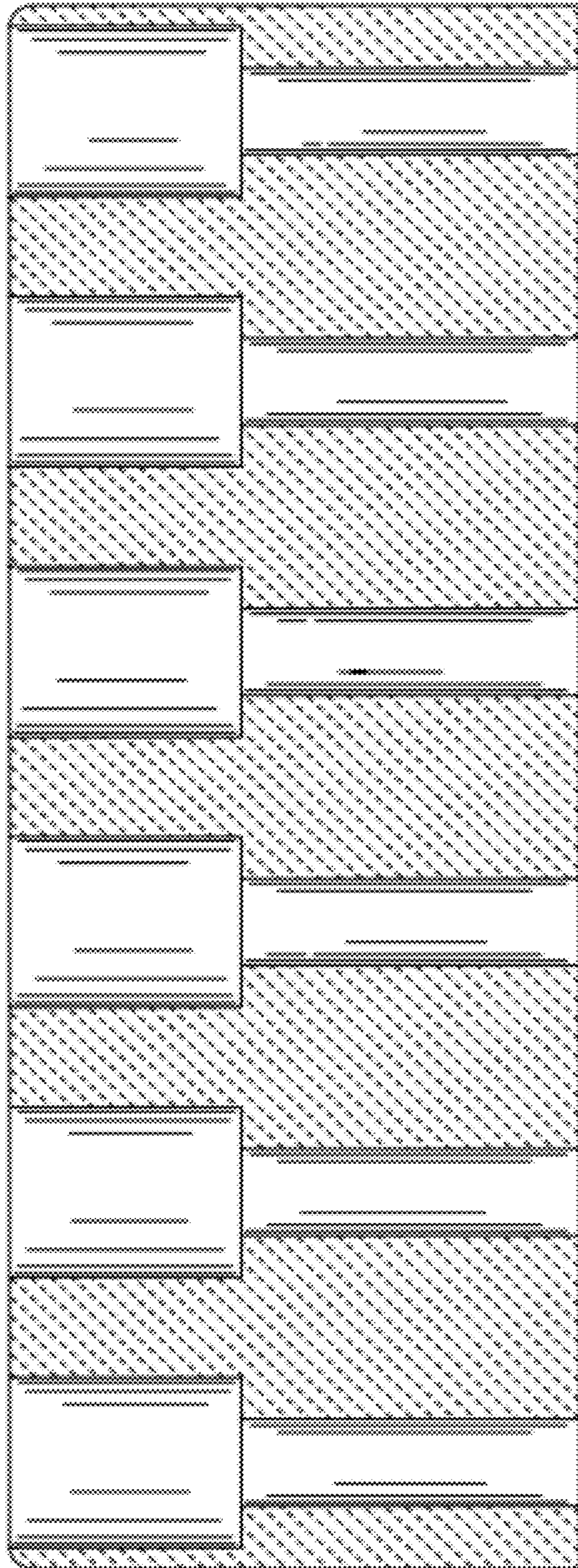


FIG. 8



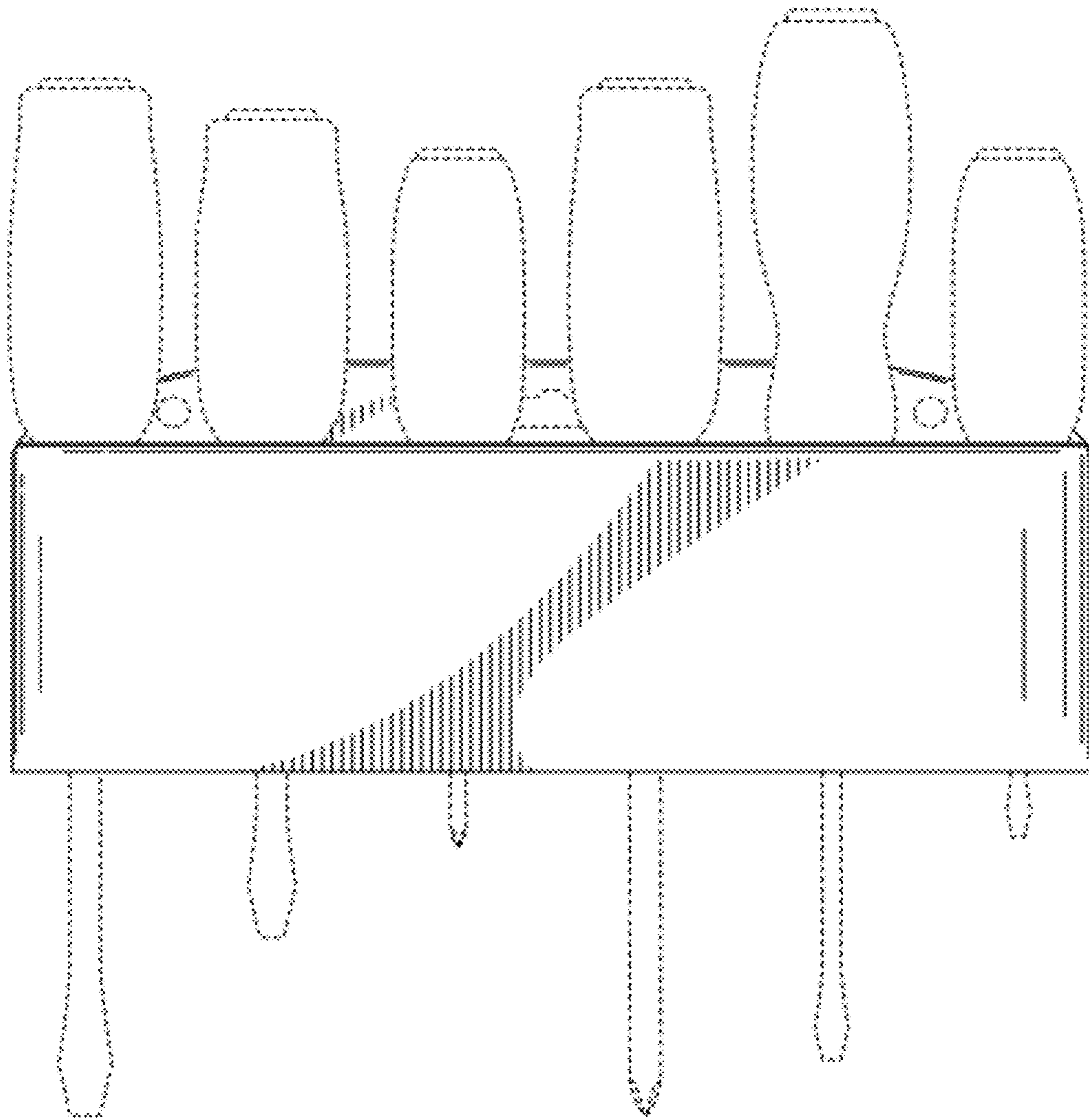


FIG. 9