



US00D664767S

(12) **United States Design Patent**  
**Shewmaker**

(10) **Patent No.:** **US D664,767 S**

(45) **Date of Patent:** **\*\* Aug. 7, 2012**

(54) **TREE STAND ACCESSORY BOX**

(76) Inventor: **Robert E. Shewmaker**, Ramsey, IN  
(US)

(\*\*) Term: **14 Years**

(21) Appl. No.: **29/390,617**

(22) Filed: **Apr. 27, 2011**

(51) **LOC (9) Cl.** ..... **03-01**

(52) **U.S. Cl.** ..... **D3/294**

(58) **Field of Classification Search** ..... D3/294,  
D3/272-273; 190/19; 206/278, 457, 215,  
206/555, 1.5

See application file for complete search history.

(56) **References Cited**

U.S. PATENT DOCUMENTS

1,624,714	A *	4/1927	Bullock	.....	190/19
1,843,391	A	2/1932	Gayle		
2,633,998	A	4/1953	Derman		
3,215,262	A *	11/1965	Fernandez et al.	.....	206/1.5
3,311,203	A *	3/1967	Pickard	.....	190/19
4,475,660	A	10/1984	Cain		
4,850,282	A	7/1989	Postic		
5,941,484	A	8/1999	Stepney, III et al.		
6,095,057	A	8/2000	Corban		
6,131,699	A	10/2000	Leak, Jr.		
6,205,935	B1	3/2001	Lindaman		

D563,105	S *	3/2008	Rothschild	.....	D3/302
D597,834	S *	8/2009	Mittelstaedt et al.	.....	D3/294
D611,252	S *	3/2010	Fiscus	.....	D3/294
7,681,850	B2	3/2010	Johnson		
D644,437	S *	9/2011	Lintula	.....	D3/294

\* cited by examiner

*Primary Examiner* — Holly Baynham

(74) *Attorney, Agent, or Firm* — Montgomery Patent & Designs, LLC; Robert C. Montgomery; Joseph Yaksich

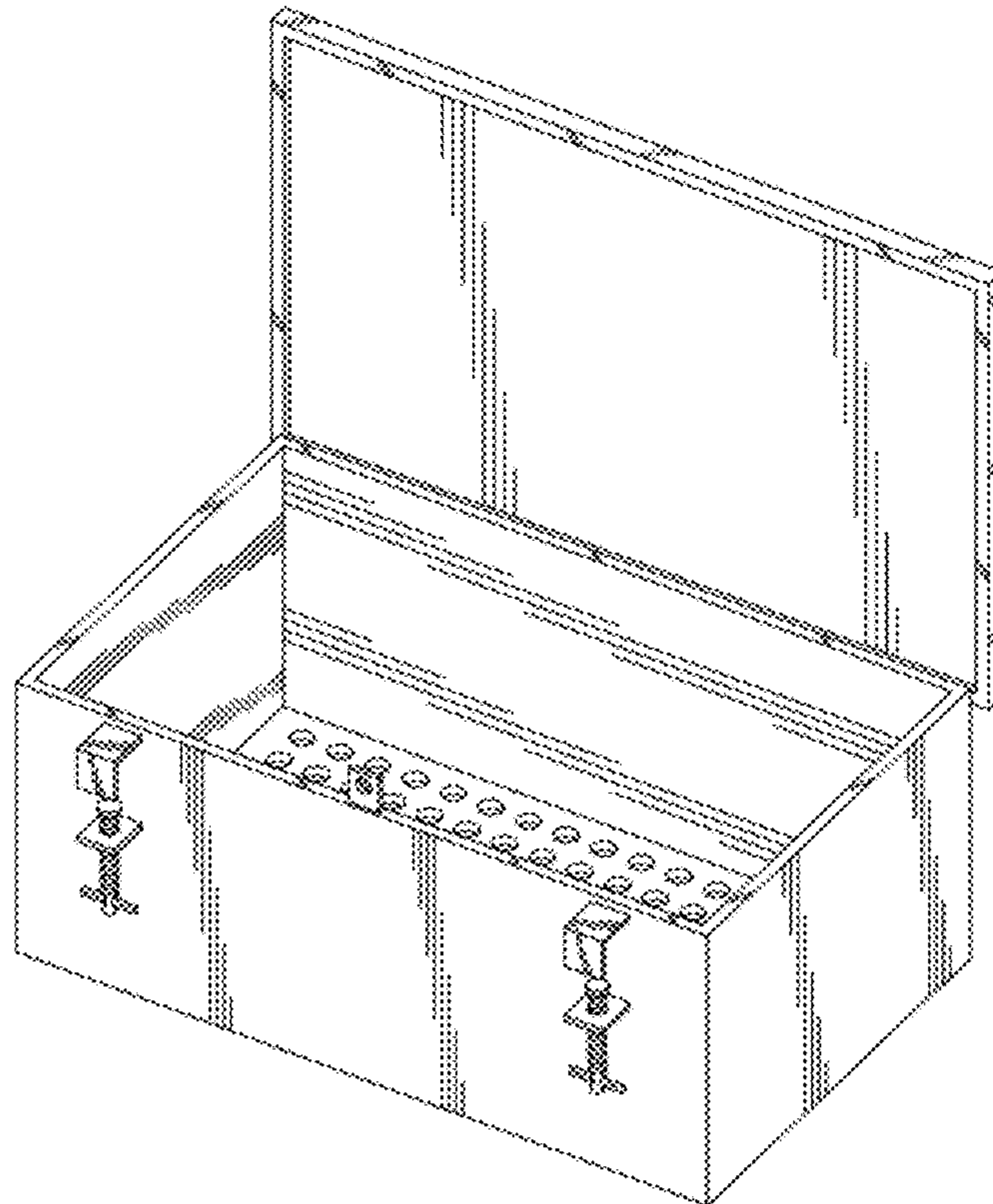
(57) **CLAIM**

The ornamental design for a tree stand accessory box, as shown and described.

**DESCRIPTION**

FIG. 1 is a perspective front view of a tree stand accessory box, showing my new design; FIG. 2 is a front view thereof; FIG. 3 is a rear view thereof; FIG. 4 is a left side view thereof; FIG. 5 is a right side view thereof; FIG. 6 is a top view thereof; FIG. 7 is a bottom view thereof; and, FIG. 8 is a perspective front view of the tree stand accessory box, depicted with a hingedly attached cover in a close position.

**1 Claim, 8 Drawing Sheets**



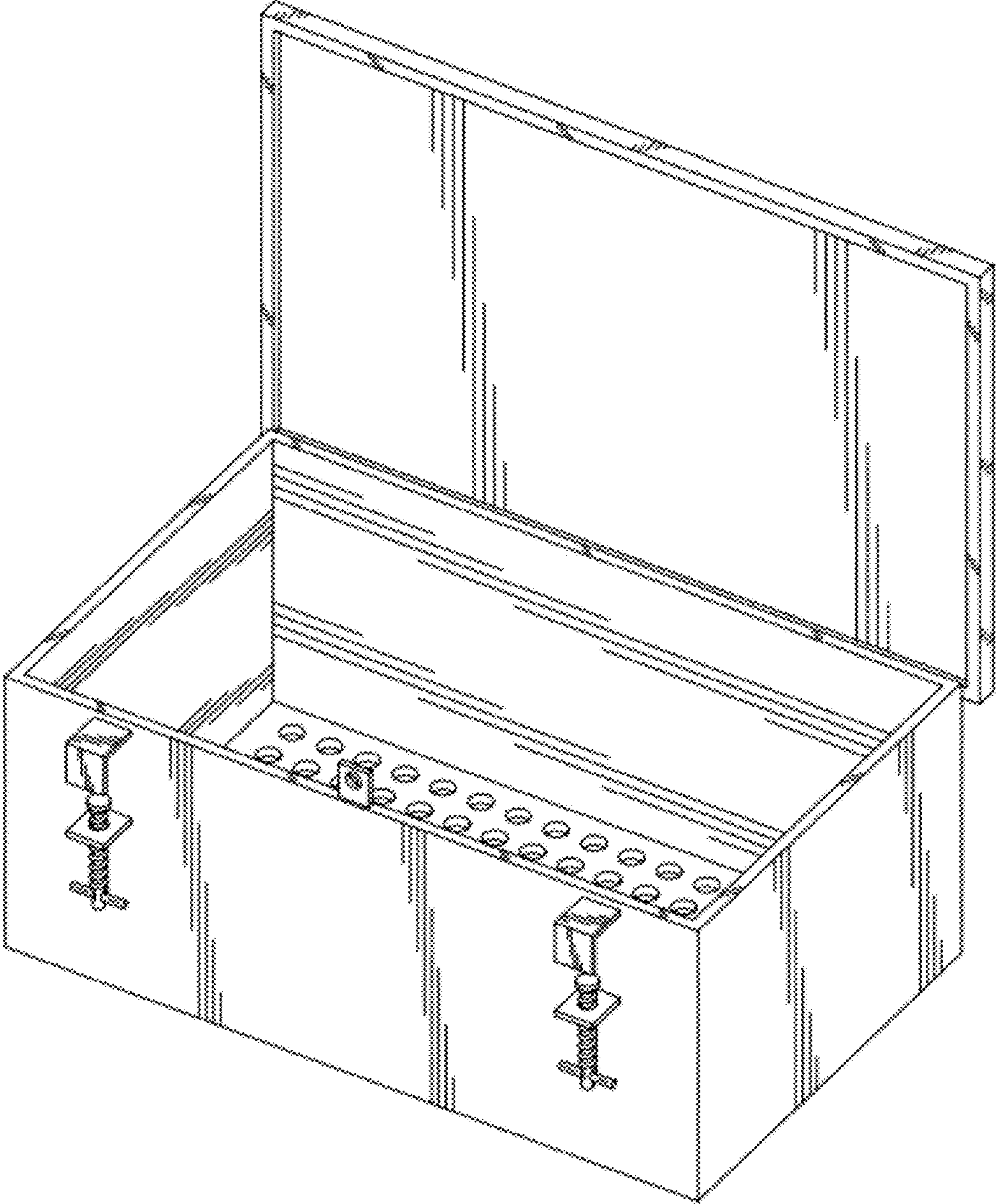


Fig. 1

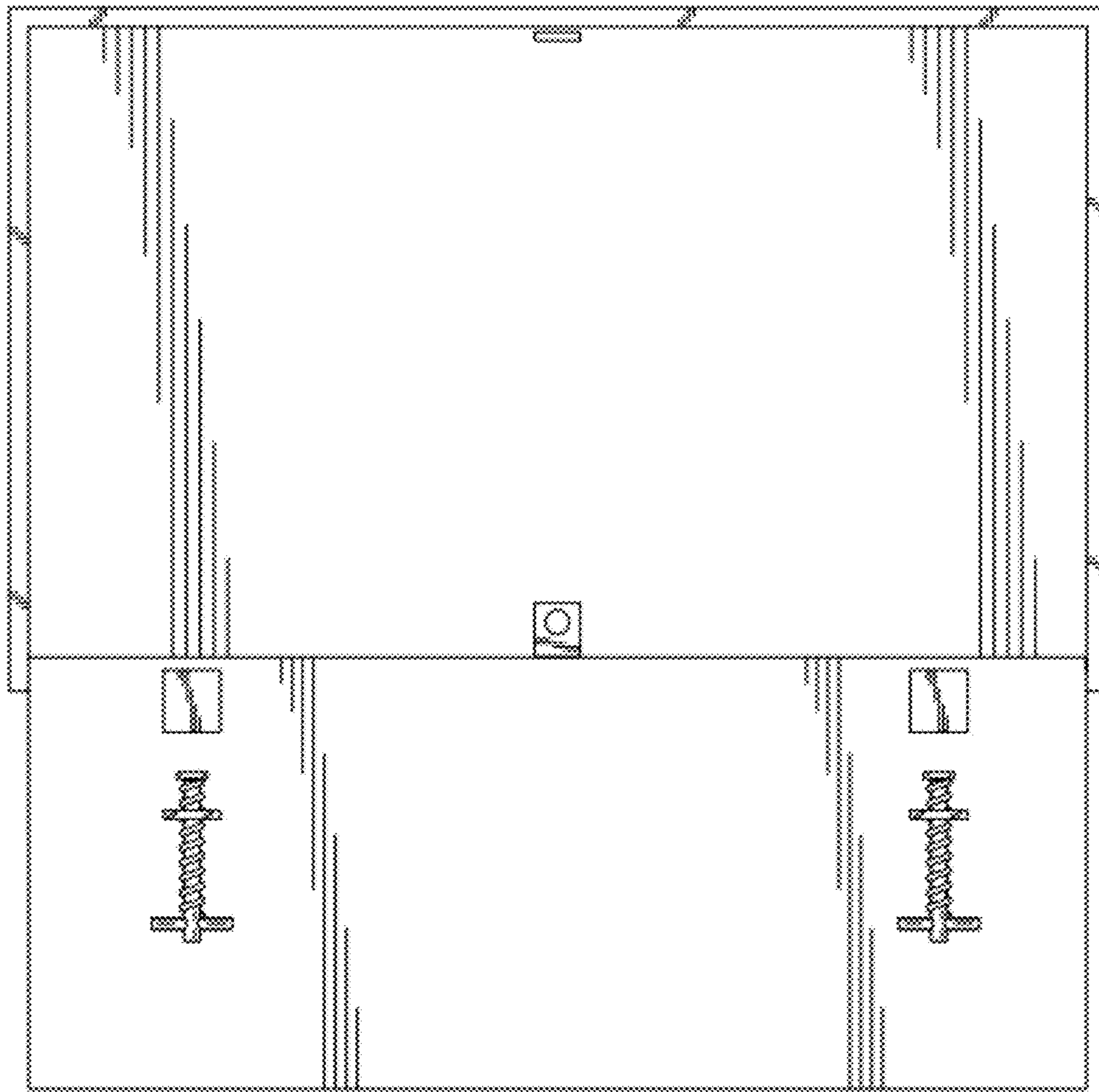


Fig. 2



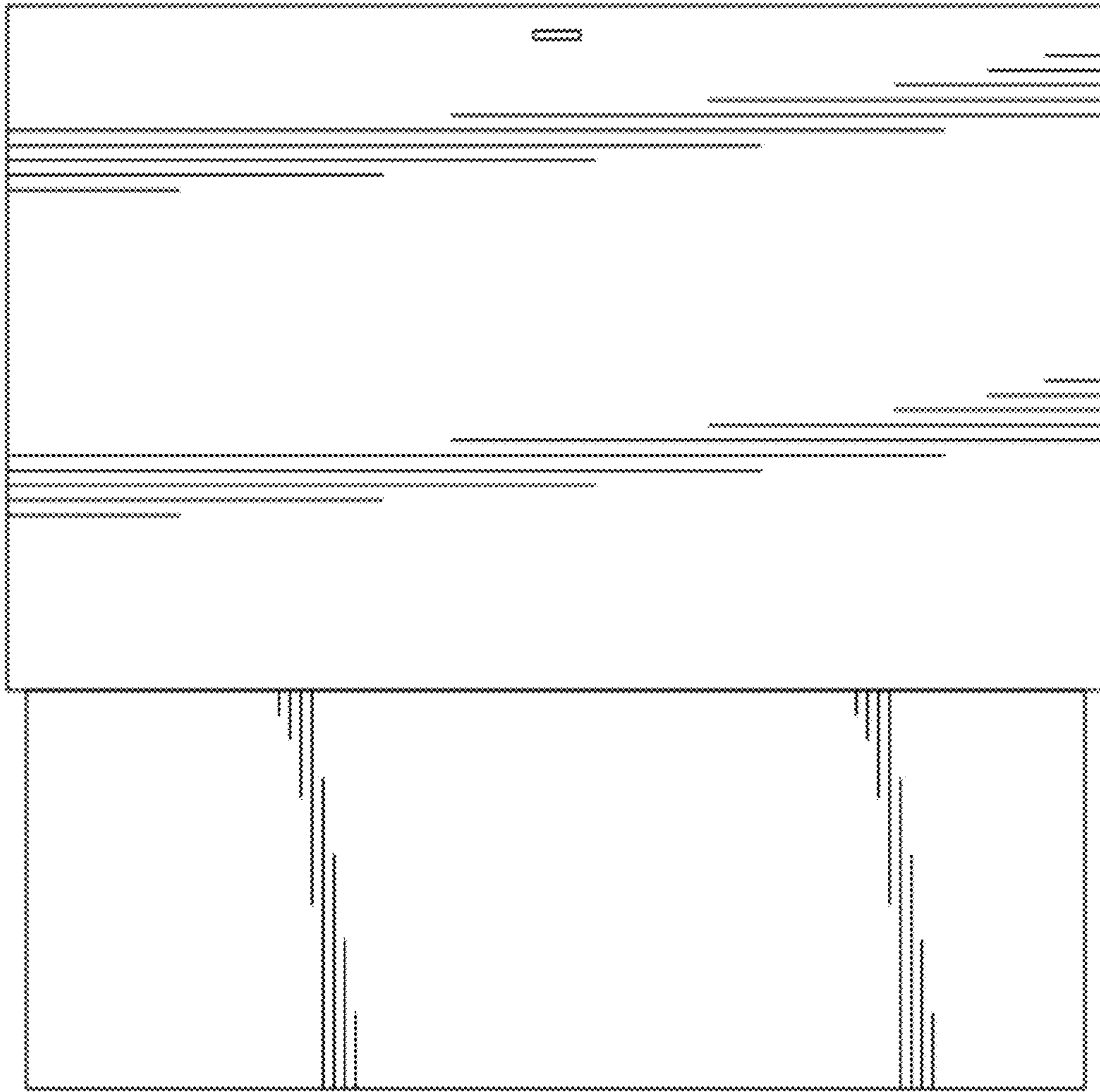


Fig. 3

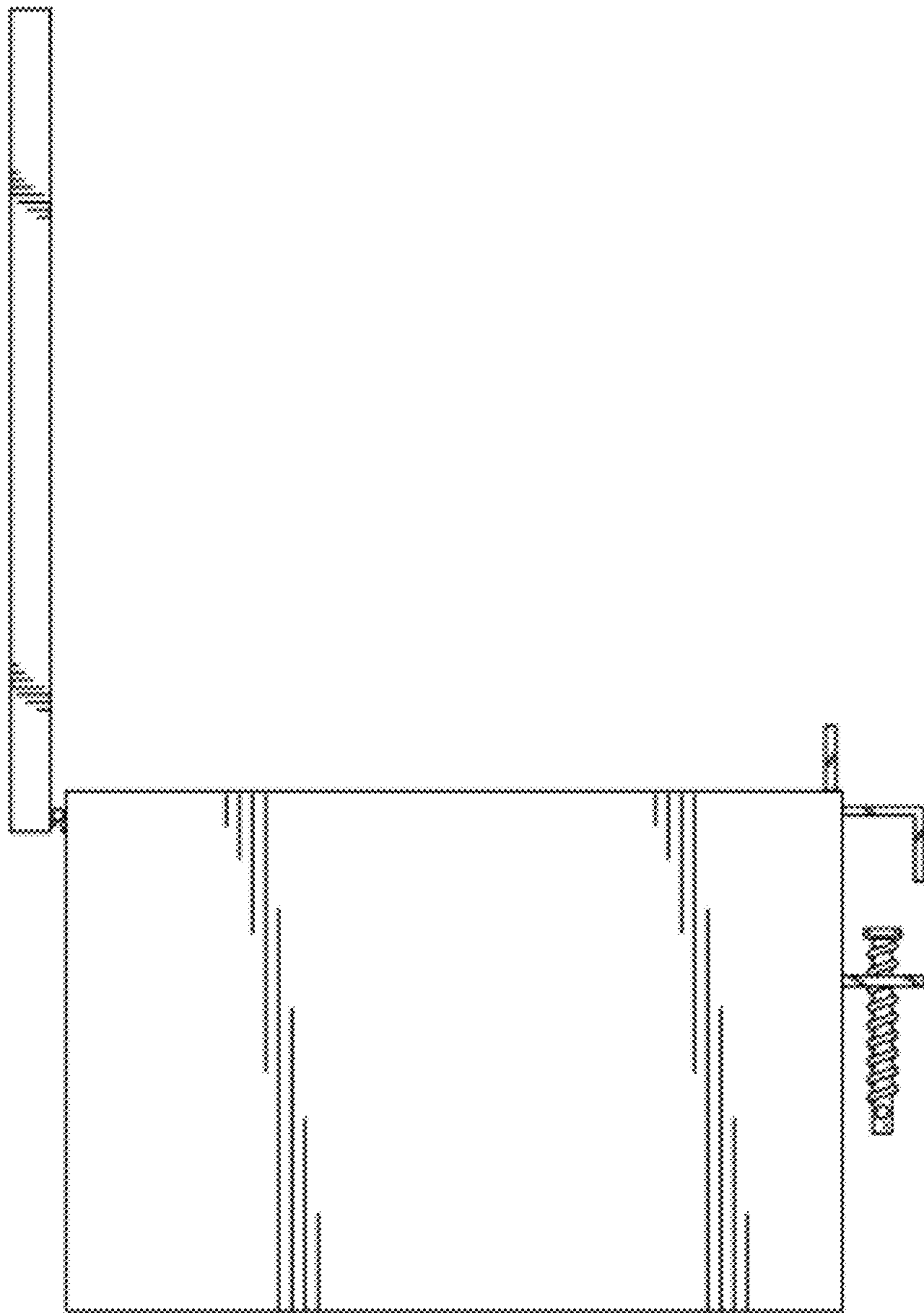


Fig. 4

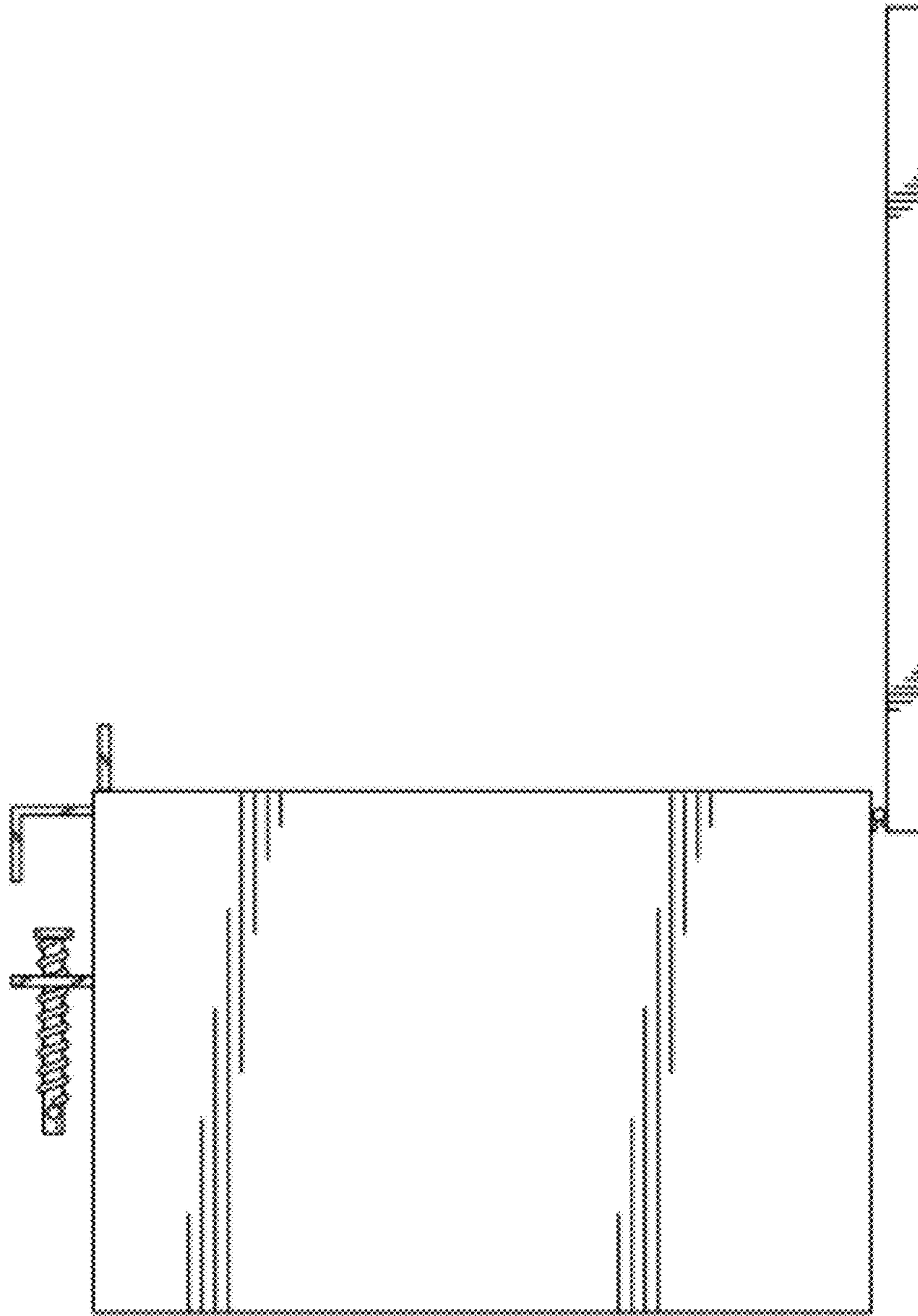


Fig. 5

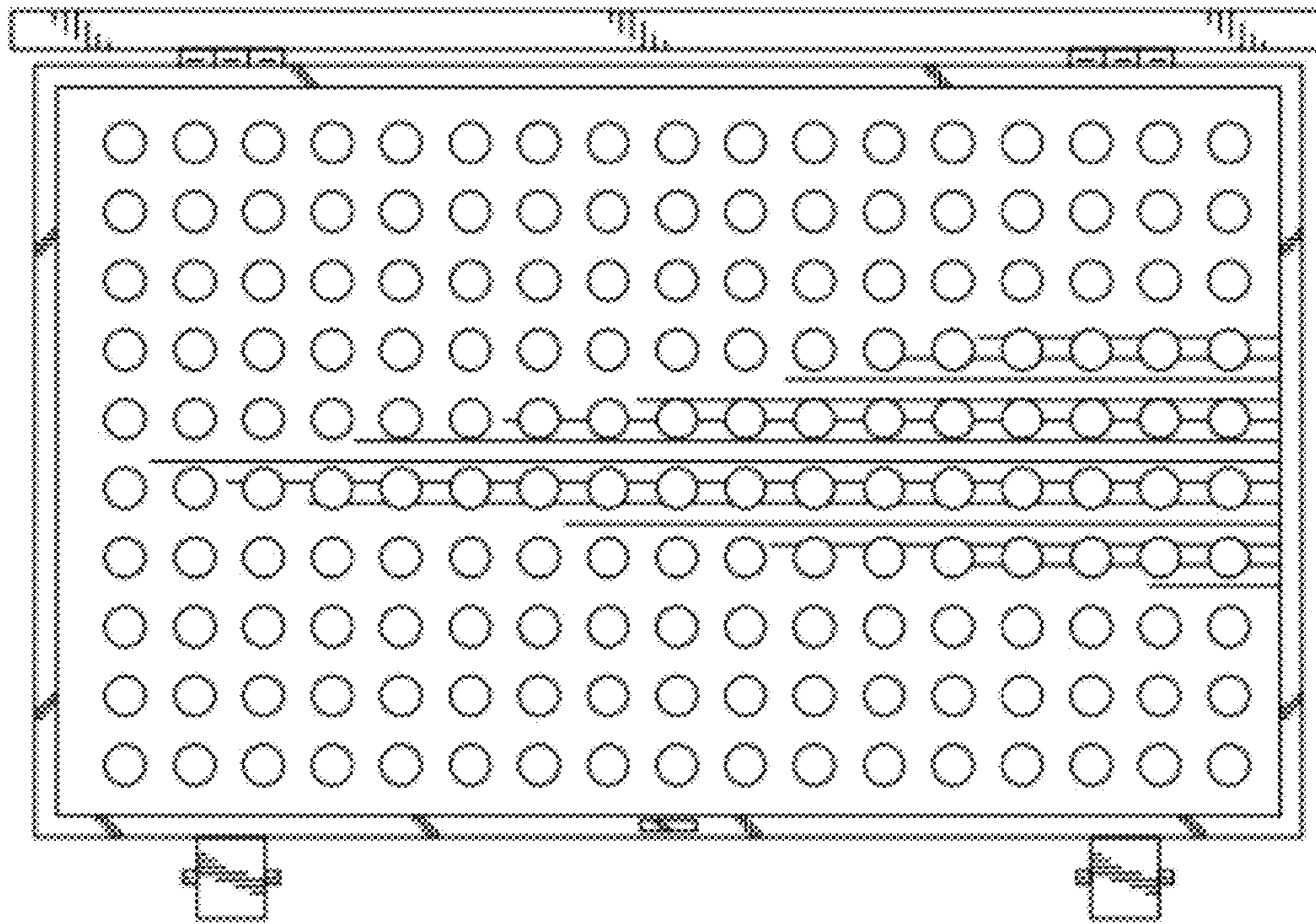


Fig. 6

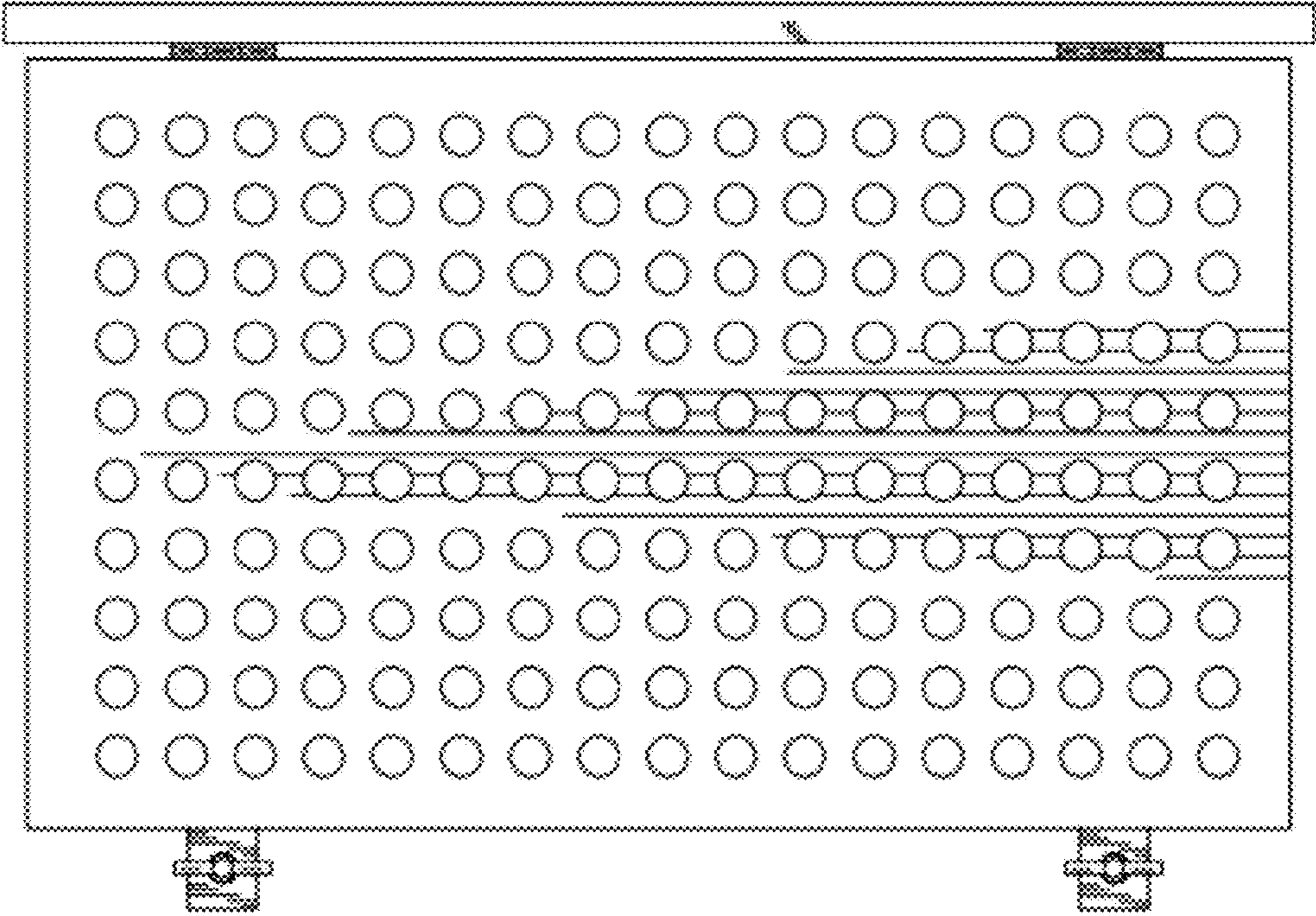


Fig. 7



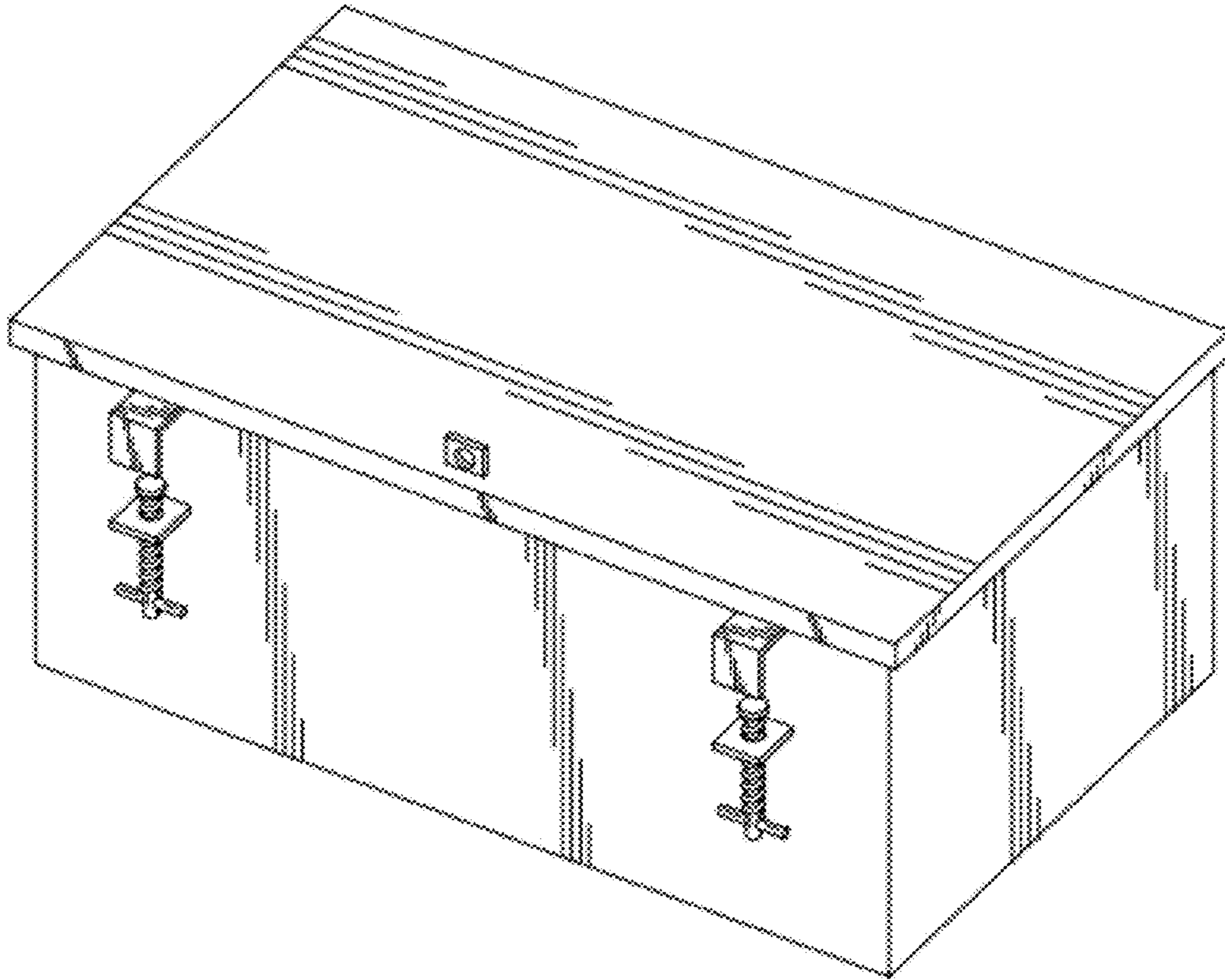


Fig. 8