

US00D664764S

(12) **United States Design Patent**
Bub et al.

(10) **Patent No.:** **US D664,764 S**
(45) **Date of Patent:** **** Aug. 7, 2012**

(54) **CASE**

(76) Inventors: **Lori Lynn Bub**, Kihei, HI (US); **George Robert Bub**, Kihei, HI (US)

(**) Term: **14 Years**

(21) Appl. No.: **29/399,395**

(22) Filed: **Aug. 12, 2011**

(51) **LOC (9) Cl.** **03-01**

(52) **U.S. Cl.** **D3/276; D3/242**

(58) **Field of Classification Search** D3/272,
D3/273, 276, 291, 292, 294-297, 900, 242;
190/19, 23, 37, 40, 900, 115, 119, 121; 150/110,
150/119, 120

See application file for complete search history.

(56) **References Cited**

U.S. PATENT DOCUMENTS

D177,939	S *	6/1956	Rosenberg	D3/242
D357,807	S *	5/1995	Meyer	D3/276
D624,752	S *	10/2010	Fried et al.	D3/285
2008/0230157	A1 *	9/2008	Whiting et al.	150/104

OTHER PUBLICATIONS

Web page from internet for vintage Romeo Roma cigar box handbag, date unknown, Nelda's Vintage and Designer Fashion.*

* cited by examiner

Primary Examiner — Jennifer Rivard

(74) *Attorney, Agent, or Firm* — Jeffrey G. Sheldon; Sheldon Mak & Anderson

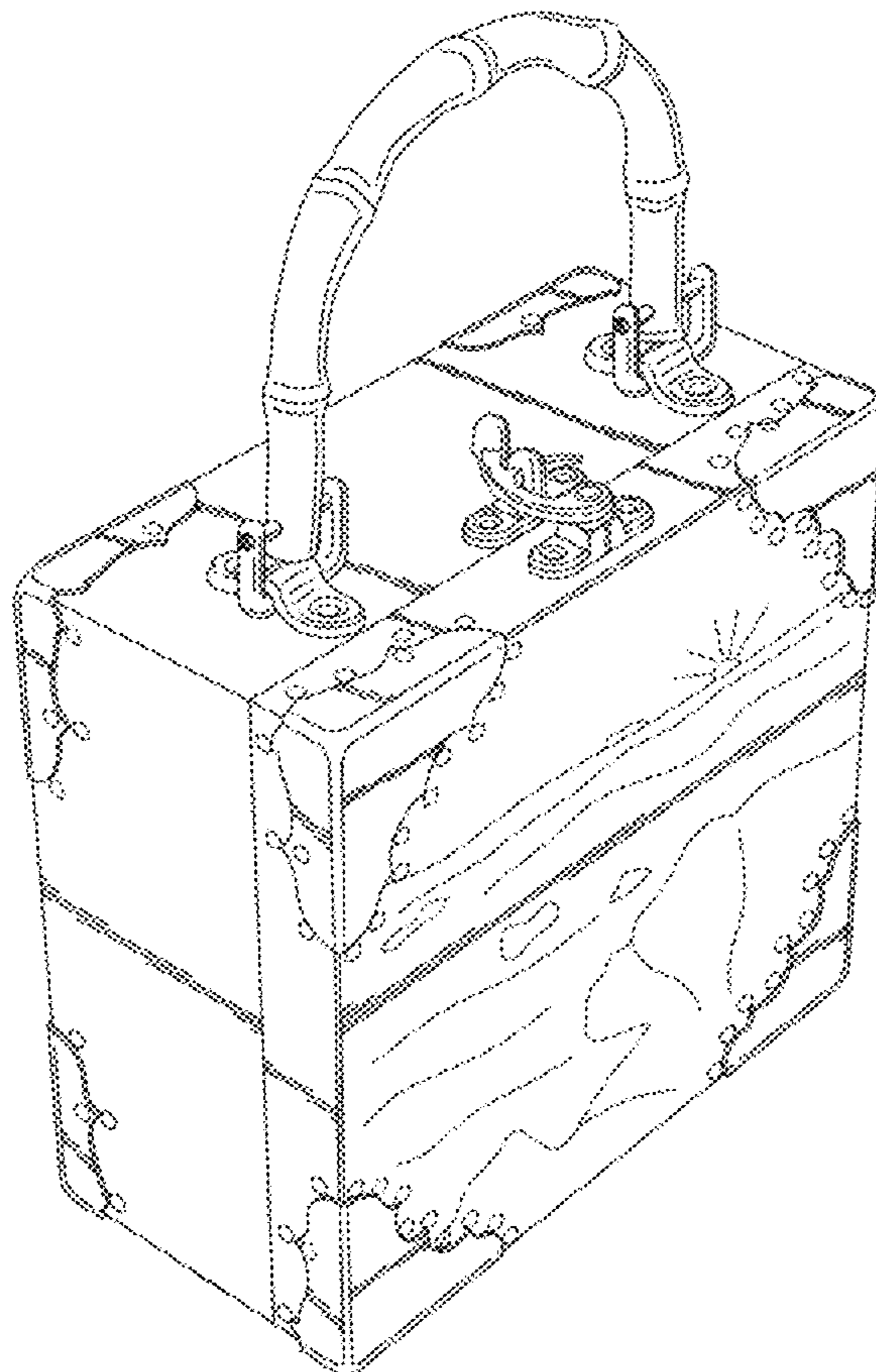
(57) **CLAIM**

What is claimed the ornamental design for case, as shown and described.

DESCRIPTION

FIG. 1 is a perspective view of the invention;
FIG. 2 is a left side elevation view of the invention shown in FIG. 1;
FIG. 3 is a right side elevation view of the invention shown in FIG. 1;
FIG. 4 is a front elevation view of the invention shown in FIG. 1;
FIG. 5 is a top plan view of the invention of FIG. 1;
FIG. 6 is a bottom plan view of the invention of FIG. 1; and,
FIG. 7 is a rear elevation view of the invention of FIG. 1.
The broken lines shown in the drawings illustrate portions of the article and form no part of the claimed design.

1 Claim, 6 Drawing Sheets



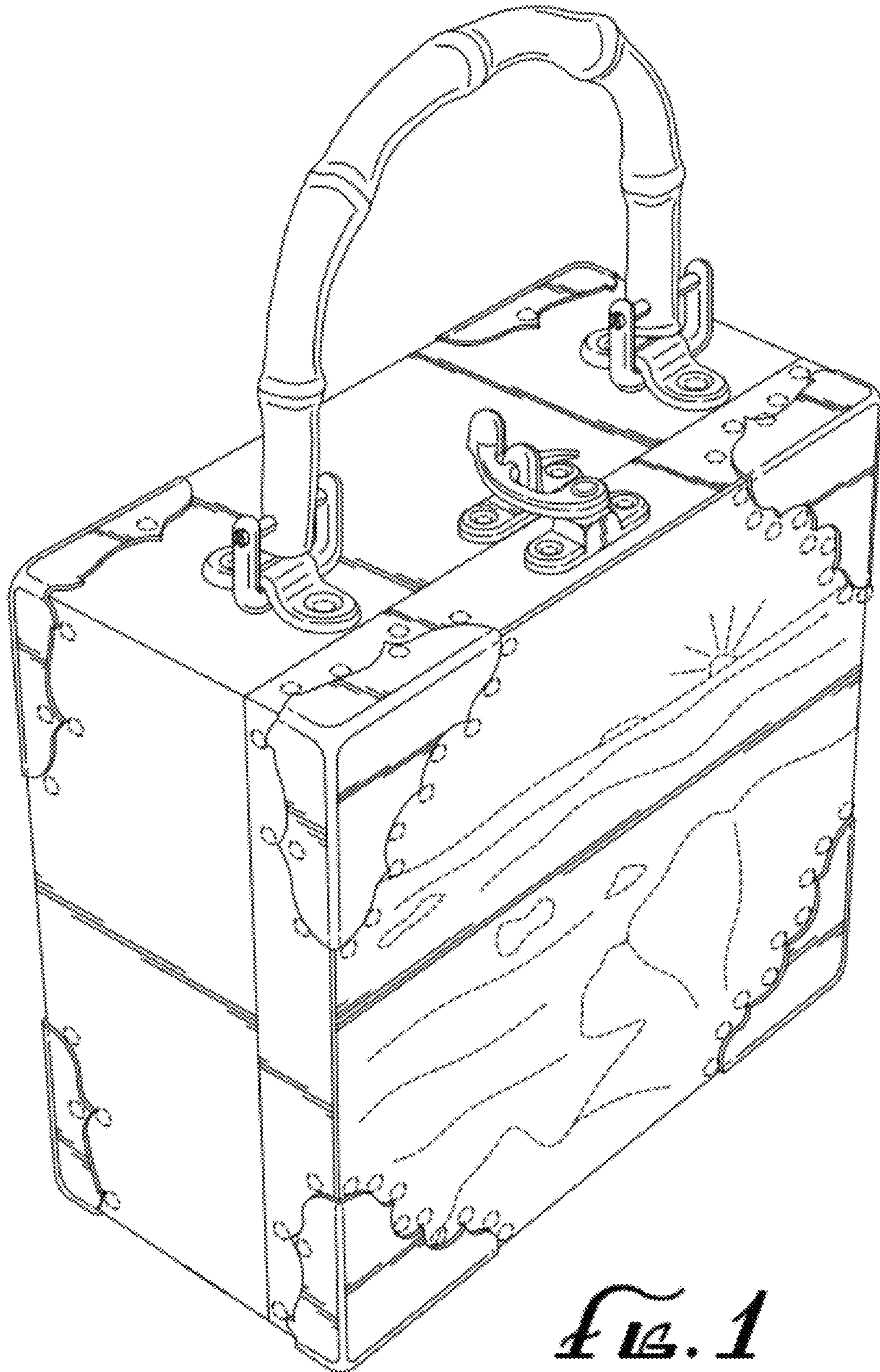


FIG. 1

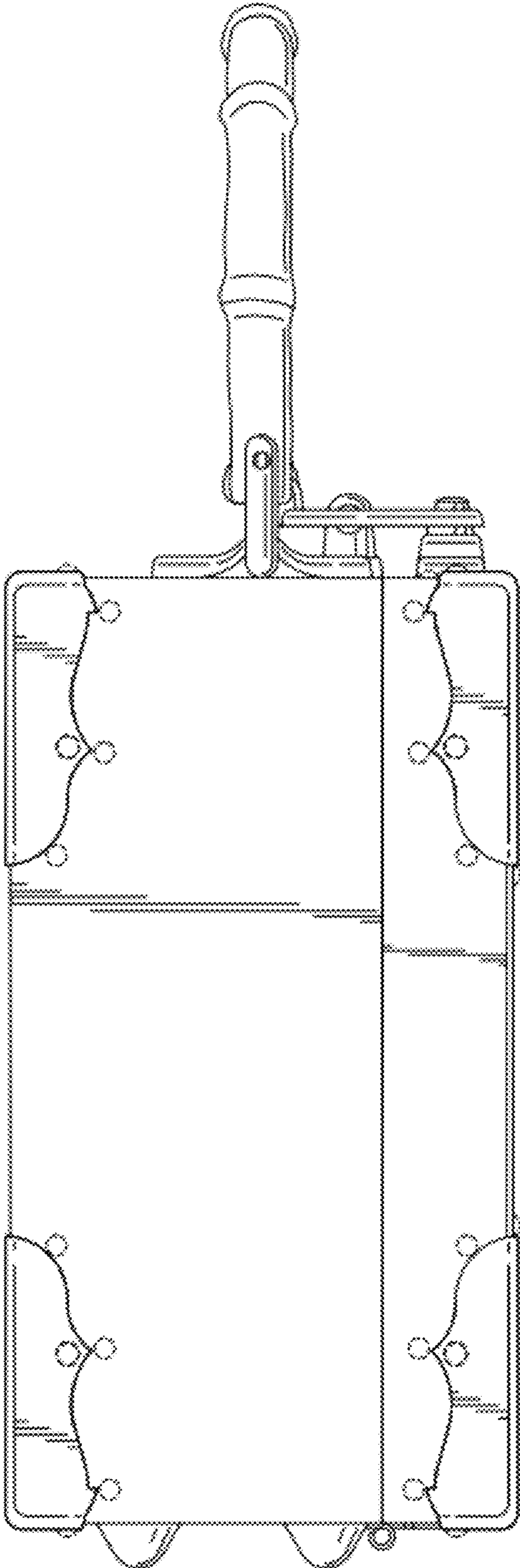


FIG. 2

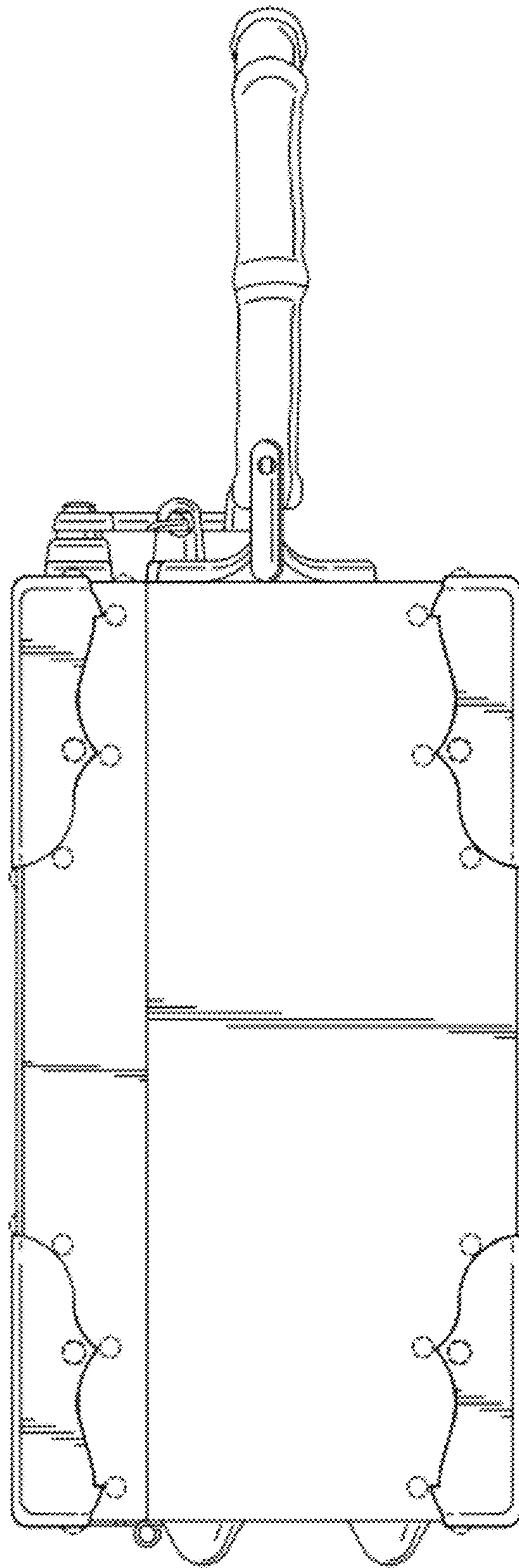


FIG. 3

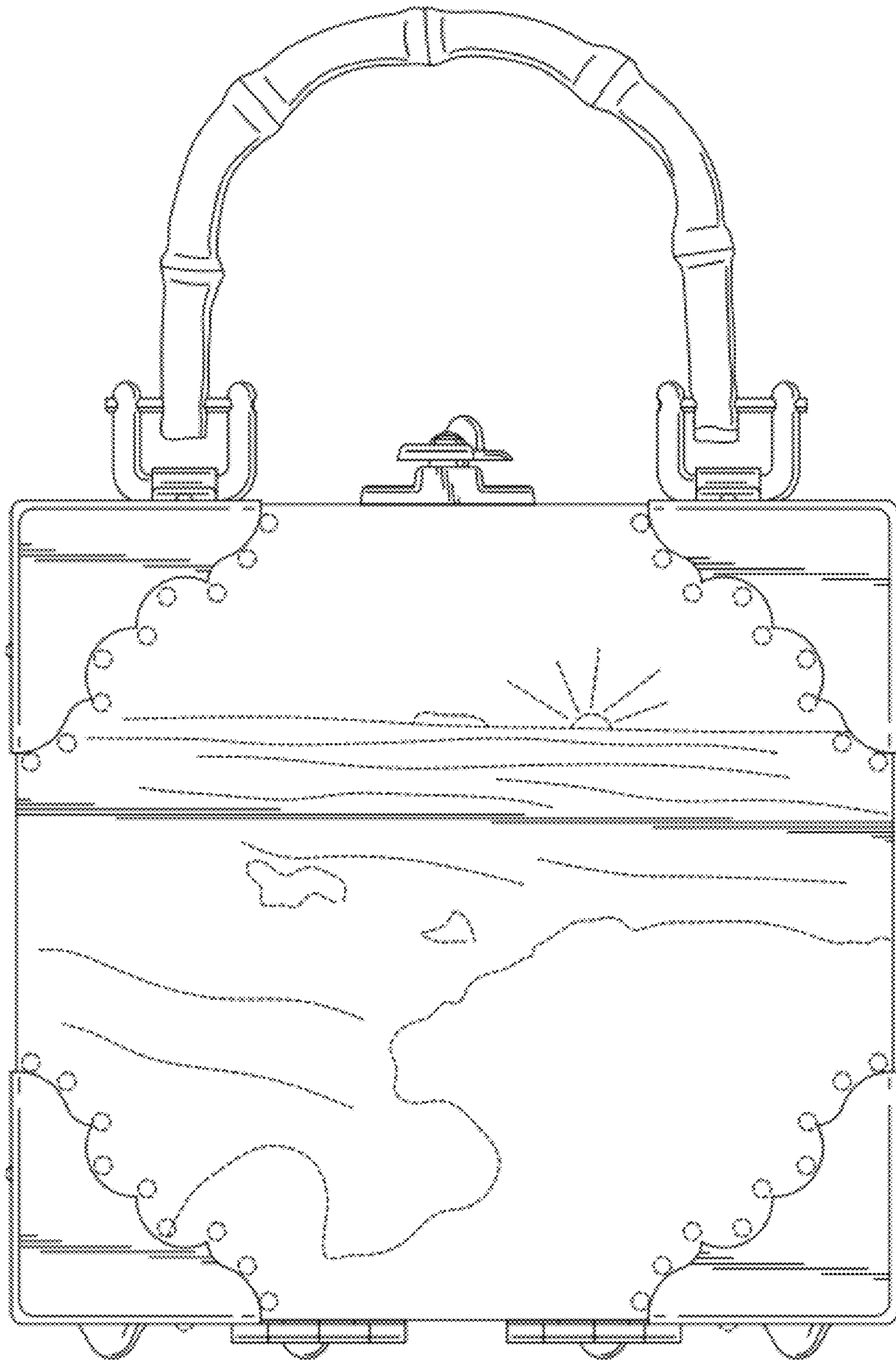


FIG. 1

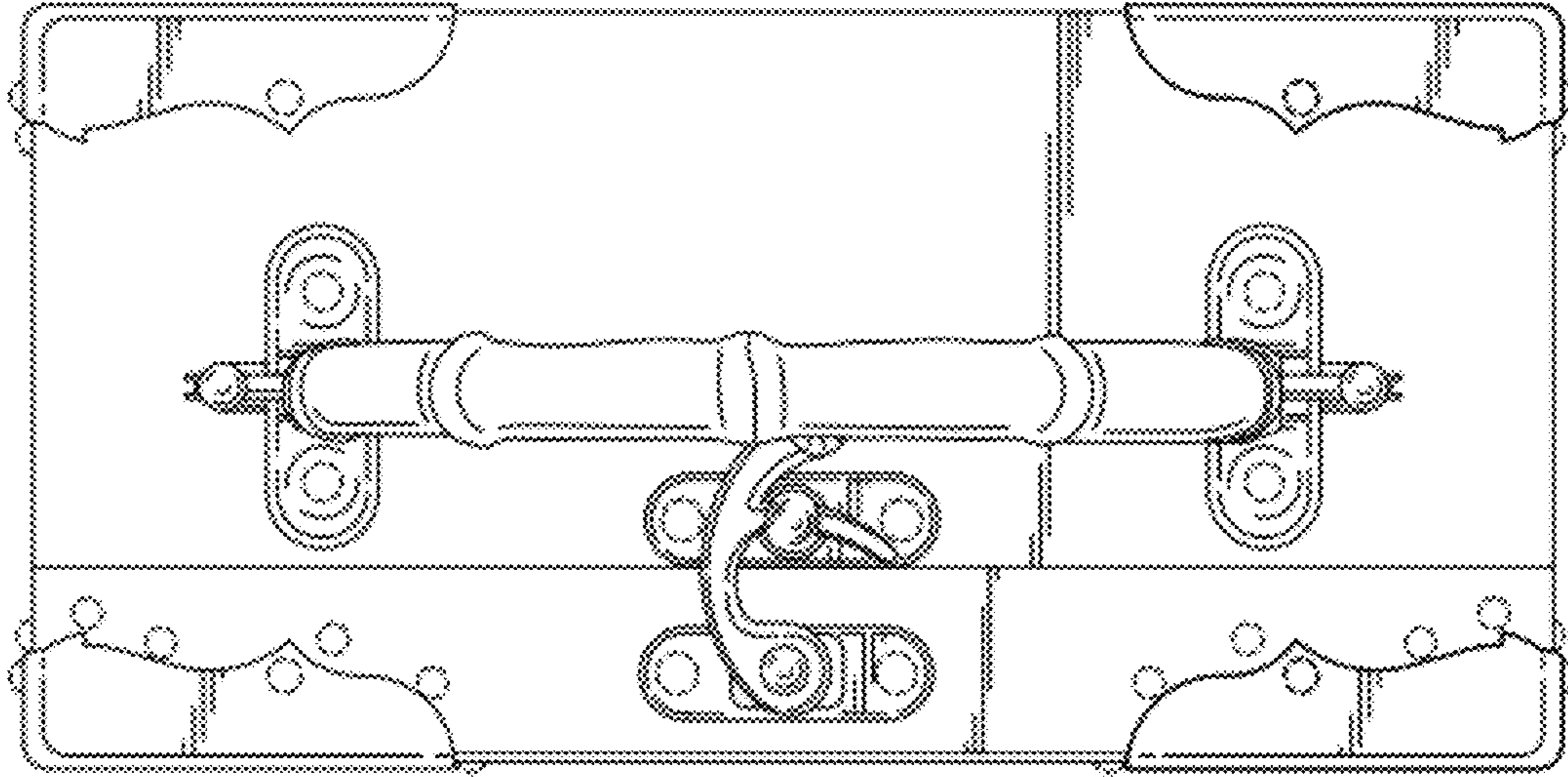


Fig. 5

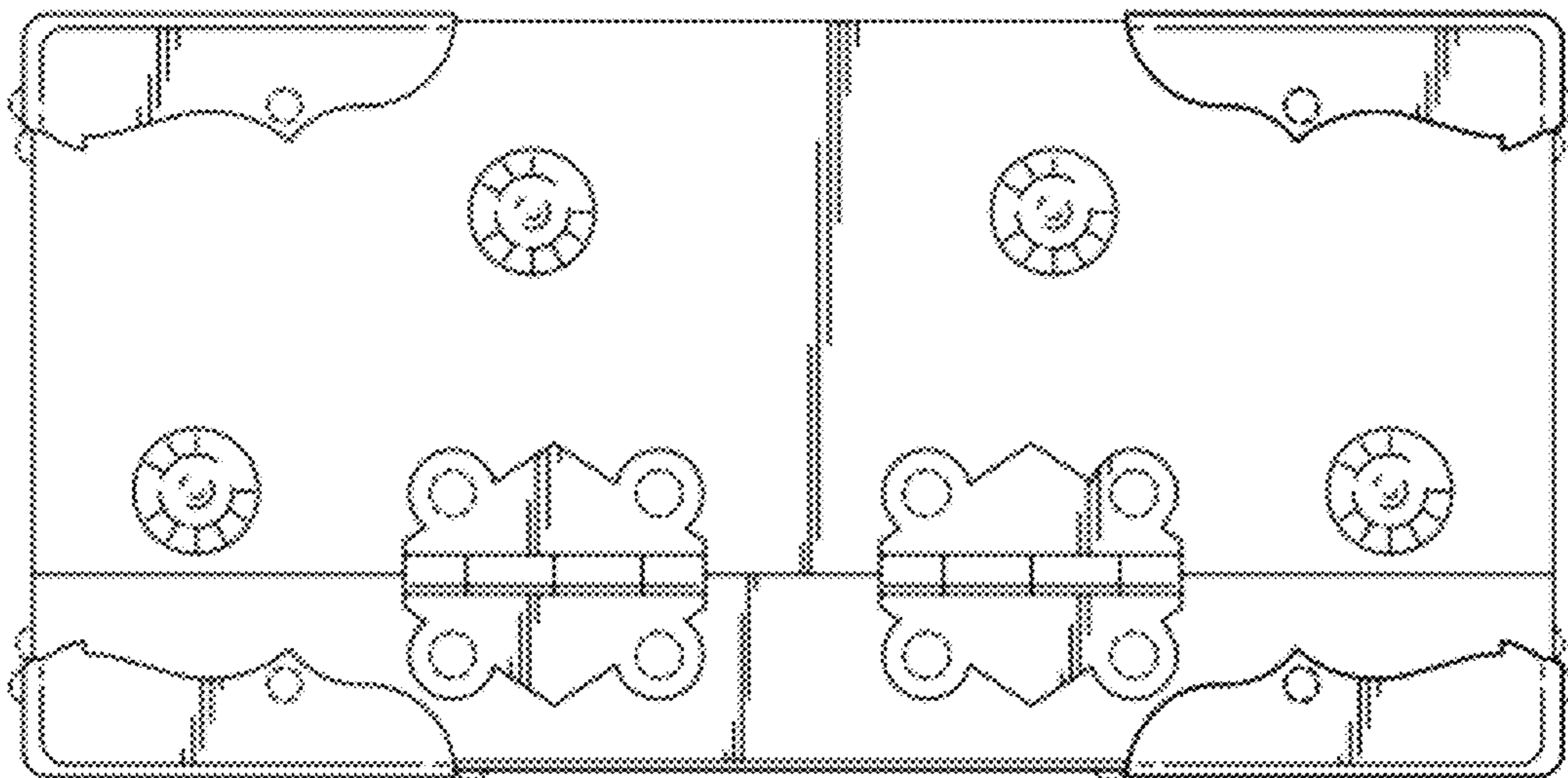


Fig. 6

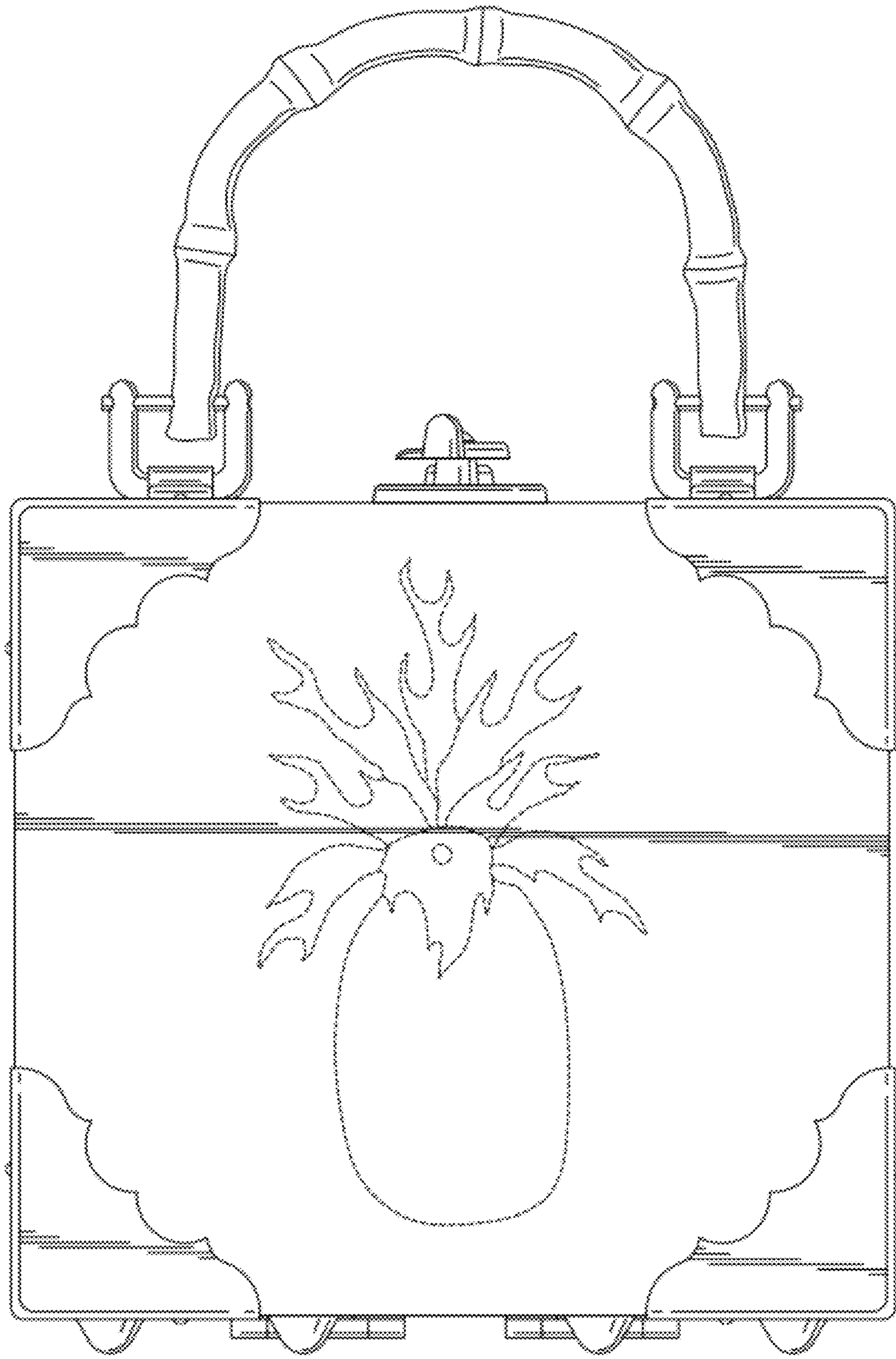


Fig. 7