

US00D664763S

(12) **United States Design Patent**
Negrini

(10) **Patent No.:** **US D664,763 S**

(45) **Date of Patent:** **** Aug. 7, 2012**

(54) **SHEATH FOR ARMS**

(75) Inventor: **Graziano Negrini**, Quistello (IT)

(73) Assignee: **Negrini S.r.l.**, Quistello (IT)

(**) Term: **14 Years**

(21) Appl. No.: **29/371,873**

(22) Filed: **Nov. 18, 2011**

(30) **Foreign Application Priority Data**

May 19, 2011 (EM) 001865924

(51) **LOC (9) Cl.** **03-01**

(52) **U.S. Cl.** **D3/262**

(58) **Field of Classification Search** D3/262,
D3/273; 206/315.11, 317

See application file for complete search history.

(56) **References Cited**

U.S. PATENT DOCUMENTS

D411,767 S *	7/1999	Keller	D3/273
D412,786 S *	8/1999	Killinger	D3/273
D559,544 S *	1/2008	Allen	D3/254
D559,545 S *	1/2008	Allen	D3/254

* cited by examiner

Primary Examiner — Holly Baynham

(74) *Attorney, Agent, or Firm* — Modiano & Associati;
Albert Josif; Daniel O'Byrne

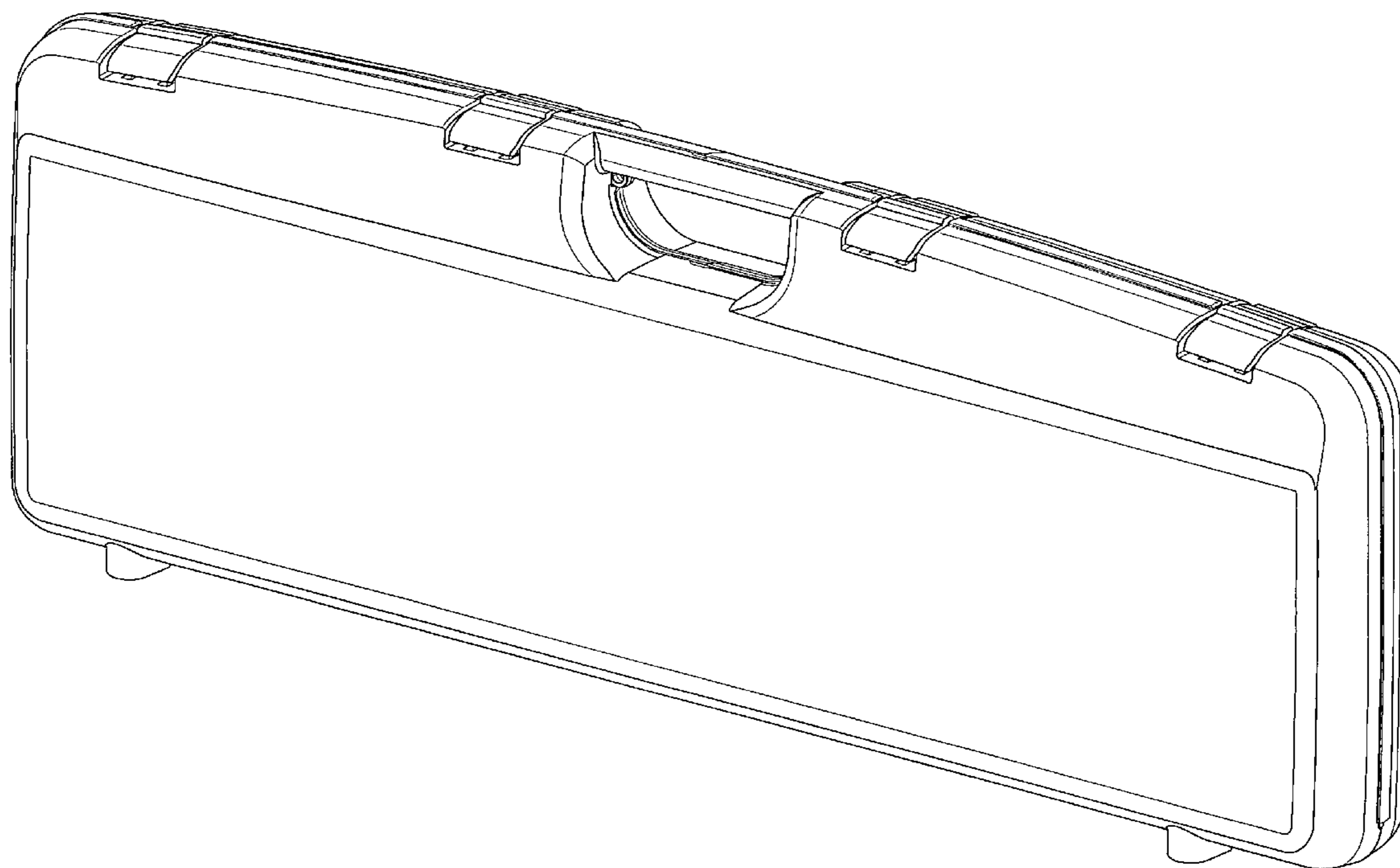
(57) **CLAIM**

The ornamental design for a sheath for arms, as shown and described.

DESCRIPTION

FIG. 1 is a perspective view of a sheath for arms showing my new design;
FIG. 2 is a front view thereof;
FIG. 3 is a rear view thereof;
FIG. 4 is a left side view thereof;
FIG. 5 is a right side view thereof;
FIG. 6 is a top view thereof; and,
FIG. 7 is a bottom view thereof.

1 Claim, 5 Drawing Sheets



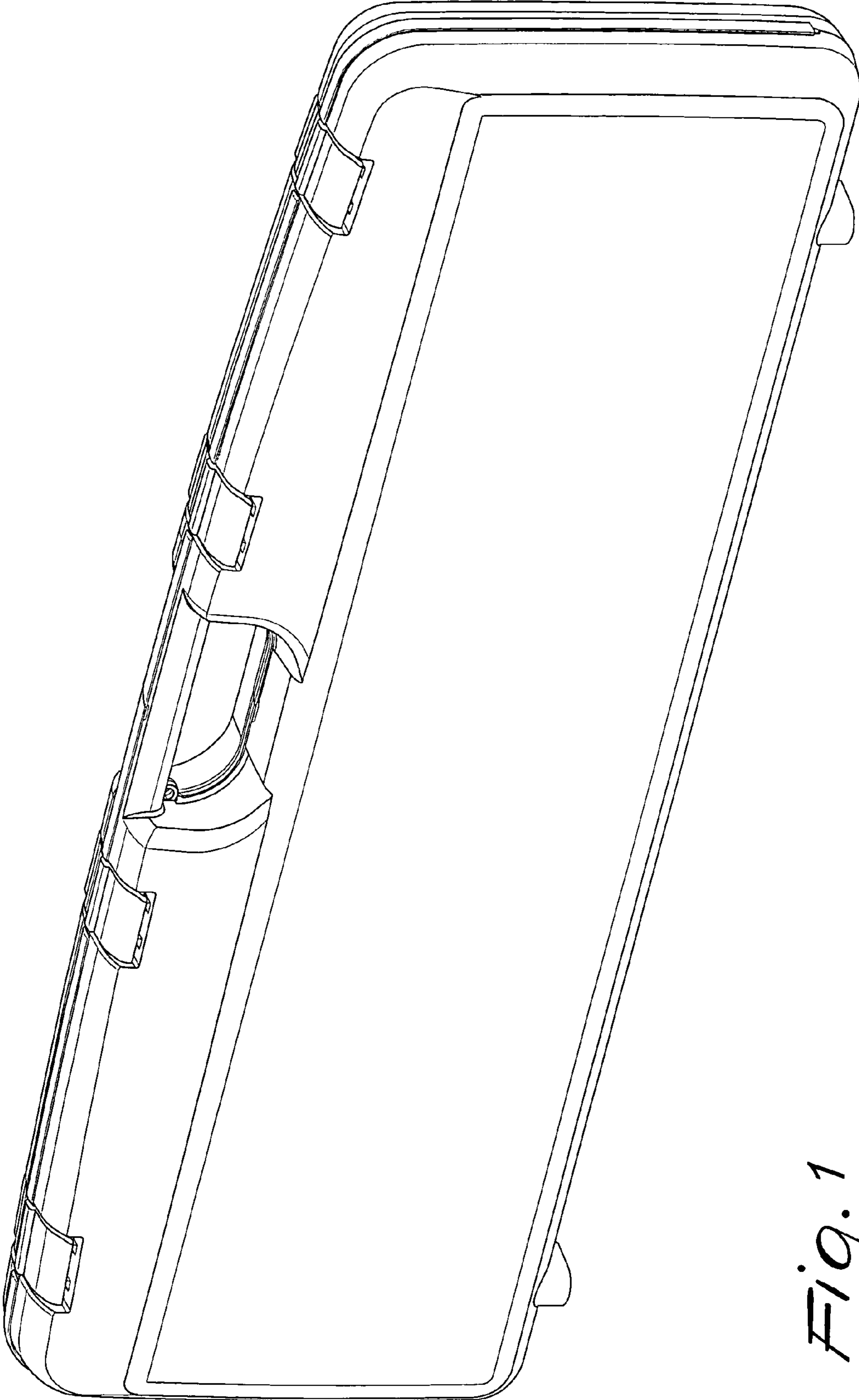


Fig. 1

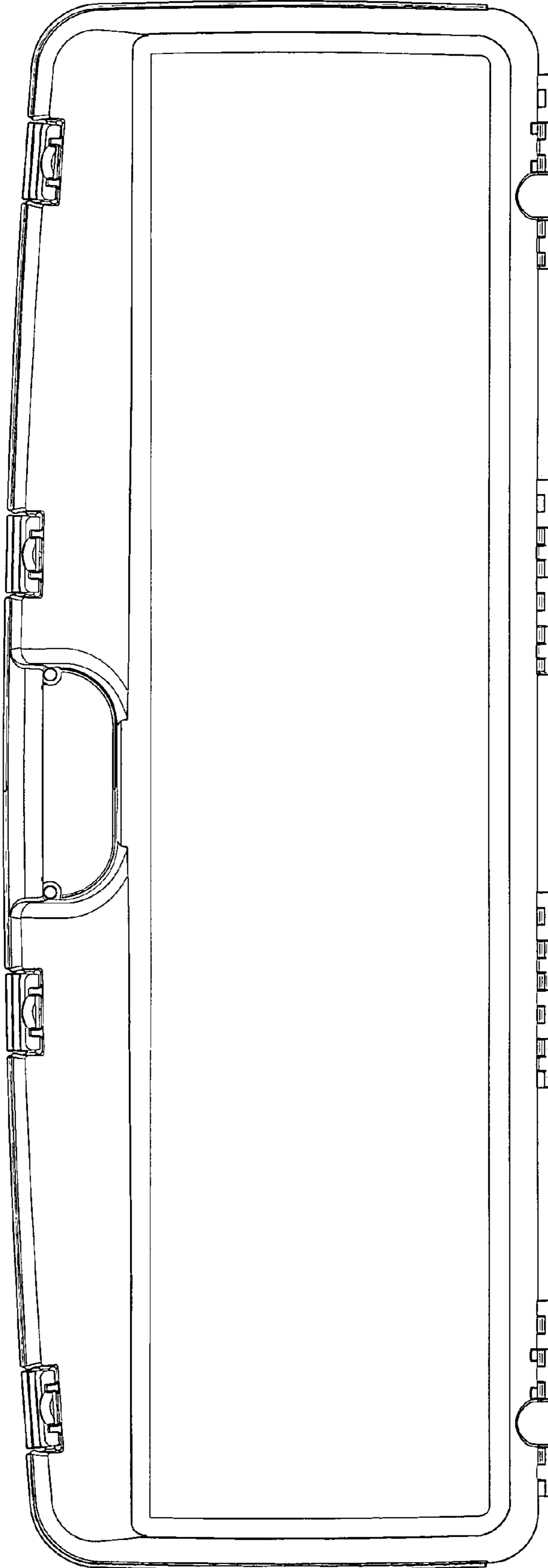


Fig. 2

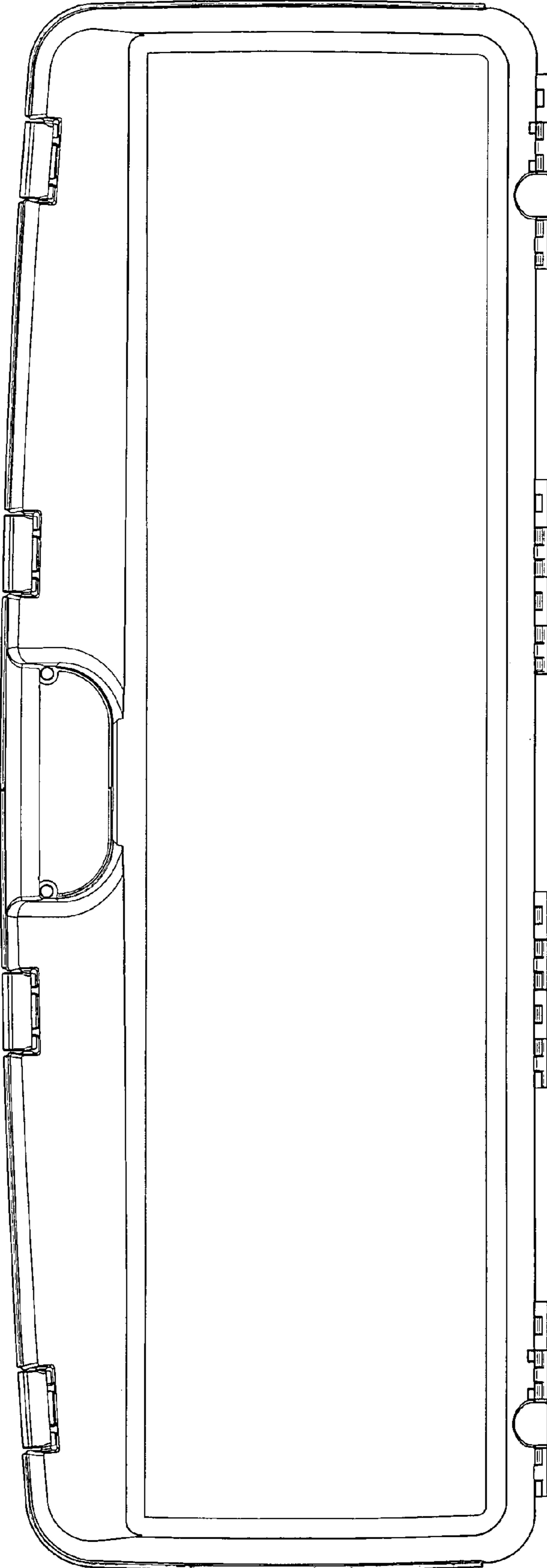


Fig. 3

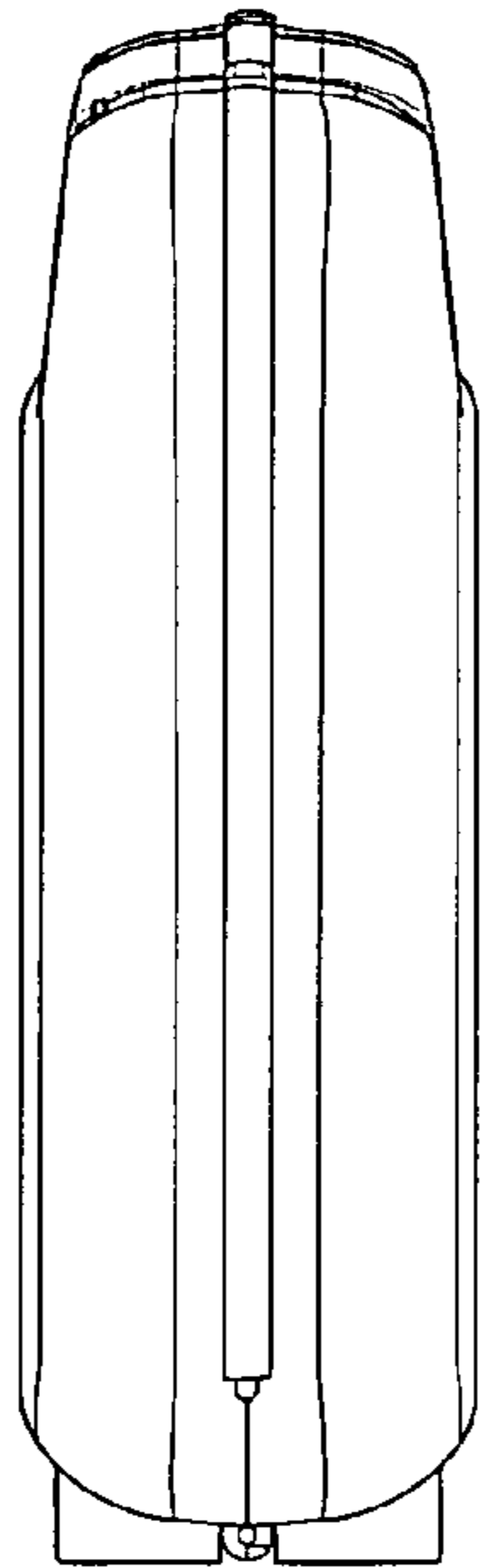


Fig. 4

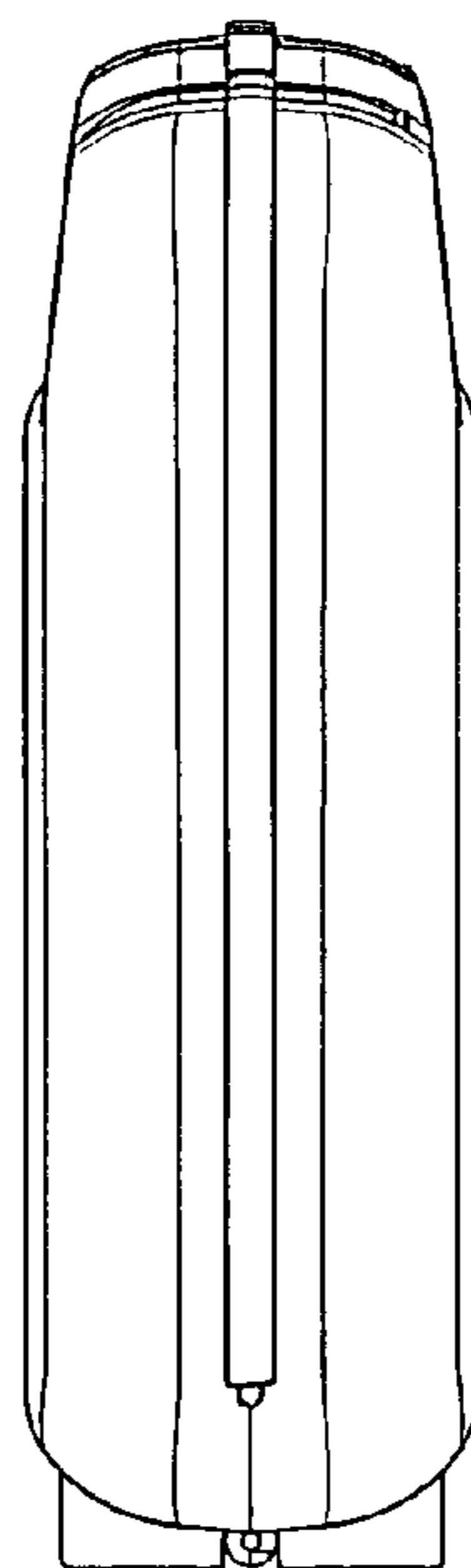


Fig. 5

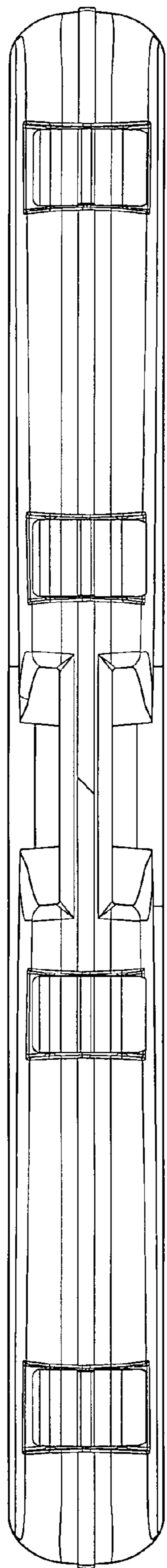


Fig. 6

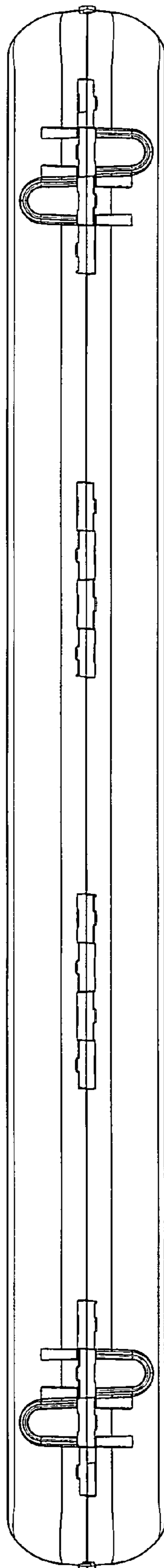


Fig. 7