



US00D664762S

(12) **United States Design Patent**
Dalton

(10) **Patent No.:** **US D664,762 S**

(45) **Date of Patent:** **** Aug. 7, 2012**

(54) **PILL BOX**

(75) **Inventor:** **Peter David Dalton**, Los Angeles, CA
(US)

(73) **Assignee:** **Sun Coast Merchandise Corp.**,
Commerce, CA (US)

(**) **Term:** **14 Years**

(21) **Appl. No.:** **29/395,861**

(22) **Filed:** **Apr. 16, 2012**

Related U.S. Application Data

(63) Continuation of application No. 13/068,846, filed on
Jan. 9, 2009.

(51) **LOC (9) Cl.** **03-01**

(52) **U.S. Cl.** **D3/203.2**

(58) **Field of Classification Search** D3/201–205,
D3/294; D9/414, 417–418, 422–423, 425,
D9/428, 529; 206/528–540; D22/119

See application file for complete search history.

(56) **References Cited**

U.S. PATENT DOCUMENTS

D320,833	S	*	10/1991	Lumsden	D22/119
D441,828	S	*	5/2001	Leyerle et al.	D22/119
D616,958	S	*	6/2010	Huang	D22/119
D619,799	S	*	7/2010	Leifeld et al.	D3/203.2
D622,499	S	*	8/2010	Sprada et al.	D3/203.2
D652,204	S	*	1/2012	Lindqvist et al.	D3/203.2

* cited by examiner

Primary Examiner — Catheri Oliver

(74) *Attorney, Agent, or Firm* — Steven E. Shapiro

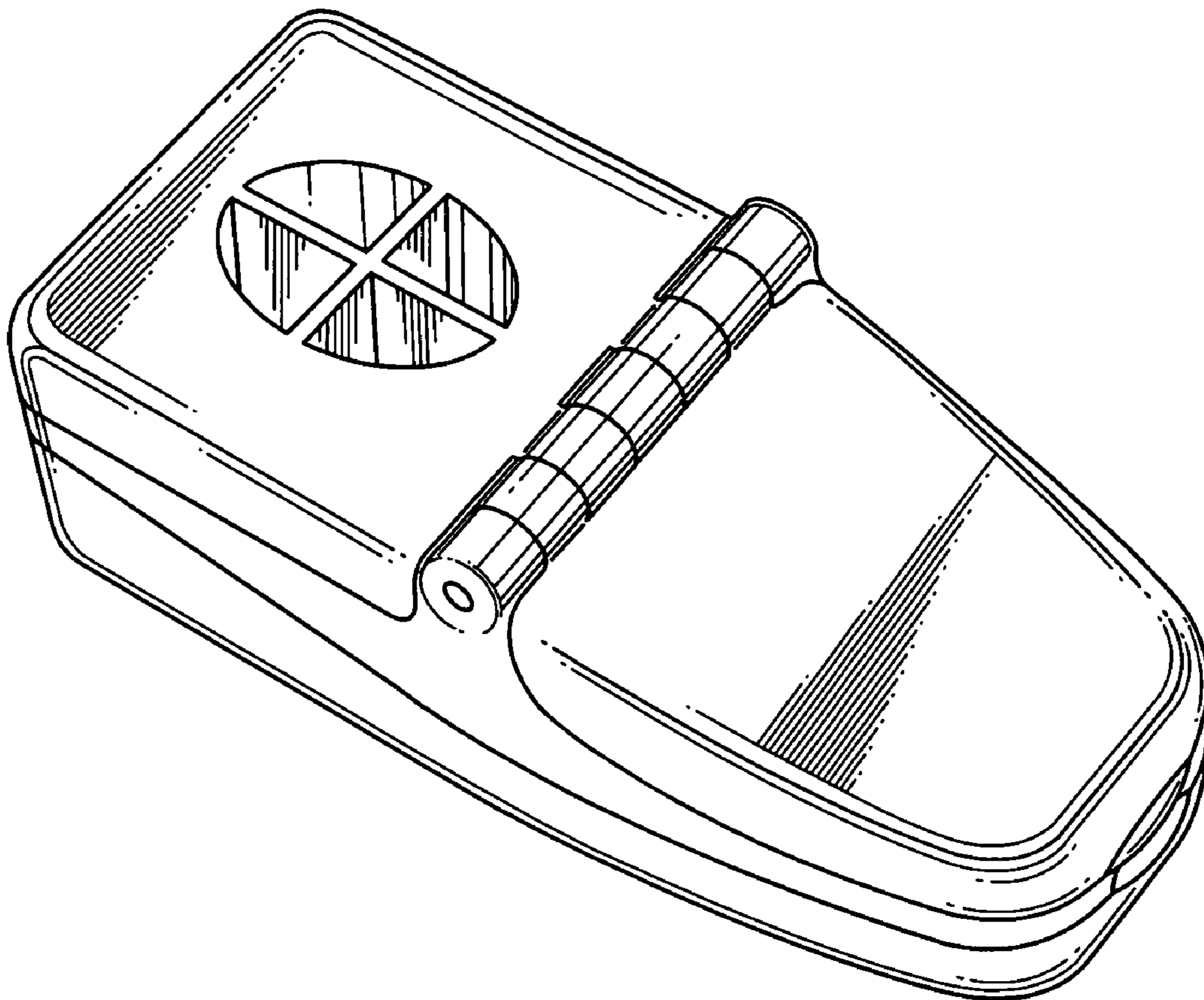
(57) **CLAIM**

The ornamental design for a pill box, as shown and described.

DESCRIPTION

FIG. 1 is a perspective view of a pill box;
FIG. 2 is a left side view of a pill box;
FIG. 3 is a right side view of the pill box;
FIG. 4 is a top view of the pill box;
FIG. 5 is a bottom view of the pill box;
FIG. 6 is a front view of the pill box; and,
FIG. 7 is a rear view of the pill box.

1 Claim, 2 Drawing Sheets



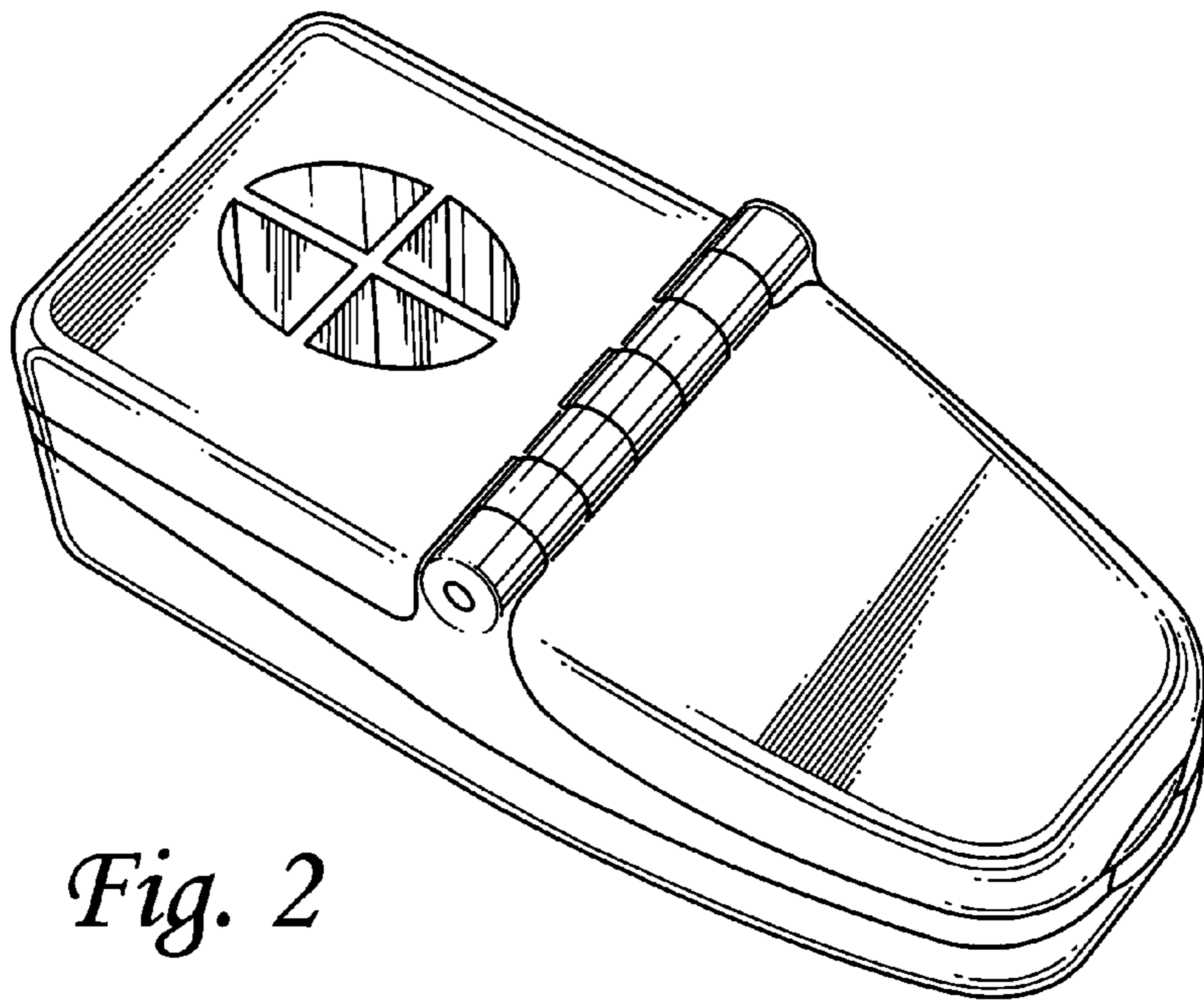


Fig. 1

Fig. 2

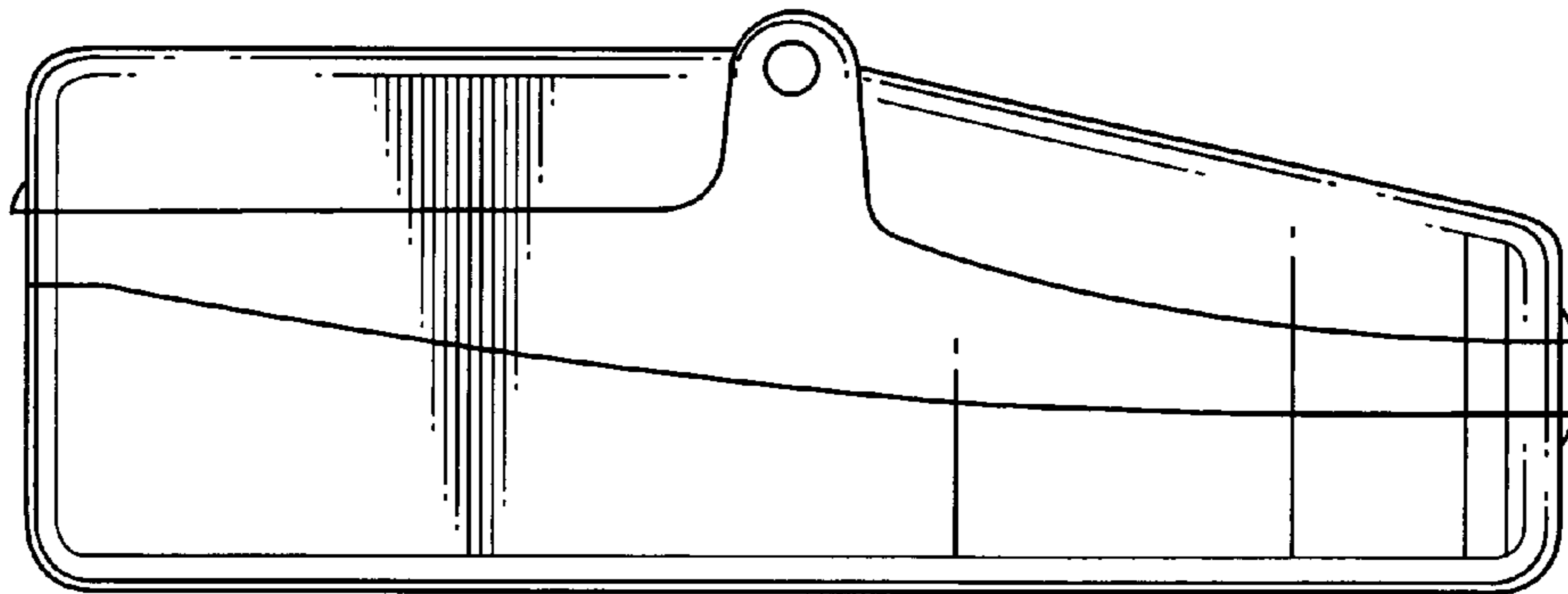
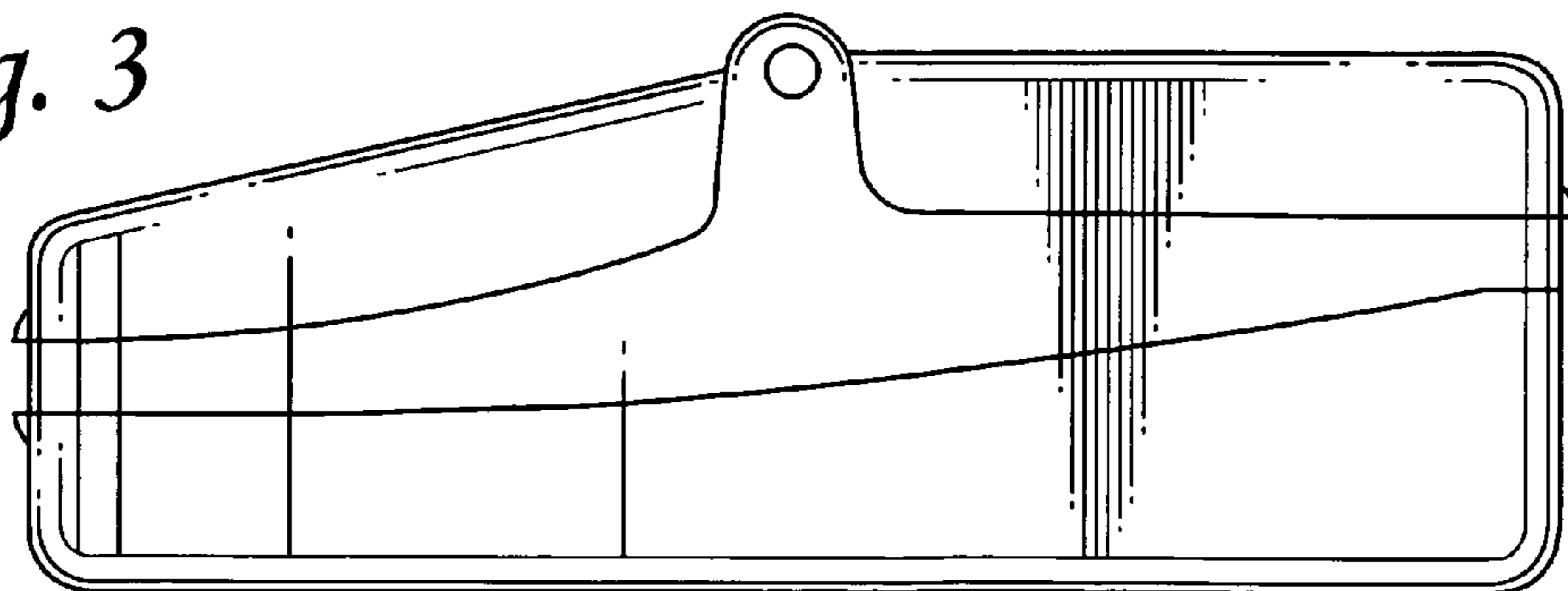


Fig. 3



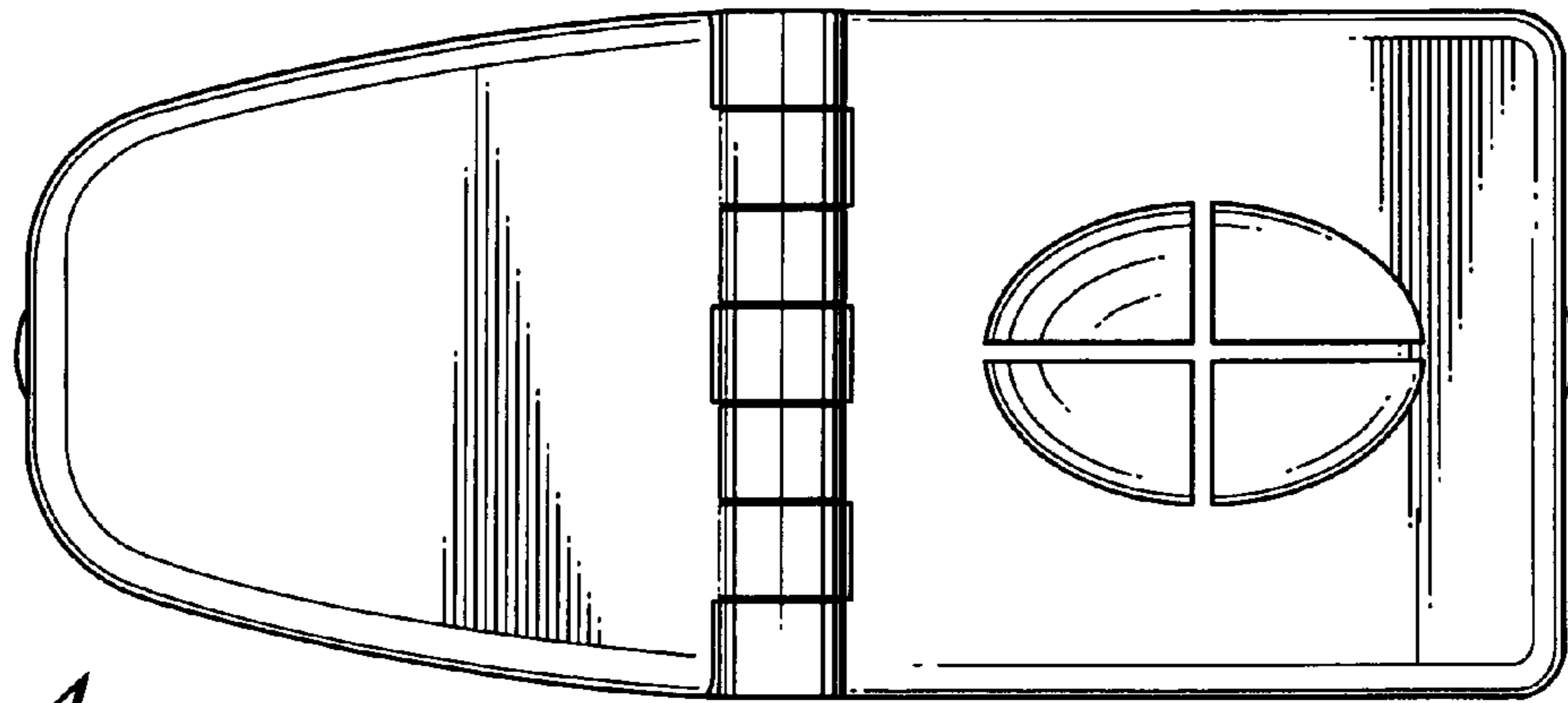


Fig. 4

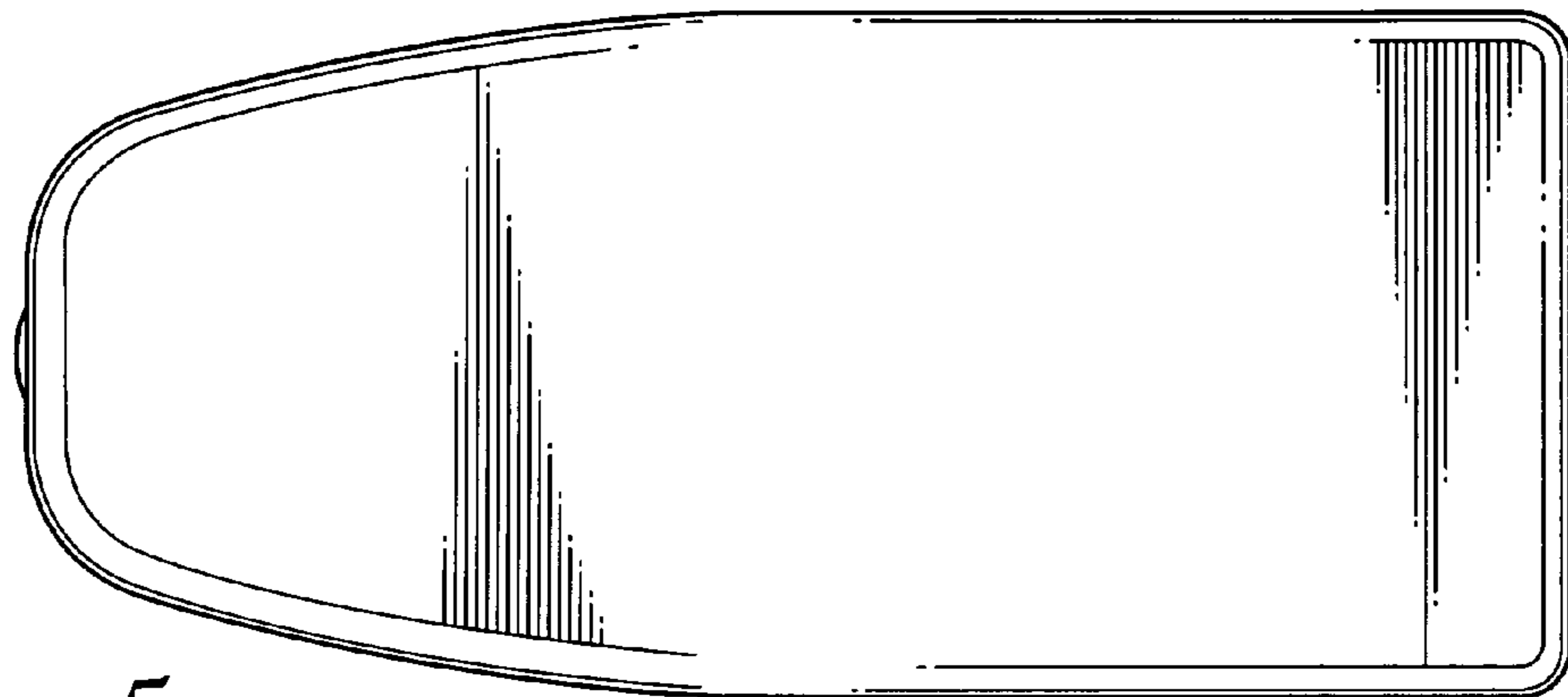


Fig. 5

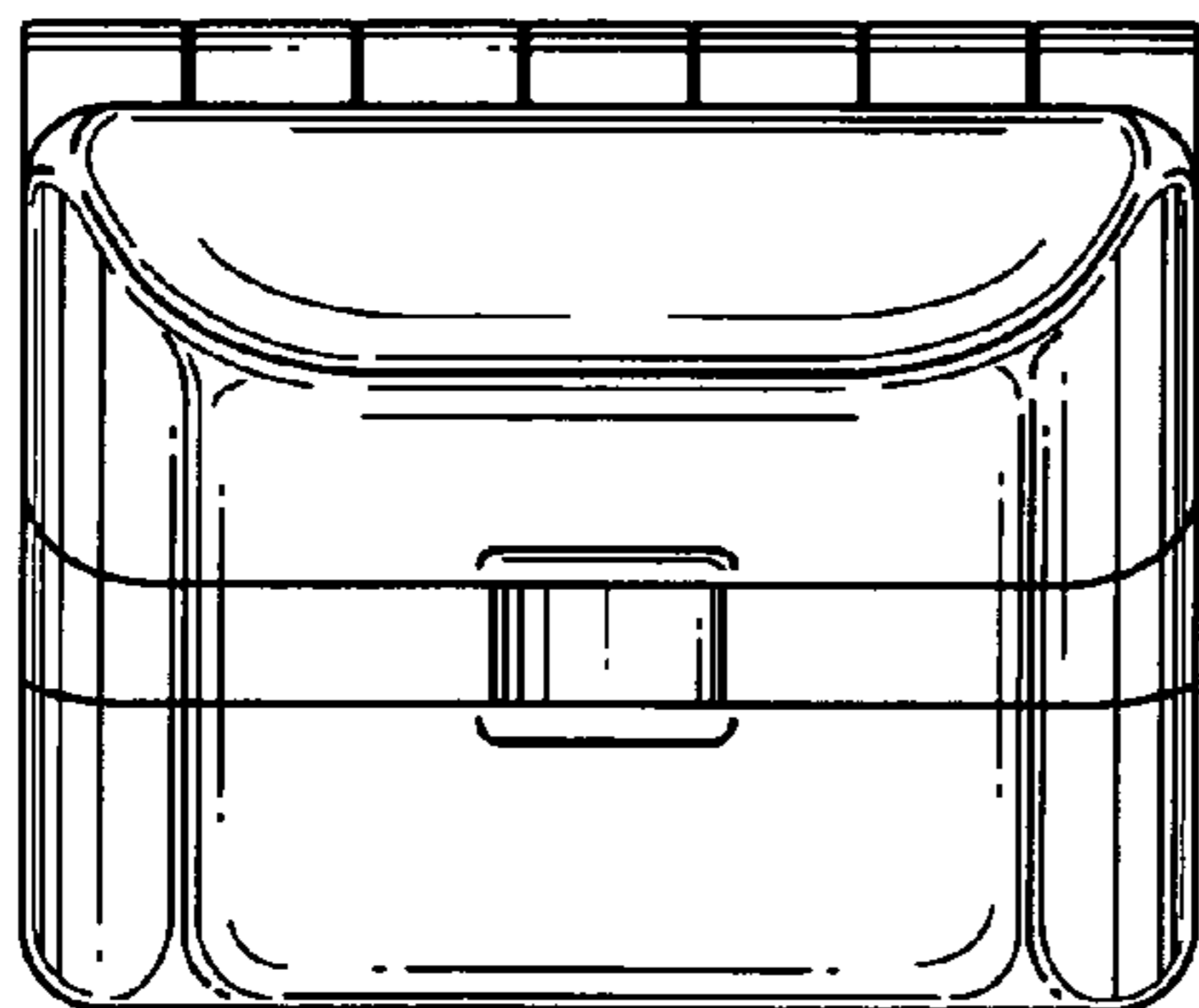


Fig. 6

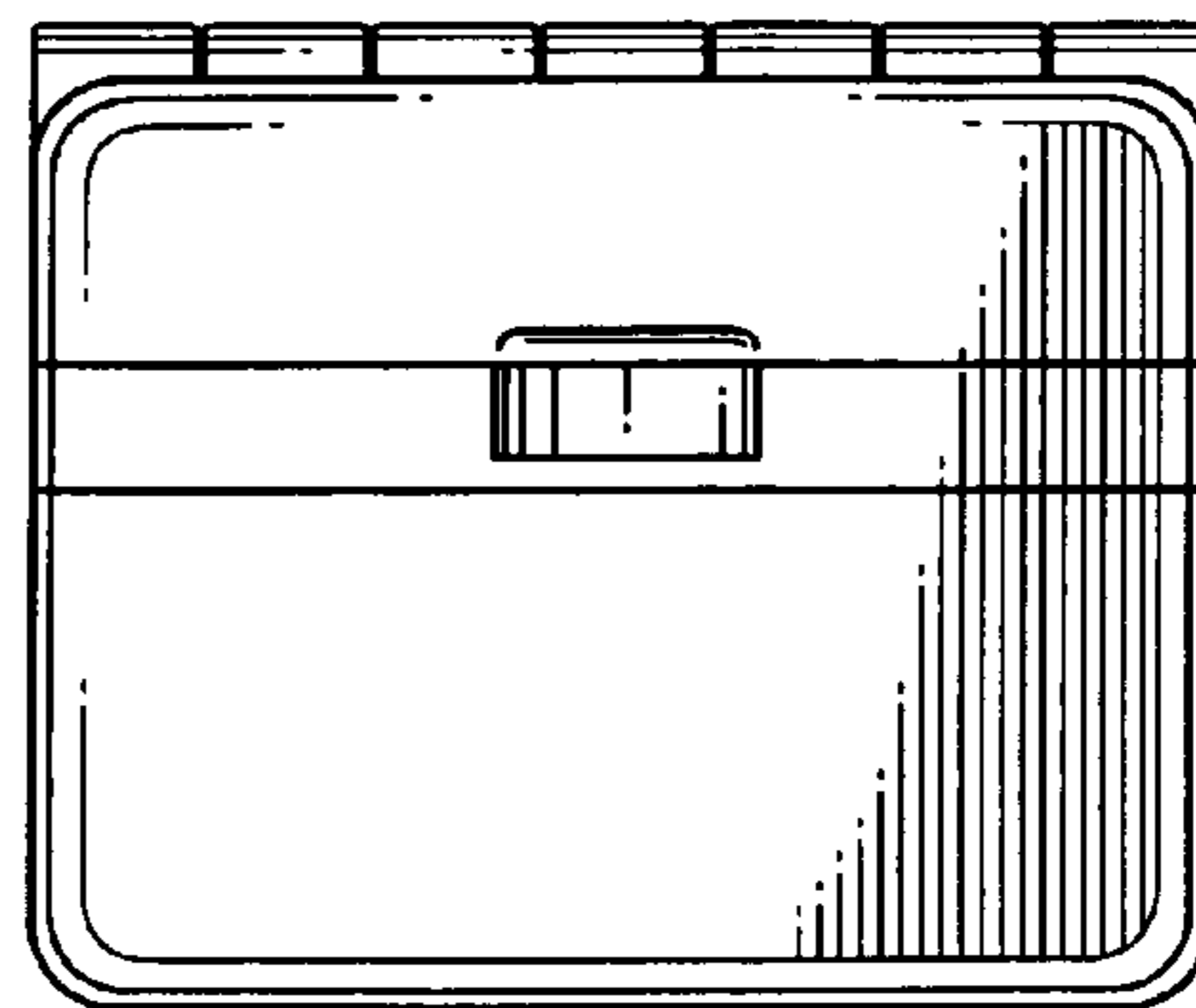


Fig. 7