

US00D664760S

(12) **United States Design Patent**  
**Elder**

(10) **Patent No.:** **US D664,760 S**

(45) **Date of Patent:** **\*\* Aug. 7, 2012**

(54) **UMBRELLA SHELTER**

(76) Inventor: **James Christopher Elder**, Carrollton,  
TX (US)

(\*\*) Term: **14 Years**

(21) Appl. No.: **29/362,073**

(22) Filed: **May 19, 2010**

**Related U.S. Application Data**

(63) Continuation of application No. 29/338,325, filed on  
Jun. 9, 2009, now Pat. No. Des. 623,844.

(51) **LOC (9) Cl.** ..... **03-03**

(52) **U.S. Cl.** ..... **D3/5**

(58) **Field of Classification Search** ..... D3/5, 10,  
D3/12, 13, 16, 17; 135/15.1, 23, 20.1, 20.3,  
135/25.31, 33.7, 39, 40, 25.01, 21, 16, 44,  
135/33.2

See application file for complete search history.

(56) **References Cited**

**U.S. PATENT DOCUMENTS**

1,581,843 A	4/1926	Little, Sr.
1,774,909 A	9/1930	Wells
2,024,105 A	12/1935	Landman
2,934,076 A	4/1960	Fulke
3,456,661 A	7/1969	Farley
4,086,931 A	5/1978	Hall
4,449,542 A	5/1984	McSwain et al.
4,499,133 A	2/1985	Prince
D294,538 S	3/1988	De Marr
4,821,353 A	4/1989	Neri
4,958,652 A	9/1990	Maya
5,551,464 A	9/1996	Kelly
5,692,720 A	12/1997	Griggs
D390,696 S	2/1998	Bauman
5,806,547 A	9/1998	Derlinga
5,979,434 A	11/1999	Bilanzich
D419,759 S	2/2000	Goudarzi
6,039,063 A	3/2000	Lin et al.
6,085,768 A	7/2000	Arlotta

6,138,700 A	10/2000	Stoddart
6,223,758 B1 *	5/2001	Feldman ..... 135/33.2
D453,415 S *	2/2002	You ..... D3/5
6,453,922 B1	9/2002	Dufort
6,698,440 B2	3/2004	Beyer et al.
6,866,053 B2	3/2005	You
D521,229 S	5/2006	Mariano

(Continued)

**FOREIGN PATENT DOCUMENTS**

JP 2000093219 A 4/2000

(Continued)

**OTHER PUBLICATIONS**

International Search Report mailed Jan. 4, 2010 in International  
Application No. PCT/US2009/046607.

*Primary Examiner* — Doris Clark

(74) *Attorney, Agent, or Firm* — Kenneth H. Ohriner;  
Perkins Coie LLP

(57) **CLAIM**

The ornamental design for an umbrella shelter, as shown and  
described.

**DESCRIPTION**

FIG. 1 is a front, bottom and right side perspective view  
showing my new design.

FIG. 2 is a front view.

FIG. 3 is a rear view.

FIG. 4 is a left side view.

FIG. 5 is a right side view.

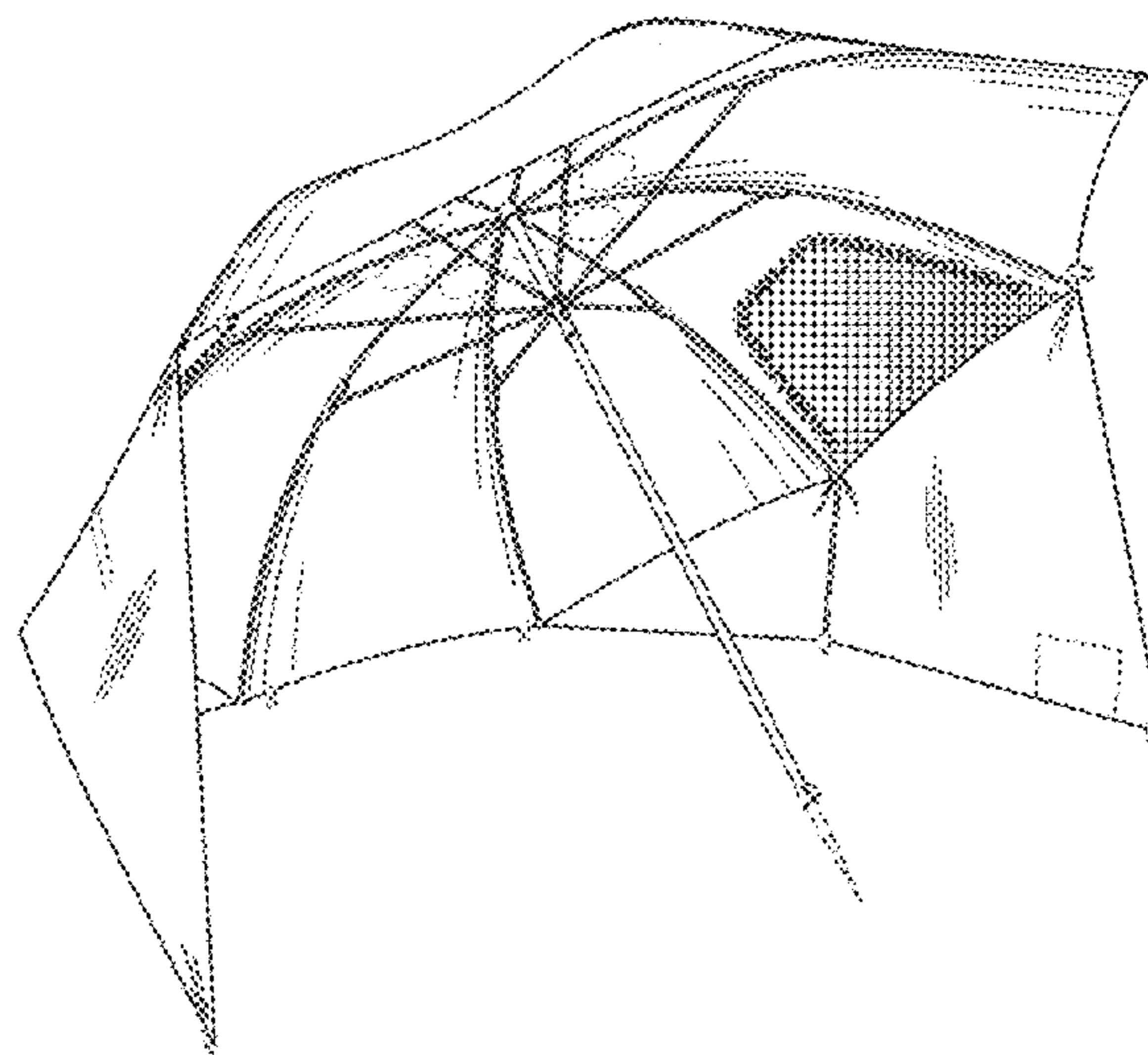
FIG. 6 is a top view; and,

FIG. 7 is a bottom view.

The shaded areas in FIGS. 1, 2 and 7 are screen mesh in dotted  
lines and are not claimed. The U-shaped features shown in  
dotted lines in the Figures are zippers and are not claimed.

The broken lines are for illustrative purposes only and form  
no part of the claimed design.

**1 Claim, 7 Drawing Sheets**



# US D664,760 S

Page 2

---

## U.S. PATENT DOCUMENTS

7,240,683 B2 7/2007 Zutich  
7,316,239 B2 1/2008 Yang  
7,493,908 B2 2/2009 Carter et al.  
2004/0020522 A1 2/2004 James  
2005/0011134 A1 1/2005 Boltan et al.

2009/0007947 A1 1/2009 Spangenberg  
2009/0301531 A1 12/2009 Elder

## FOREIGN PATENT DOCUMENTS

JP 2003-033211 A 2/2003

\* cited by examiner

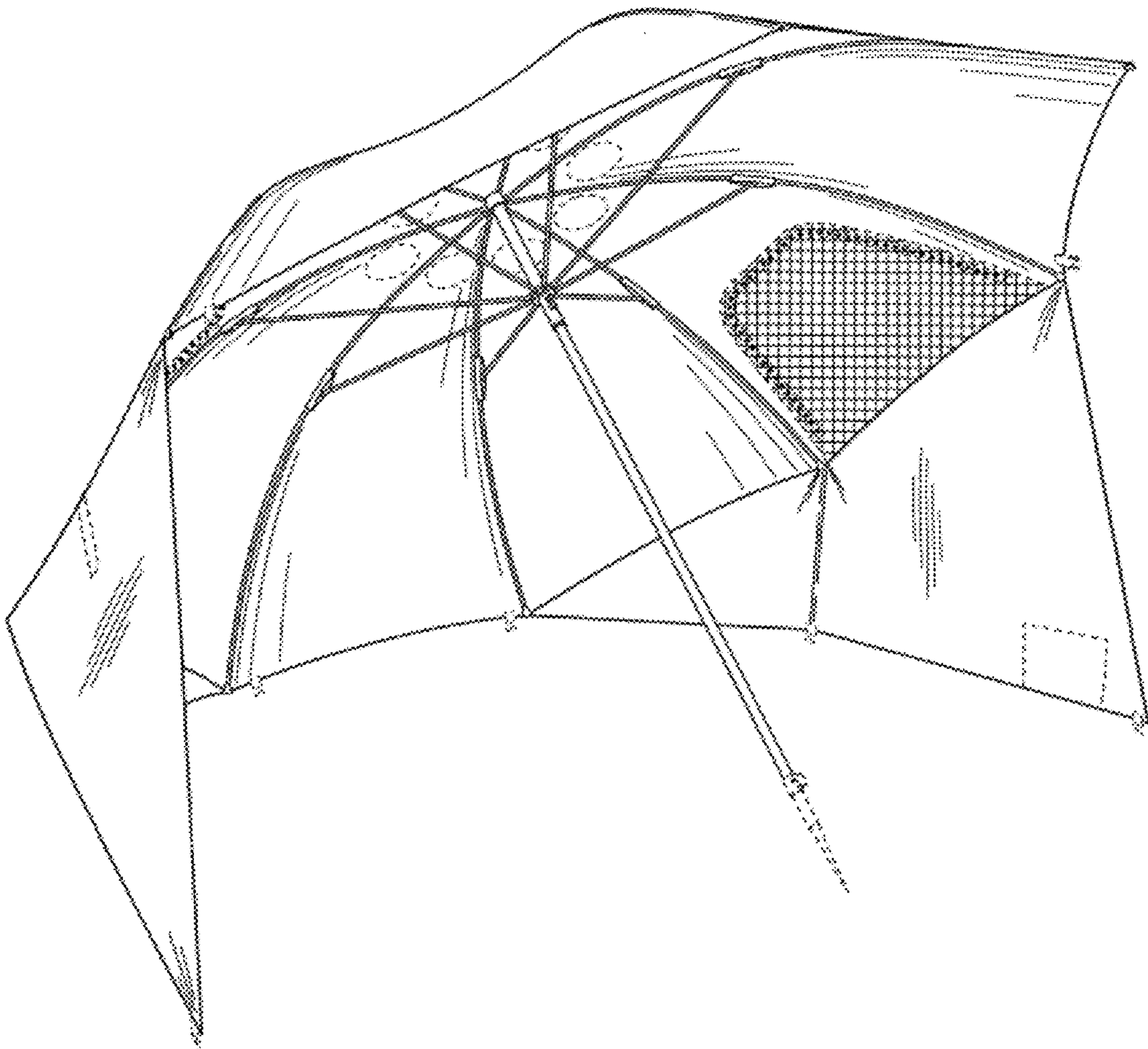


FIG. 1



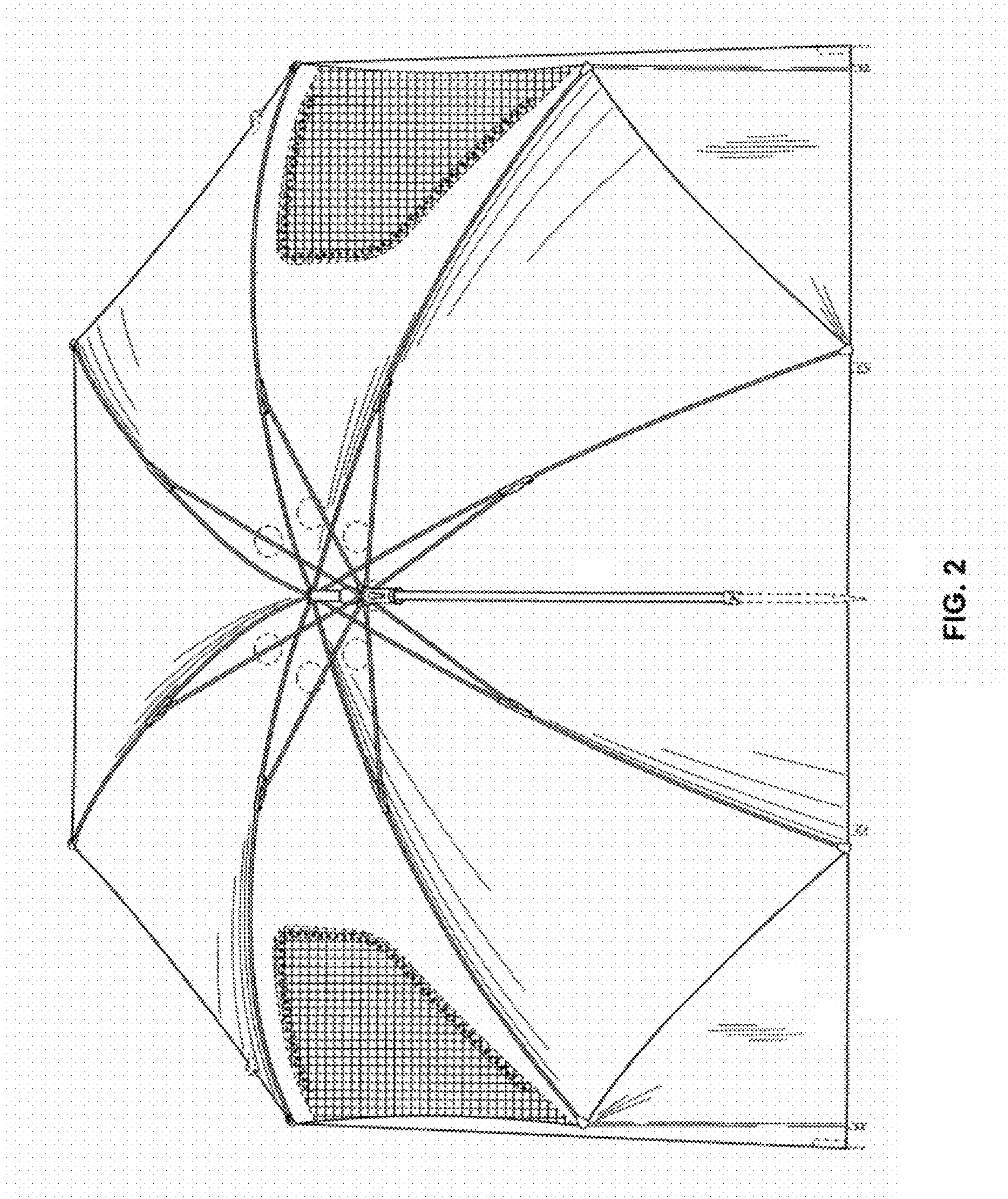
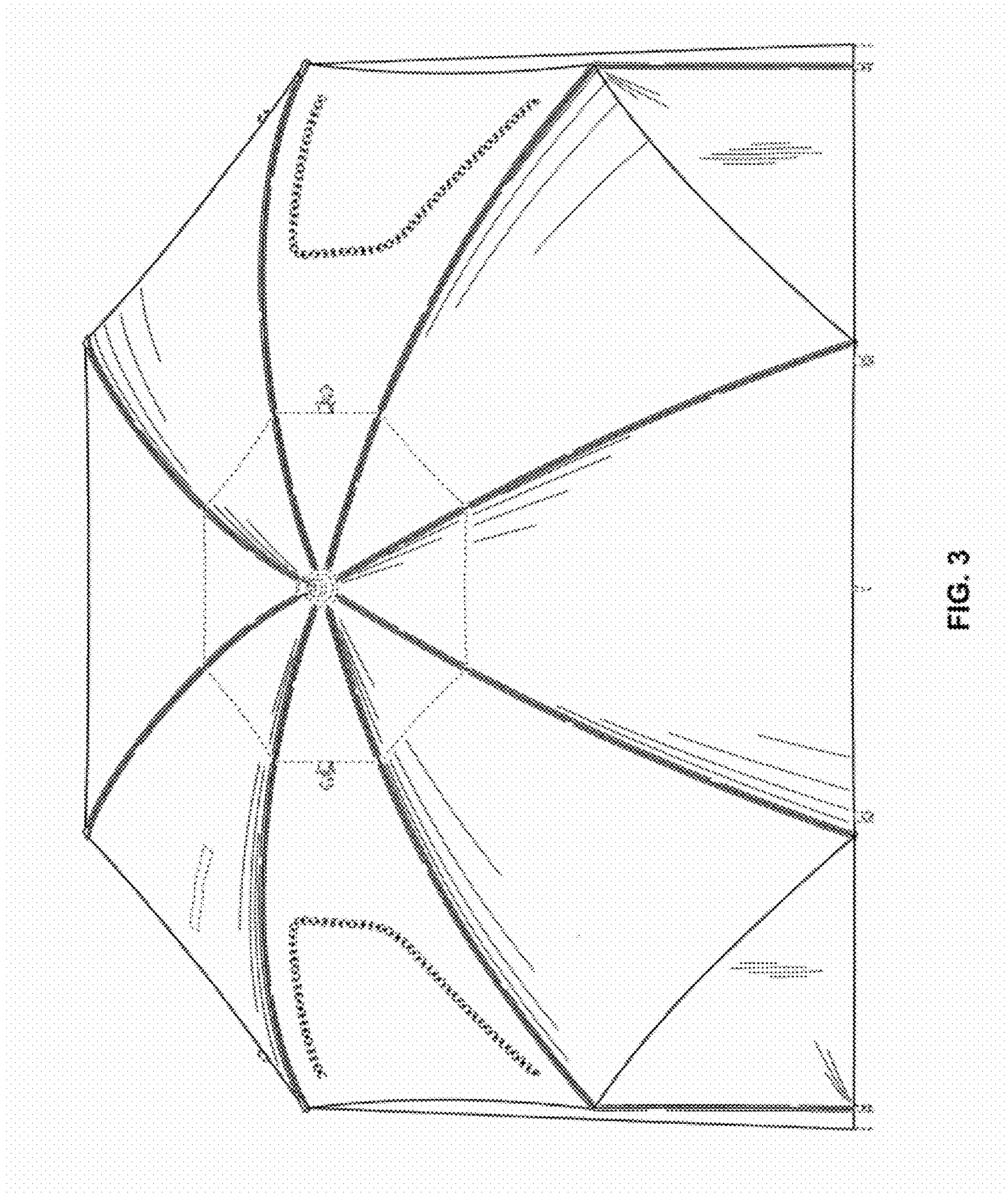


FIG. 2





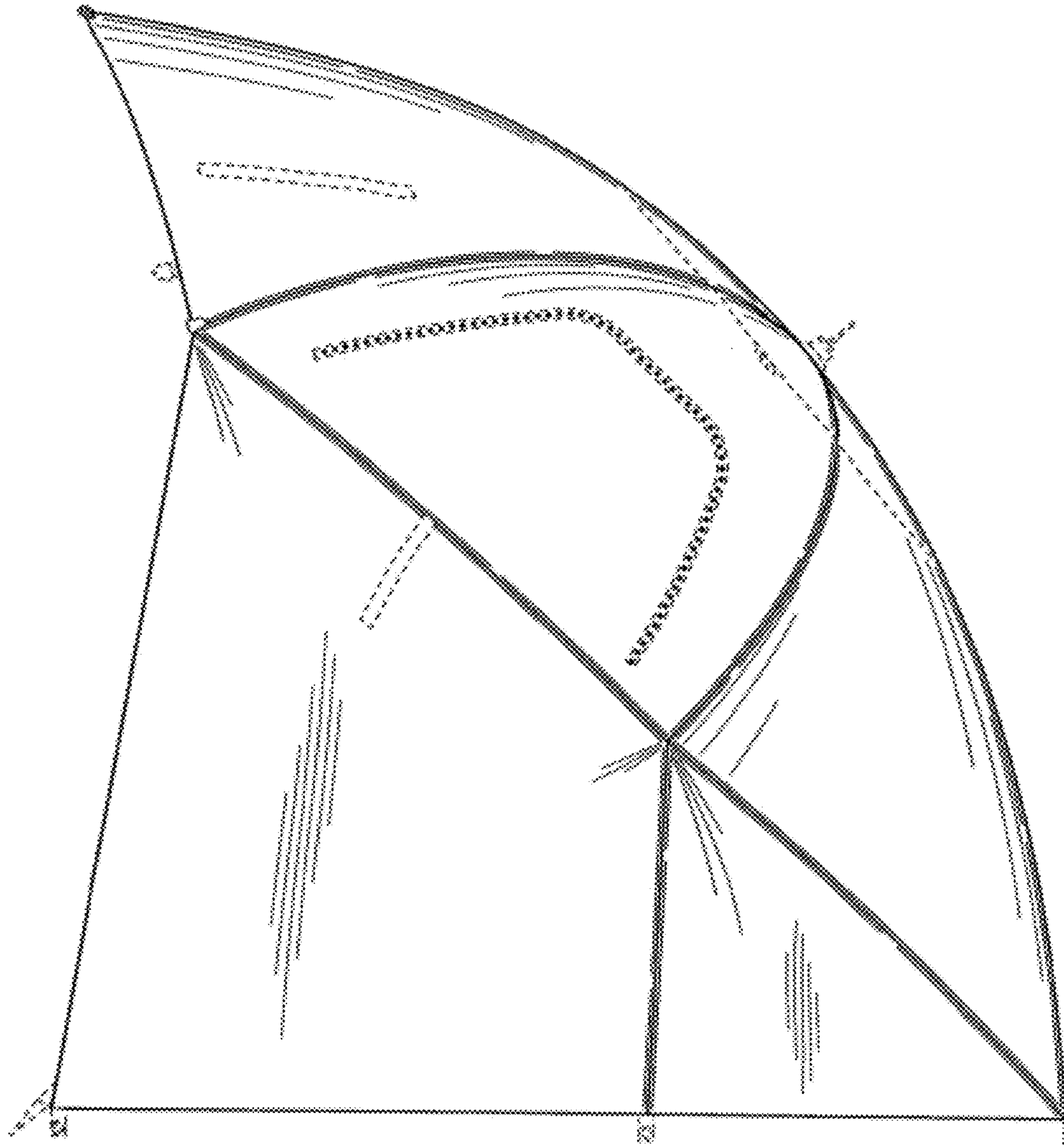


FIG. 4



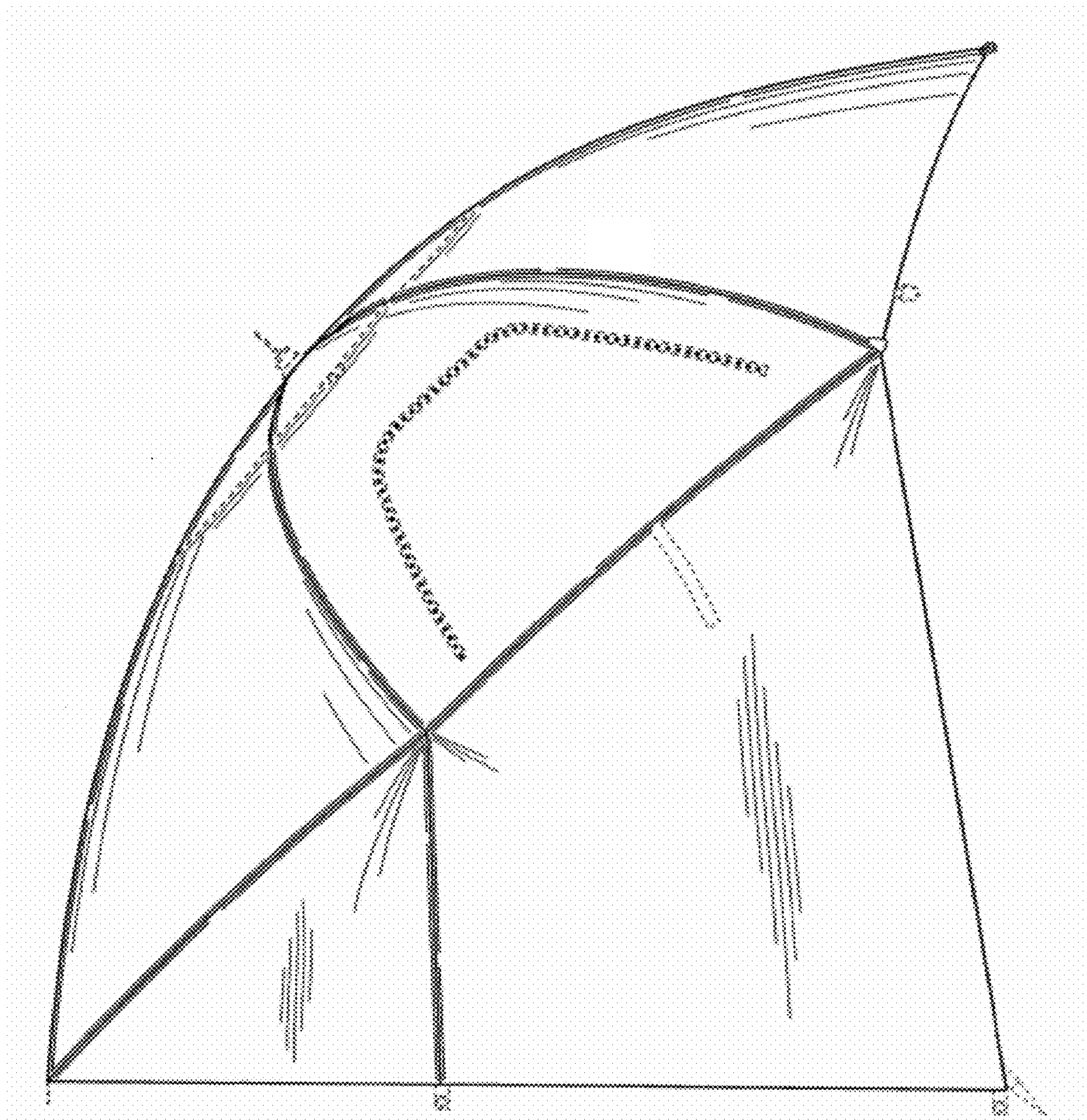


FIG. 5

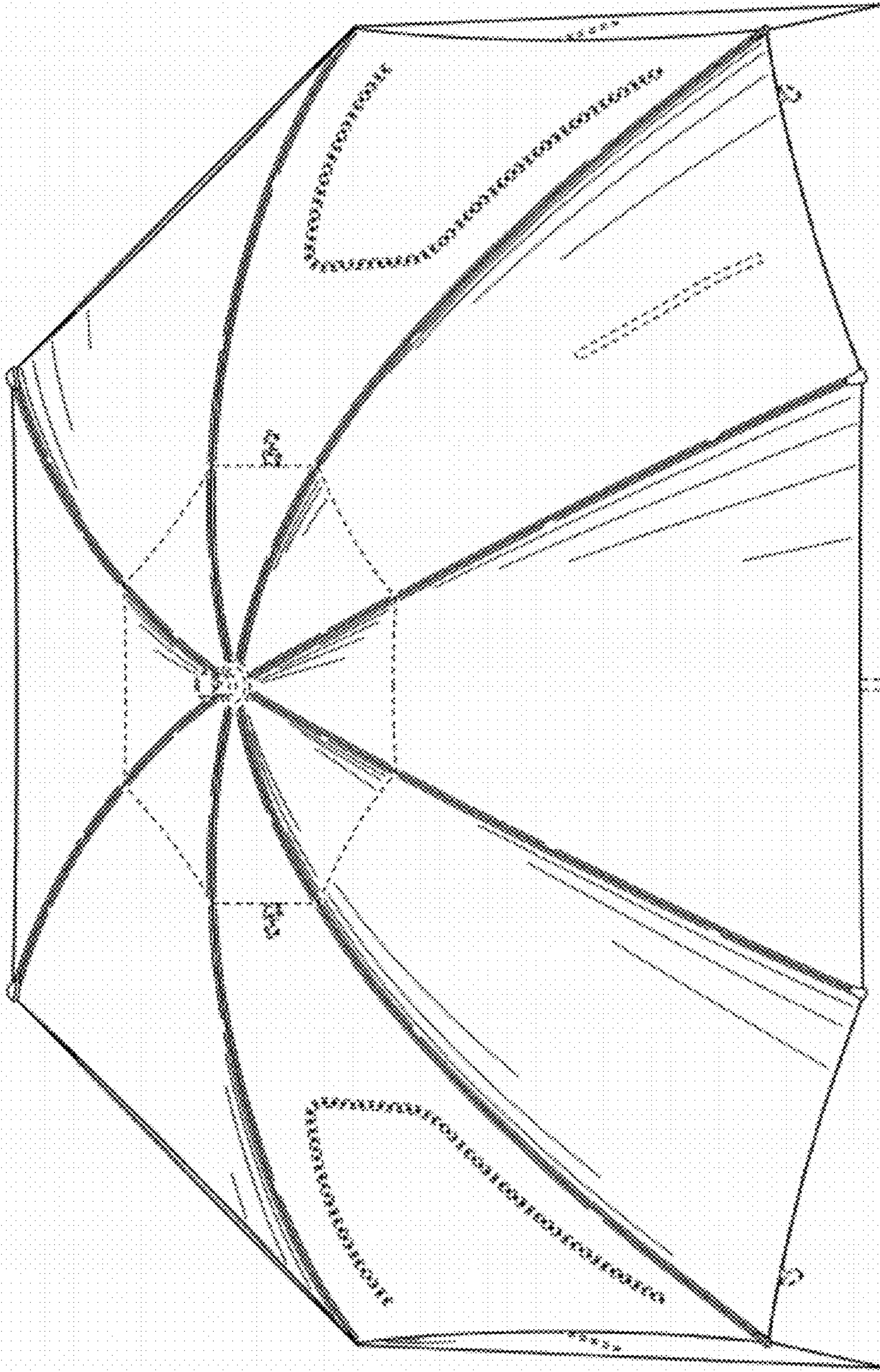


FIG. 6



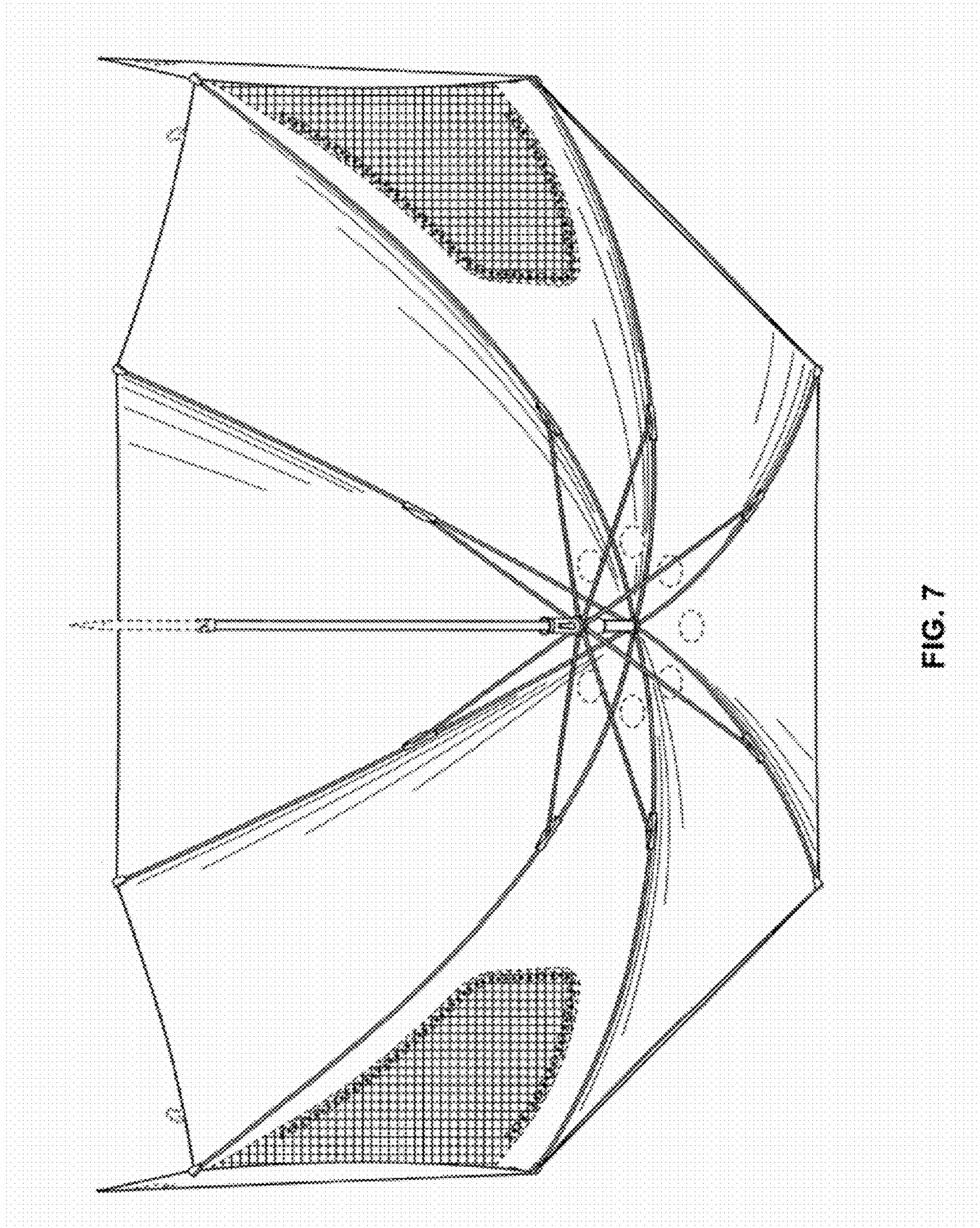


FIG. 7