

US00D664749S

(12) **United States Design Patent**  
**Joseph**

(10) **Patent No.:** **US D664,749 S**

(45) **Date of Patent:** **\*\* Aug. 7, 2012**

(54) **ACTUATOR BUTTON FOR FOOTWEAR OR THE LIKE**

(75) Inventor: **John Joseph**, Portland, OR (US)

(73) Assignee: **Columbia Sportswear North America, Inc.**, Portland, OR (US)

(\*\*) Term: **14 Years**

(21) Appl. No.: **29/344,660**

(22) Filed: **Oct. 1, 2009**

(51) **LOC (9) Cl.** ..... **02-04**

(52) **U.S. Cl.** ..... **D2/946**

(58) **Field of Classification Search** ..... D2/902,  
D2/907, 946, 976, 977; 36/136

See application file for complete search history.

(56) **References Cited**

U.S. PATENT DOCUMENTS

5,074,765	A *	12/1991	Pekar	417/480
D323,419	S *	1/1992	Miller et al.	D2/975
D325,813	S *	5/1992	Kittle	D2/970
D329,733	S *	9/1992	Miller et al.	D2/975
D340,346	S *	10/1993	Phillips	D2/946
D341,189	S *	11/1993	Legassie et al.	D23/249
D386,558	S *	11/1997	Rietkerk	D23/231
D391,058	S *	2/1998	Cooper	D2/972
D391,059	S *	2/1998	Lozano	D2/972
D394,140	S *	5/1998	Loverin	D2/946
D536,515	S *	2/2007	Koyess et al.	D2/946

\* cited by examiner

*Primary Examiner* — Stella Reid

*Assistant Examiner* — Keli L Hill

(74) *Attorney, Agent, or Firm* — Schwabe, Williamson & Wyatt, P.C.

(57) **CLAIM**

The ornamental design for an actuator button for footwear or the like, as shown and described.

**DESCRIPTION**

FIG. 1 is a front elevation view of an actuator button for footwear or the like, embodying my new design;

FIG. 2 is a cross-section view thereof, taken along line 2-2 in FIG. 1;

FIG. 3 is a left side elevation view thereof;

FIG. 4 is a right side elevation view thereof;

FIG. 5 is a top plan view thereof;

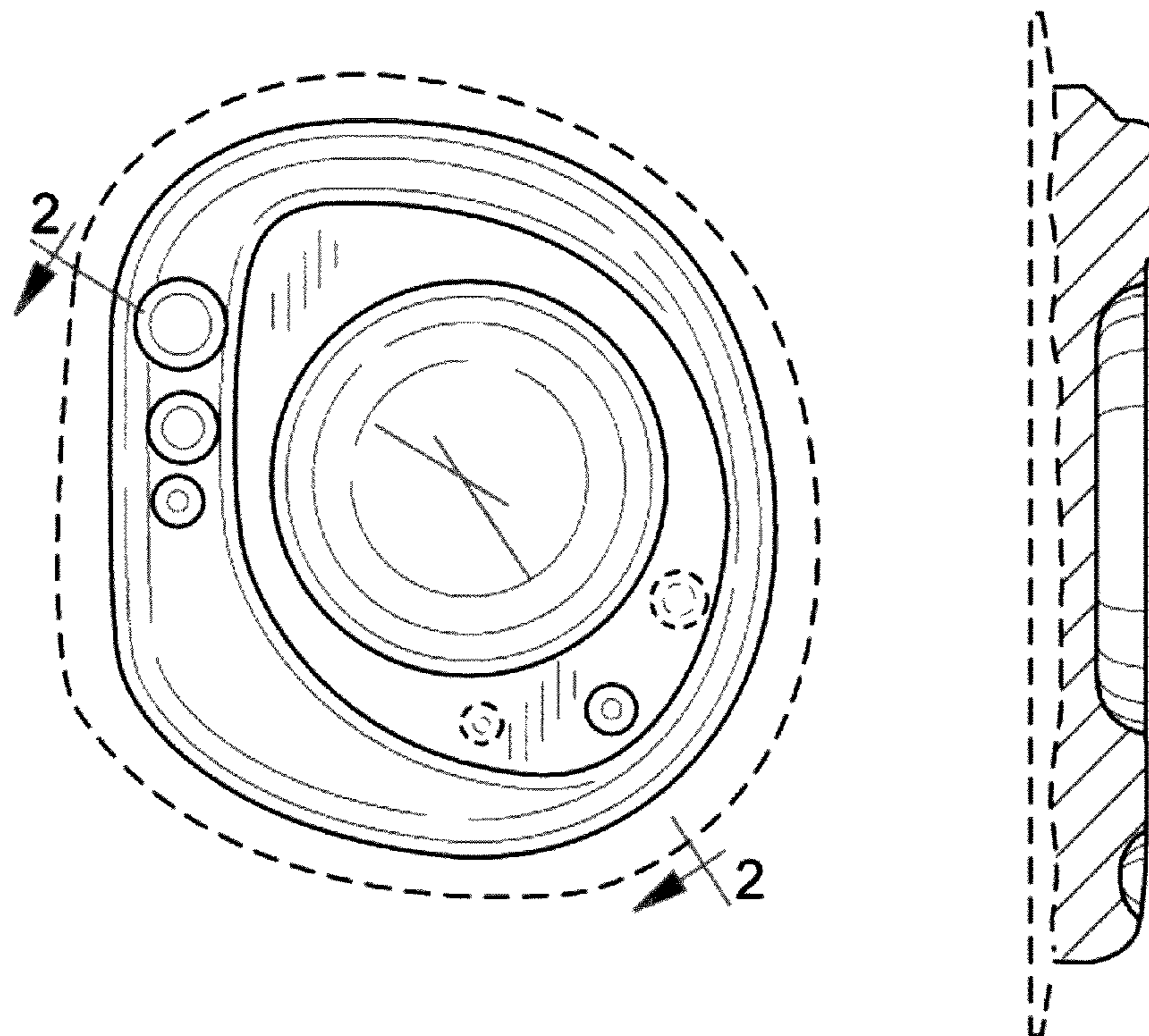
FIG. 6 is a bottom plan view thereof;

FIG. 7 is a front view thereof, shown in an environment of use; and,

FIG. 8 is an alternate front view thereof, shown in an environment of use.

The broken line showings of the footwear in FIGS. 7 and 8 are included for the purpose of illustrating environment of the Actuator Button, while all other broken lines are included for the purpose of illustrating the unclaimed portions of the Actuator Button; the broken lines form no part of the claimed design.

**1 Claim, 2 Drawing Sheets**



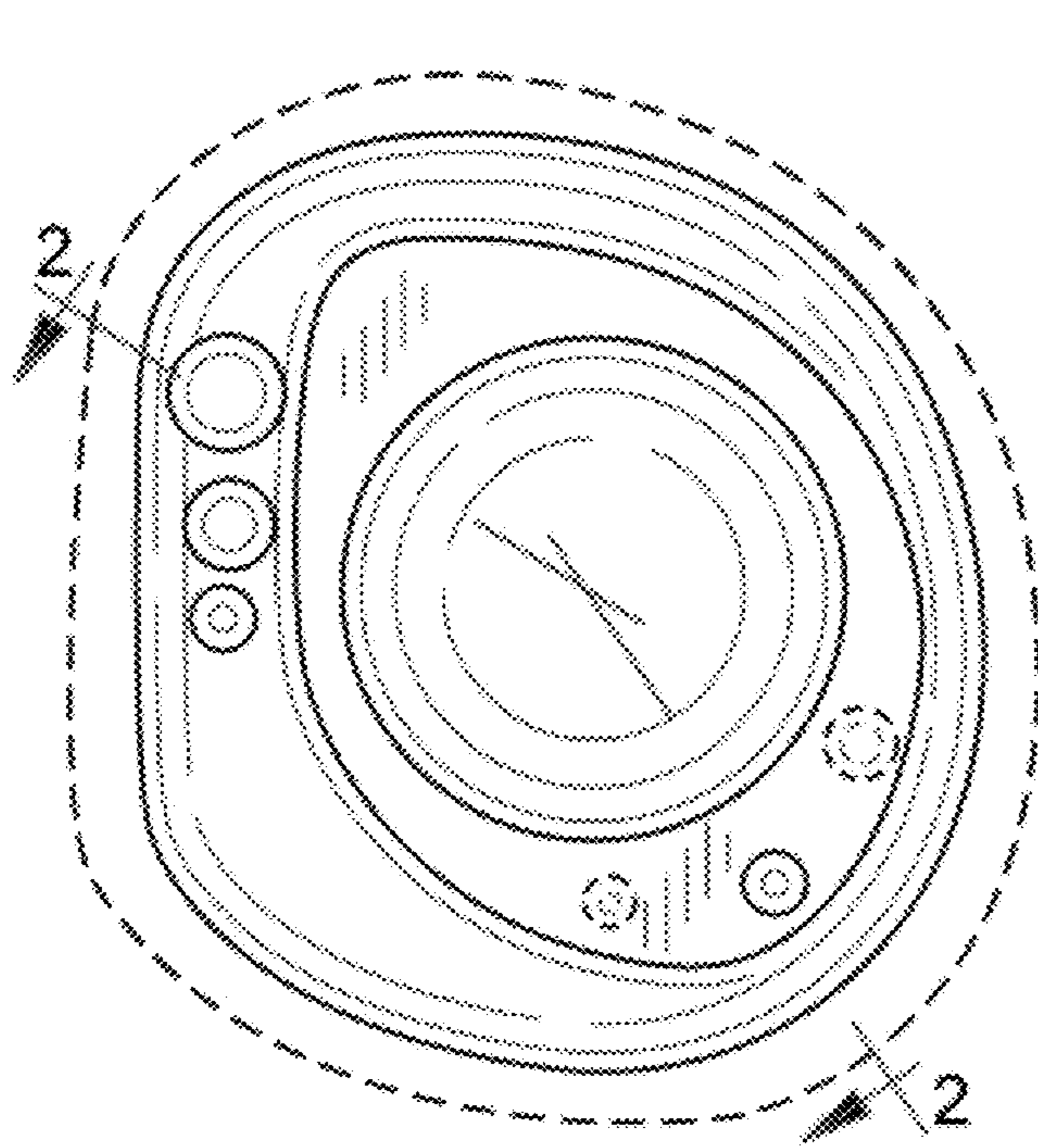


FIG. 1

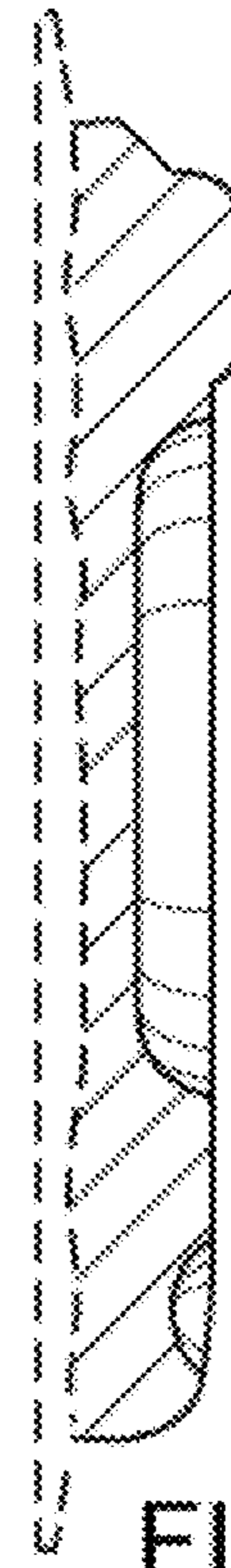


FIG. 2

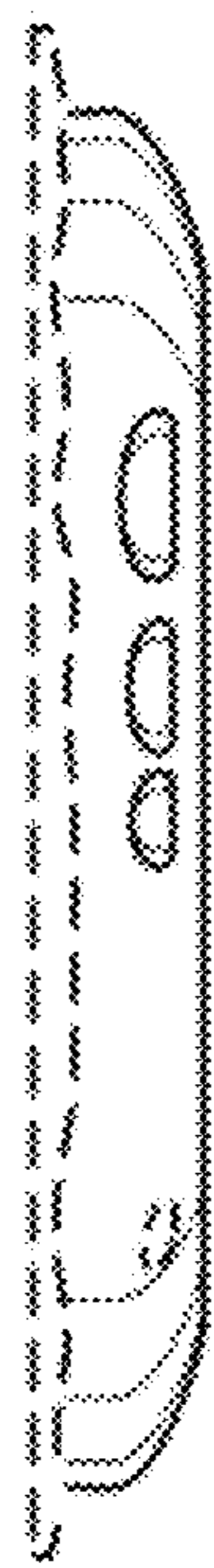


FIG. 3

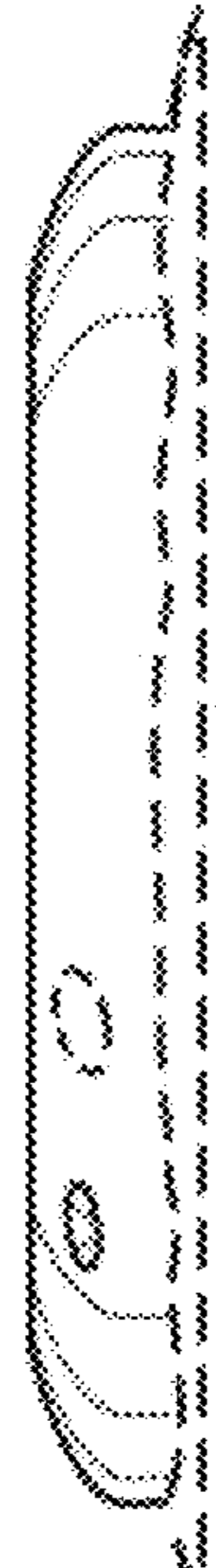


FIG. 4

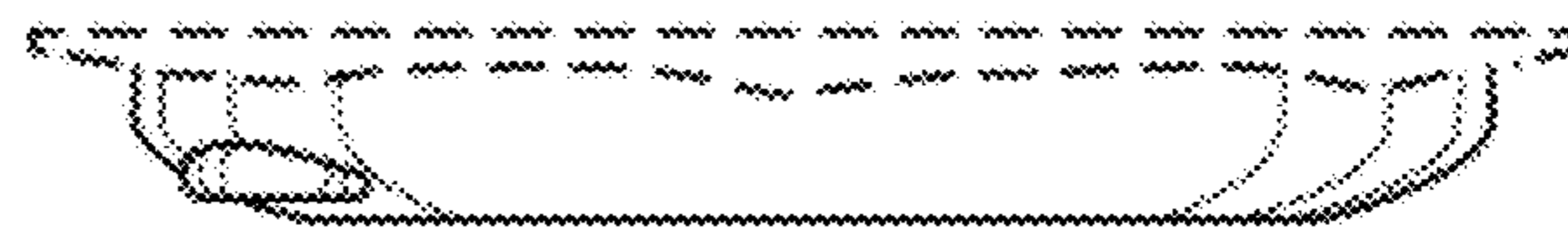


FIG. 5

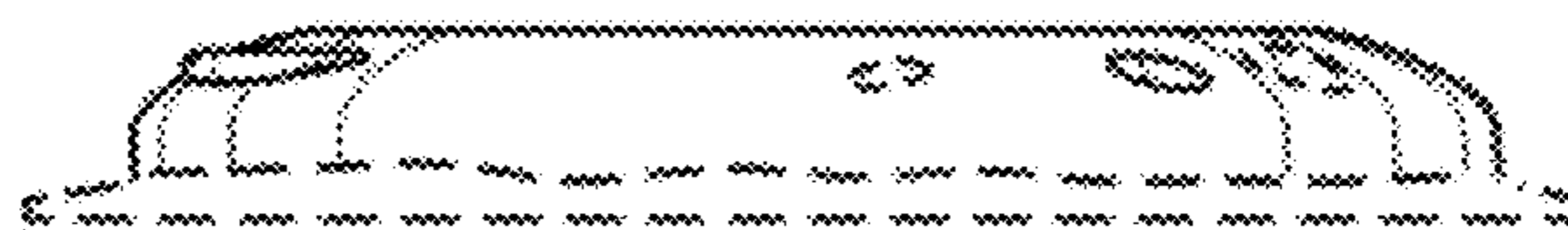


FIG. 6

FIG. 7

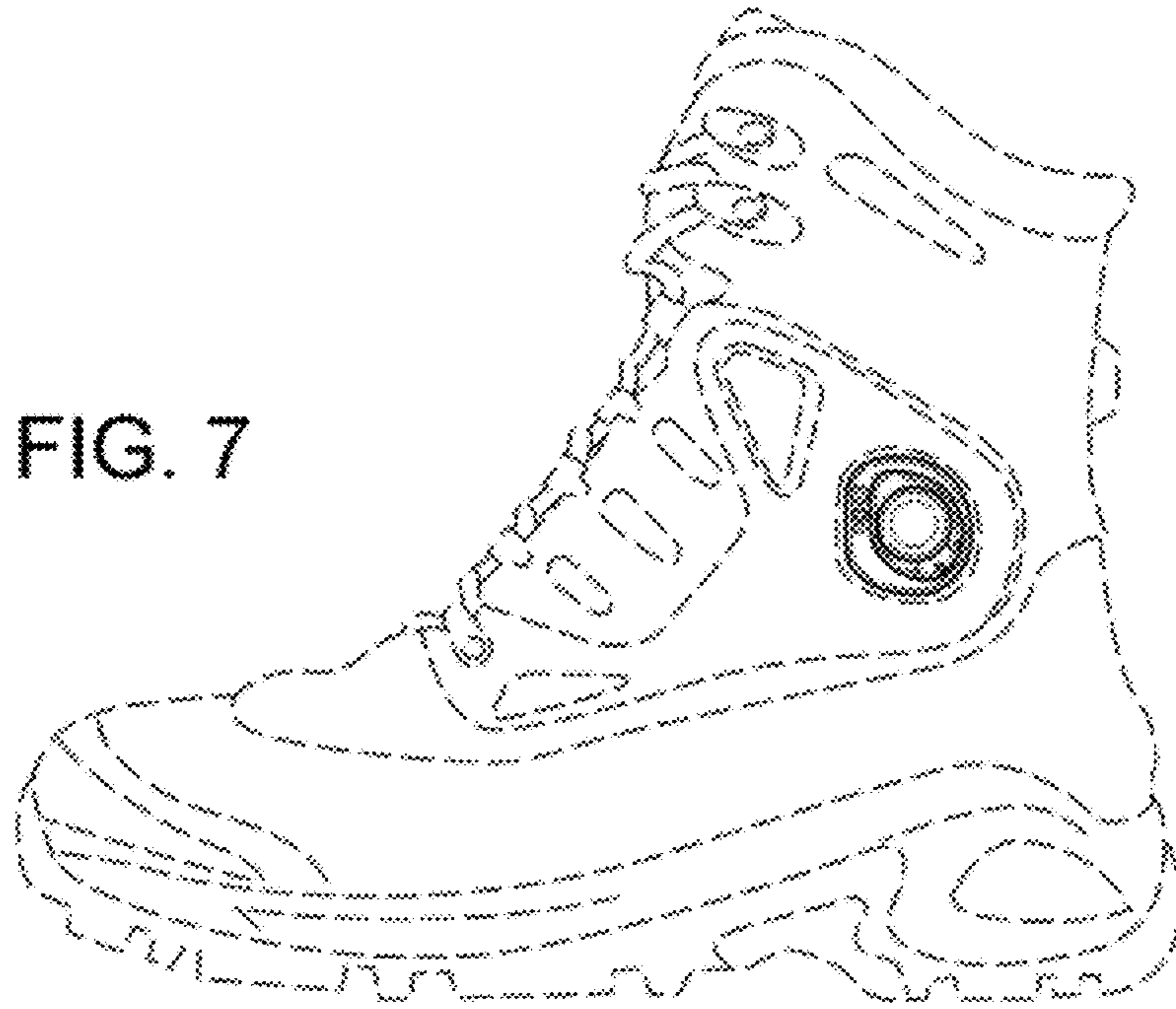


FIG. 8