



US00D664743S

(12) **United States Design Patent**
Kanellakis

(10) **Patent No.:** **US D664,743 S**

(45) **Date of Patent:** **** Aug. 7, 2012**

(54) **VISOR**

(76) **Inventor:** **Stamatios Kanellakis**, Brooklyn, NY
(US)

(**) **Term:** **14 Years**

(21) **Appl. No.:** **29/373,973**

(22) **Filed:** **Jun. 16, 2011**

(51) **LOC (9) Cl.** **02-03**

(52) **U.S. Cl.** **D2/893**; D29/122

(58) **Field of Classification Search** D2/865,
D2/866, 875, 876, 877, 878, 879, 880, 881,
D2/882, 883, 884, 886, 888, 891, 892, 893;
D29/102, 103, 104, 105, 106, 107, 109, 110,
D29/122; 2/9, 10, 12, 171, 171.01, 171.3,
2/173.5, 175.1, 175.4, 183, 195.1, 195.3,
2/200.1, 209.12, 209.13

See application file for complete search history.

(56) **References Cited**

U.S. PATENT DOCUMENTS

1,175,167	A	*	3/1916	Moscherrosch	2/195.1
D124,158	S	*	12/1940	Schapiro	D2/888
D136,499	S	*	10/1943	Cookman	D2/882
D206,648	S	*	1/1967	Webb	D29/104
D224,821	S	*	9/1972	Crowder	D29/109
3,837,005	A	*	9/1974	Persson	2/10
D377,708	S	*	2/1997	Bay, Jr.	D2/893
6,029,271	A	*	2/2000	Banuchi	2/9
D424,788	S	*	5/2000	Davis	D2/882

D441,938	S	*	5/2001	Davis	D2/882
D452,768	S	*	1/2002	Park	D2/882
D477,706	S	*	7/2003	Kobayashi	D2/878
D488,293	S	*	4/2004	Norway, Jr.	D2/882
D588,785	S	*	3/2009	Cho	D2/876
D596,381	S	*	7/2009	Pharis et al.	D2/876

FOREIGN PATENT DOCUMENTS

GB 2069031 * 1/1998

* cited by examiner

Primary Examiner — Karen E Eldridge Powers

(74) *Attorney, Agent, or Firm* — Ward & Zinna, LLC

(57) **CLAIM**

The ornamental design for a visor, as shown and described.

DESCRIPTION

FIG. 1 is a perspective view of a visor according to the present invention;

FIG. 2 is a front view thereof;

FIG. 3 is a rear view thereof;

FIG. 4 is a side view thereof, the other side being a mirror image thereof;

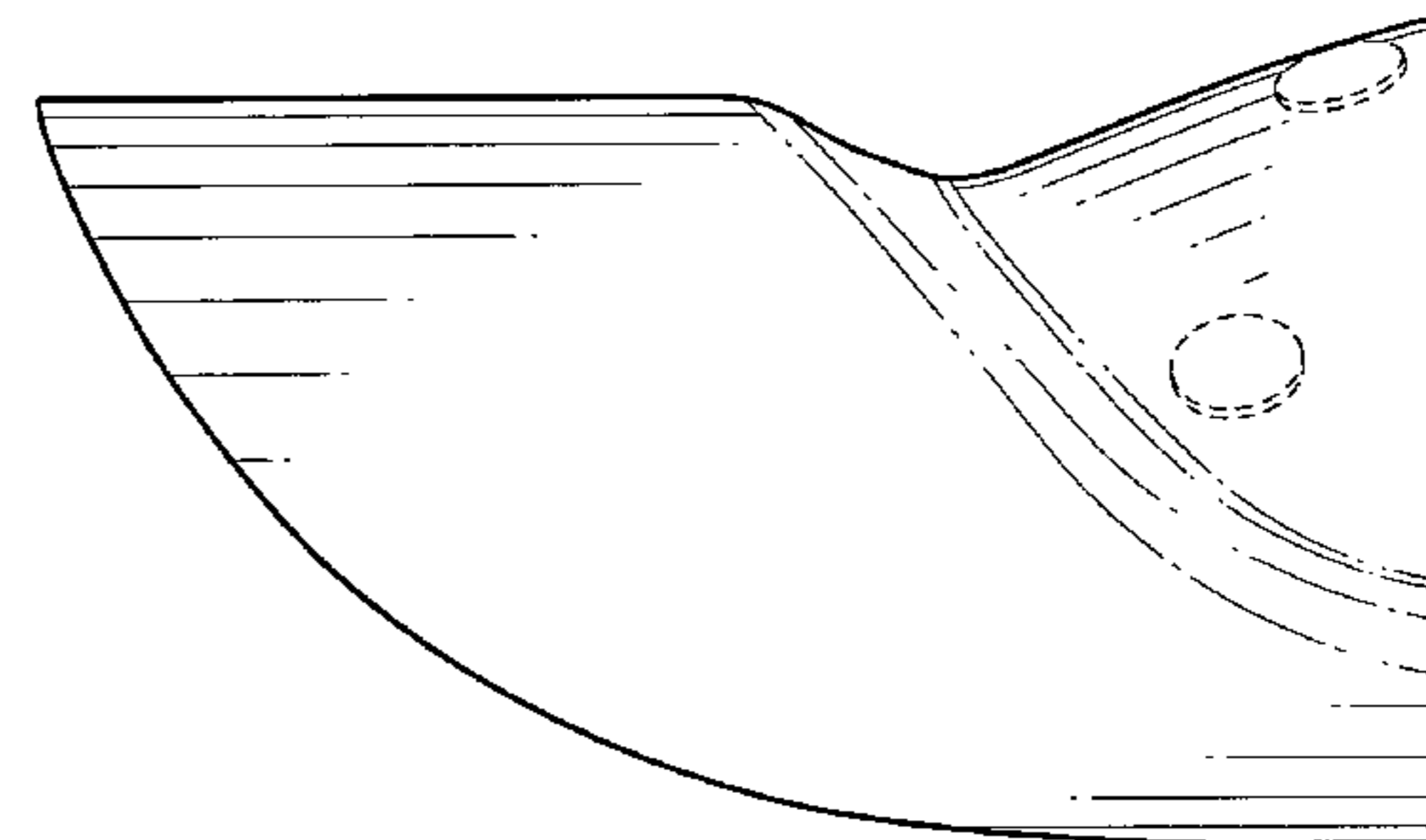
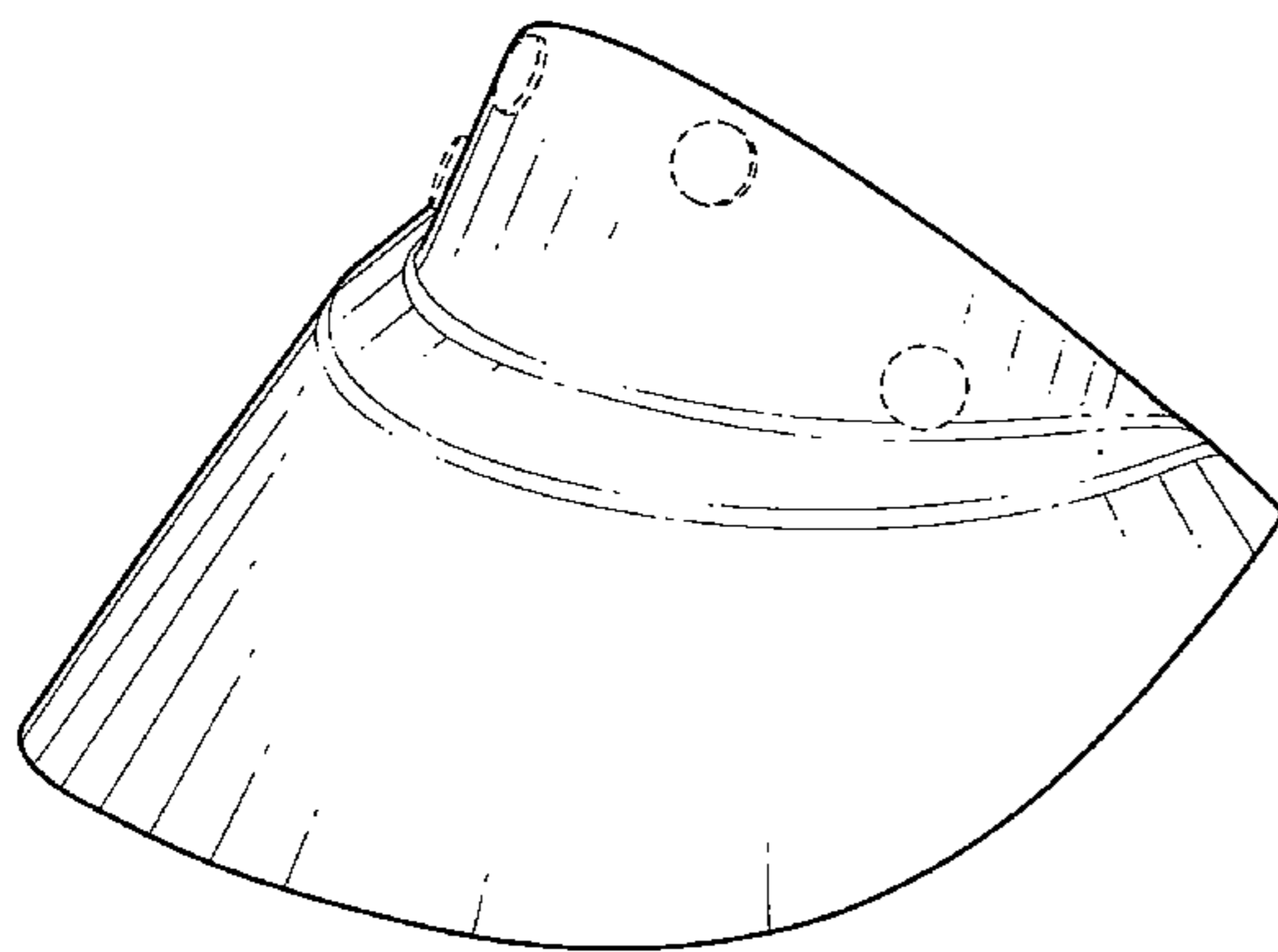
FIG. 5 is a top view thereof;

FIG. 6 is a bottom view thereof; and,

FIG. 7 is a perspective view thereof.

The broken lines shown in FIGS. 1 through 7 are environmental and form no part of the claimed design.

1 Claim, 6 Drawing Sheets



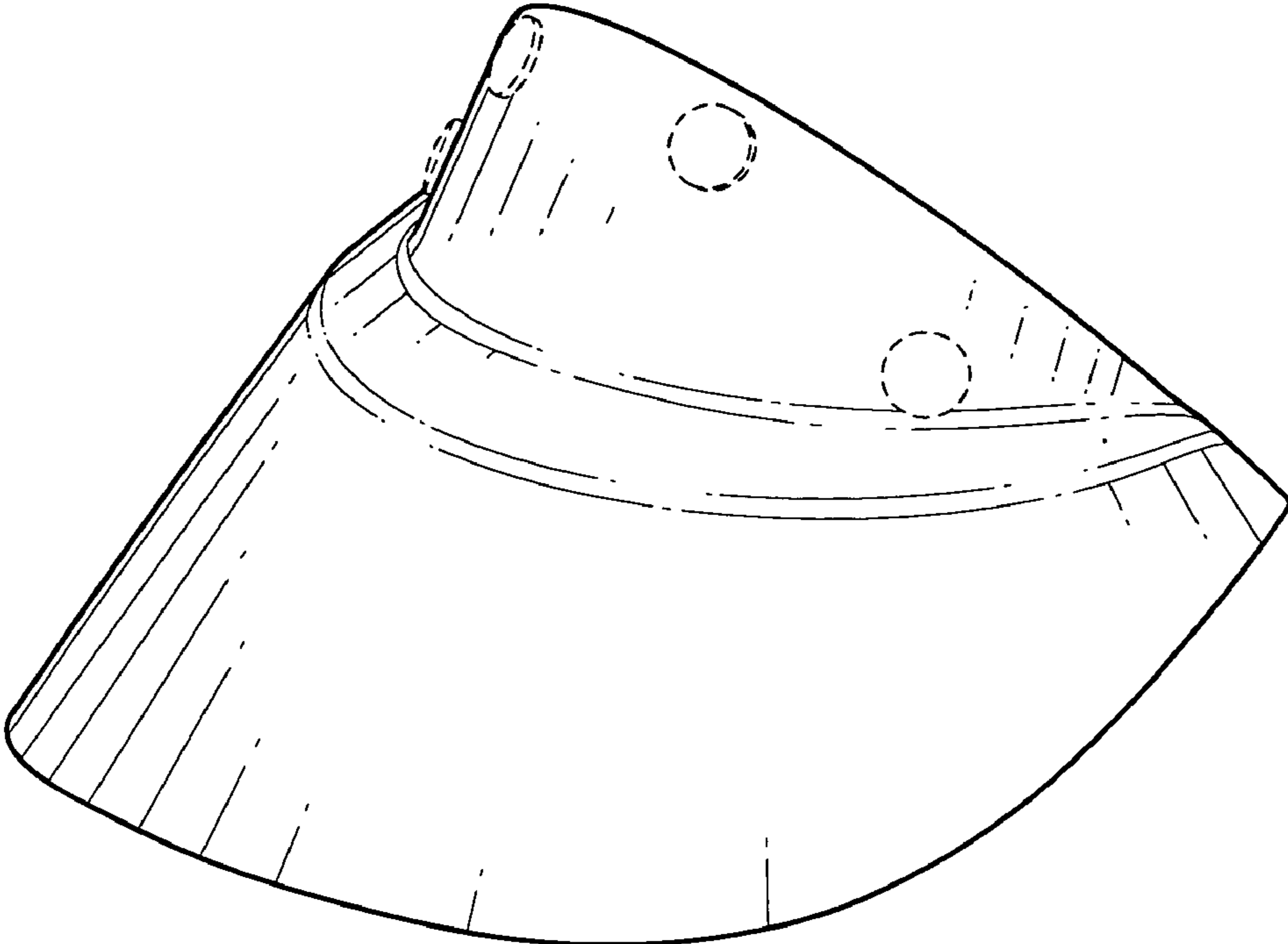


FIG. 1

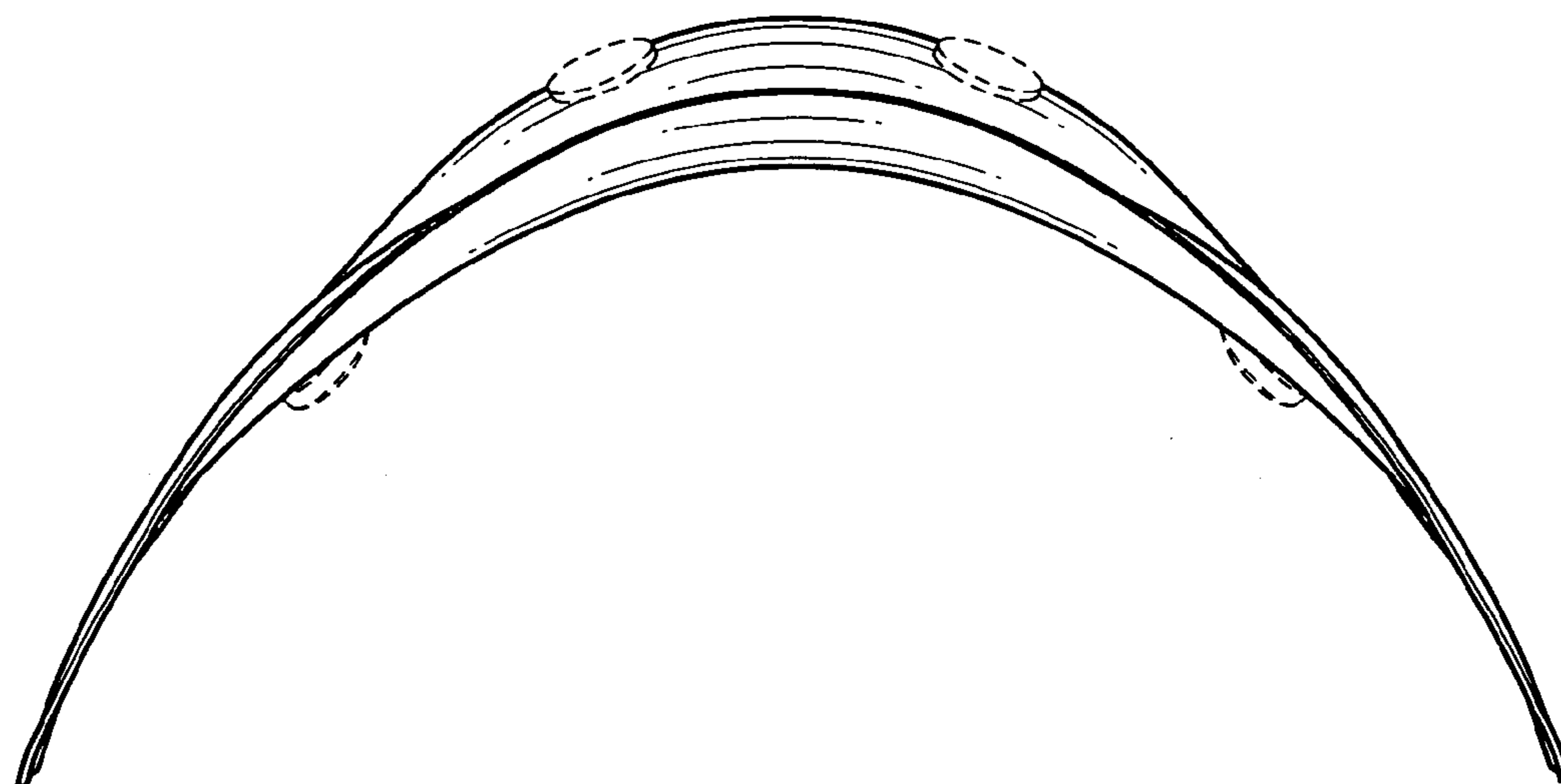


FIG. 2

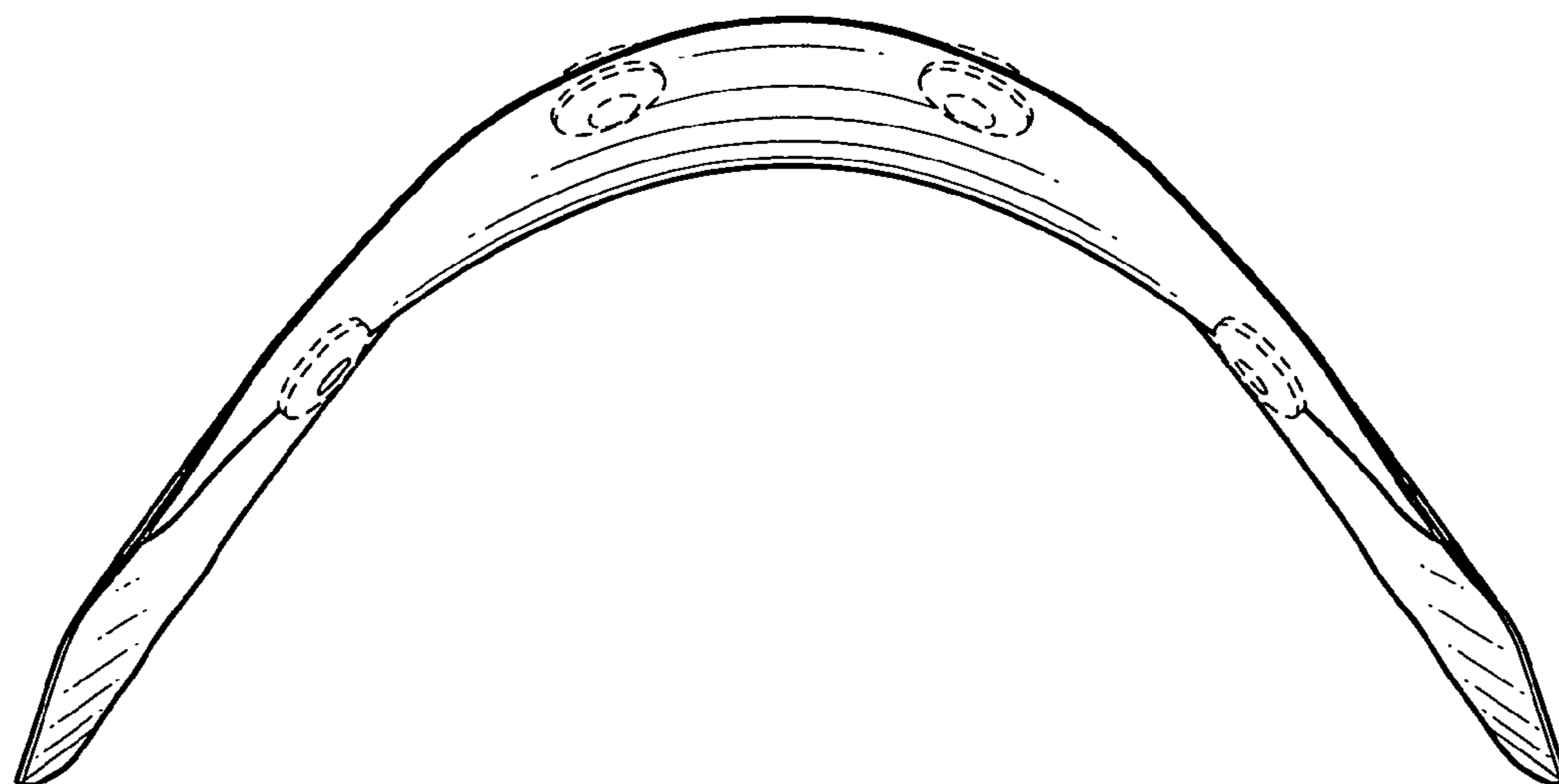


FIG. 3

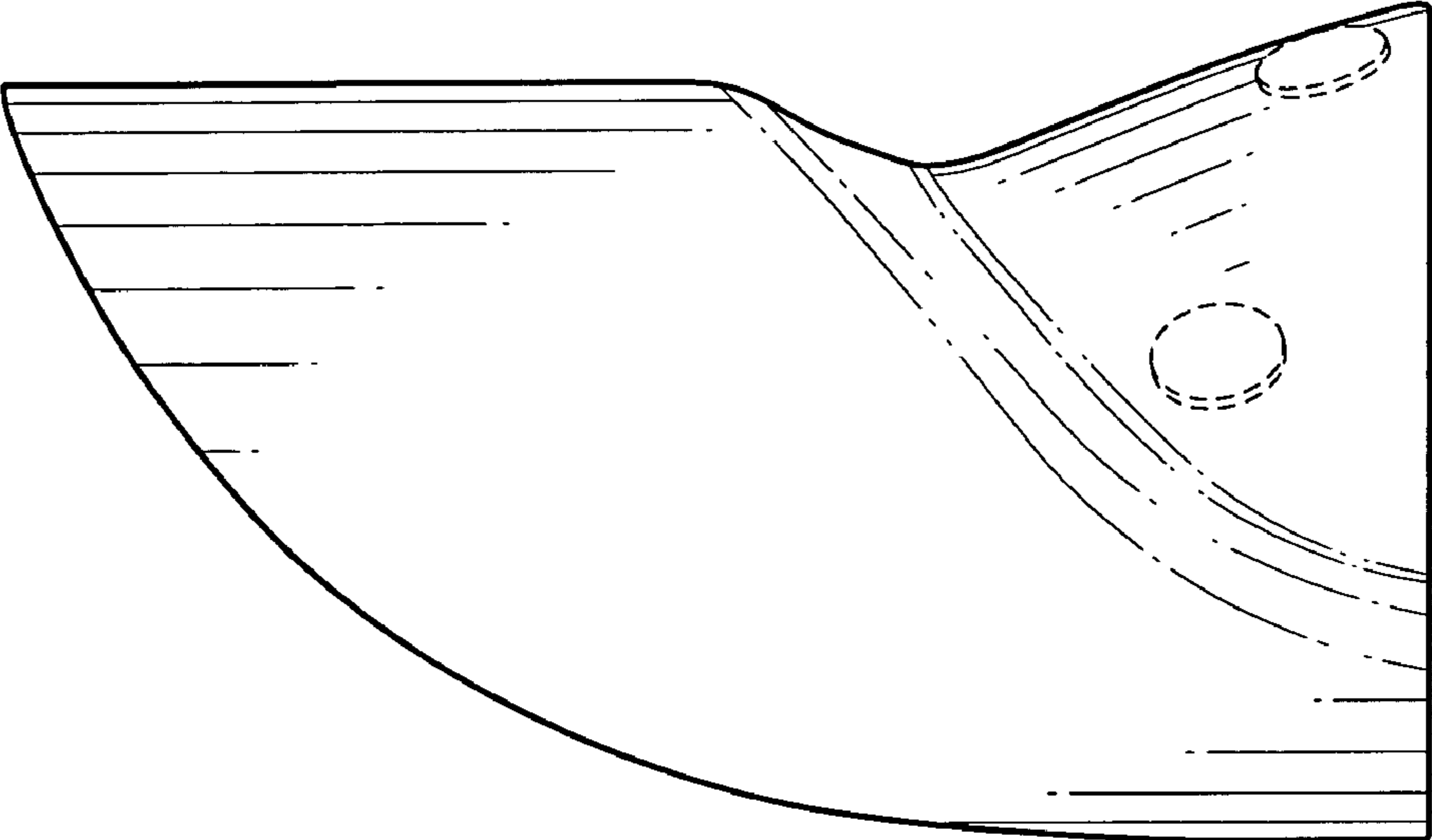


FIG.4

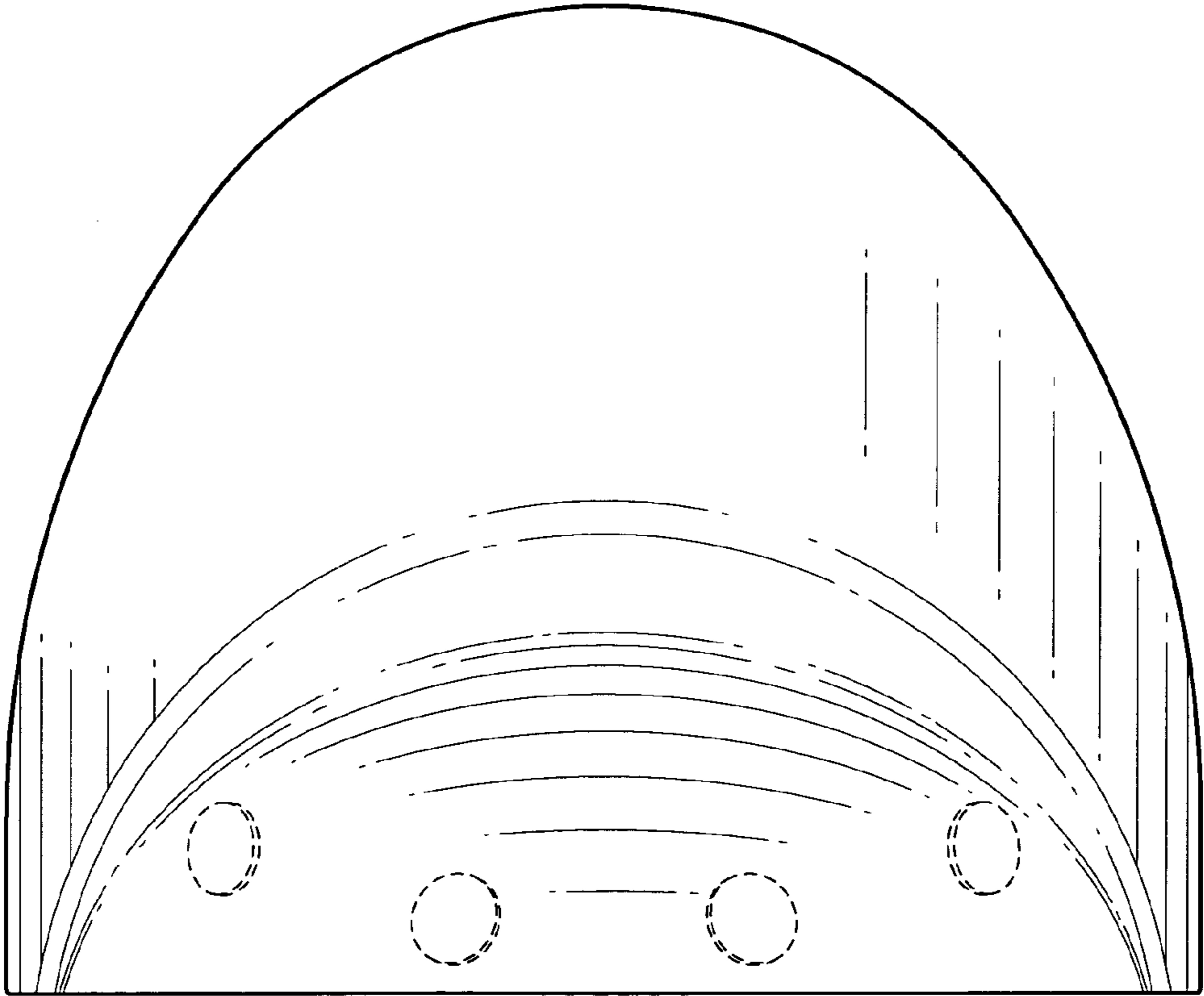


FIG.5

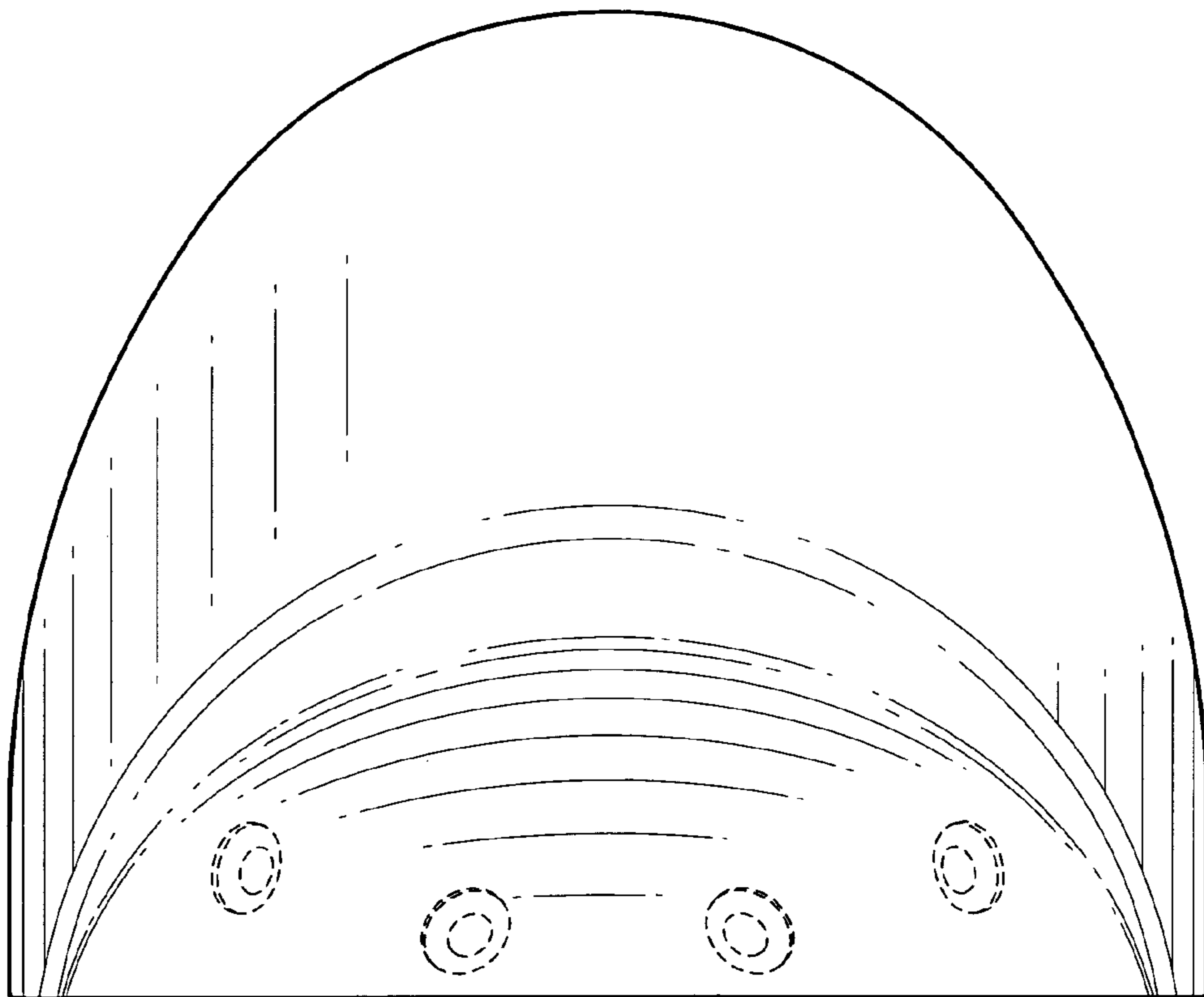


FIG.6

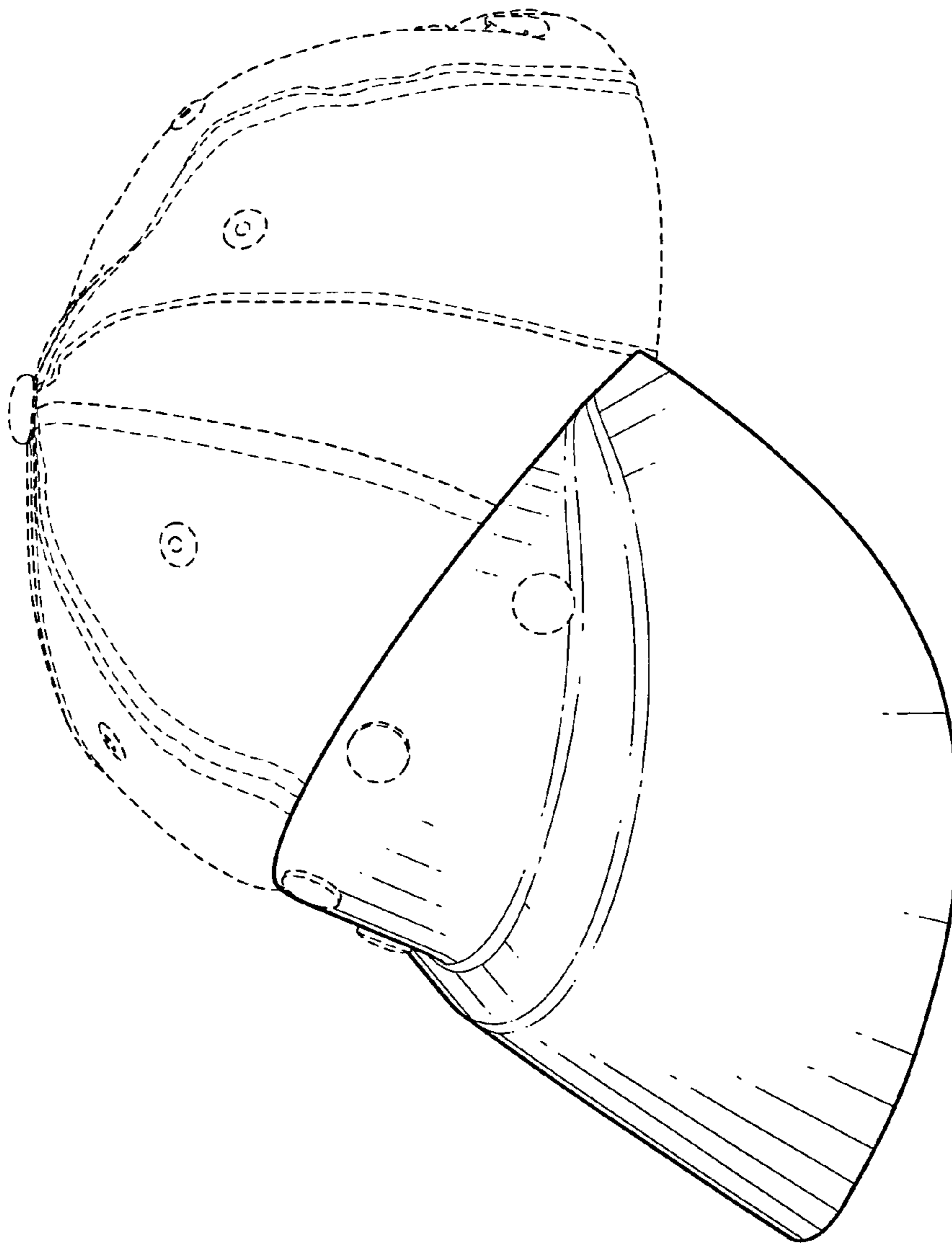


FIG. 7