



US00D664734S

(12) **United States Design Patent**
Connelly et al.

(10) **Patent No.:** **US D664,734 S**
(45) **Date of Patent:** **** Jul. 31, 2012**

(54) **REMOVABLE RIB AND WHEEL ASSEMBLY**

(76) Inventors: **G. Ivan Connelly**, San Clemente, CA
(US); **William Brant Connelly**,
Woodland Hills, CA (US)

(**) Term: **14 Years**

(21) Appl. No.: **29/375,069**

(22) Filed: **Sep. 16, 2010**

(51) **LOC (9) Cl.** **12-02**

(52) **U.S. Cl.** **D34/27**

(58) **Field of Classification Search** D34/12-27;
280/47.26, 641, 43.22, 47.13, 457.1, 47.131;
62/457.1

See application file for complete search history.

5,743,542 A 4/1998 Mast et al.
6,148,971 A 11/2000 Kho
6,755,428 B2 6/2004 Butler
6,769,702 B2 8/2004 Young
D500,904 S * 1/2005 Probol D34/24
7,461,477 B2 12/2008 Allen
D650,947 S * 12/2011 Cataudella et al. D28/48
2002/0167138 A1 11/2002 Butler

* cited by examiner

Primary Examiner — Cynthia Ramirez

(74) *Attorney, Agent, or Firm* — QuickPatents, Inc.; Kevin Prince

(57) **CLAIM**

What is claimed is the ornamental design for a removable rib and wheel assembly, as shown and described.

(56) **References Cited**

U.S. PATENT DOCUMENTS

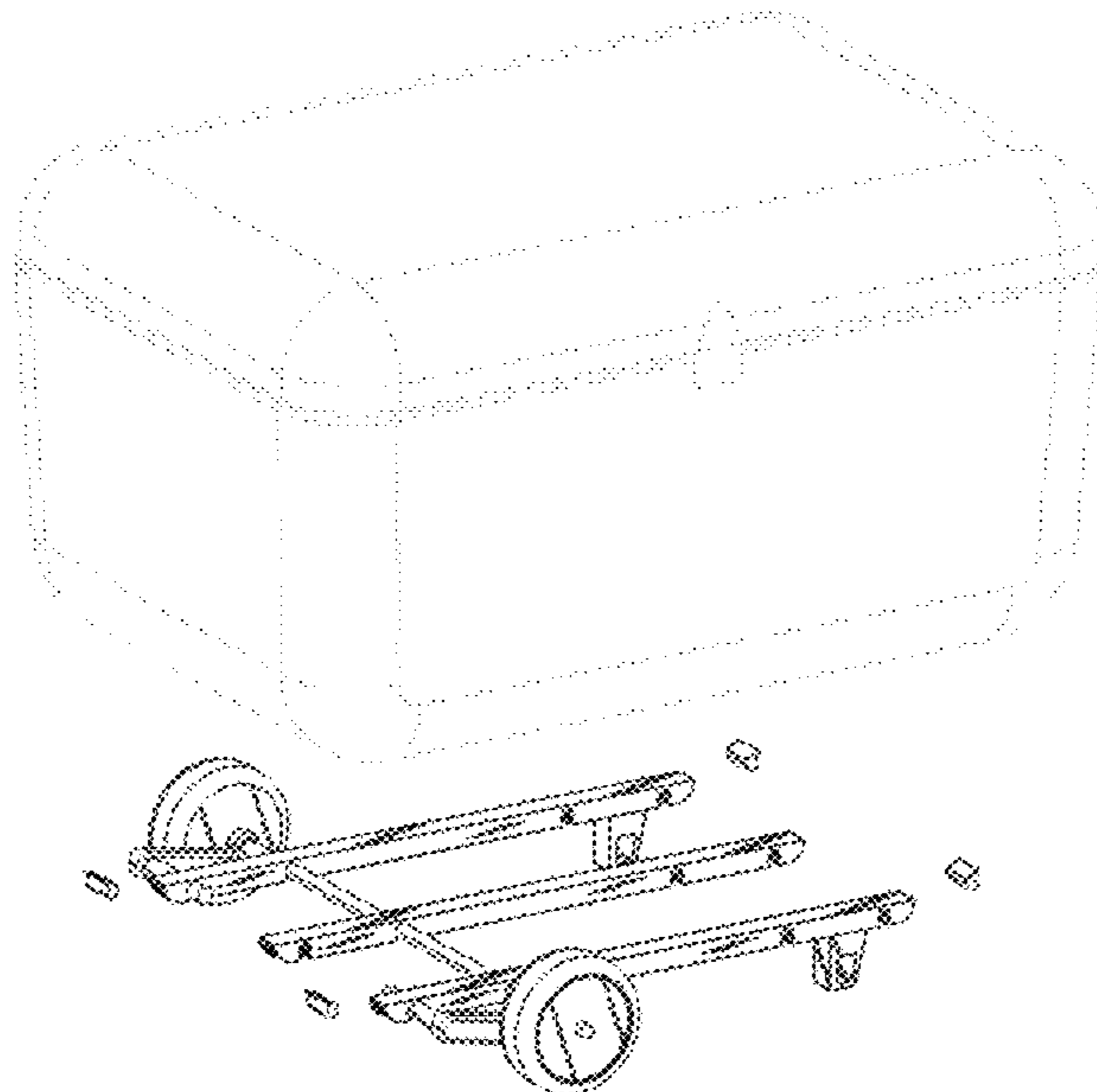
4,265,461 A	5/1981	Okubo	
4,846,493 A	7/1989	Mason	
4,856,810 A *	8/1989	Smith	280/639
D313,099 S *	12/1990	Tasley	D34/17
5,114,118 A *	5/1992	Schrader	254/8 R
5,188,381 A	2/1993	Kho	
D333,899 S *	3/1993	Caceres	D34/17
5,228,706 A	7/1993	Boville	
5,249,438 A	10/1993	Rhaney et al.	
5,259,215 A	11/1993	Rocca	
5,286,047 A	2/1994	Kho	
D348,132 S *	6/1994	McCoy et al.	D34/23
D349,994 S *	8/1994	Schurr	D34/23
5,373,708 A	12/1994	Dumonulin, Jr.	
D361,186 S *	8/1995	Kowalski et al.	D34/12
5,439,237 A	8/1995	Kutchie	
5,465,985 A	11/1995	Devan et al.	
5,480,169 A *	1/1996	Wang	280/37
5,489,107 A	2/1996	Kho	

DESCRIPTION

FIG. 1 is an exploded perspective view of a removable rib and wheel assembly, showing the new design in a first position; FIG. 2 is an alternate exploded perspective view thereof; FIG. 3 is a front elevational view thereof; FIG. 4 is a rear elevational view thereof; FIG. 5 is an exploded left-side elevational view thereof; FIG. 6 is a right-side elevational view thereof; FIG. 7 is a top plan view thereof; FIG. 8 is a bottom plan view thereof; FIG. 9 is an exploded front perspective view thereof; and, FIG. 10 is an alternate front perspective view thereof, illustrated in a second position.

The broken lines showing a cooler in FIGS. 1 and 6 are included for the purpose of illustrating the invention in use, and form no part of the claimed design.

1 Claim, 7 Drawing Sheets



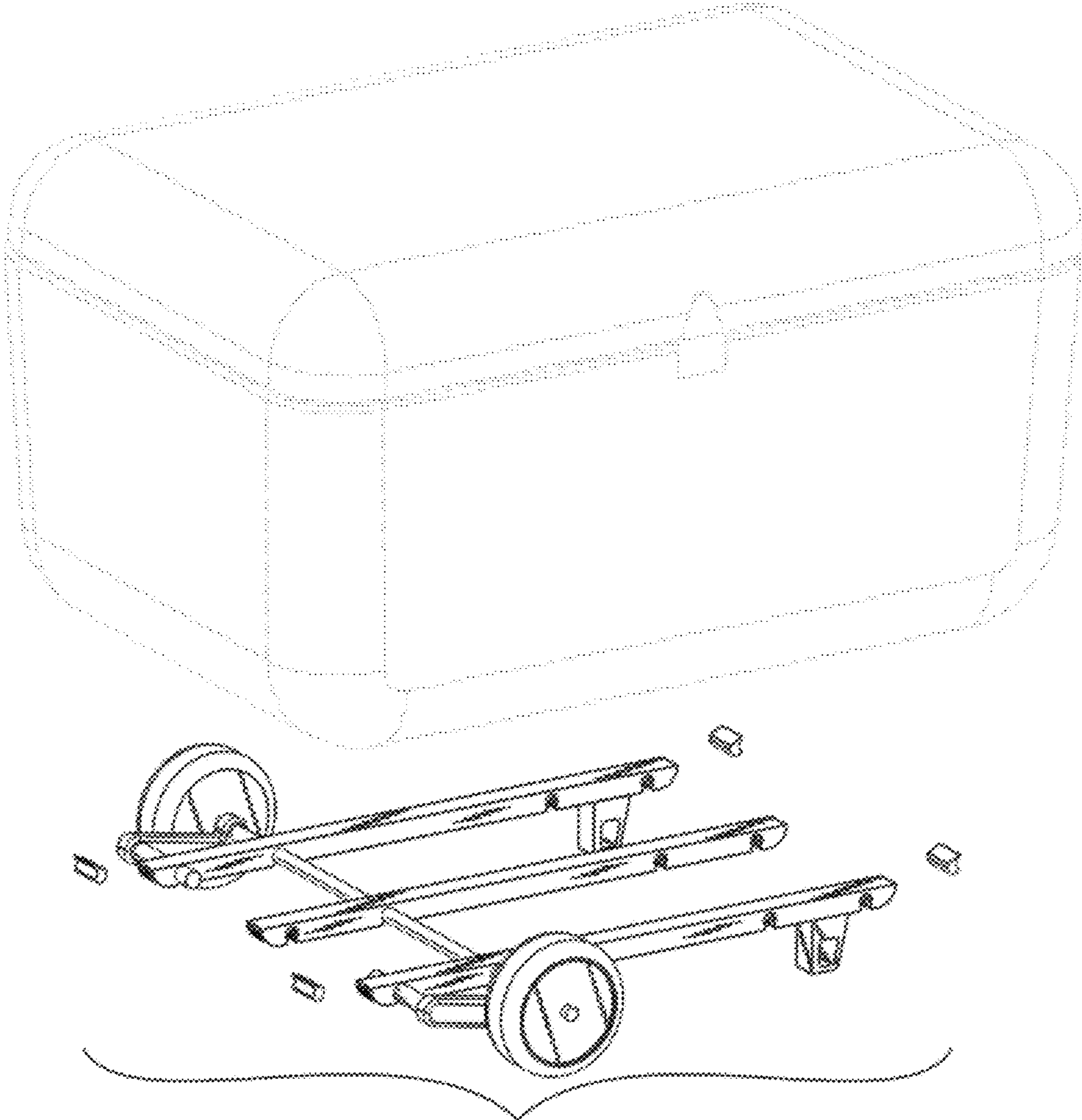


FIG. 1

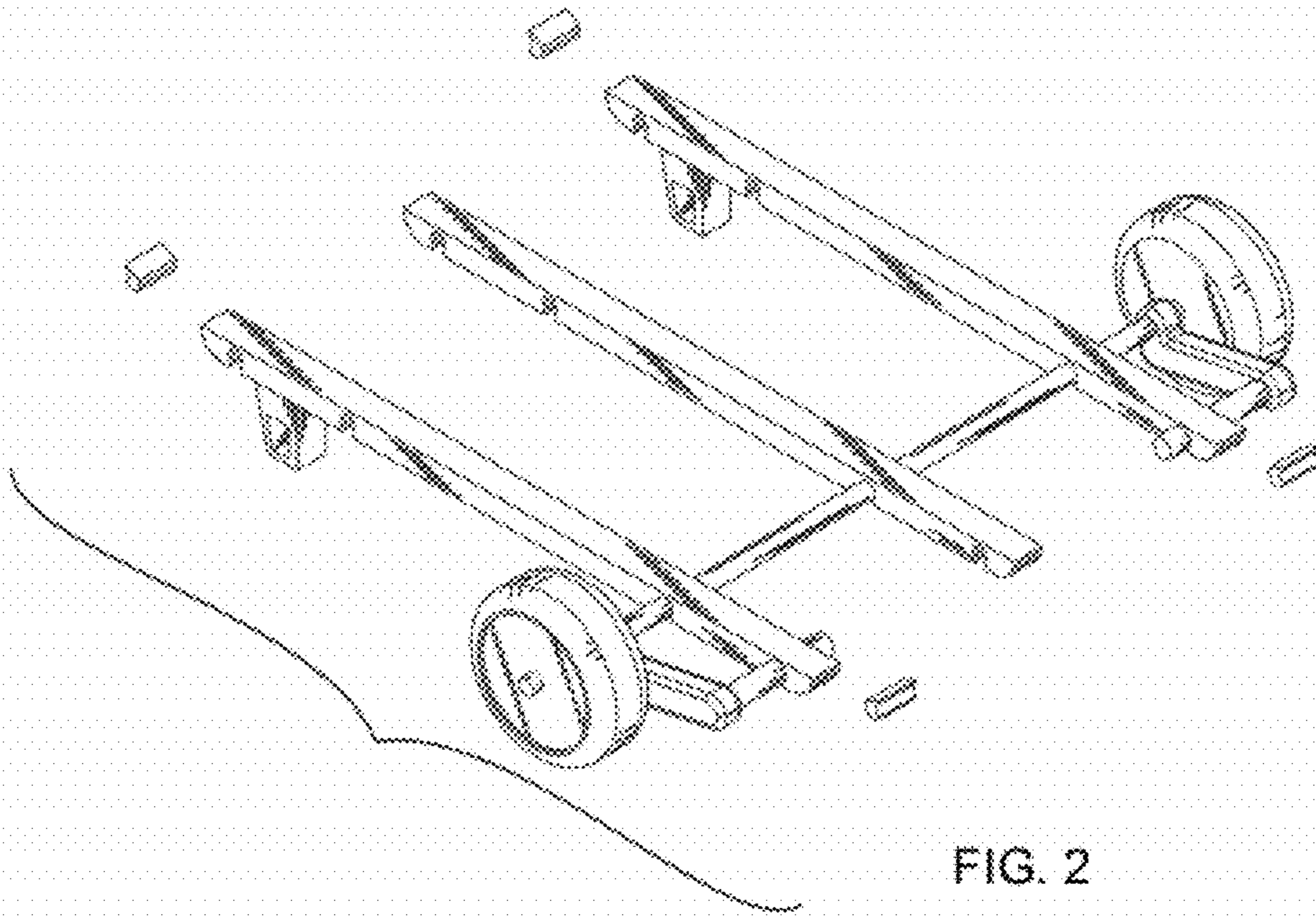


FIG. 2

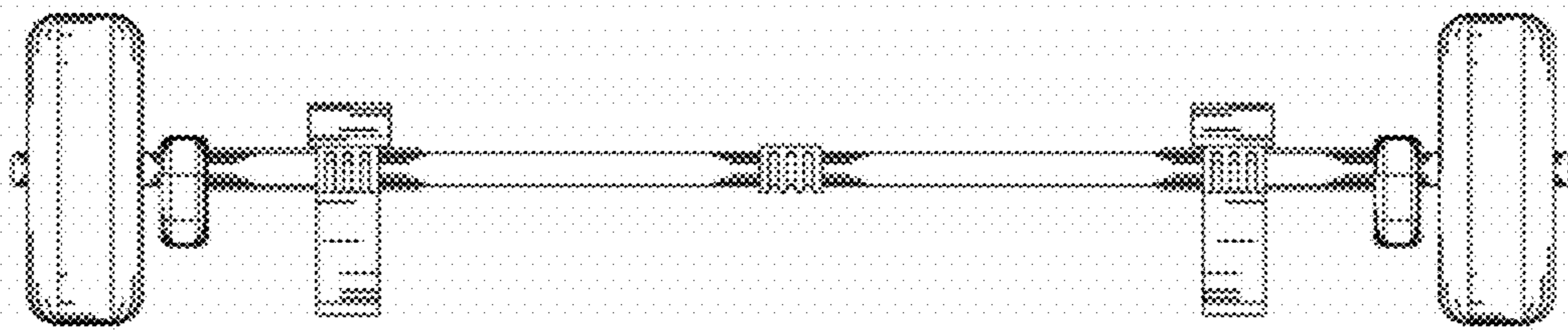


FIG. 3

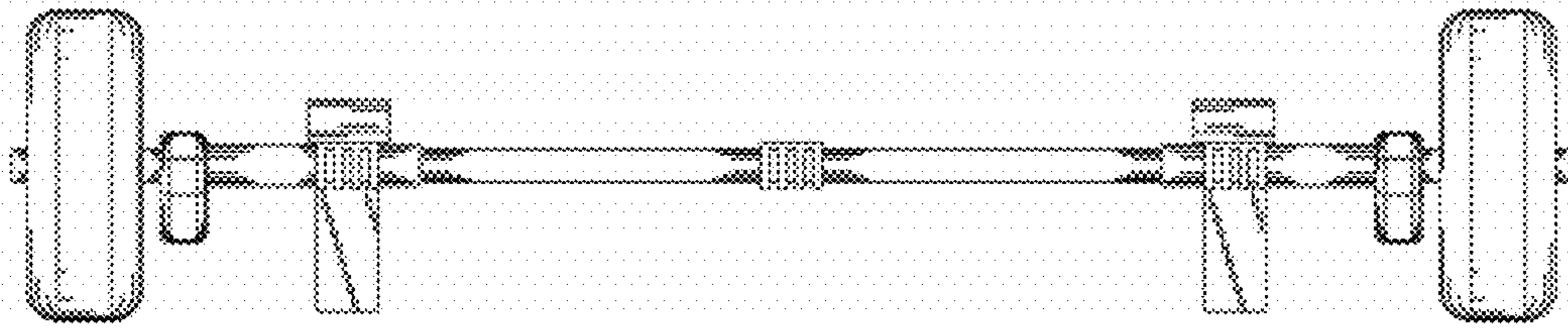


FIG. 4

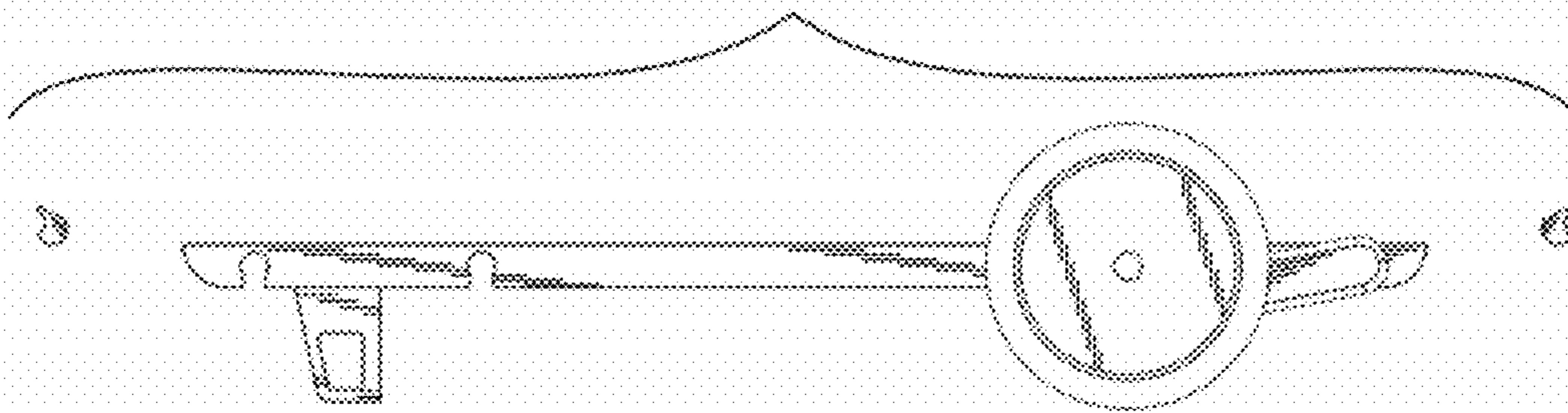


FIG. 5

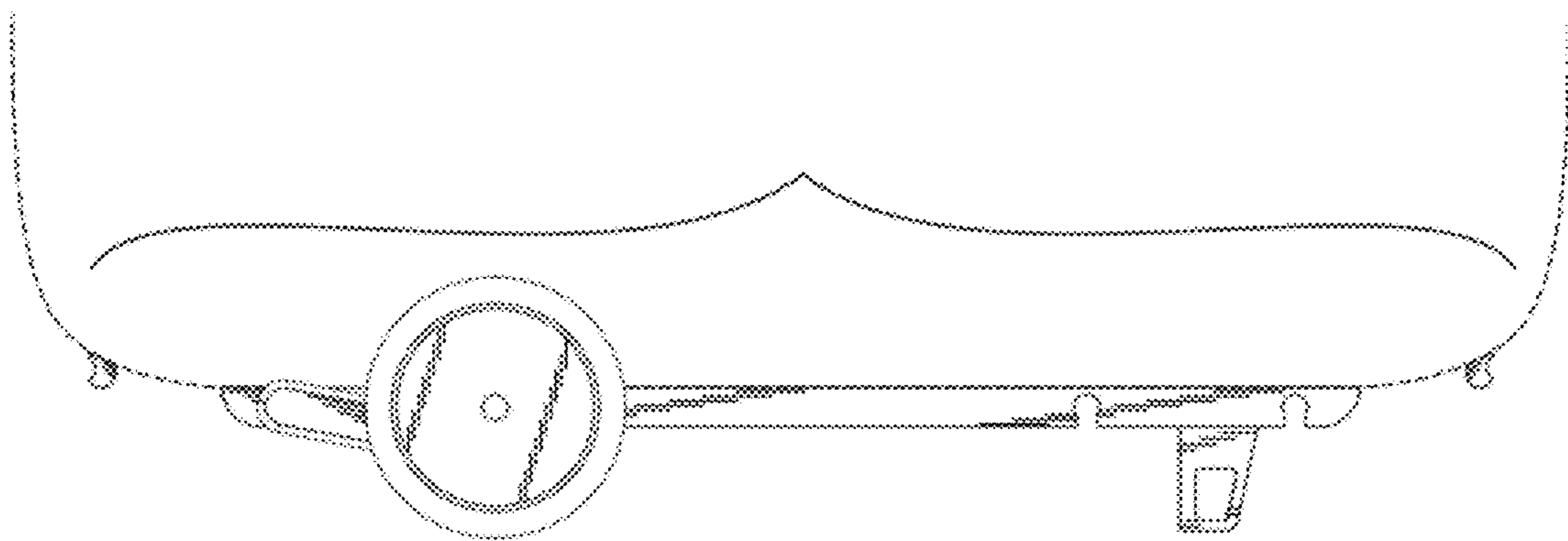


FIG. 6

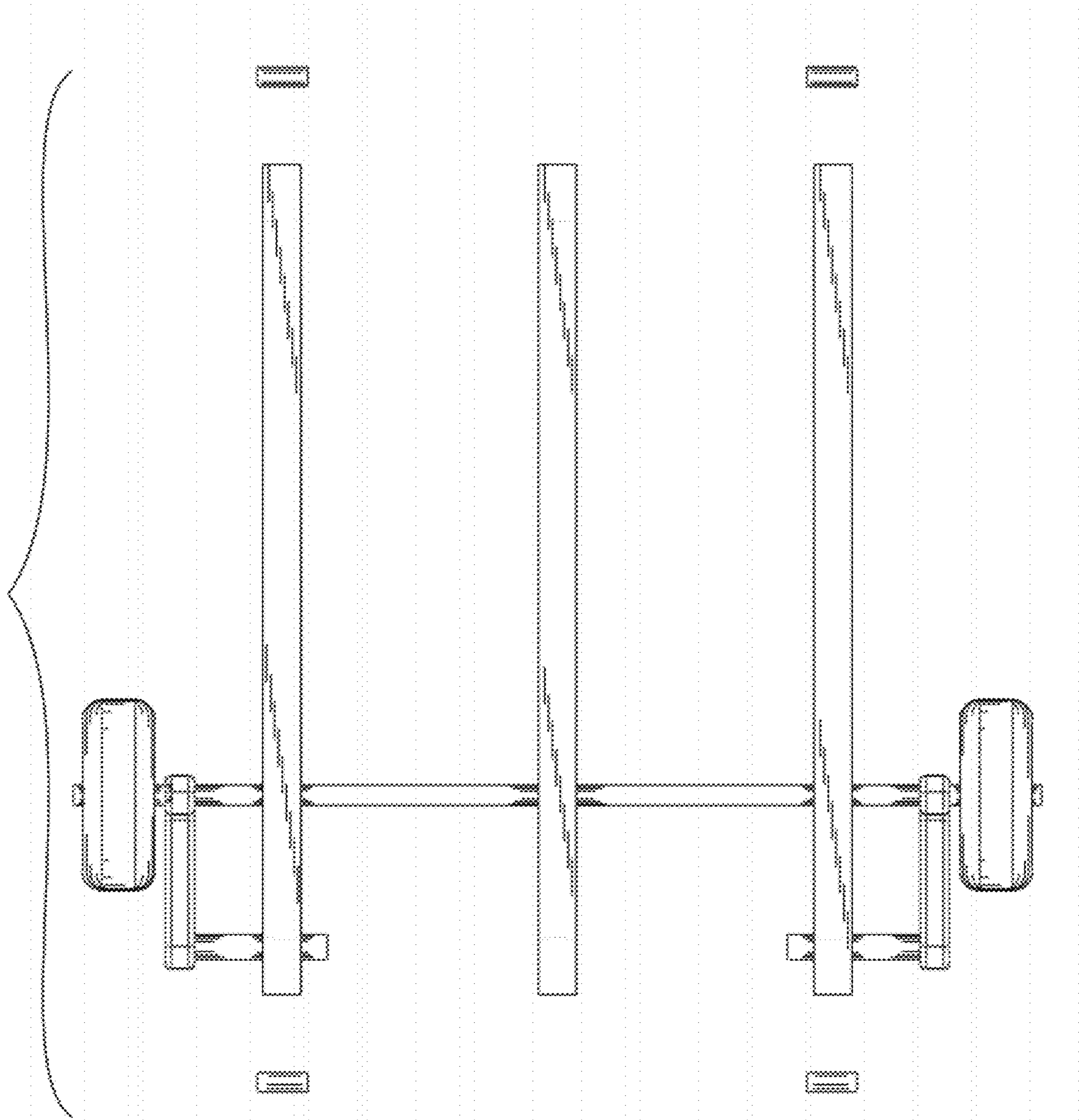


FIG. 7

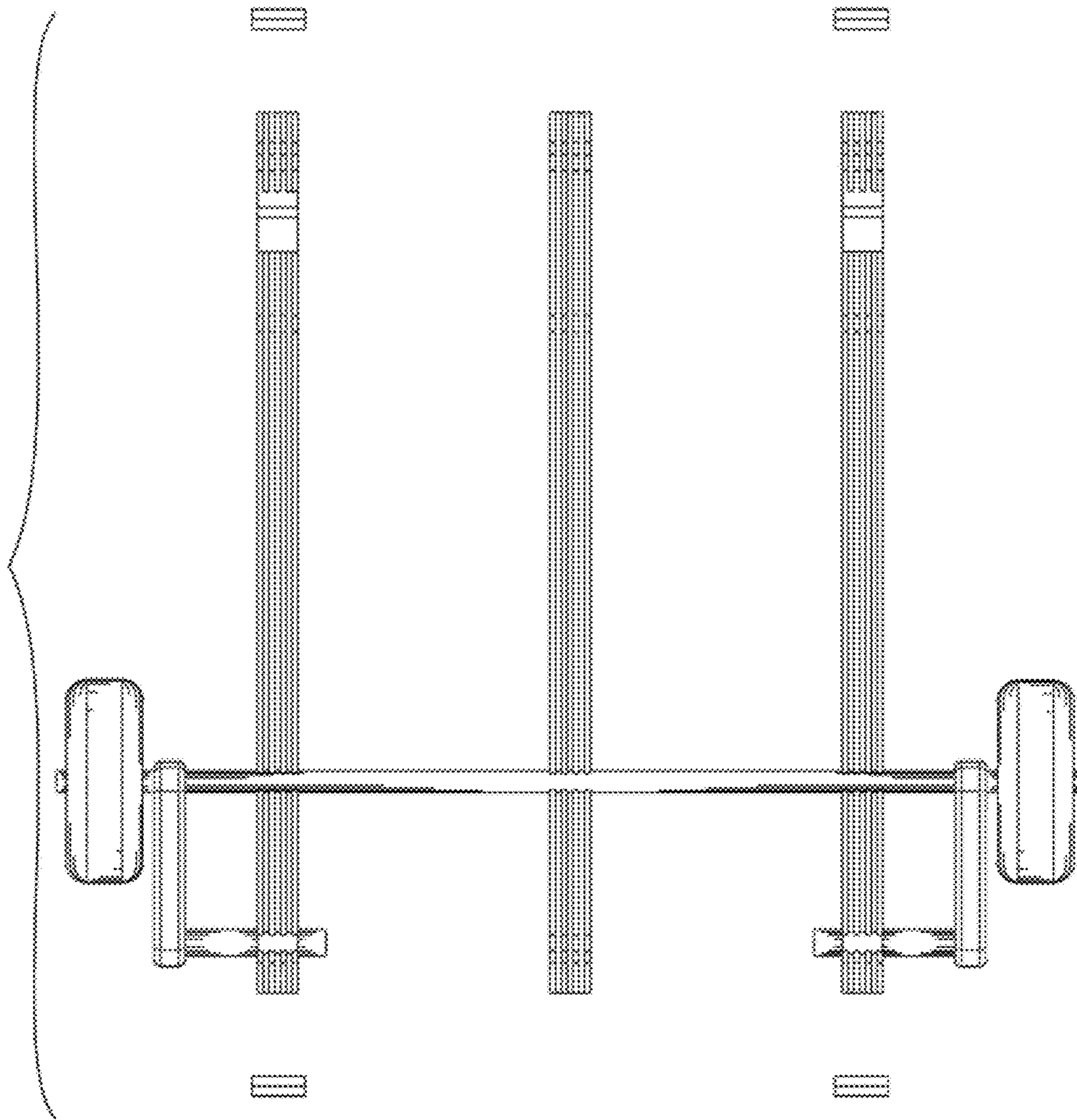


FIG. 8

