



US00D664733S

(12) **United States Design Patent**  
**Yang**

(10) **Patent No.:** **US D664,733 S**  
(45) **Date of Patent:** **\*\* Jul. 31, 2012**

- (54) **CART**
- (75) Inventor: **Cheng-Chiang Yang**, Taichung (TW)
- (73) Assignee: **Great Taiwan Material Handling Co.**,  
Taichung (TW)
- (\*\*) Term: **14 Years**
- (21) Appl. No.: **29/407,677**
- (22) Filed: **Dec. 1, 2011**
- (51) **LOC (9) Cl.** ..... **12-02**
- (52) **U.S. Cl.** ..... **D34/24**
- (58) **Field of Classification Search** ..... D34/12-27;  
280/47.315, 40, 35, 38, 47.17, 47.18, 47.24,  
280/47.27, 47.29, 42, 63, 655, 638, 641,  
280/645, 646, 651, 652, 654  
See application file for complete search history.

D453,602	S	*	2/2002	Chang	.....	D34/24
D466,267	S	*	11/2002	Lee	.....	D34/24
D468,882	S	*	1/2003	Hsieh et al.	.....	D34/24
RE38,436	E	*	2/2004	Su	.....	280/40
7,044,484	B2	*	5/2006	Wang	.....	280/47.27
D522,708	S	*	6/2006	Chang	.....	D34/24
7,097,183	B1	*	8/2006	Su	.....	280/47.29
D558,423	S	*	12/2007	Roiser	.....	D34/15
7,398,990	B2	*	7/2008	Tsai	.....	280/652
7,441,785	B1	*	10/2008	Tsai	.....	280/47.29
D632,448	S	*	2/2011	Simko et al.	.....	D34/12
D638,190	S	*	5/2011	Spann	.....	D34/14
D654,241	S	*	2/2012	Vilkomirski et al.	.....	D34/26

\* cited by examiner

*Primary Examiner* — Cynthia Ramirez

(57) **CLAIM**  
The ornamental design for a cart, as shown and described.

**DESCRIPTION**

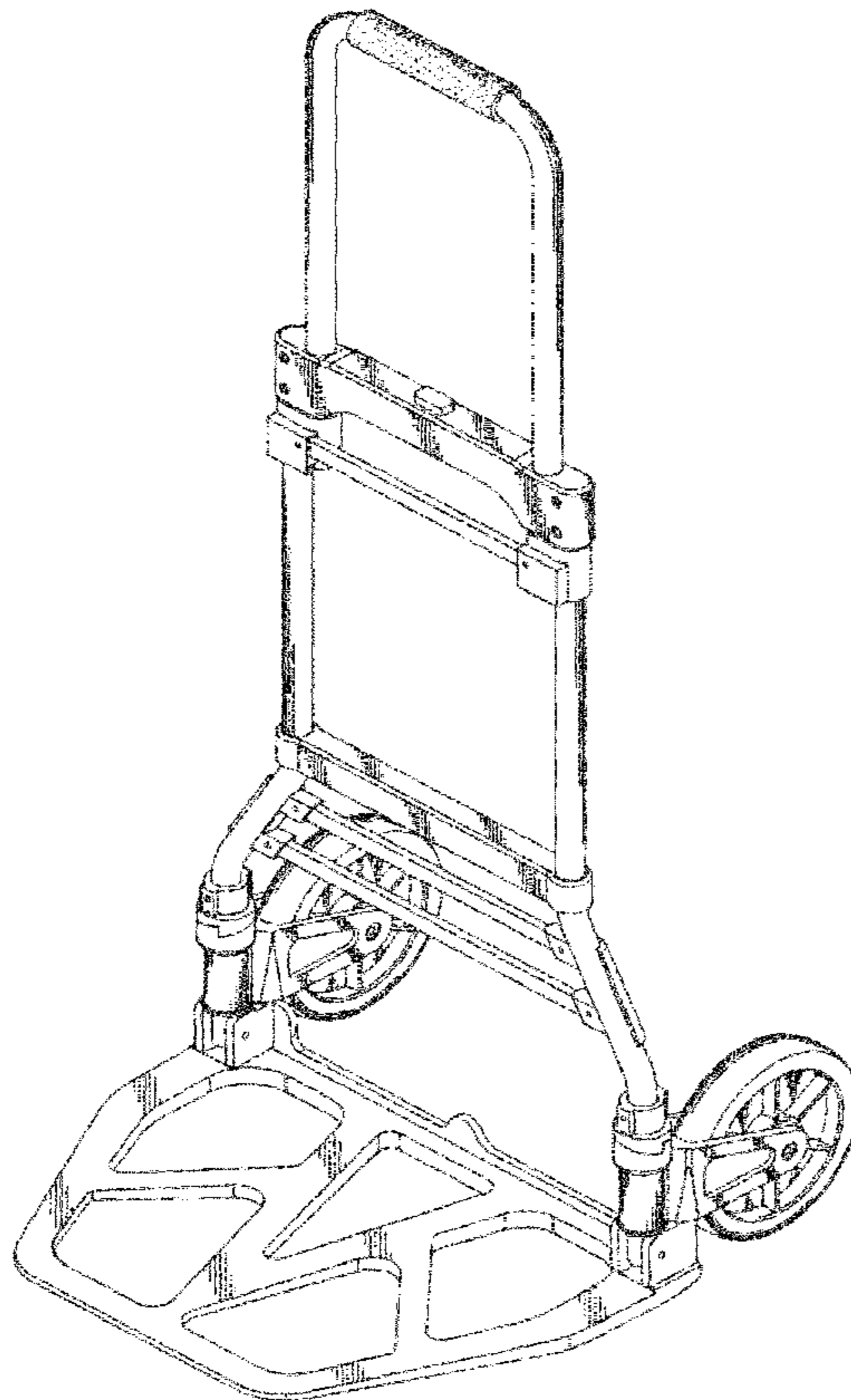
FIG. 1 is a perspective view of a cart showing my new design;  
FIG. 2 is a front elevational view thereof;  
FIG. 3 is a rear elevational view thereof;  
FIG. 4 is a left side view thereof;  
FIG. 5 is a right side view thereof;  
FIG. 6 is a top plan view thereof;  
FIG. 7 is a bottom plan view thereof; and,  
FIG. 8 is a perspective view thereof for showing the cart to be folded.

**1 Claim, 7 Drawing Sheets**

(56) **References Cited**

U.S. PATENT DOCUMENTS

D298,076	S	*	10/1988	Holtz	.....	D34/26
D328,661	S	*	8/1992	vom Braucke et al.	.....	D34/26
D335,738	S	*	5/1993	Tsai	.....	D34/26
5,468,005	A	*	11/1995	Yang	.....	280/40
5,803,471	A	*	9/1998	DeMars et al.	.....	280/40
D411,679	S	*	6/1999	Hsieh et al.	.....	D34/24
5,941,543	A	*	8/1999	Kazmark, Jr.	.....	280/47.29



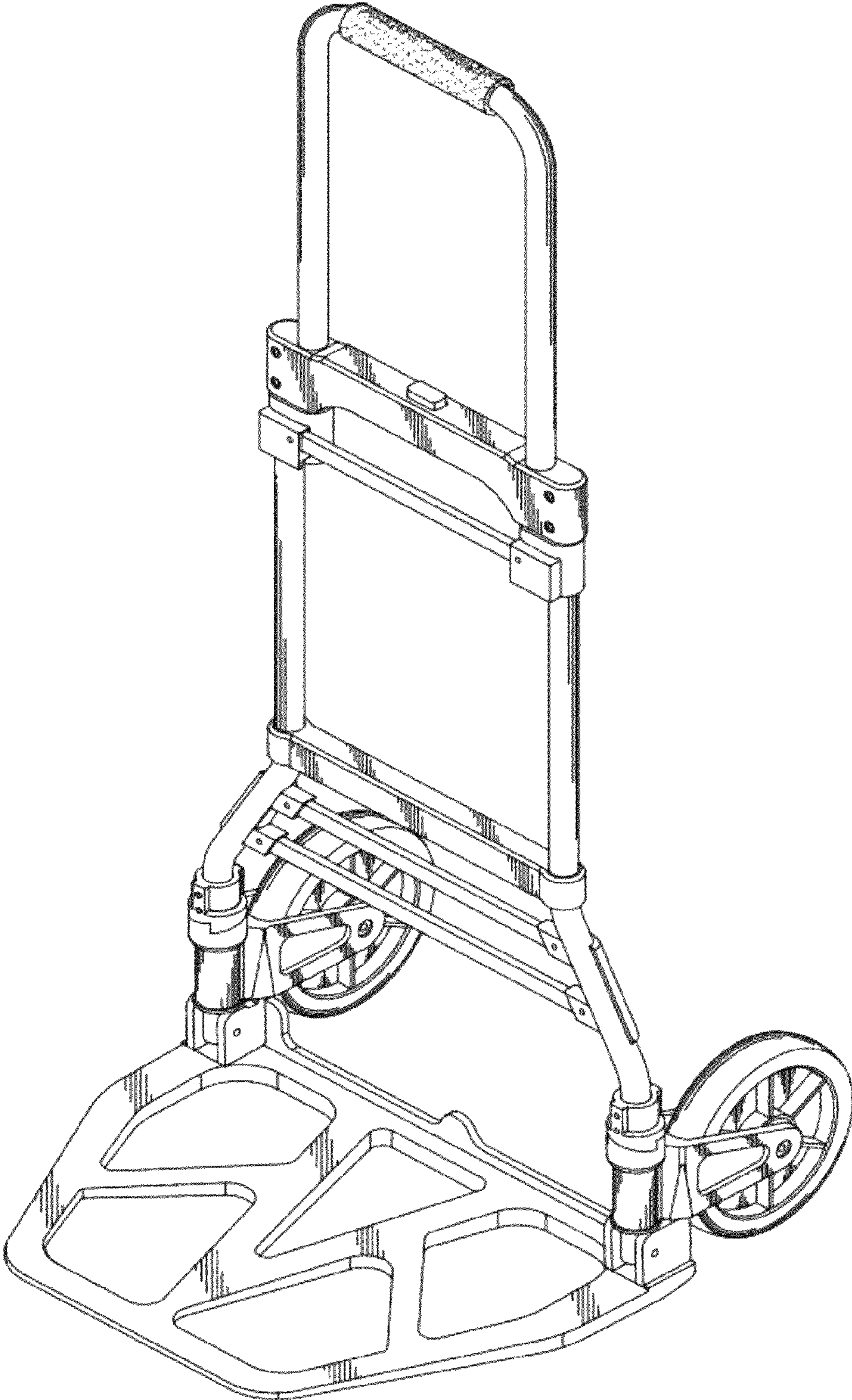


FIG. 1

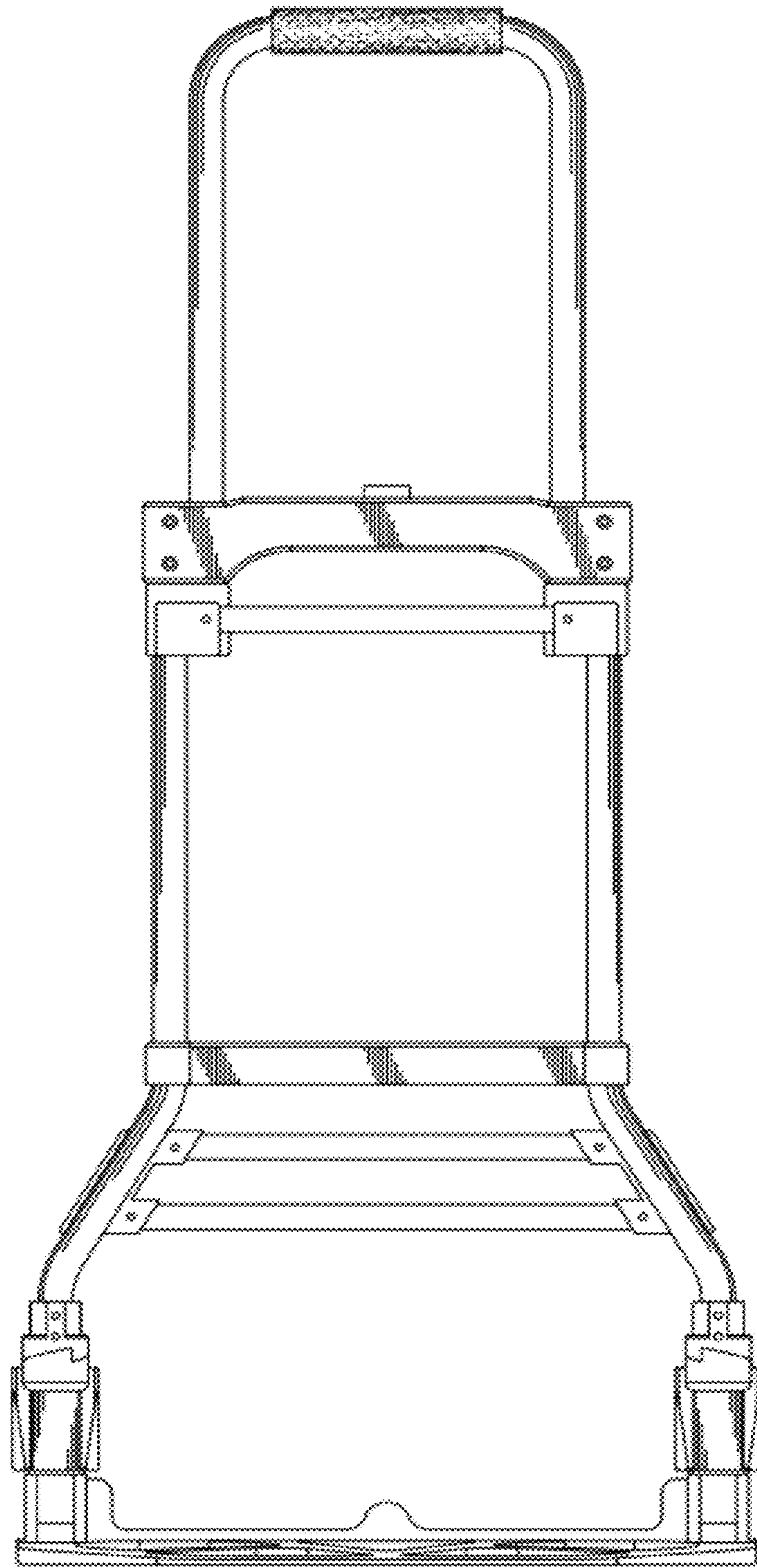


FIG. 2

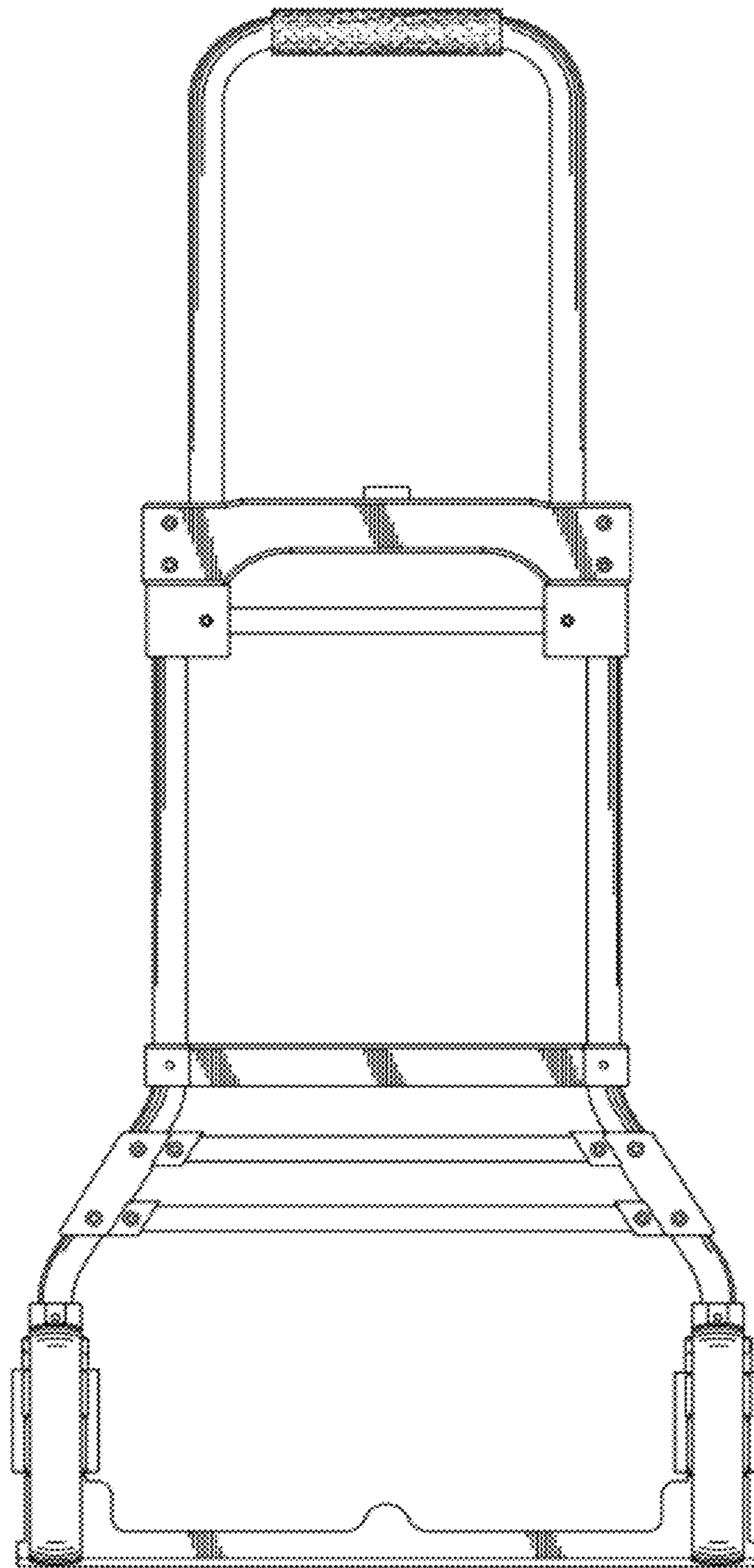


FIG. 3

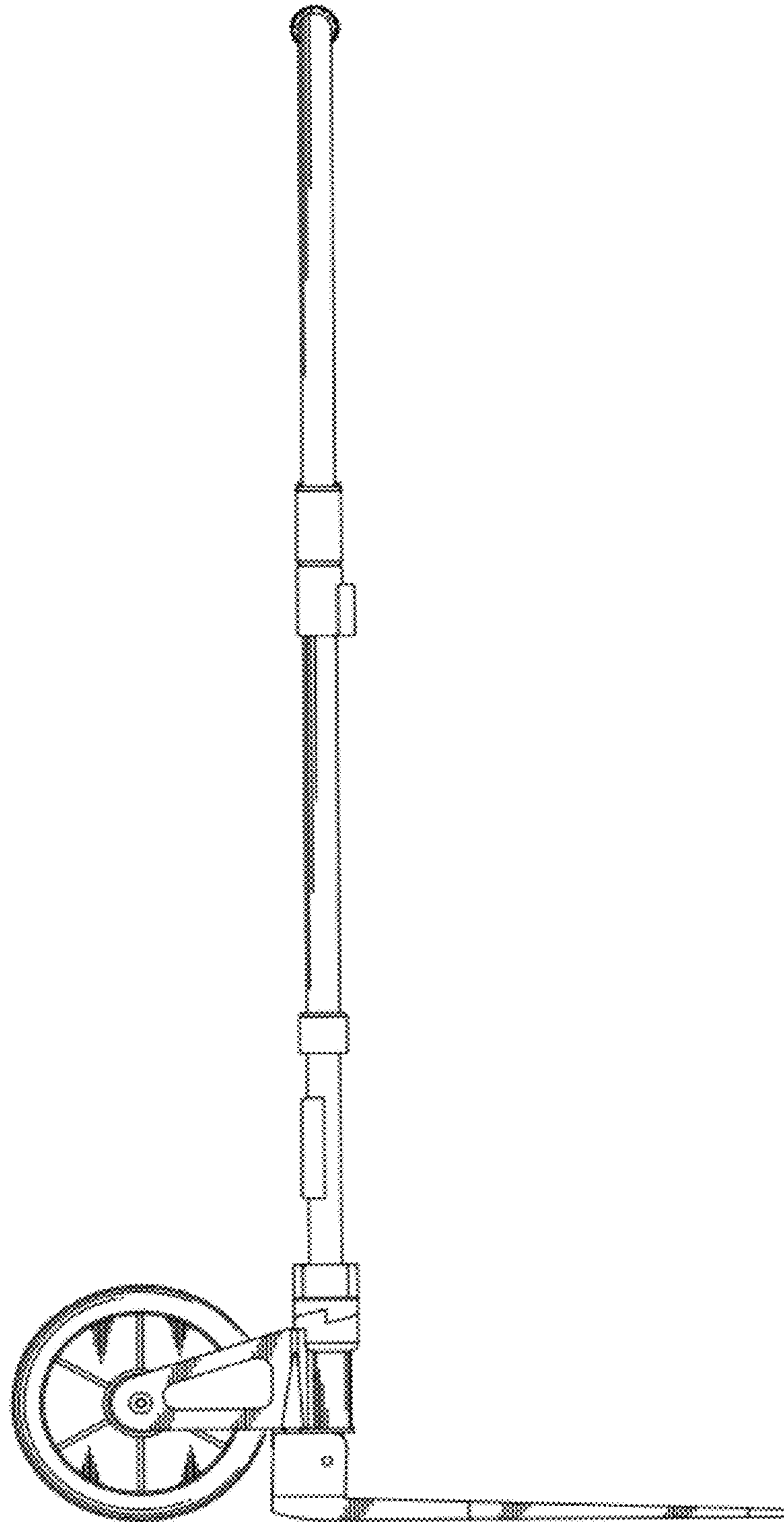


FIG. 4

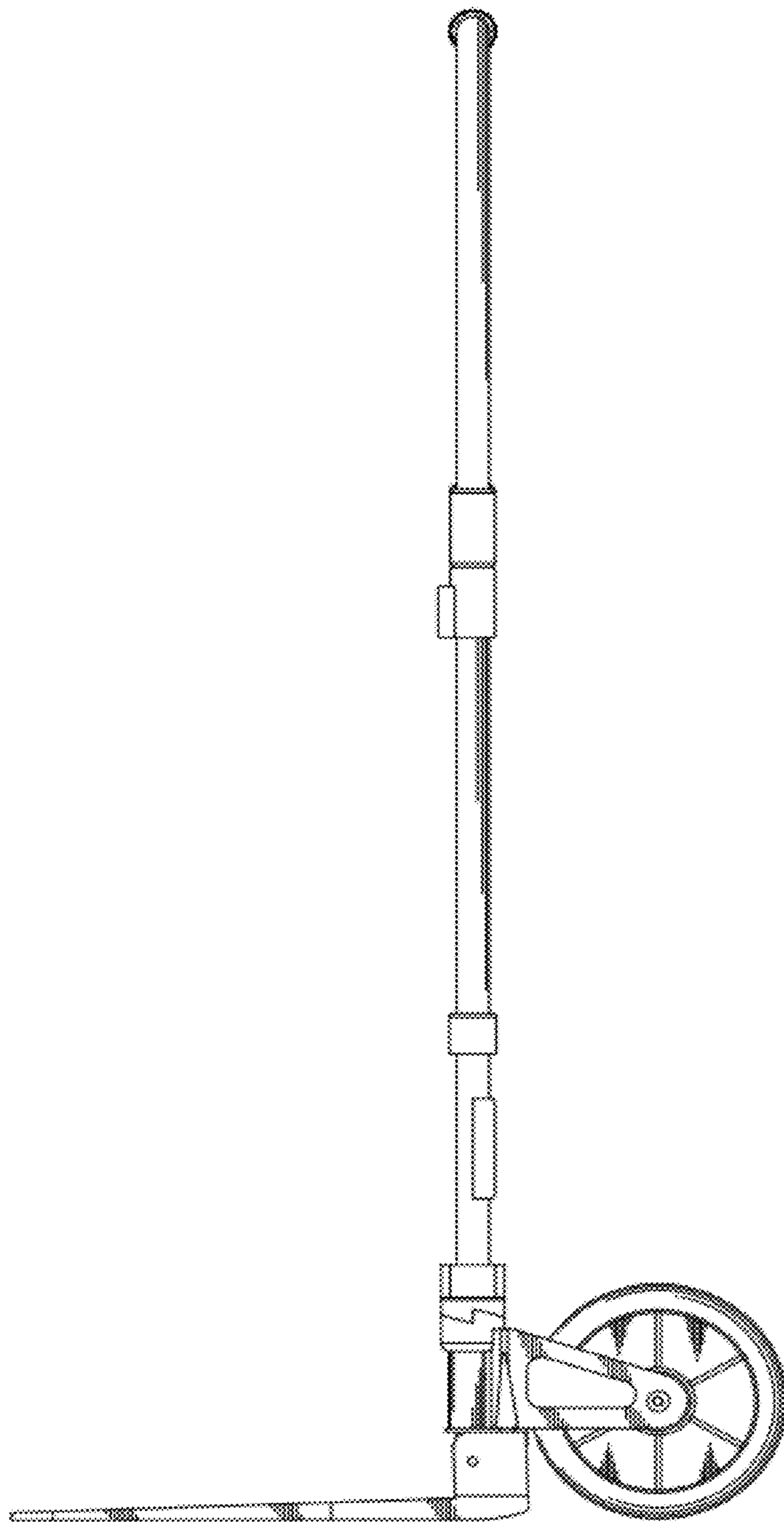


FIG. 5

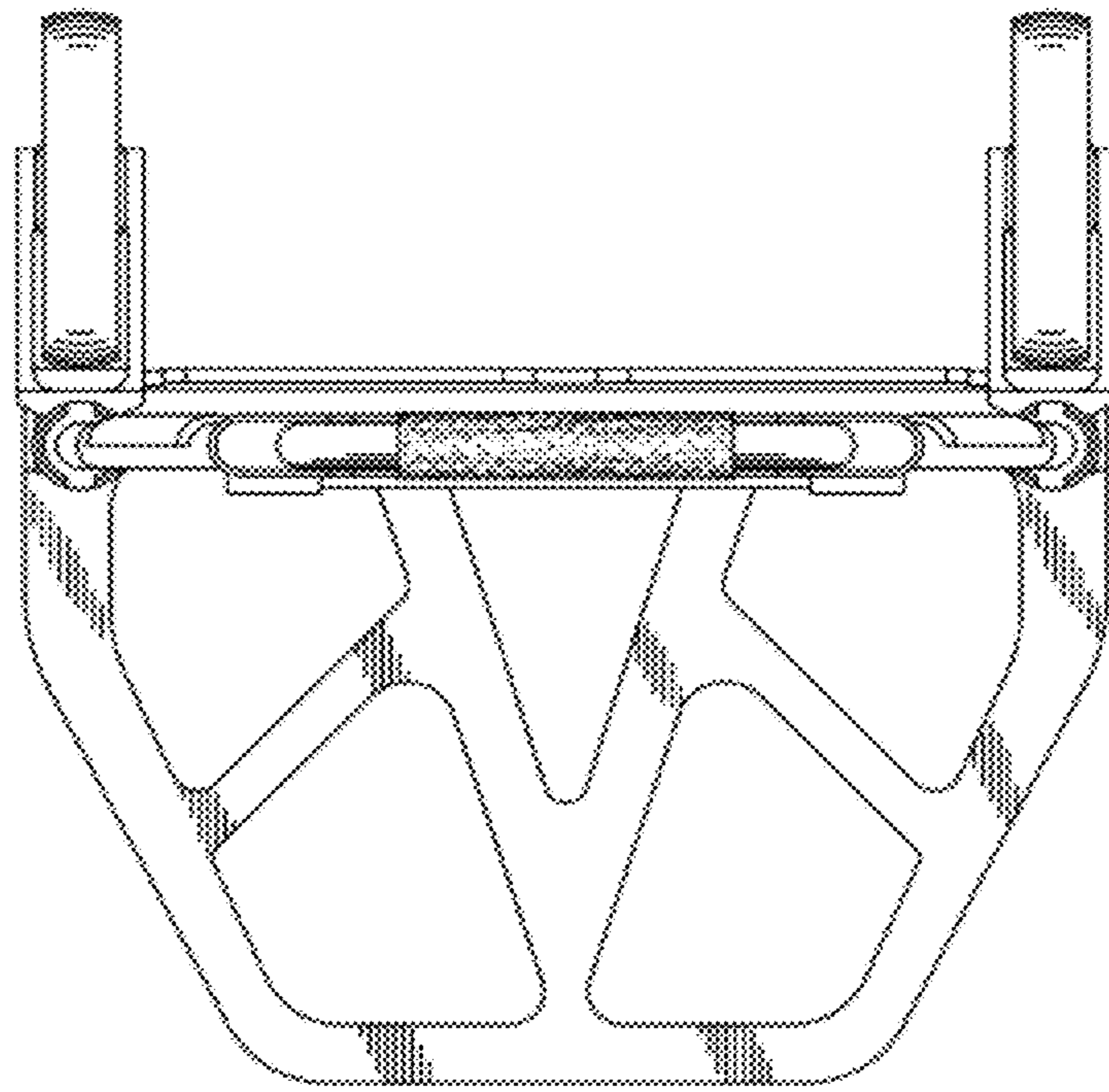


FIG. 6

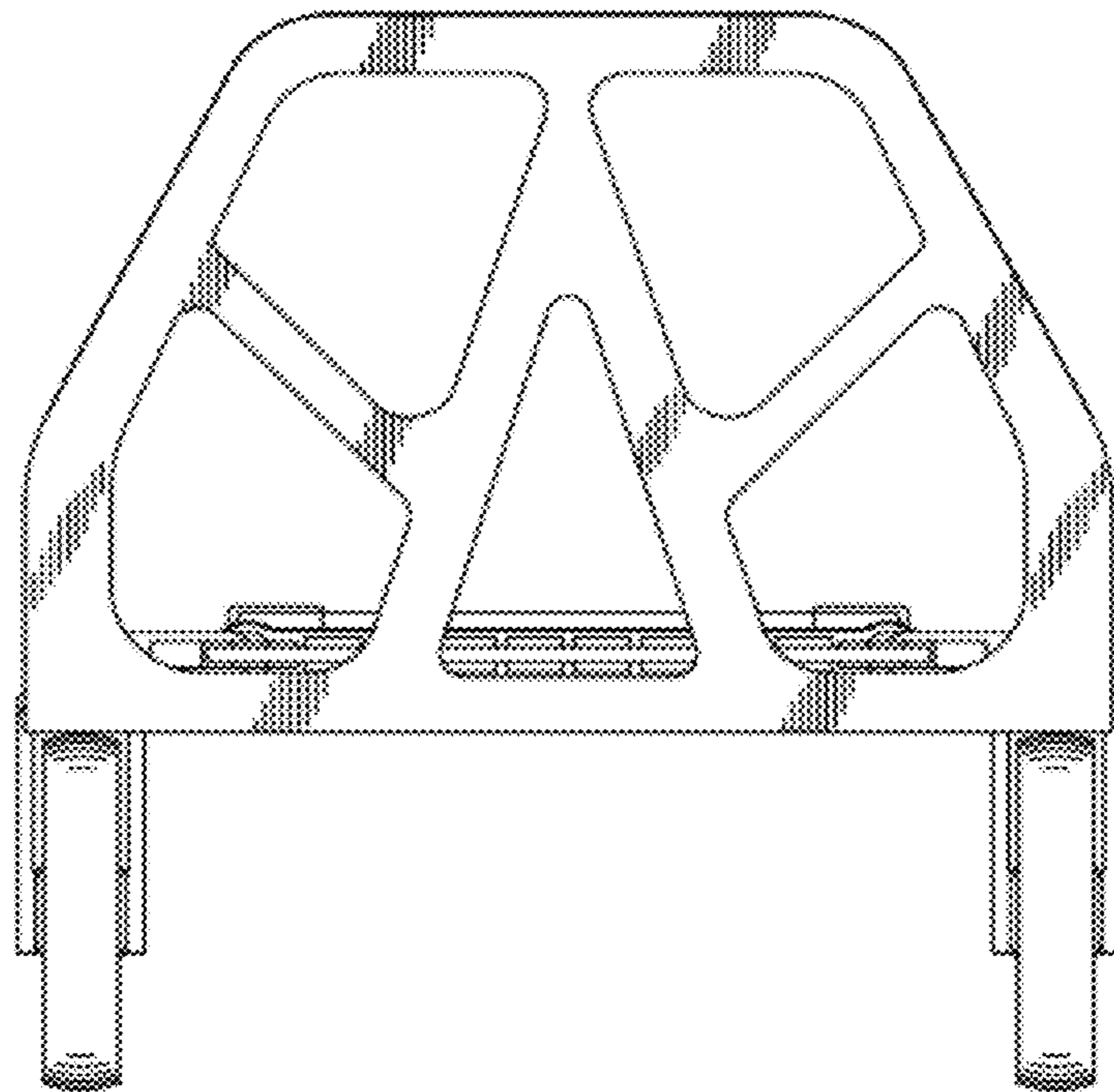


FIG. 7

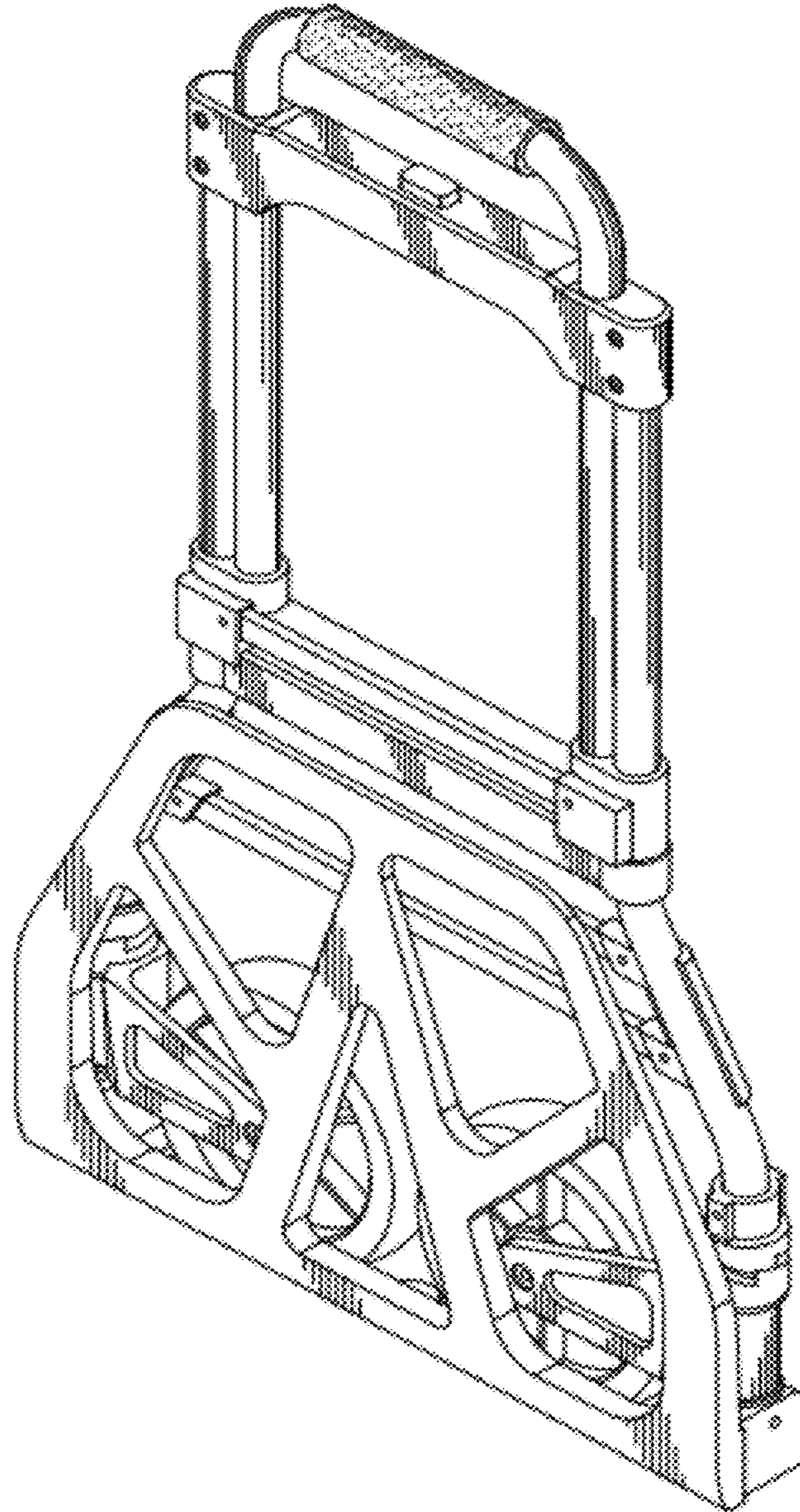


FIG. 8