

US00D664731S

(12) **United States Design Patent**  
**Martin et al.**

(10) **Patent No.:** **US D664,731 S**  
(45) **Date of Patent:** **\*\* Jul. 31, 2012**

(54) **EXPANDABLE MOBILE DISPLAY SALES CART**

(76) Inventors: **Douglas S. Martin**, New Castle, PA (US); **Melinda L. Martin**, New Castle, PA (US)

(\*\*) Term: **14 Years**

(21) Appl. No.: **29/374,617**

(22) Filed: **Sep. 10, 2011**

(51) **LOC (9) Cl.** ..... **12-02**

(52) **U.S. Cl.** ..... **D34/14**

(58) **Field of Classification Search** ..... D34/12-27;  
D6/436, 474; 280/47.34, 47.35, 79.11, 79.2,  
280/79.3

See application file for complete search history.

(56) **References Cited**

U.S. PATENT DOCUMENTS

1,959,926	A	5/1934	Reich	
D201,964	S *	8/1965	Carlson	D6/438
D202,337	S *	9/1965	Vaughan	D34/20
3,260,561	A	7/1966	Trakman	
3,295,634	A	1/1967	Buchbinder	
D219,720	S	1/1971	Maisak	
3,628,807	A	12/1971	Fullington	
D224,059	S	6/1972	Maisak	
3,690,118	A	9/1972	Rainwater	
3,879,053	A	4/1975	Chvala	
4,034,572	A	7/1977	Morris	
D247,081	S	1/1978	Davis	
4,159,831	A	7/1979	Schorr	
4,411,367	A	10/1983	Bustos	

(Continued)

OTHER PUBLICATIONS

U.S. Appl. No. 11/593,489, filed Nov. 7, 2006, Miles Anthony Konopka.

(Continued)

Primary Examiner — Cynthia Ramirez

(57) **CLAIM**

The ornamental design for an expandable mobile display sales cart, as shown and described.

**DESCRIPTION**

FIG. 1 is a perspective view of the expandable mobile display sales cart in the mobile/storage position showing my new design;

FIG. 2 is a front elevation view of an expandable mobile display sales cart thereof; the view is the same for the display position and the mobile/storage position;

FIG. 3 is a left side elevation view of an expandable mobile display sales cart in the mobile/storage position thereof, with the opposite side being a mirror image;

FIG. 4 is a top plan view of an expandable mobile display sales cart in the mobile/storage position thereof;

FIG. 5 is a bottom plan view of an expandable mobile display sales cart in the mobile/storage position thereof;

FIG. 6 is a rear elevation view of an expandable mobile display sales cart thereof; the view is the same for the display position and the mobile/storage position;

FIG. 7 is a perspective view of an expandable mobile display sales cart in the display position with the lower container crates not pulled out thereof;

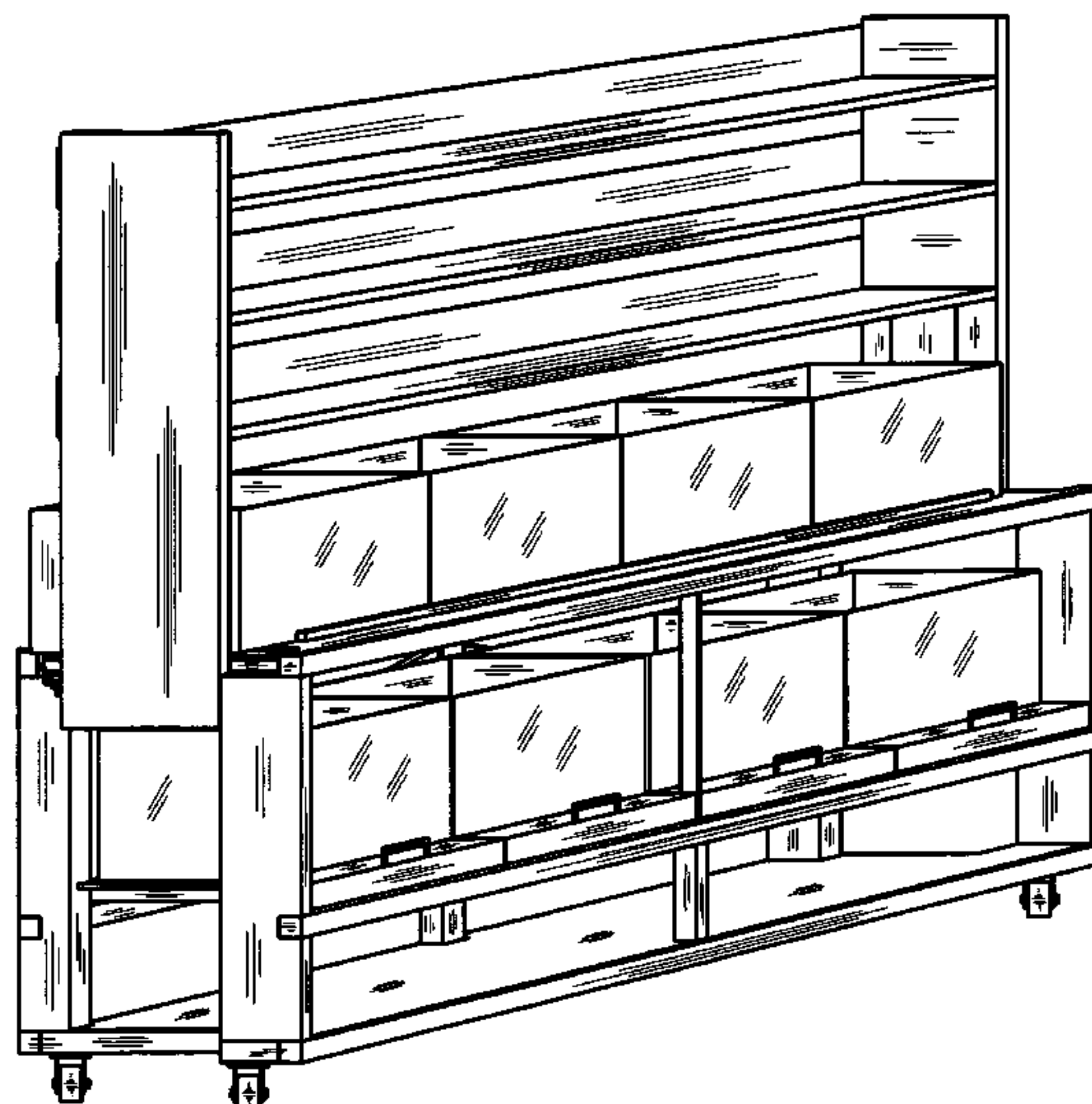
FIG. 8 is a left side elevation view of an expandable mobile display sales cart in the display position with the lower container crates not pulled out thereof, with the opposite side being a mirror image;

FIG. 9 is a top plan view of an expandable mobile display sales cart in the display position with the lower container crates not pulled out thereof;

FIG. 10 is a perspective view of an expandable mobile display sales cart in the display position with a one lower container crate pulled out to the expanded position thereof; and,

FIG. 11 is a left side elevation view of an expandable mobile display sales cart in the display position with a one lower container crate pulled out to the expanded position thereof; with the opposite side being a mirror image.

**1 Claim, 5 Drawing Sheets**



# US D664,731 S

Page 2

---

## U.S. PATENT DOCUMENTS

D277,626 S 2/1985 Evans  
4,793,497 A 12/1988 Hall  
D318,194 S 7/1991 Terrell  
D323,944 S \* 2/1992 Maas ..... D6/436  
D326,023 S \* 5/1992 Hurn ..... D6/438  
D344,419 S 2/1994 Stoddard  
5,718,441 A 2/1998 Kern  
D409,810 S \* 5/1999 Ambrose ..... D34/20  
D455,881 S \* 4/2002 Arvans ..... D34/21

6,460,950 B2 10/2002 Spitzer  
D501,284 S \* 1/2005 Mount ..... D34/14  
6,951,283 B2 10/2005 Savole  
D610,832 S \* 3/2010 Rheault ..... D6/436  
7,766,348 B2 8/2010 McFarland

## OTHER PUBLICATIONS

U.S. Appl. No. 10/335,607, filed Jul. 8, 2004, Gene Ronald LeClere.

\* cited by examiner

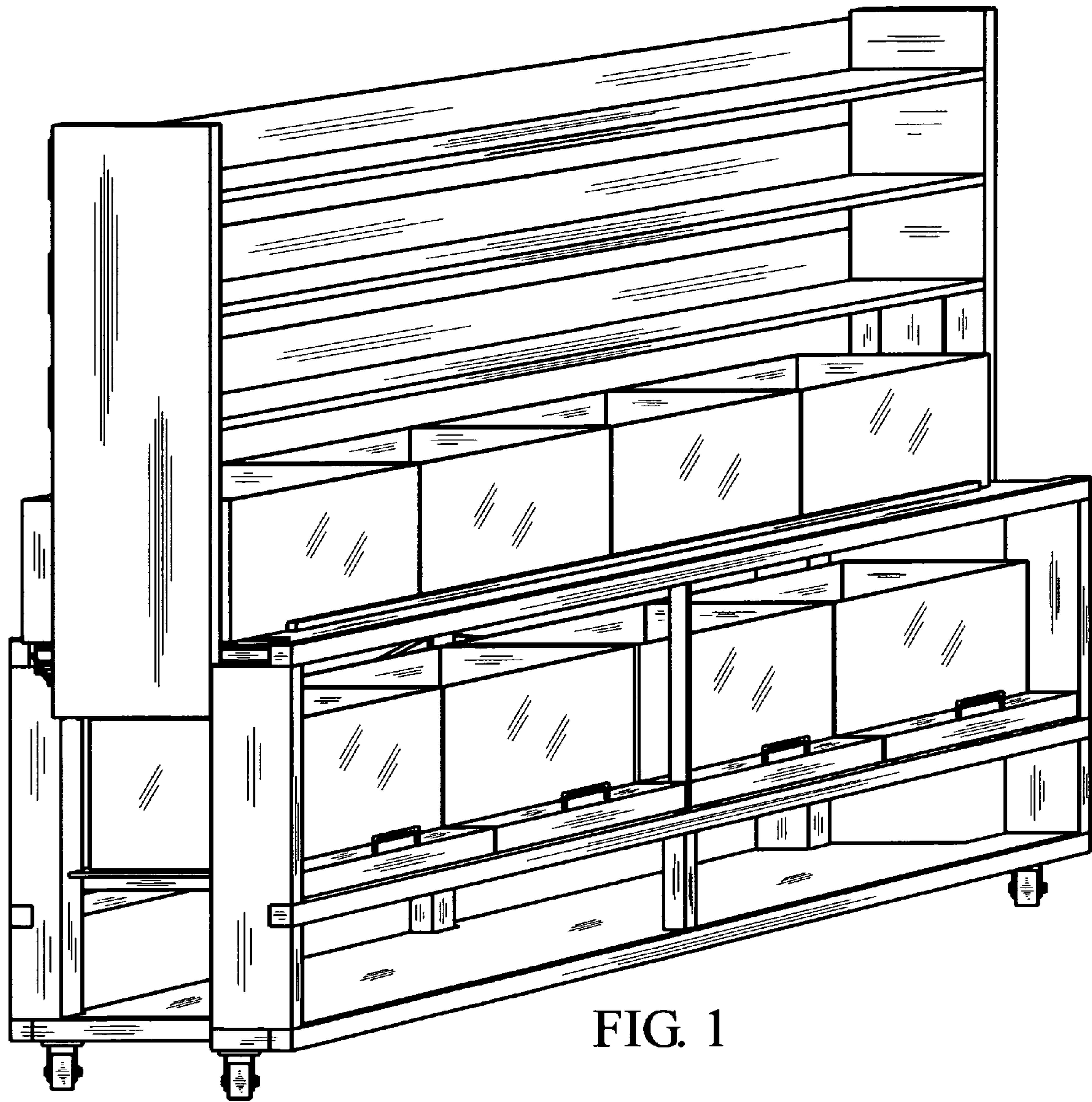


FIG. 1

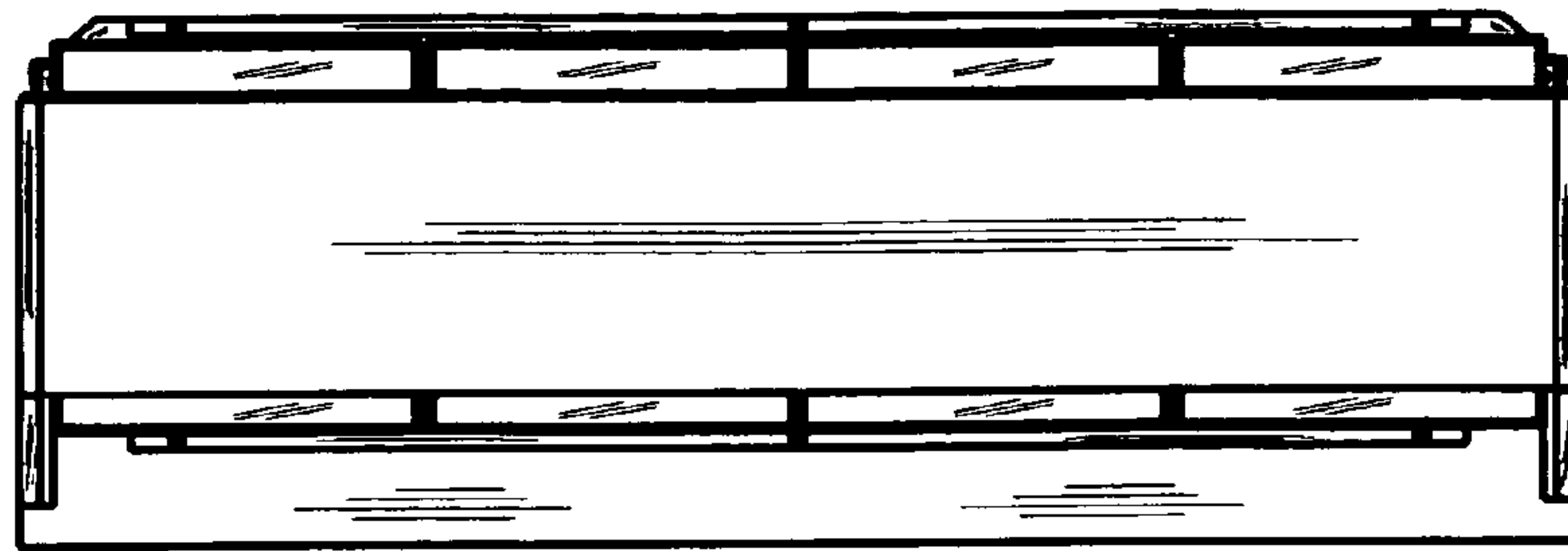


FIG. 4

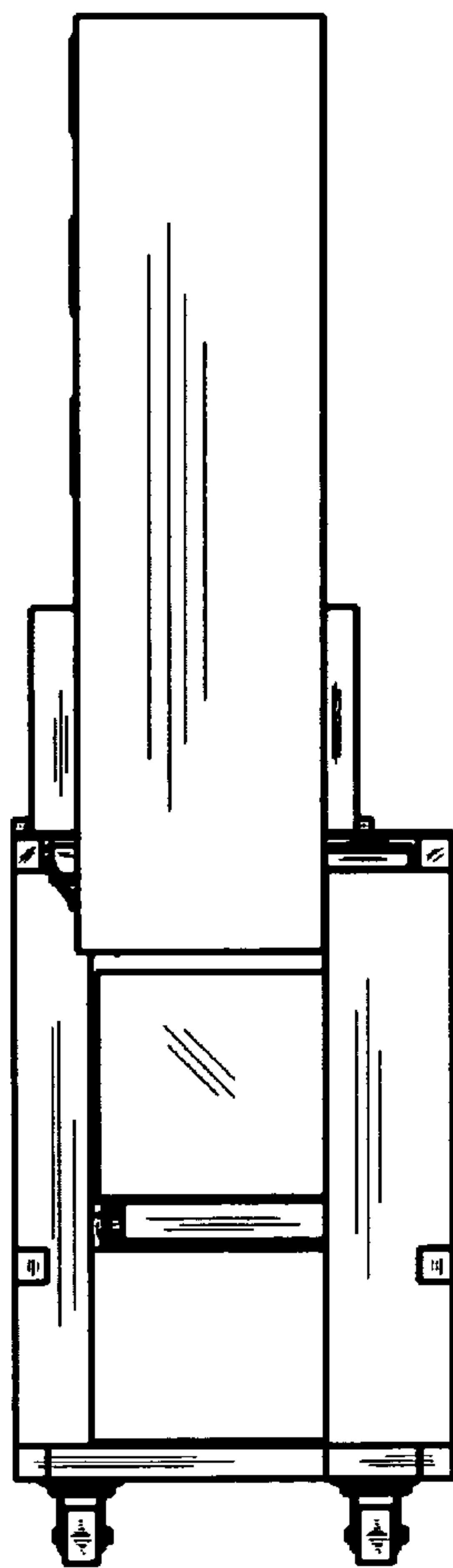


FIG. 3

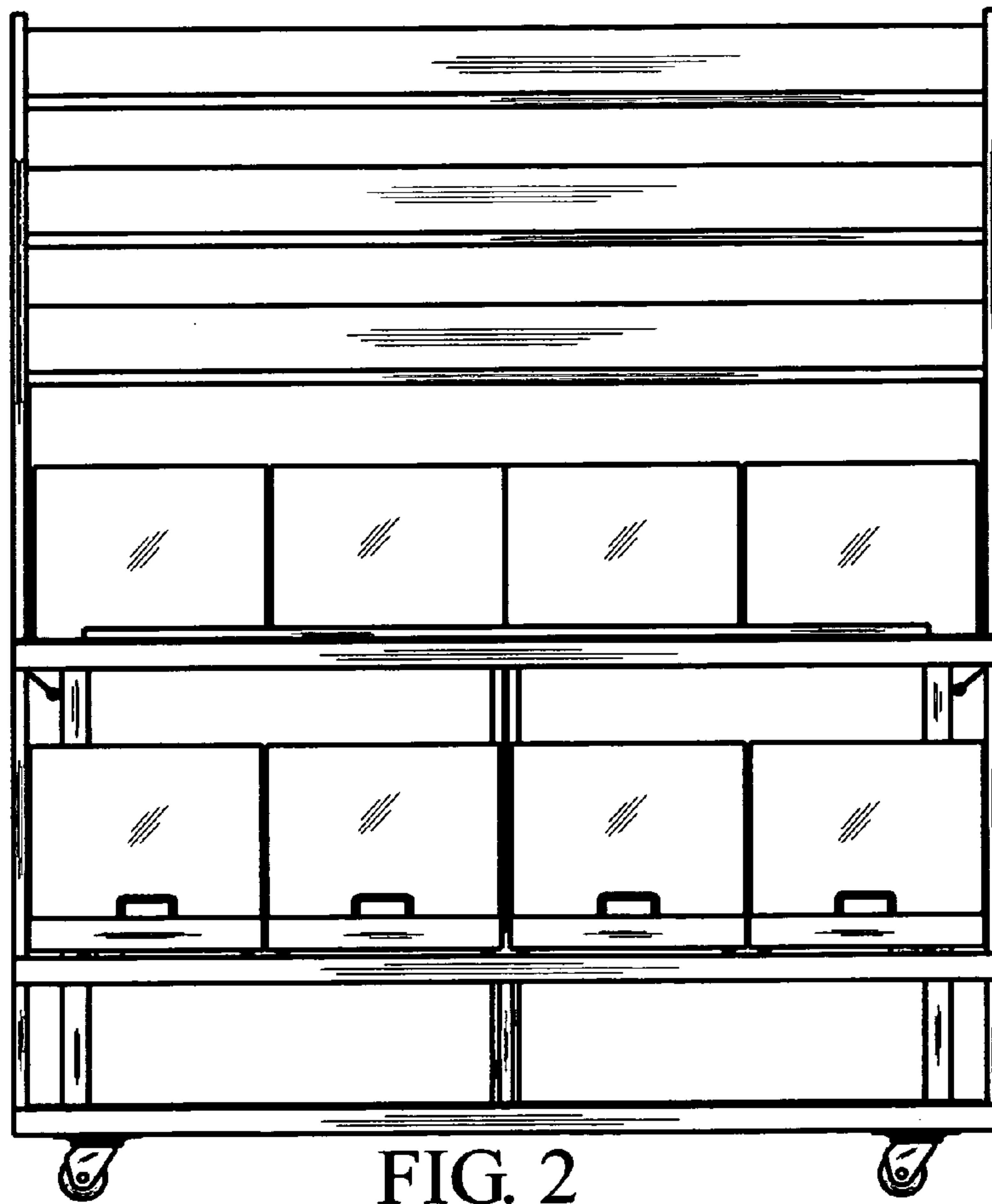
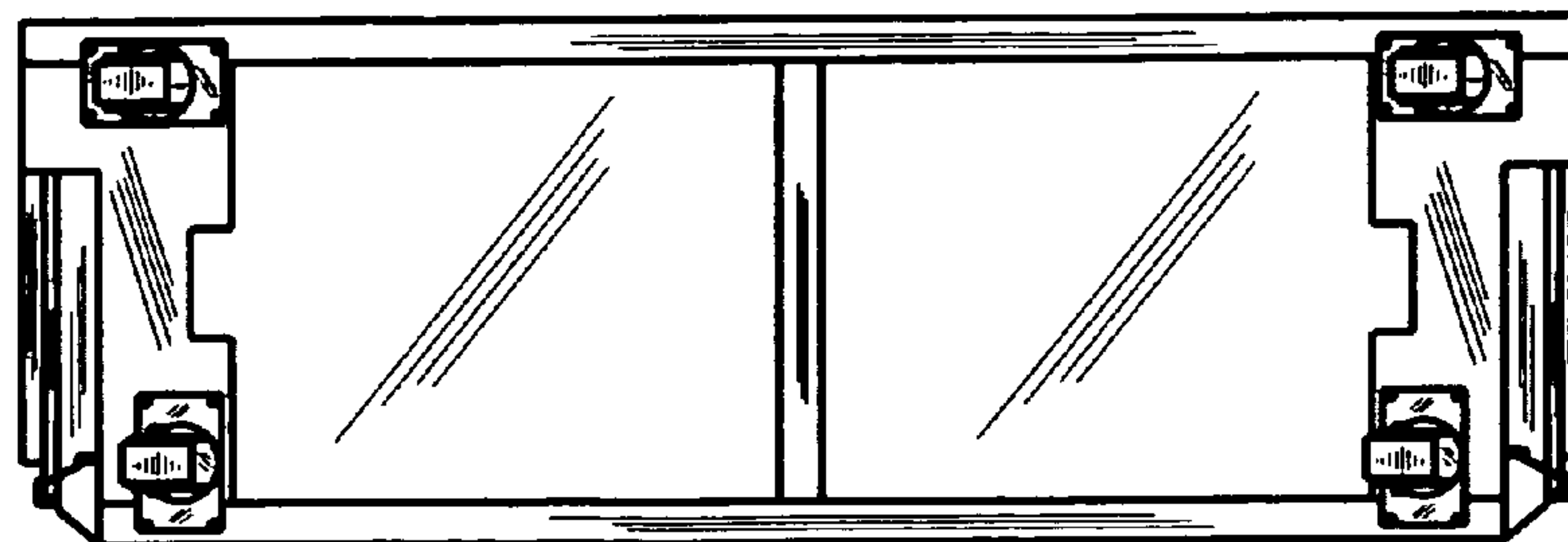


FIG. 2

FIG. 5





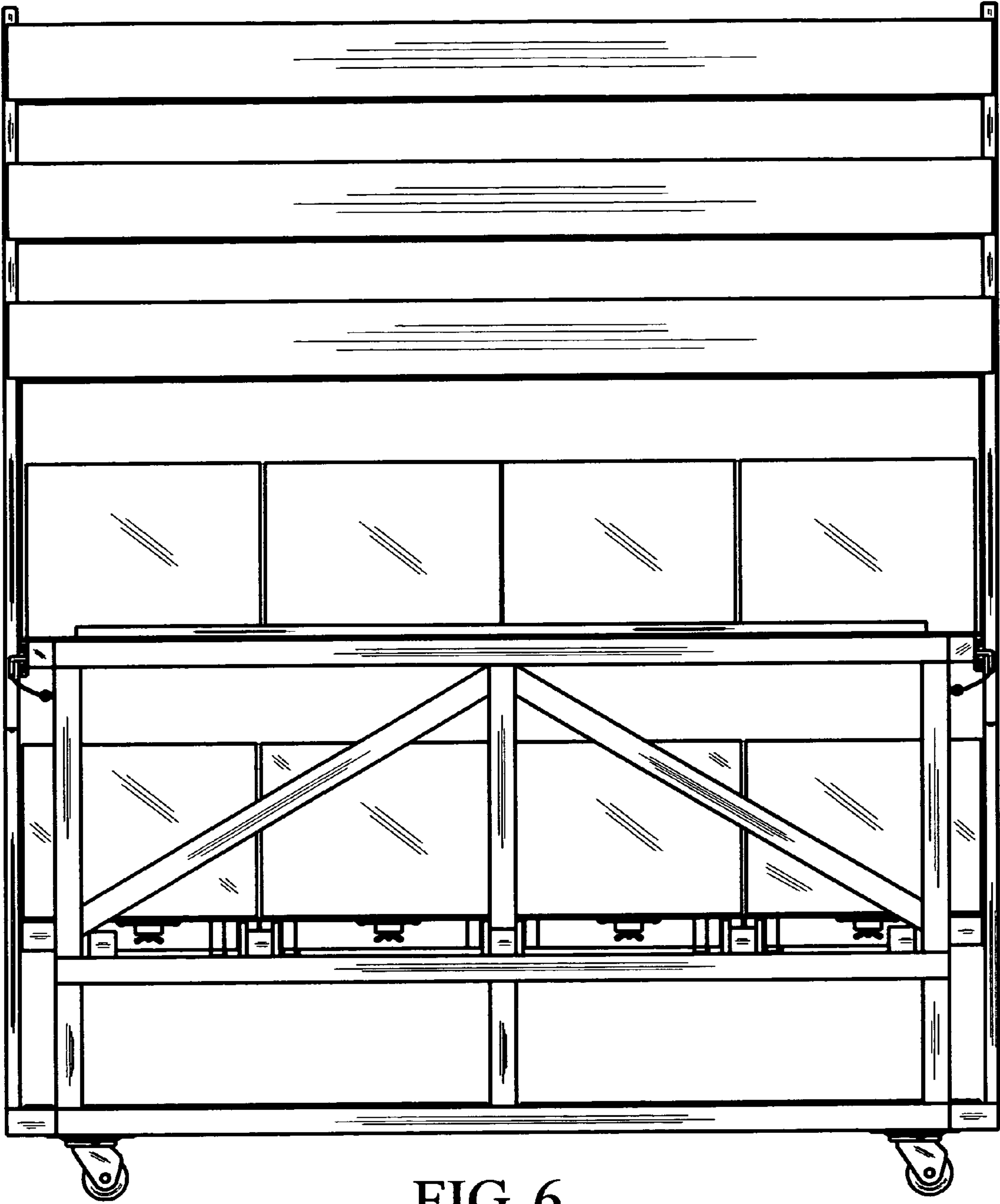


FIG. 6

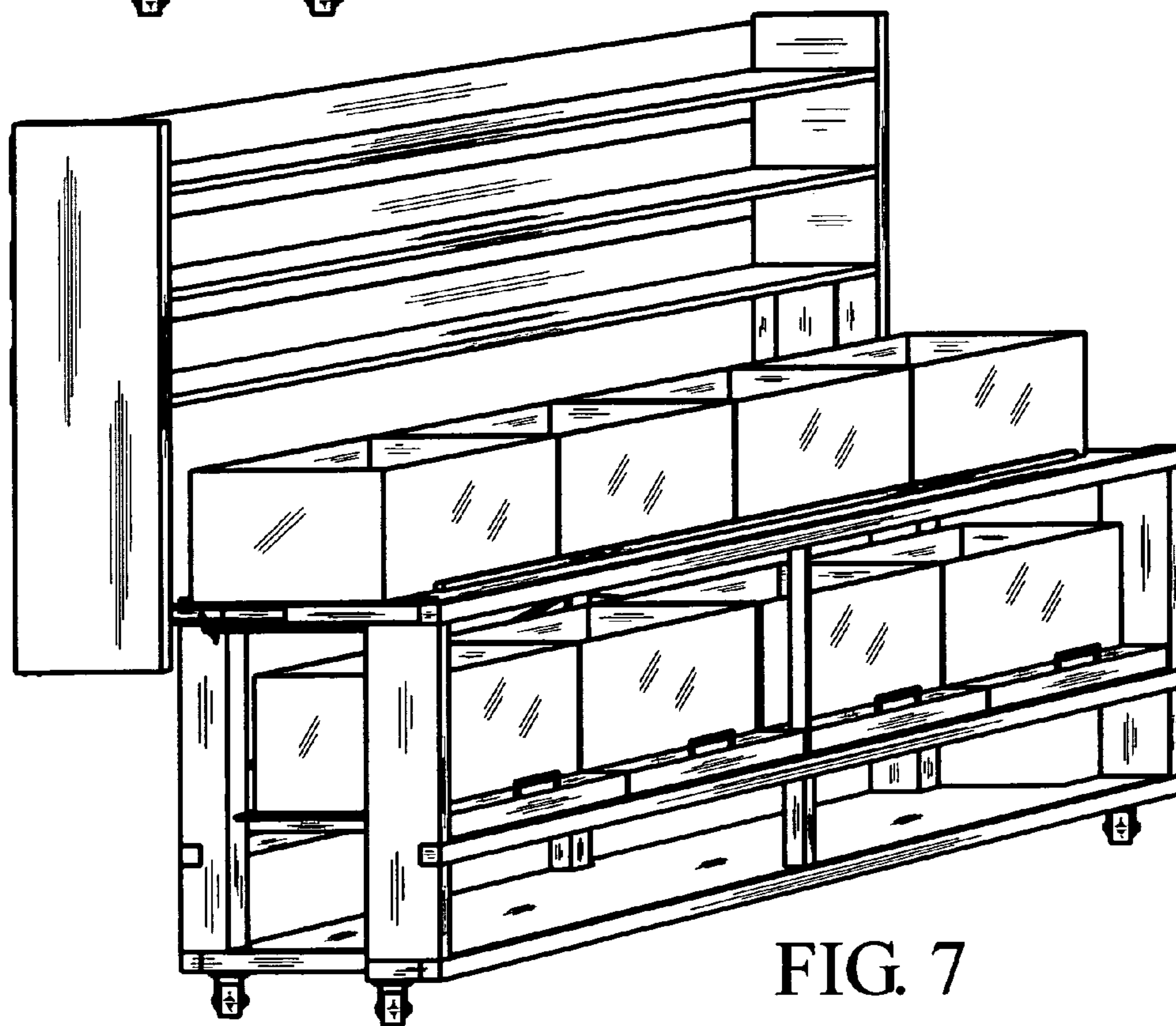
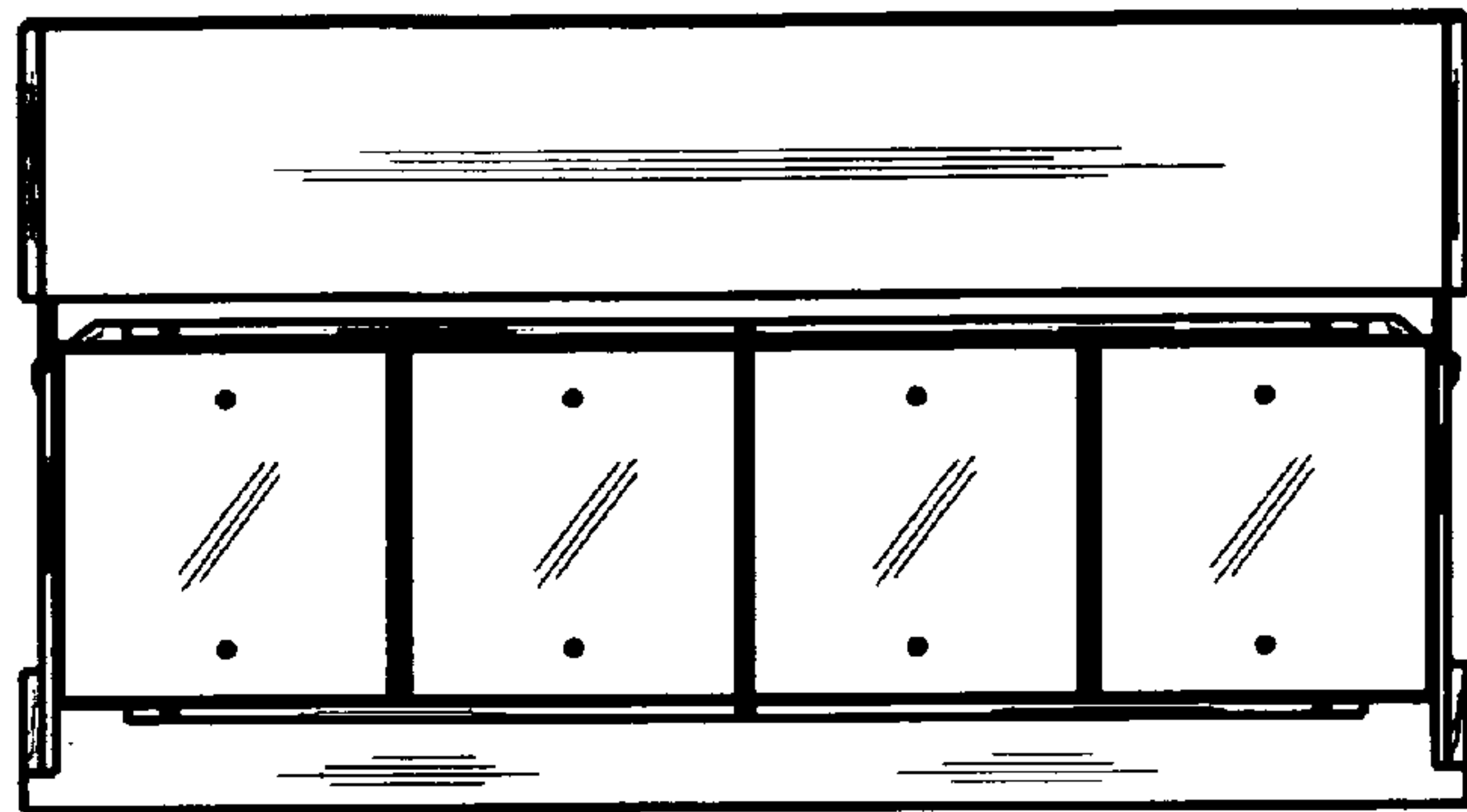
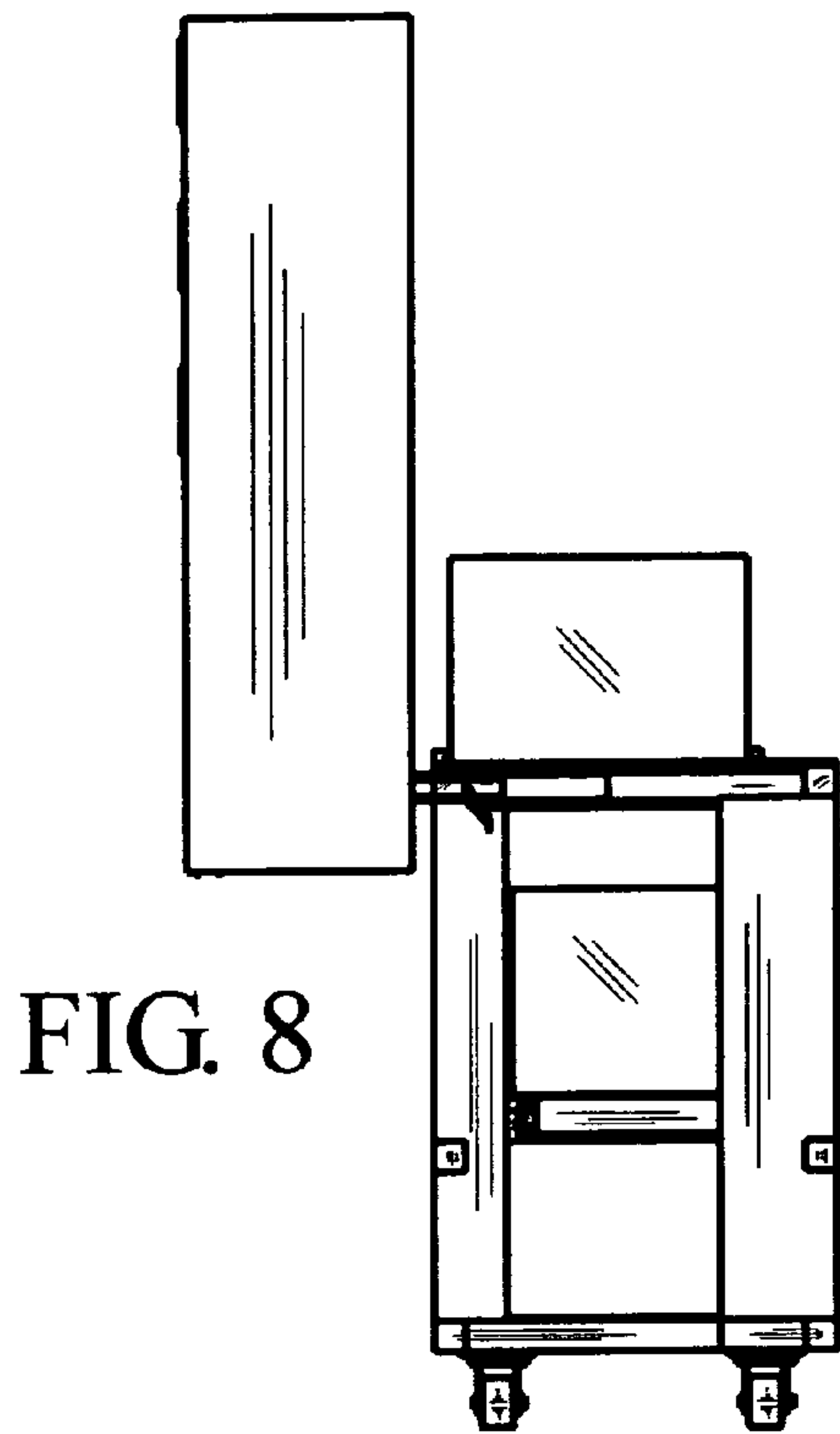


FIG. 8

FIG. 9

FIG. 7

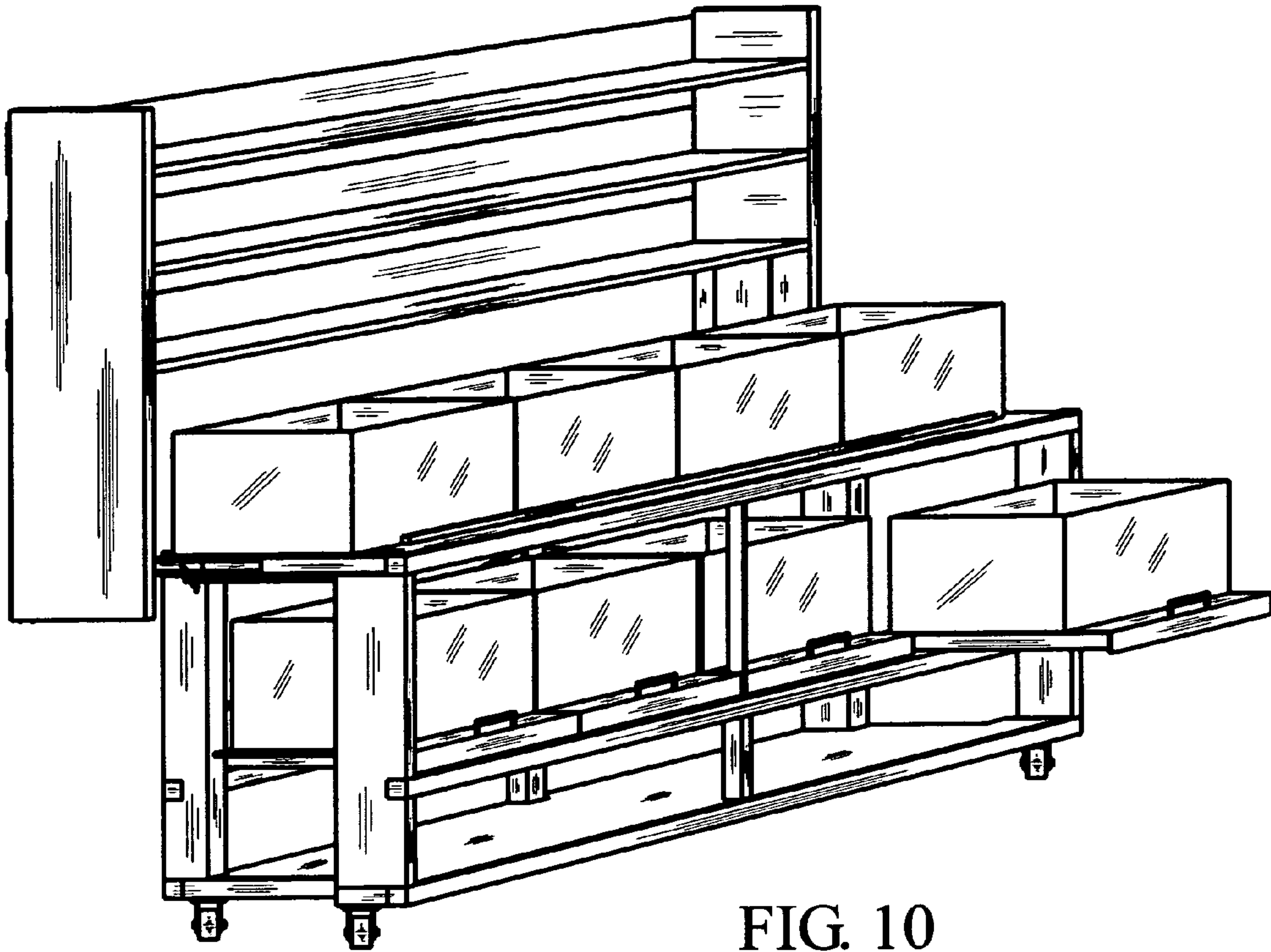


FIG. 10

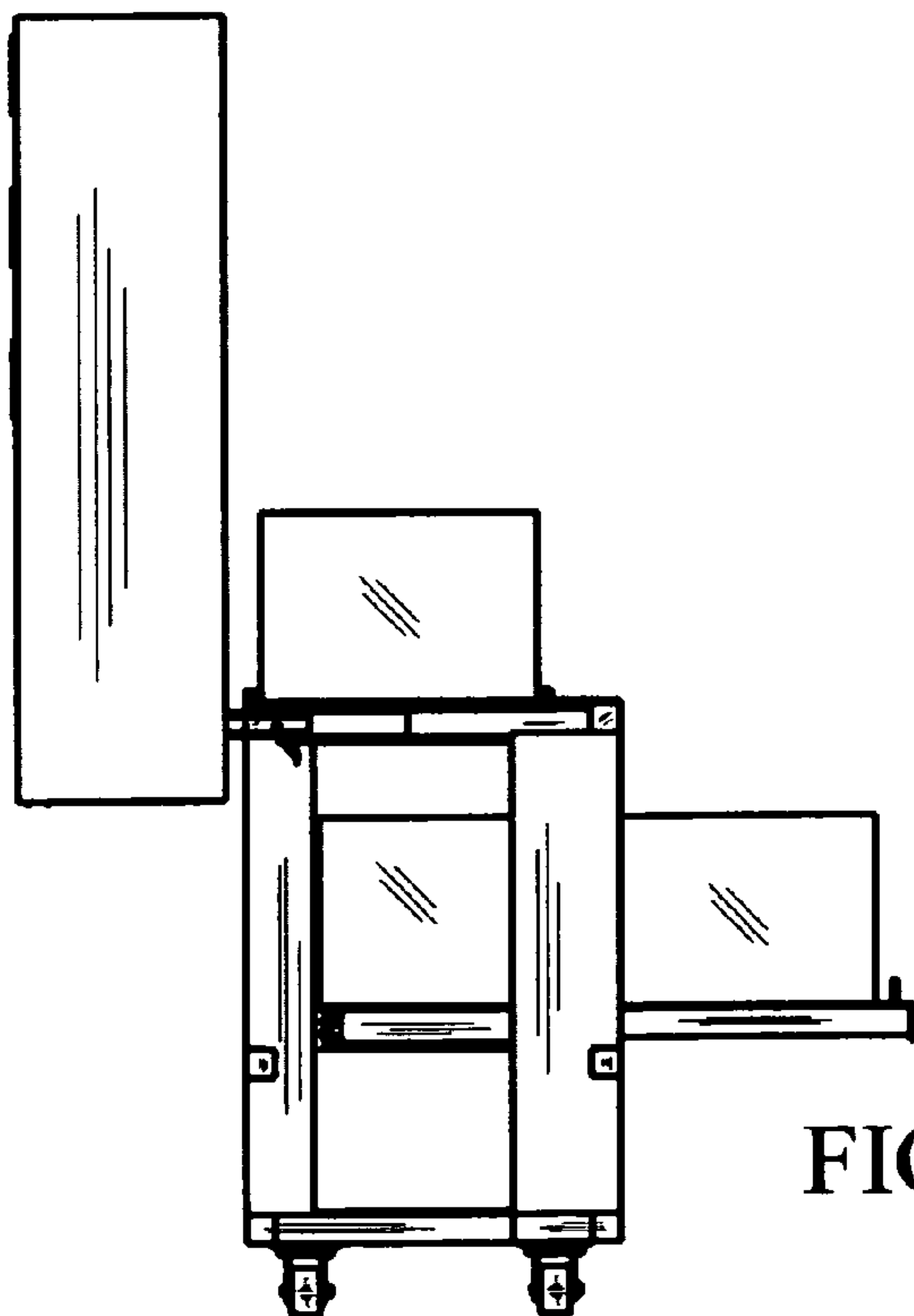


FIG. 11