

US00D664726S

(12) **United States Design Patent**
McCarthy et al.

(10) **Patent No.:** **US D664,726 S**
(45) **Date of Patent:** **** Jul. 31, 2012**

(54) **PORTABLE VACUUM FOR PET EXCREMENT**

(76) Inventors: **Judith A. McCarthy**, Orlando, FL (US);
Peter J. Carter, Jr., Beverly, MA (US)

(**) Term: **14 Years**

(21) Appl. No.: **29/406,017**

(22) Filed: **Nov. 9, 2011**

(51) **LOC (9) Cl.** **15-05**

(52) **U.S. Cl.** **D32/18**

(58) **Field of Classification Search** D32/17-18,
D32/22, 31, 21, 24; 15/320-321, 350-354,
15/415.1-422, 329, 344, 361, 410-411, 347,
15/1.7, DIG. 1; 55/DIG. 3; 294/1.3
See application file for complete search history.

(56) **References Cited**

U.S. PATENT DOCUMENTS

3,477,087	A	11/1969	Robinson	
4,185,355	A	1/1980	Williams	
4,478,448	A	10/1984	Albert	
D309,049	S *	7/1990	Sid et al.	D30/158
4,939,810	A *	7/1990	Ataka	15/347
D314,650	S *	2/1991	Pudwill	D32/18
D315,622	S	3/1991	deBlois et al.	
5,335,952	A	8/1994	Clapper	
5,661,873	A	9/1997	Karet	

5,771,531	A	6/1998	Swartz	
6,115,879	A	9/2000	Mitchell	
D444,924	S *	7/2001	Henning	D30/158
D512,803	S *	12/2005	Kendrick	D32/18
7,003,846	B2 *	2/2006	Holtz	15/344
7,077,172	B2	7/2006	Perkitny et al.	
D528,253	S *	9/2006	Wu et al.	D32/18
7,404,230	B1 *	7/2008	Phillips	15/344
D608,961	S *	1/2010	Reese et al.	D32/18
2002/0189047	A1 *	12/2002	Nakabayashi	15/344
2007/0113371	A1 *	5/2007	Cho	15/344
2008/0030032	A1 *	2/2008	Gill	294/1.3

* cited by examiner

Primary Examiner — Ruth McInroy

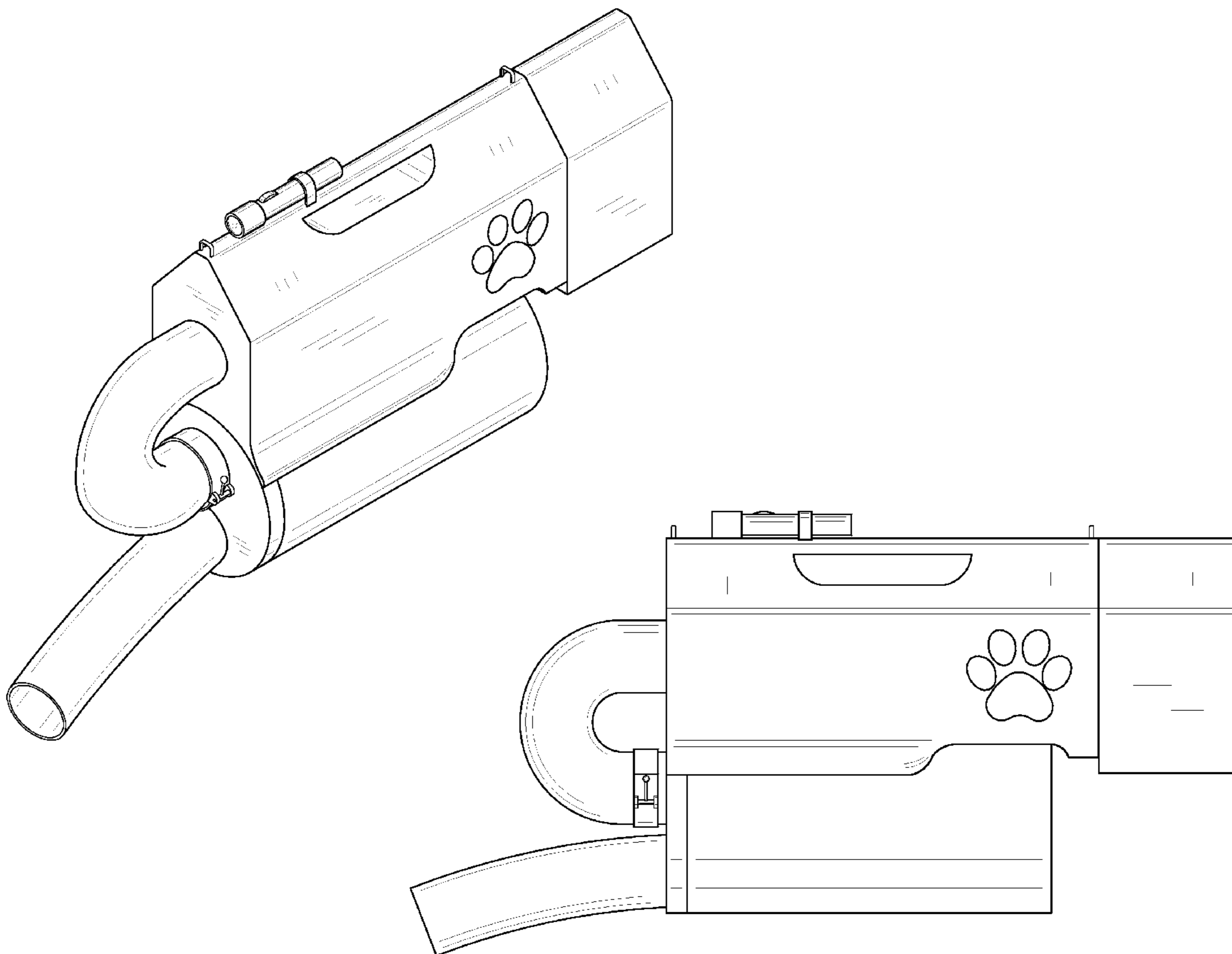
(57) **CLAIM**

The ornamental design for a portable vacuum for pet excrement, as shown and described.

DESCRIPTION

FIG. 1 is a perspective view of a portable vacuum for pet excrement showing my new design;
FIG. 2 is a side view thereof;
FIG. 3 is another side view thereof;
FIG. 4 is a front view thereof;
FIG. 5 is a back view thereof;
FIG. 6 is a top view thereof;
FIG. 7 is a bottom view thereof; and,
FIG. 8 is a bottom perspective view thereof.

1 Claim, 6 Drawing Sheets



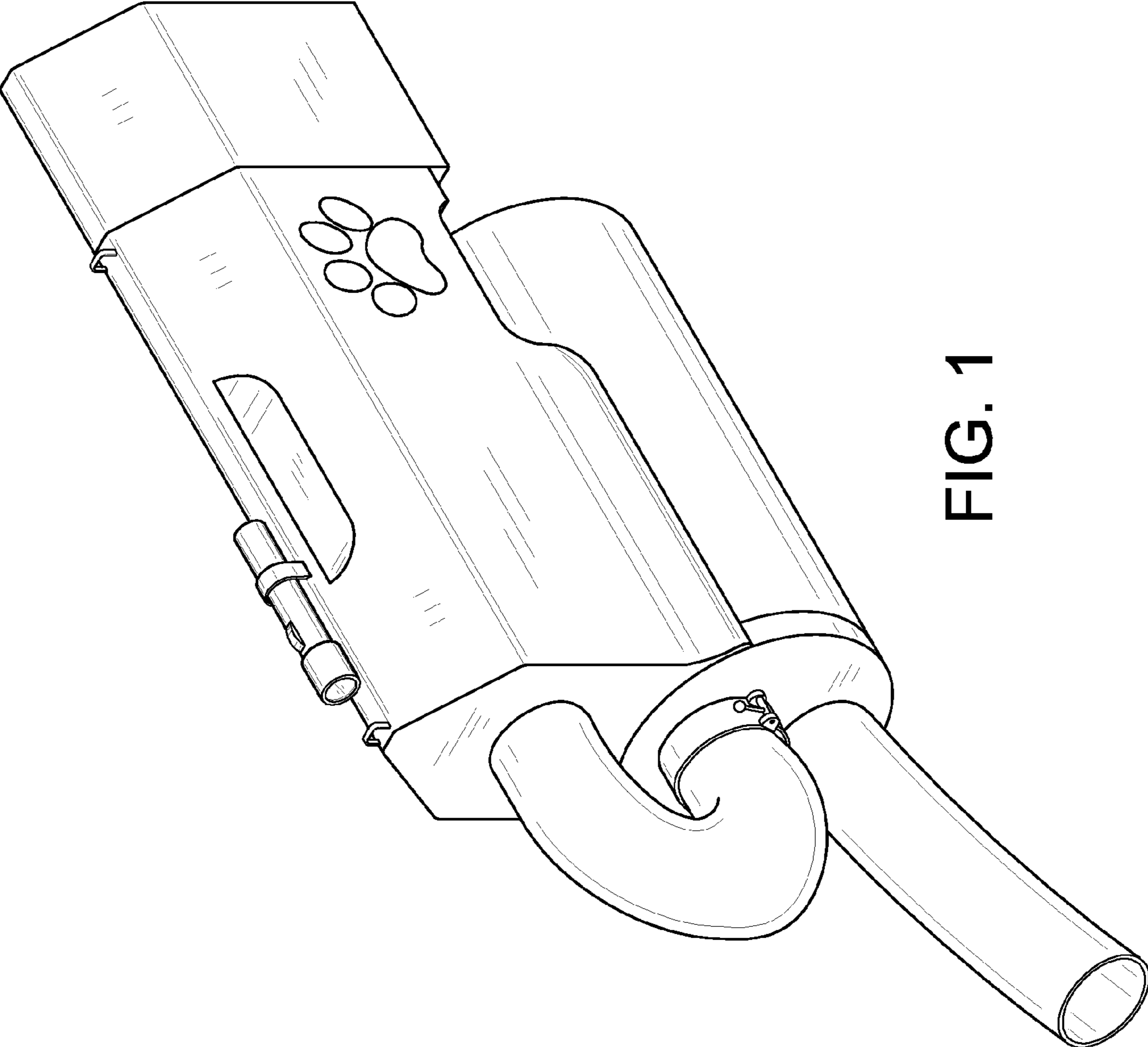


FIG. 1

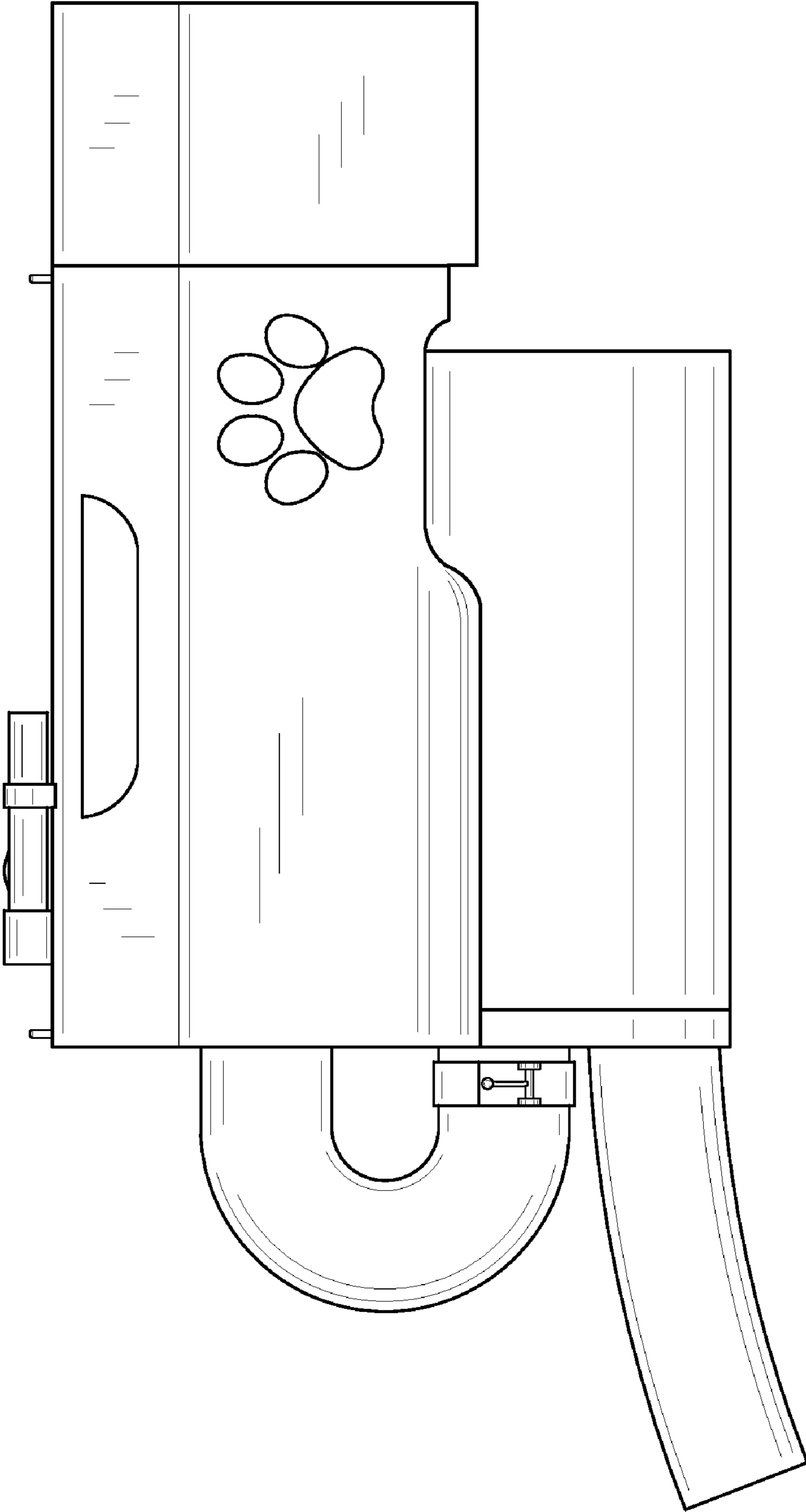


FIG. 2

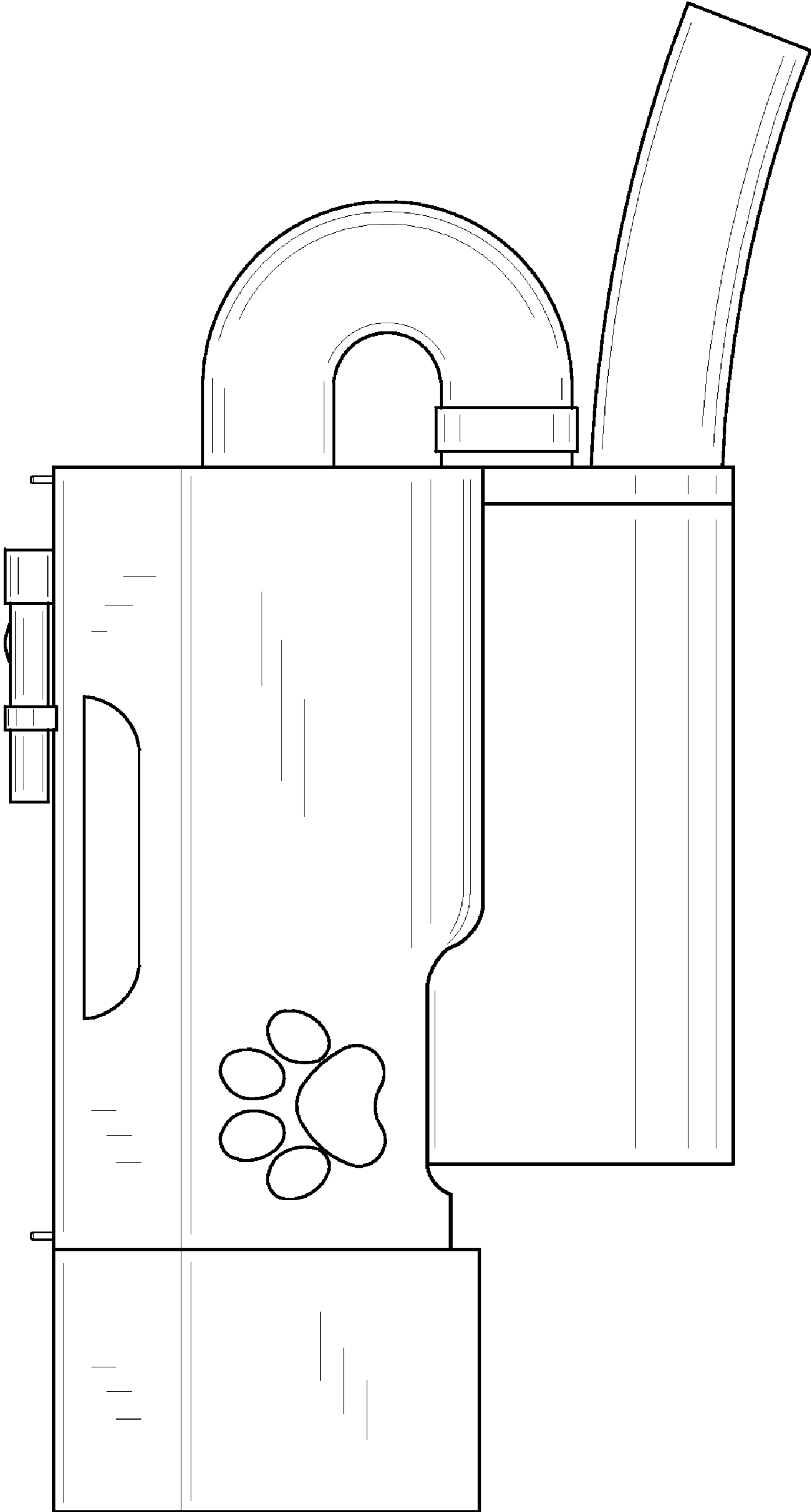


FIG. 3

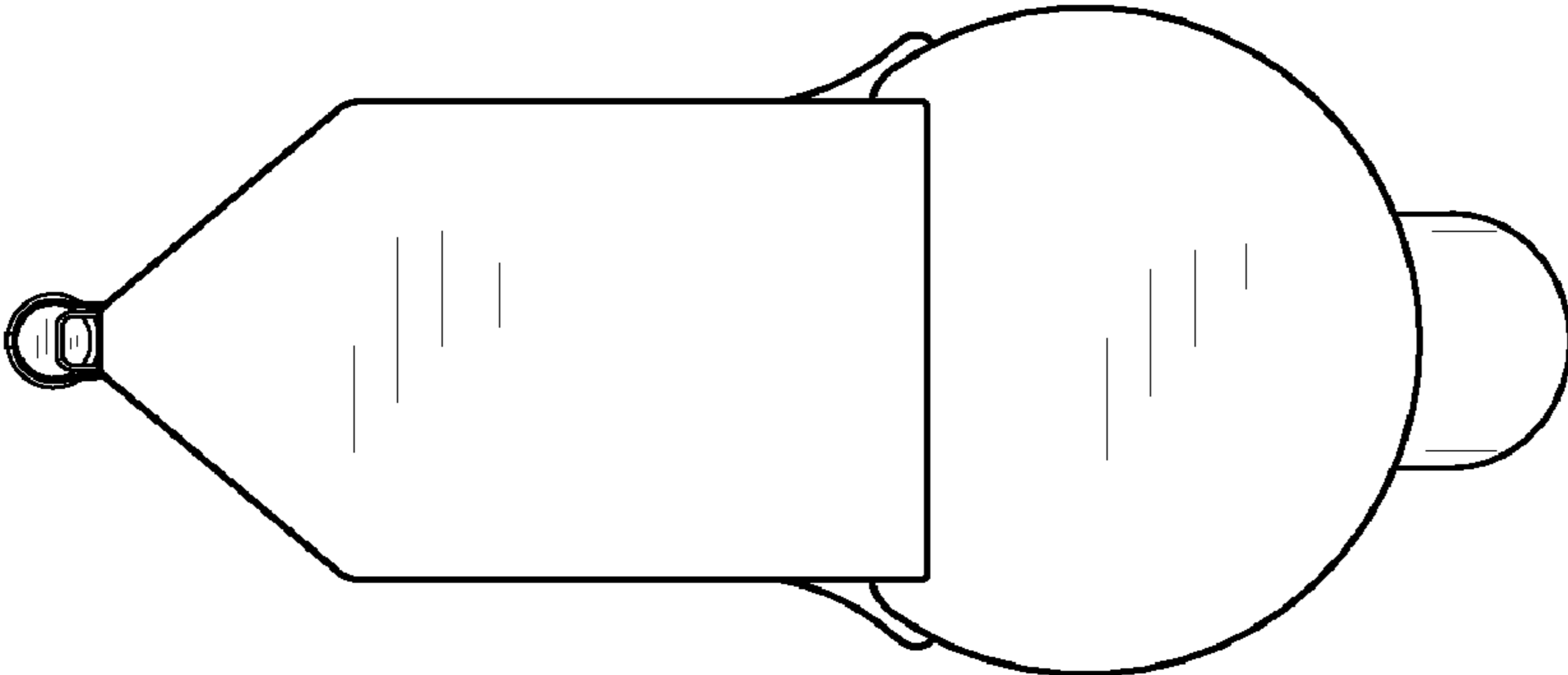


FIG. 5

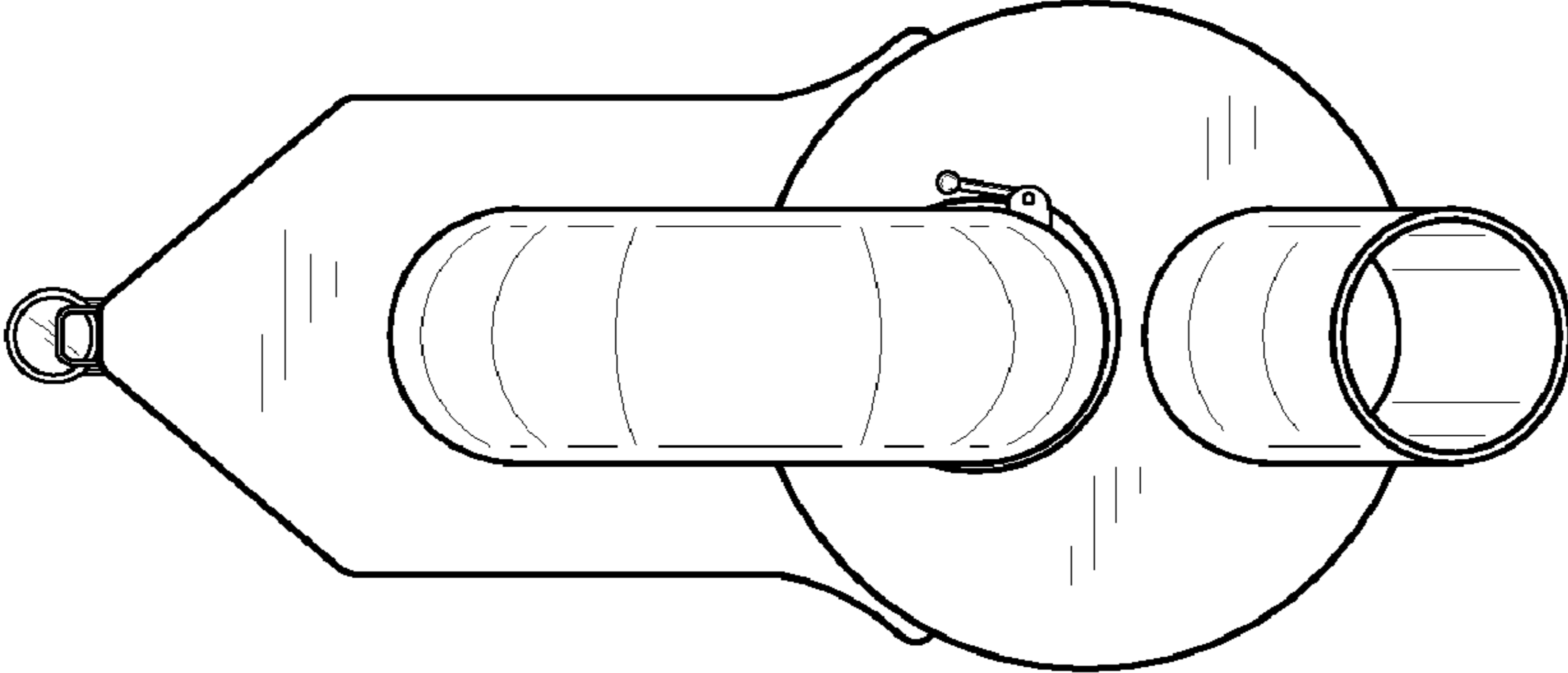


FIG. 4

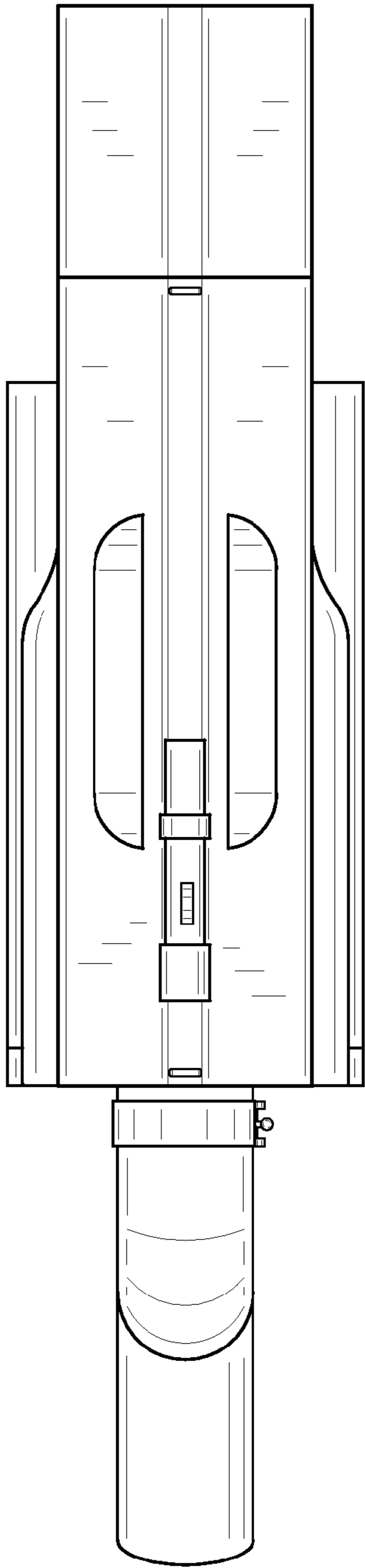


FIG. 6

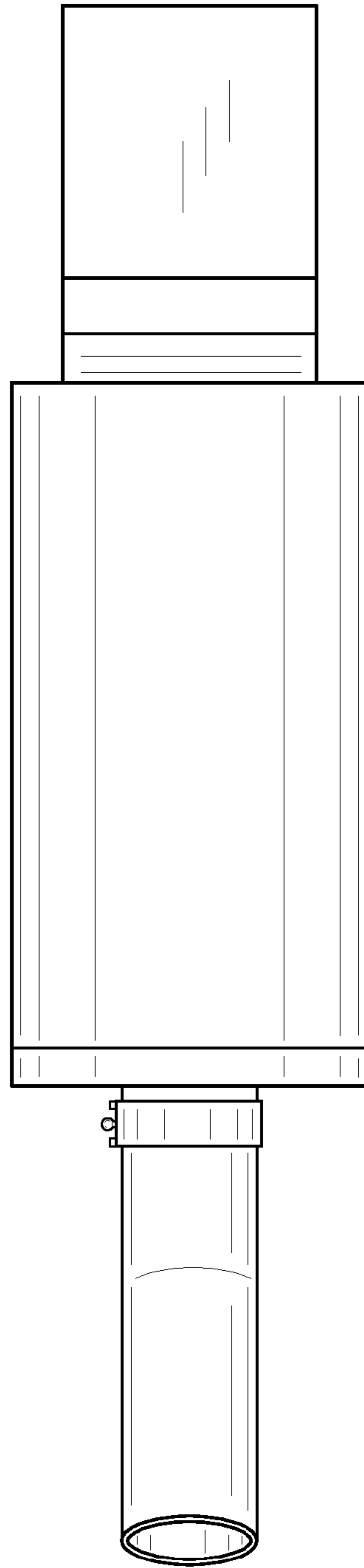


FIG. 7

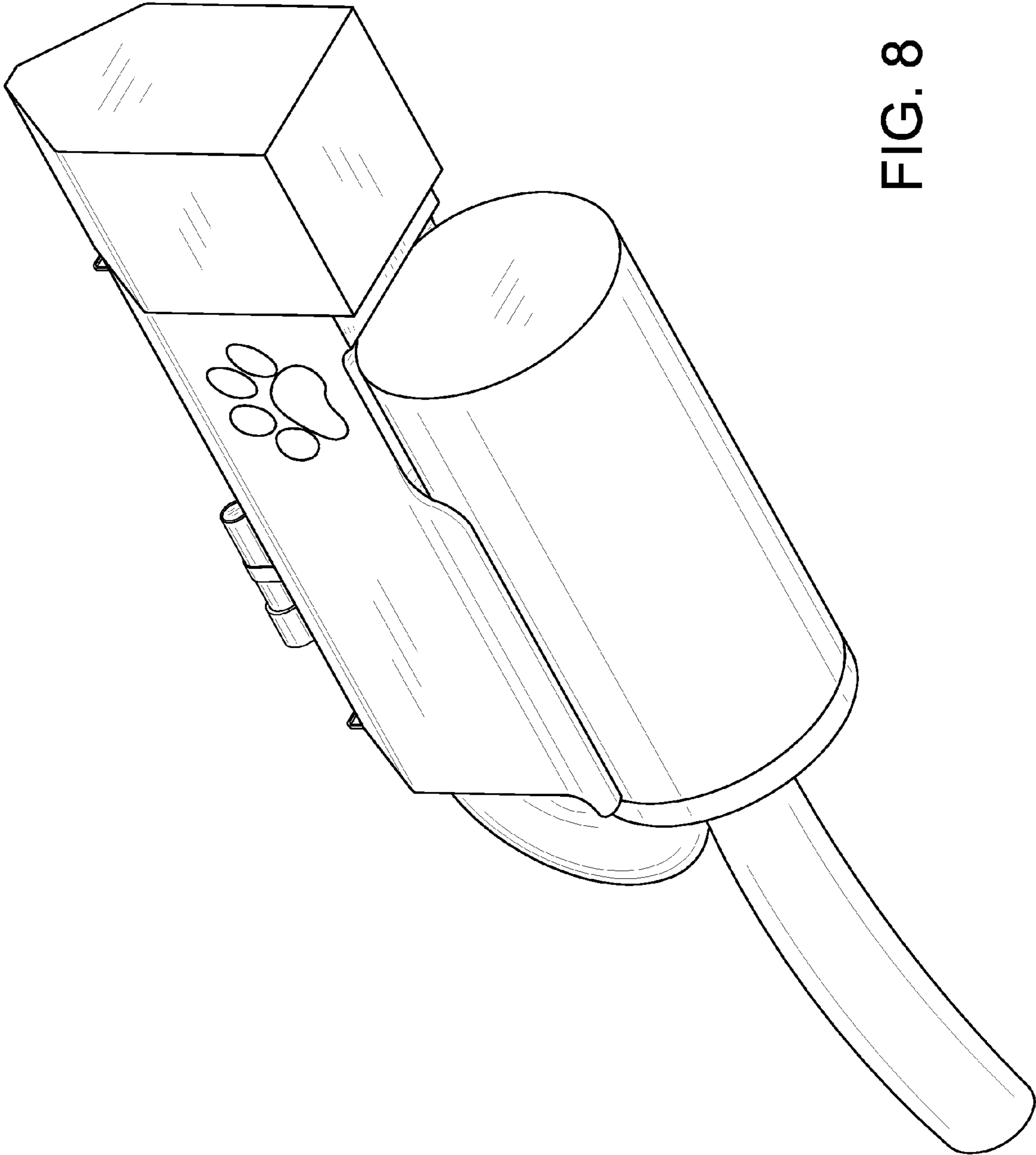


FIG. 8