

US00D664724S

(12) **United States Design Patent**
Chen

(10) **Patent No.:** **US D664,724 S**
(45) **Date of Patent:** **** Jul. 31, 2012**

(54) **PRESSURE WASHER WITH TWO TANKS**

(75) Inventor: **Karen Chen**, Tsimshatsui (HK)

(73) Assignee: **Power Plus Products, Ltd.**, Hong Kong (CN)

(**) Term: **14 Years**

(21) Appl. No.: **29/367,317**

(22) Filed: **Aug. 5, 2010**

(30) **Foreign Application Priority Data**

May 27, 2010 (CN) 2010 3 0185413

(51) **LOC (9) Cl.** **15-05**

(52) **U.S. Cl.** **D32/15**

(58) **Field of Classification Search** D32/15-16,
D32/17-18, 1, 21; D23/225; 15/315, 320-321,
15/340.1, 344-345, 412, 414, 415.1; 239/146-149,
239/515, 722; 417/360, 364

See application file for complete search history.

(56) **References Cited**

U.S. PATENT DOCUMENTS

D338,292 S *	8/1993	Schmitz et al.	D32/21
D355,283 S *	2/1995	Thomas et al.	D32/24
5,937,476 A *	8/1999	Kim	15/323
D422,763 S *	4/2000	Tsuda	D32/21
D445,973 S *	7/2001	Chen	D32/21

(Continued)

Primary Examiner — T. Chase Nelson
Assistant Examiner — Kathleen M Sims

(74) *Attorney, Agent, or Firm* — Byrne Poh LLP

(57) **CLAIM**

I claim the ornamental design for a pressure washer with two tanks, as shown and described.

DESCRIPTION

FIG. 1 is a right side view of a pressure washer with two tanks and with a handle in an inserted position.

FIG. 2 is a right side view of the pressure washer shown in FIG. 1 with the handle in an extended position.

FIG. 3 is a front side view of the pressure washer shown in FIG. 1 with the handle in the inserted position.

FIG. 4 is a front side view of the pressure washer shown in FIG. 1 with the handle in the extended position.

FIG. 5 is a bottom plan view of the pressure washer shown in FIG. 1 with the handle in the inserted position.

FIG. 6 is a bottom plan view of the pressure washer shown in FIG. 1 with the handle in the extended position.

FIG. 7 is a left side view of the pressure washer shown in FIG. 1 with the handle in the inserted position.

FIG. 8 is a left side view of the pressure washer shown in FIG. 1 with the handle in the extended position.

FIG. 9 is a rear view of the pressure washer shown in FIG. 1 with the handle in the inserted position.

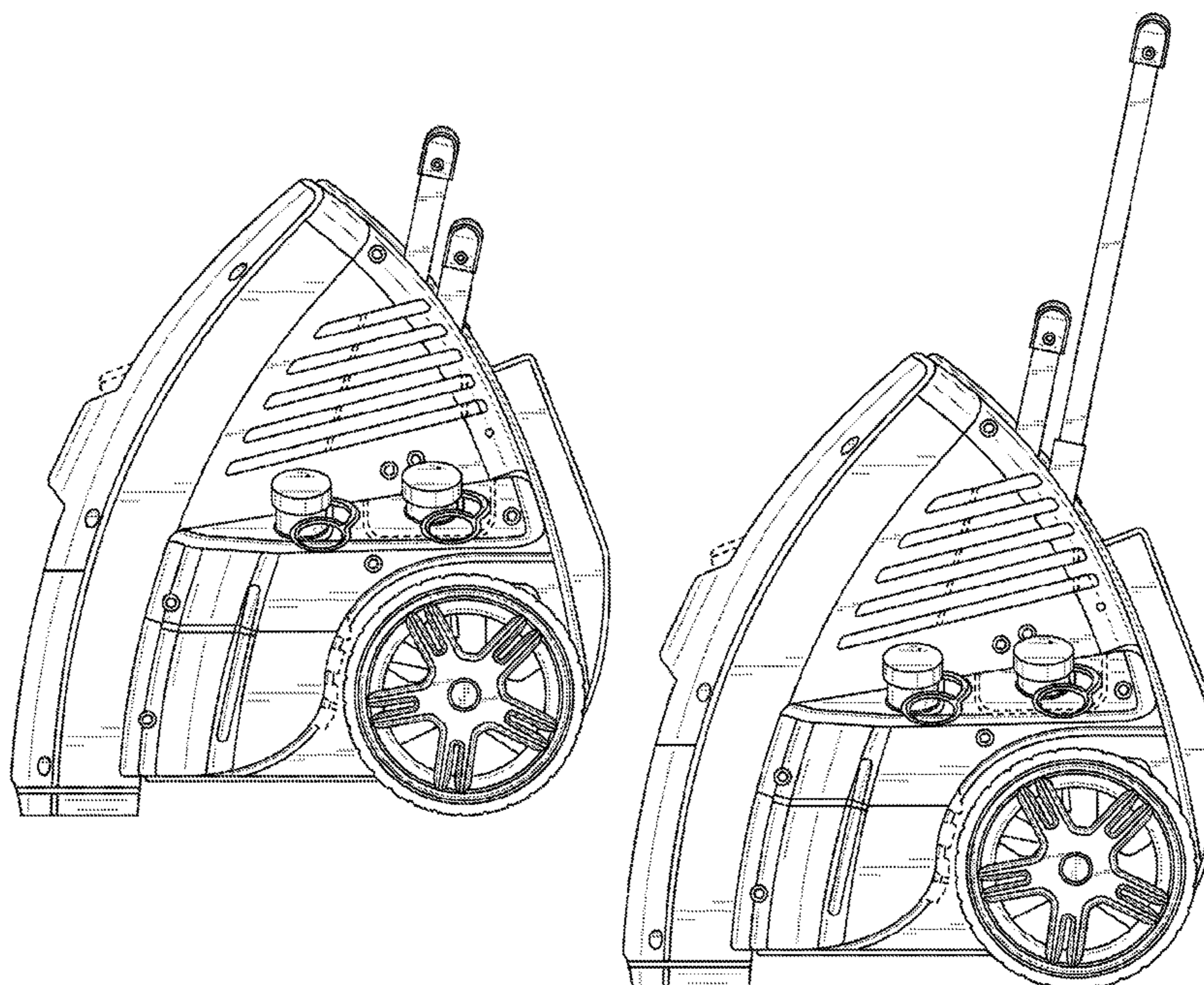
FIG. 10 is a rear view of the pressure washer shown in FIG. 1 with the handle in the extended position.

FIG. 11 is a top plan view of the pressure washer shown in FIG. 1 with the handle in the inserted position; and,

FIG. 12 is a top plan view of the pressure washer shown in FIG. 1 with the handle in the extended position.

The broken lines showing surface features of the pressure washer or internal components within the pressure washer are for illustrative purposes only and form no part of the claimed design.

1 Claim, 12 Drawing Sheets



US D664,724 S

Page 2

U.S. PATENT DOCUMENTS

D452,594 S *	12/2001	Rosa	D32/21	D547,014 S *	7/2007	Chen	D32/15
D471,682 S *	3/2003	Chen	D32/21	D550,719 S *	9/2007	Berchiolla	D15/9
D499,517 S *	12/2004	Chen	D32/17	D565,810 S *	4/2008	Alexander	D32/15
6,865,773 B2 *	3/2005	Tsen	15/323	D643,166 S *	8/2011	Lee	D32/21
D505,526 S *	5/2005	Tsen	D32/21	D652,185 S *	1/2012	Mu	D32/21
D523,597 S *	6/2006	Lee	D32/15	2003/0106180 A1 *	6/2003	Tsen	15/321
D537,215 S *	2/2007	Foersterling	D32/9	2006/0185113 A1 *	8/2006	Kloeppe et al.	15/320

* cited by examiner

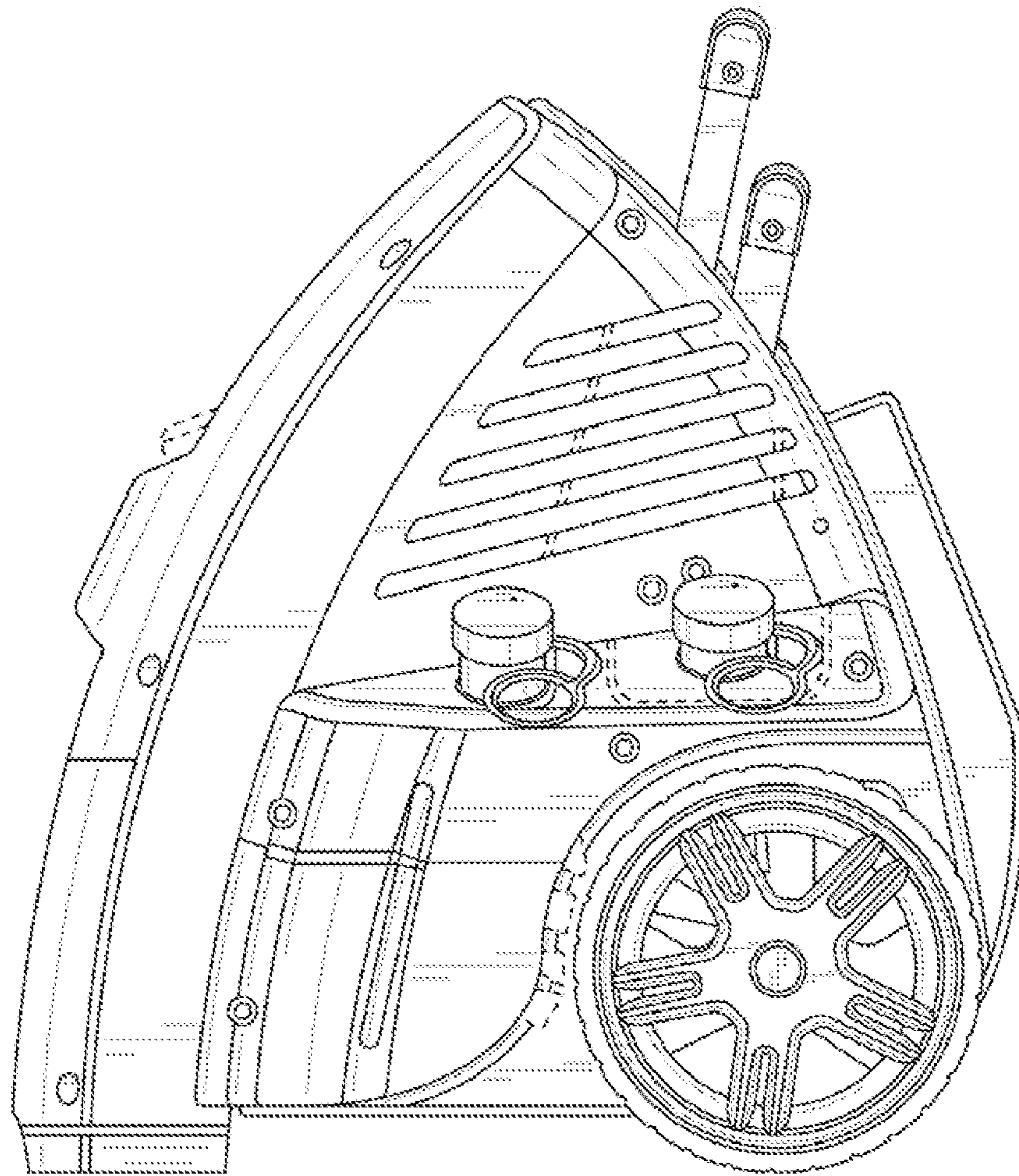


FIG. 1

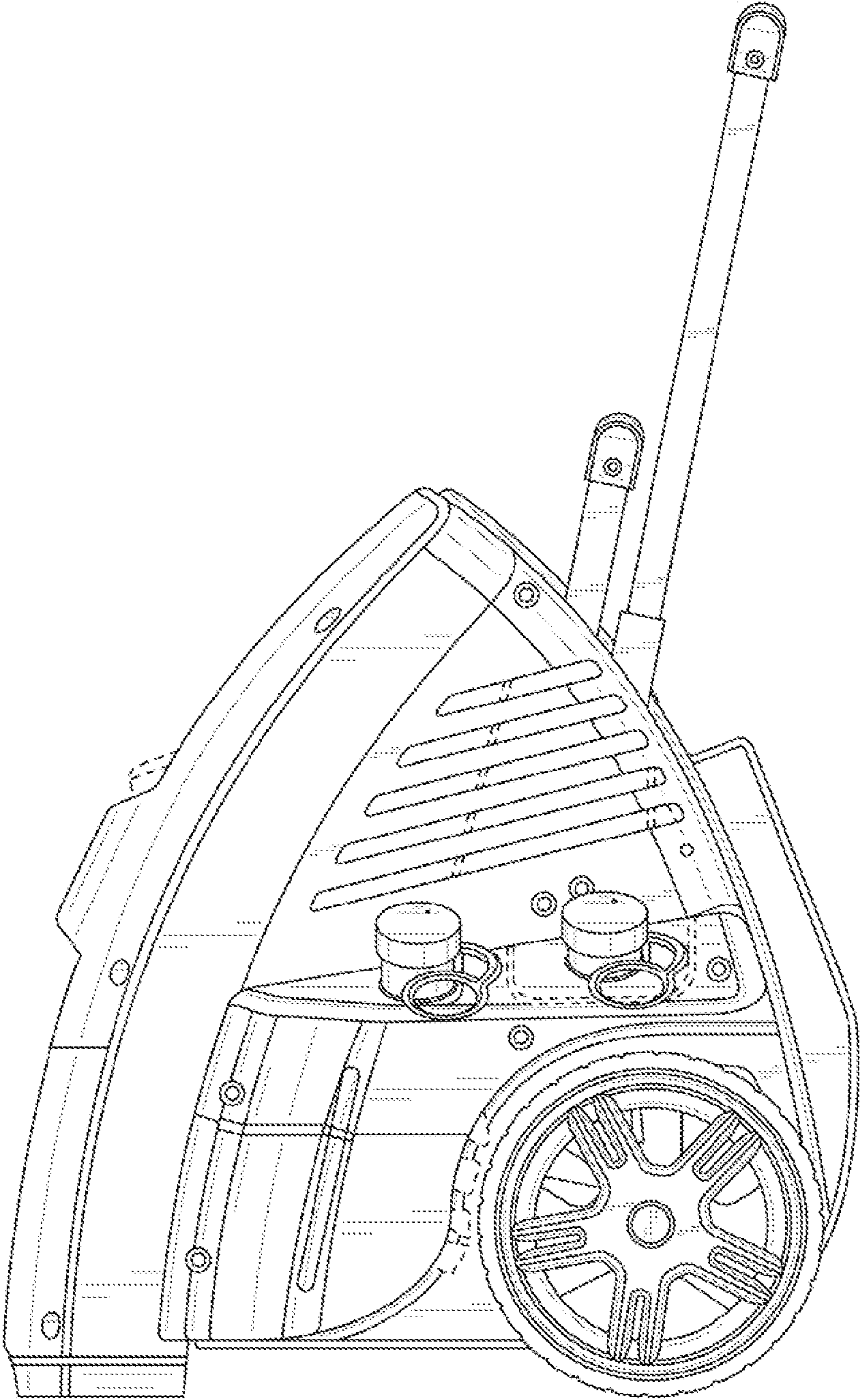


FIG. 2

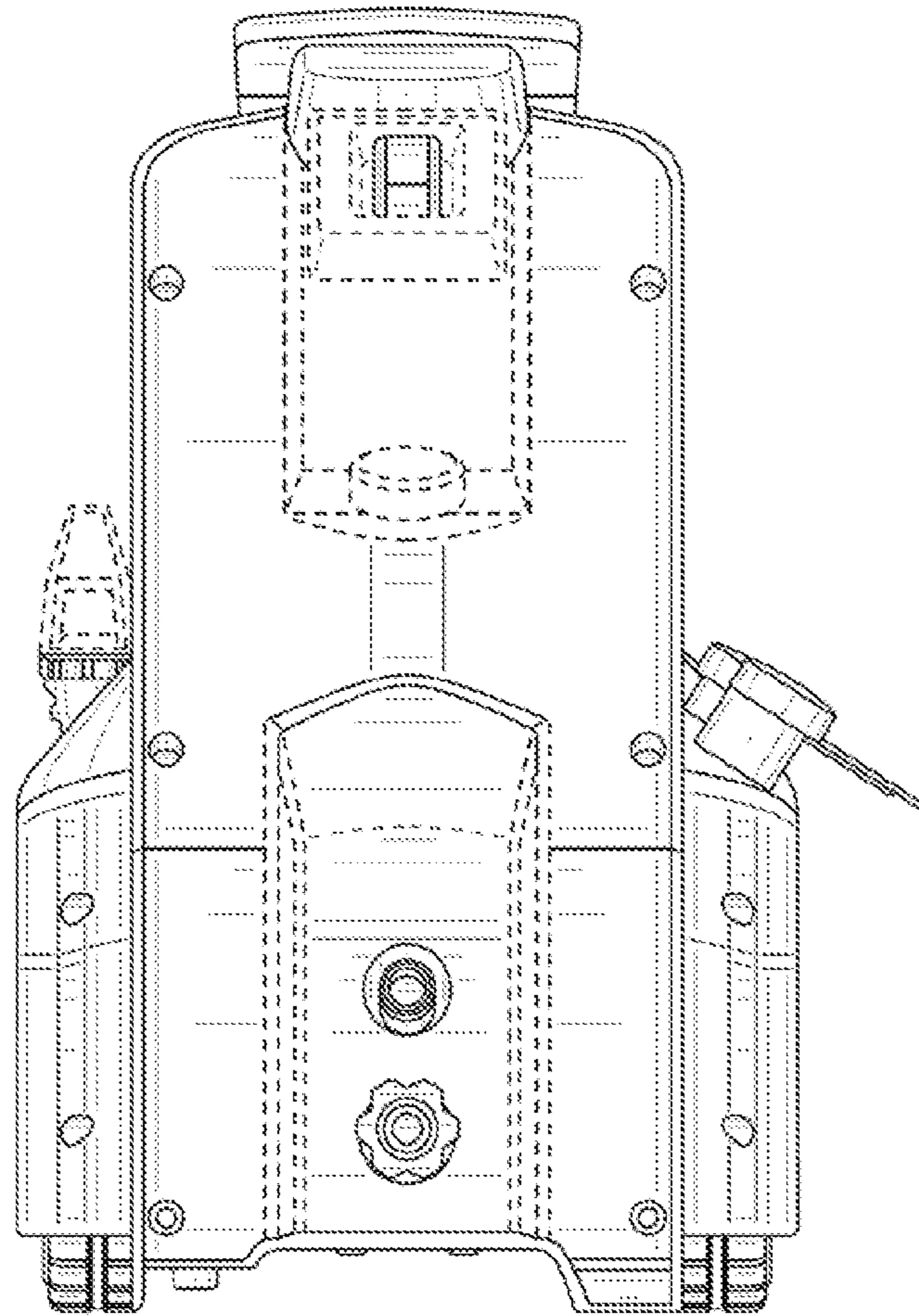


FIG. 3

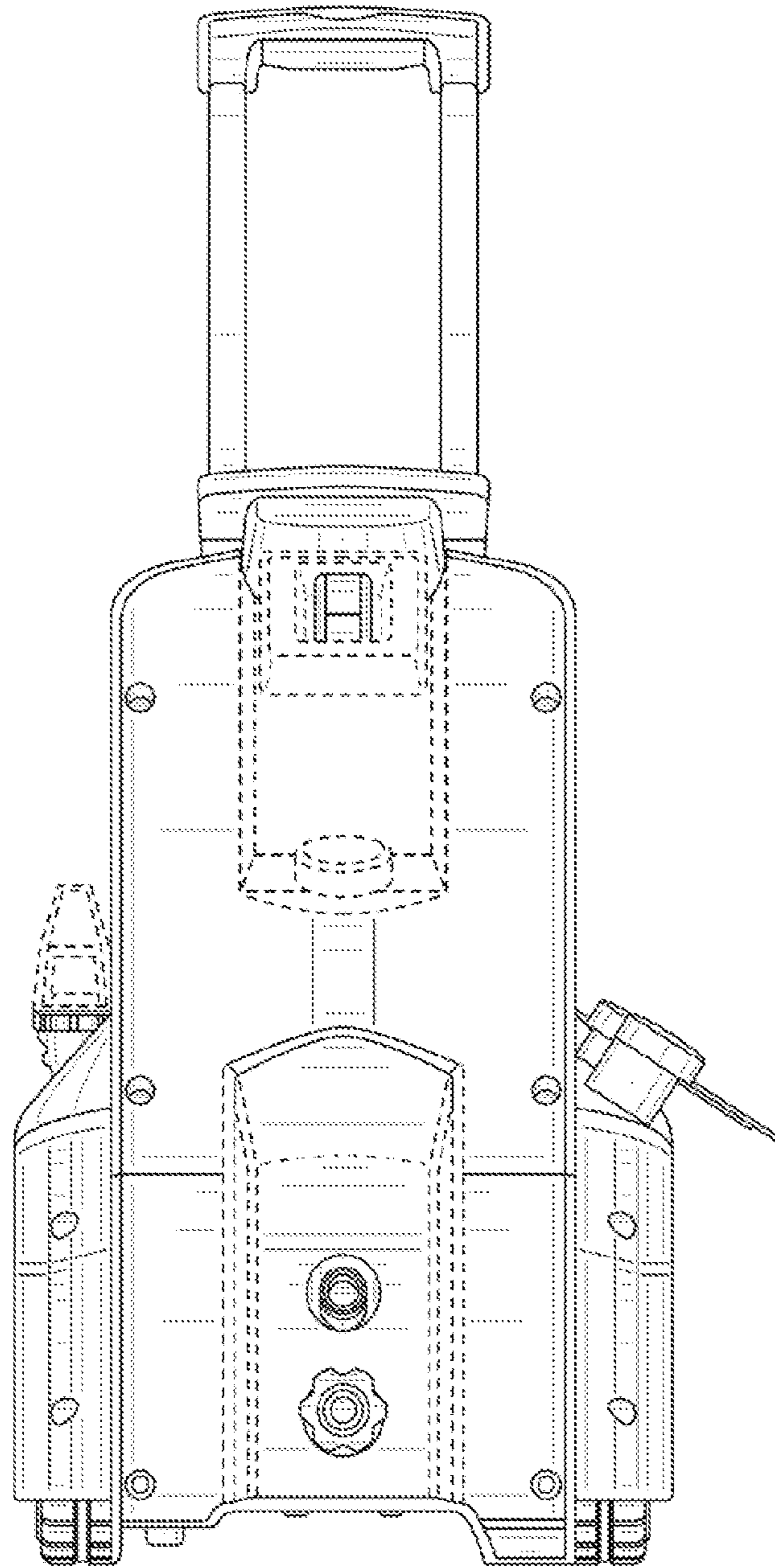


FIG. 4

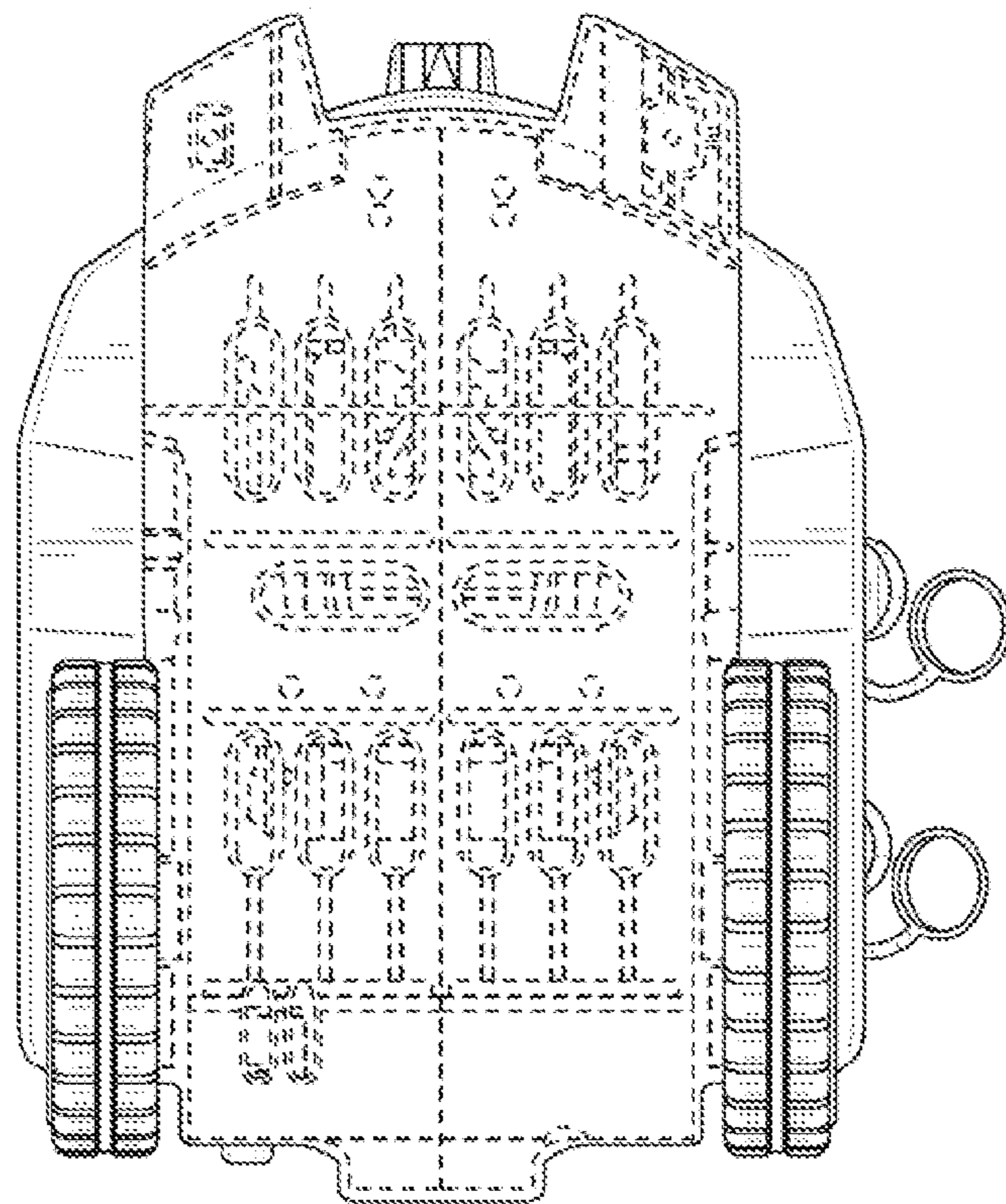


FIG. 5

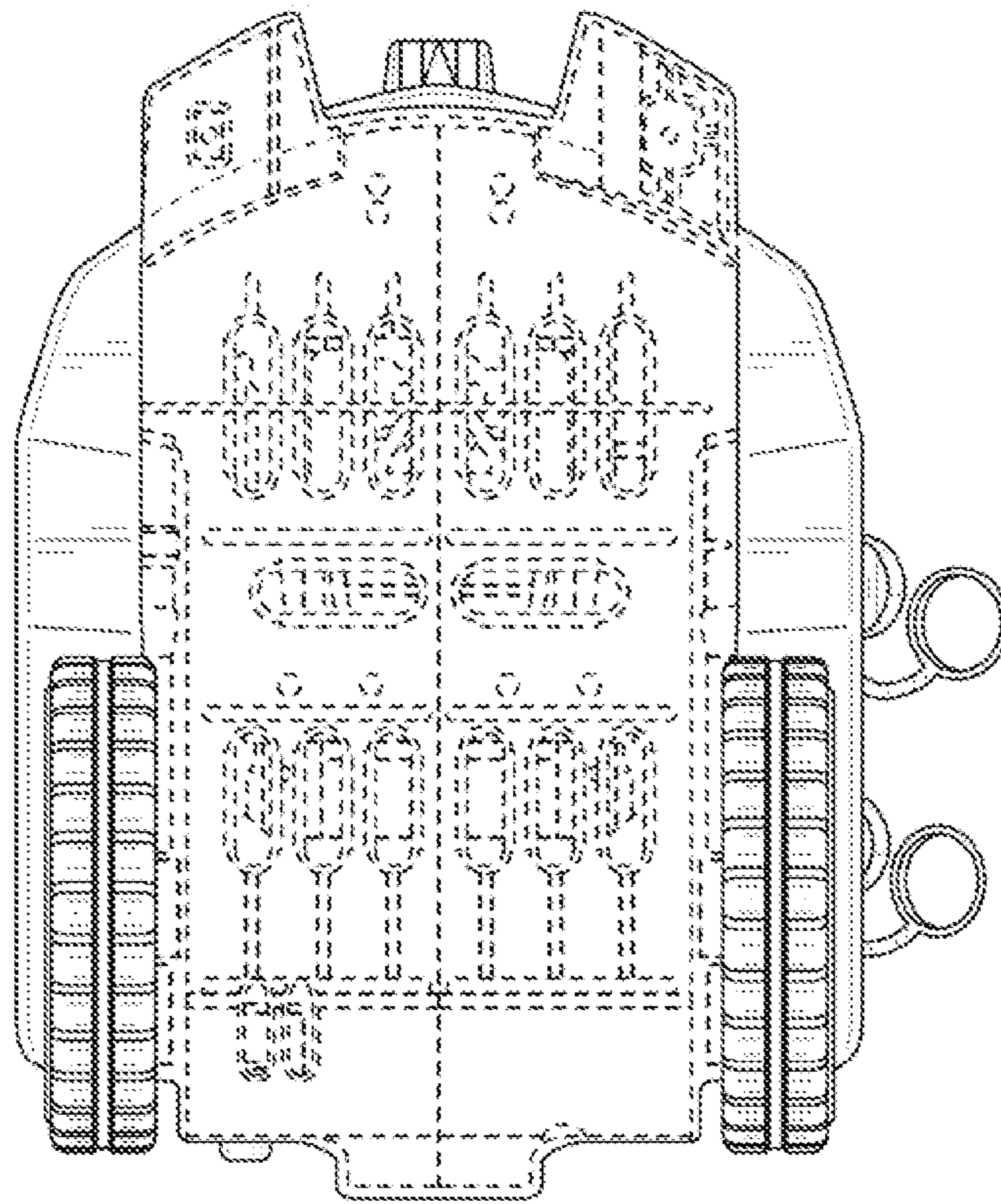


FIG. 6

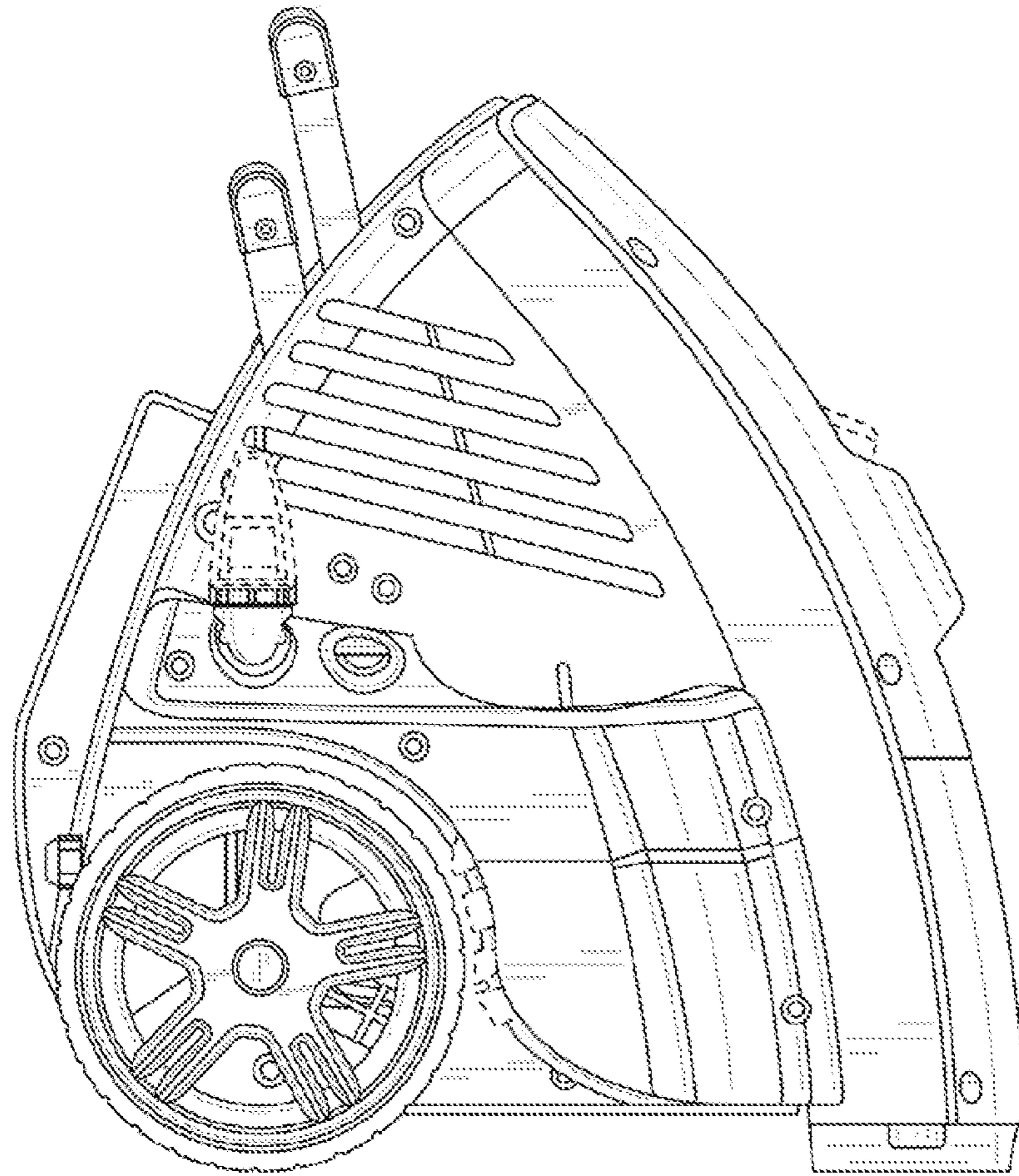


FIG. 7

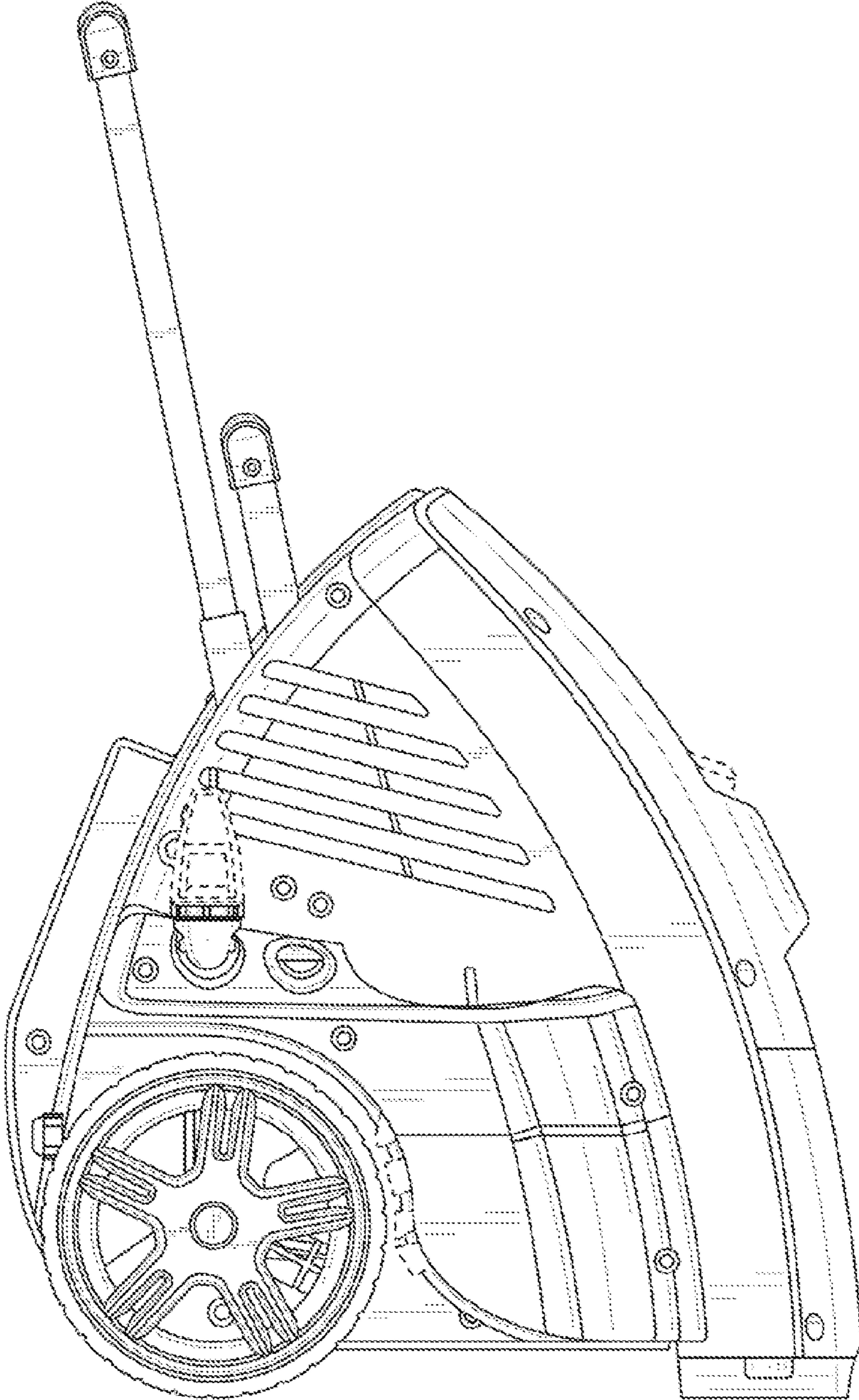


FIG. 8

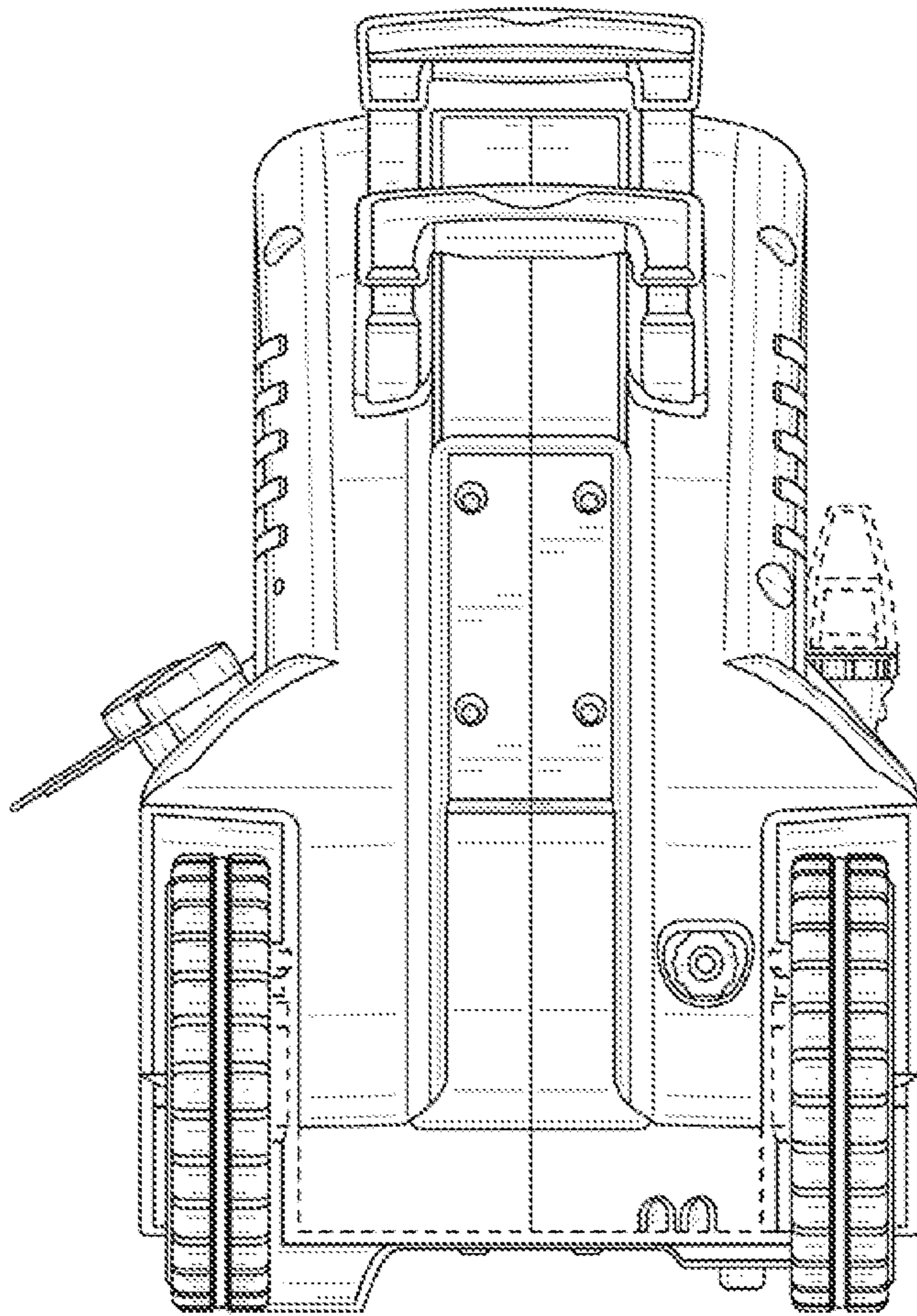


FIG. 9

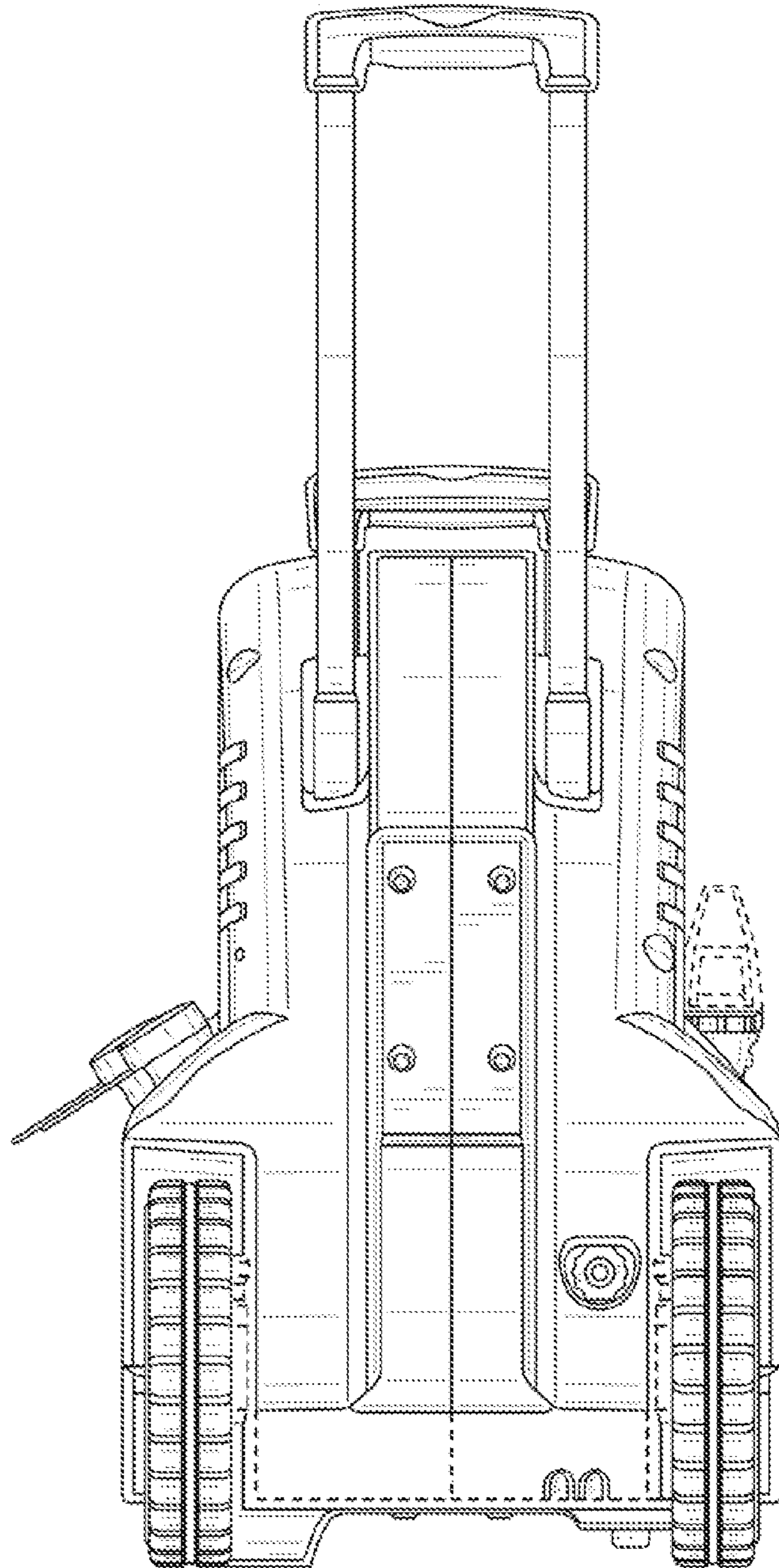


FIG. 10

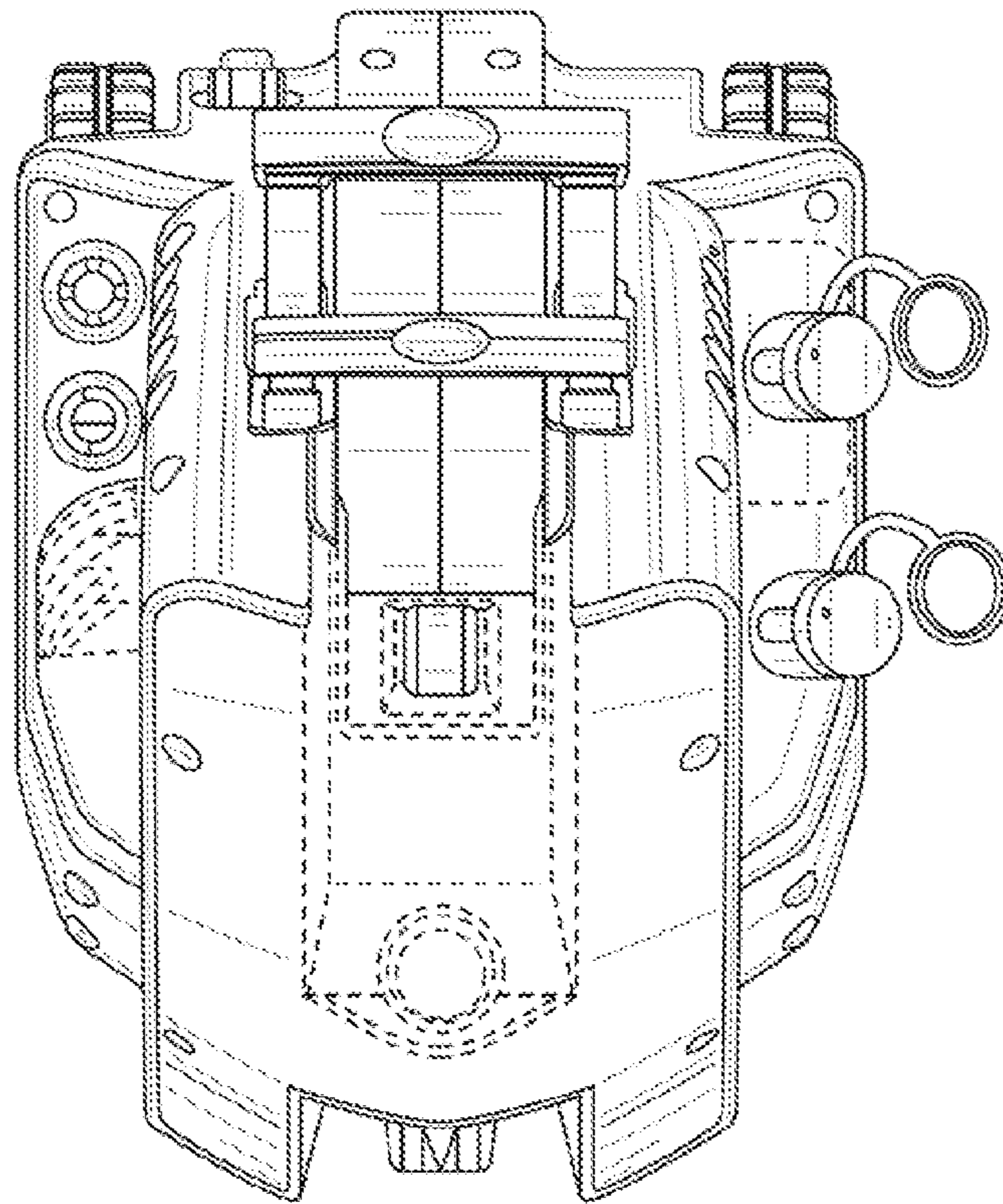


FIG. 11

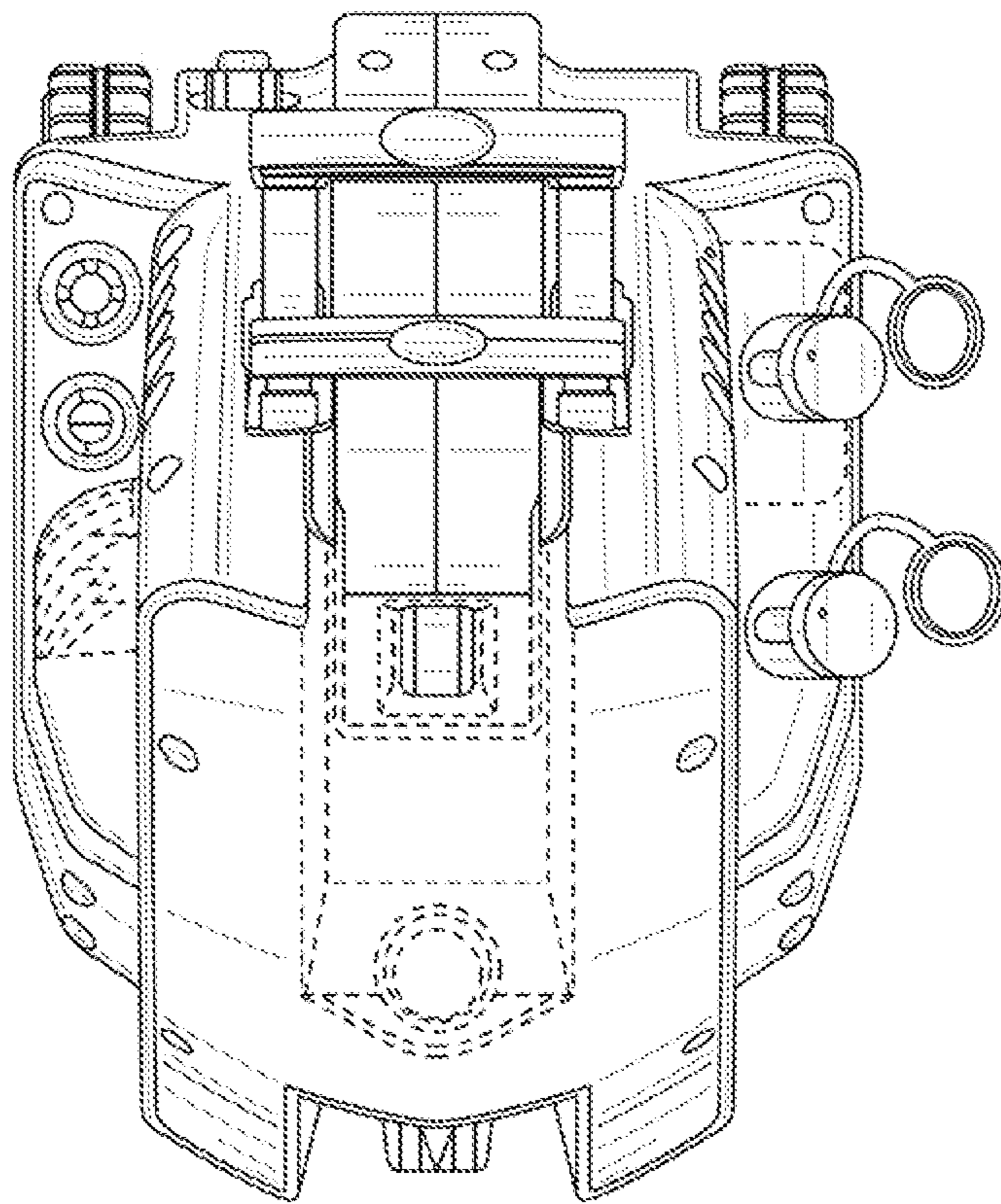


FIG. 12