



US00D664713S

(12) **United States Design Patent**
Christie et al.

(10) **Patent No.:** **US D664,713 S**
(45) **Date of Patent:** **** Jul. 31, 2012**

(54) **SHAVING CARTRIDGE CONNECTOR**

(75) Inventors: **Vanessa Christie**, Boston, MA (US);
Guohua Pan, Singapore (CN); **Kevin James Wain**, Reading (GB); **Xiaolan Xu**, Singapore (CN)

(73) Assignee: **The Gillette Company**, Boston, MA (US)

(**) Term: **14 Years**

(21) Appl. No.: **29/419,356**

(22) Filed: **Apr. 27, 2012**

Related U.S. Application Data

(62) Division of application No. 29/408,269, filed on Dec. 9, 2011, now Pat. No. Des. 661,427.

(51) **LOC (9) Cl.** **28-03**

(52) **U.S. Cl.** **D28/47**

(58) **Field of Classification Search** D28/44-48;
30/32, 34.05, 34.1-34.2, 42-61, 77-84, 526-538,
30/346.5-346.61

See application file for complete search history.

(56) **References Cited**

U.S. PATENT DOCUMENTS

3,950,849 A * 4/1976 Perry 30/47
4,756,082 A * 7/1988 Apprille, Jr. 30/530
5,813,293 A 9/1998 Apprille, Jr. et al.

5,956,851 A * 9/1999 Apprille et al. 30/47
D457,684 S 5/2002 Wonderley
D533,684 S 12/2006 Gray et al.
7,200,942 B2 4/2007 Richard
D601,753 S 10/2009 Cataudella et al.
D625,883 S 10/2010 Wonderley
D640,415 S 6/2011 Wonderley et al.
D643,976 S 8/2011 Wonderley et al.
D643,977 S 8/2011 Wonderley et al.
D648,075 S 11/2011 Wonderley et al.
D648,076 S 11/2011 Jessemey et al.
D649,712 S 11/2011 Pan et al.

* cited by examiner

Primary Examiner — Jennifer Rivard

(74) *Attorney, Agent, or Firm* — John M. Lipchitz; Kevin C. Johnson; Steven W. Miller

(57) **CLAIM**

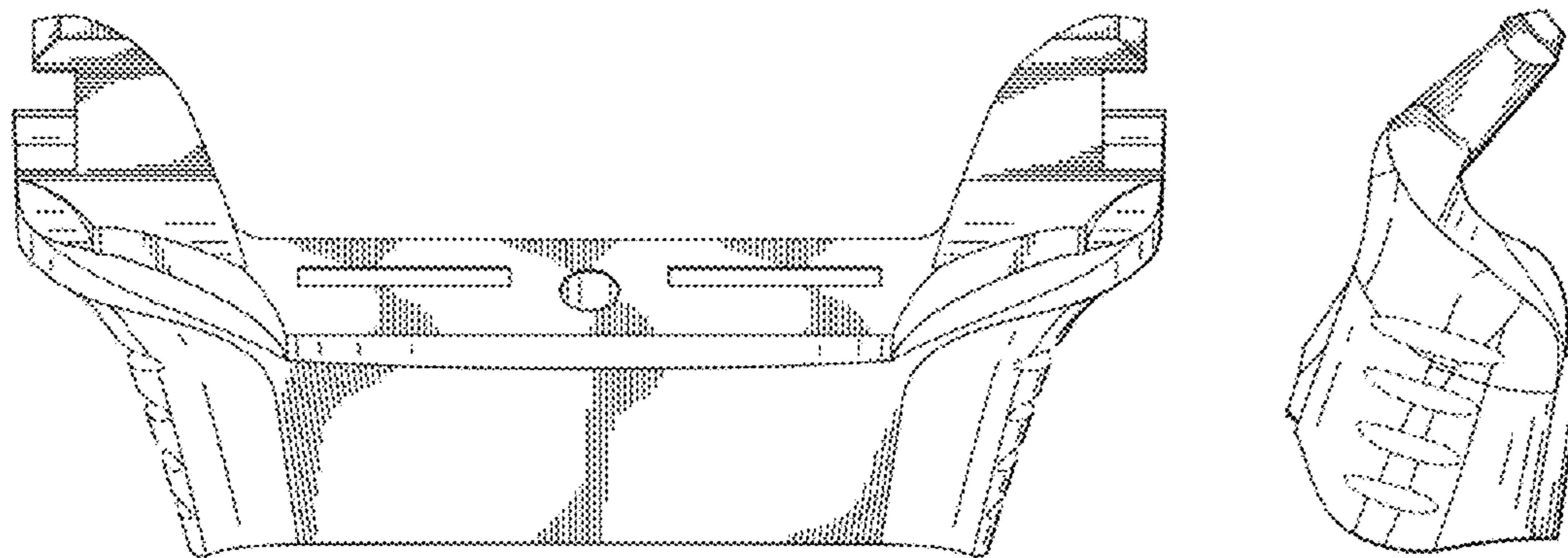
The ornamental design for a shaving cartridge connector, as shown and described.

DESCRIPTION

FIG. 1 is a perspective view of a shaving cartridge connector of the present invention;
FIG. 2 is a front view thereof;
FIG. 3 is a rear view thereof;
FIG. 4 is a right side view thereof;
FIG. 5 is a left side view thereof;
FIG. 6 is a top view thereof; and,
FIG. 7 is a bottom view thereof.

The broken lines are shown for illustrative purposes only and form no part of the claimed design.

1 Claim, 5 Drawing Sheets



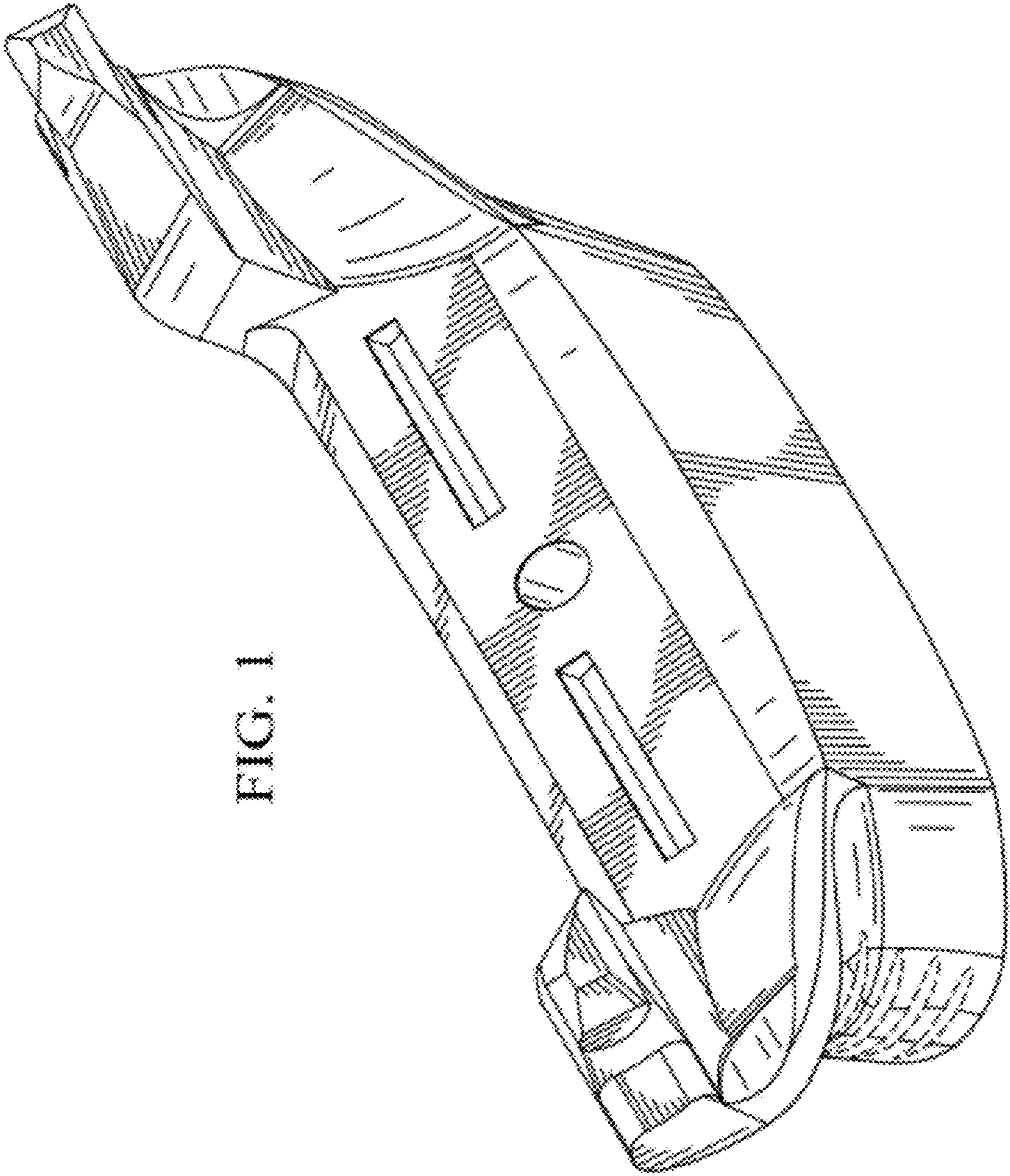


FIG. 1

FIG. 2

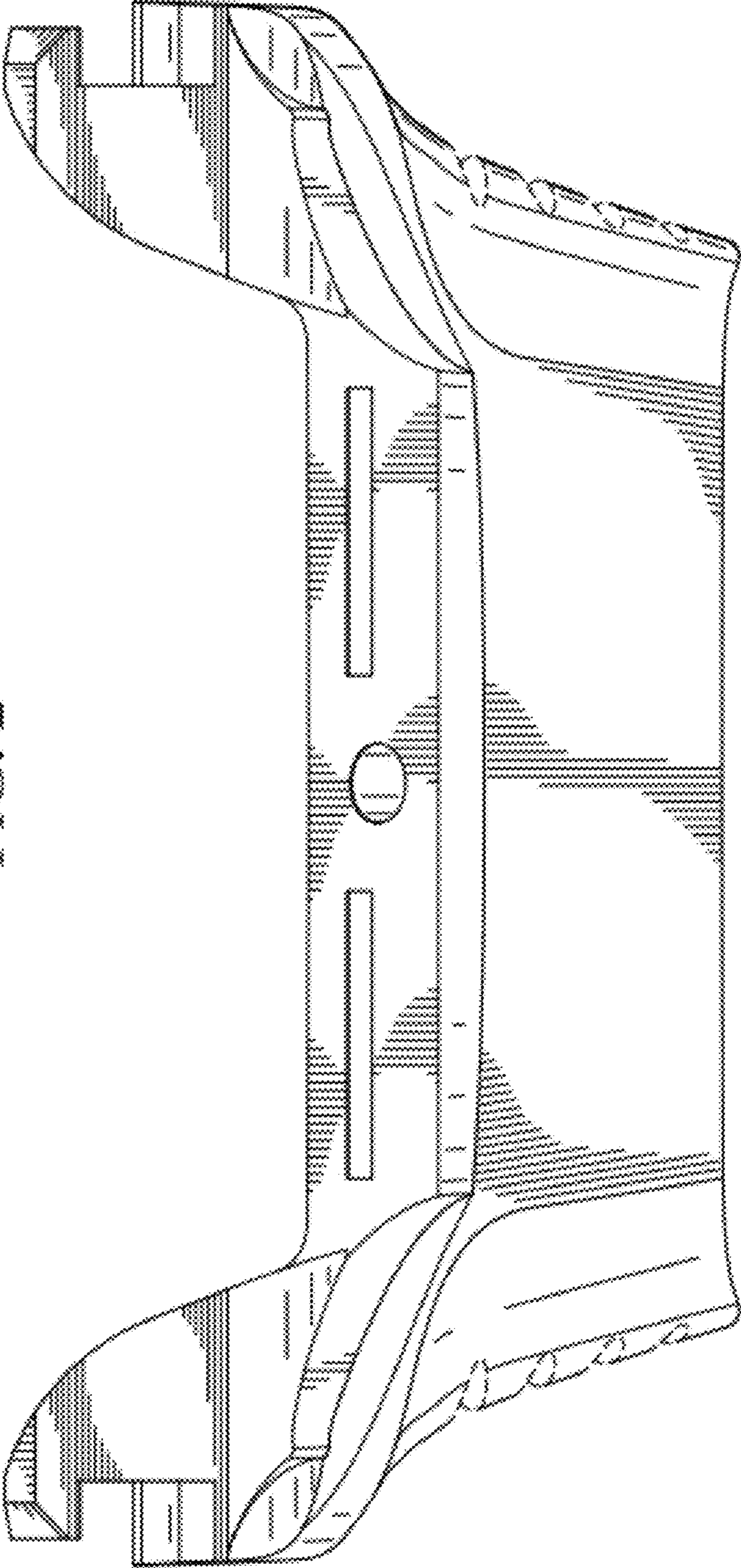


FIG. 3

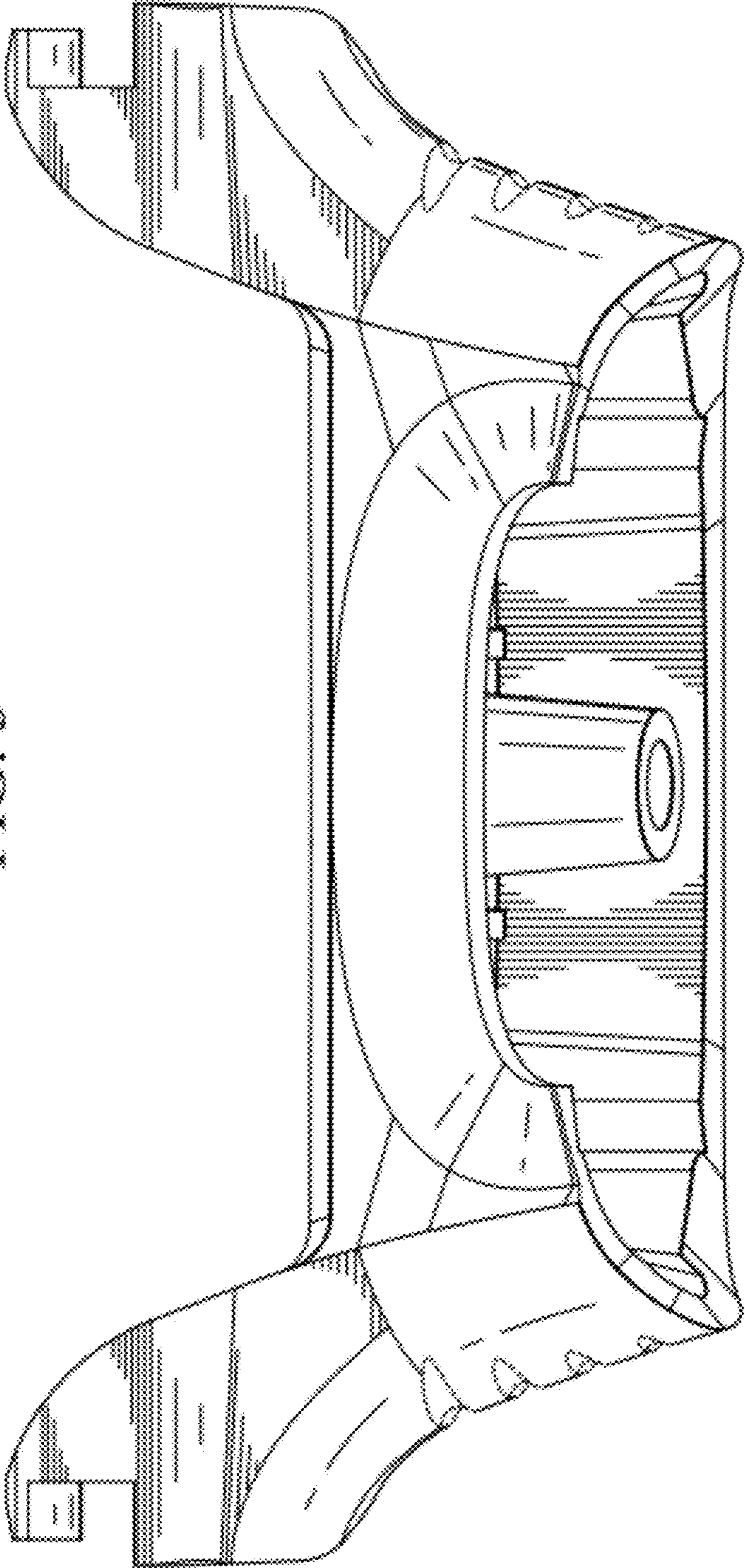


FIG. 5

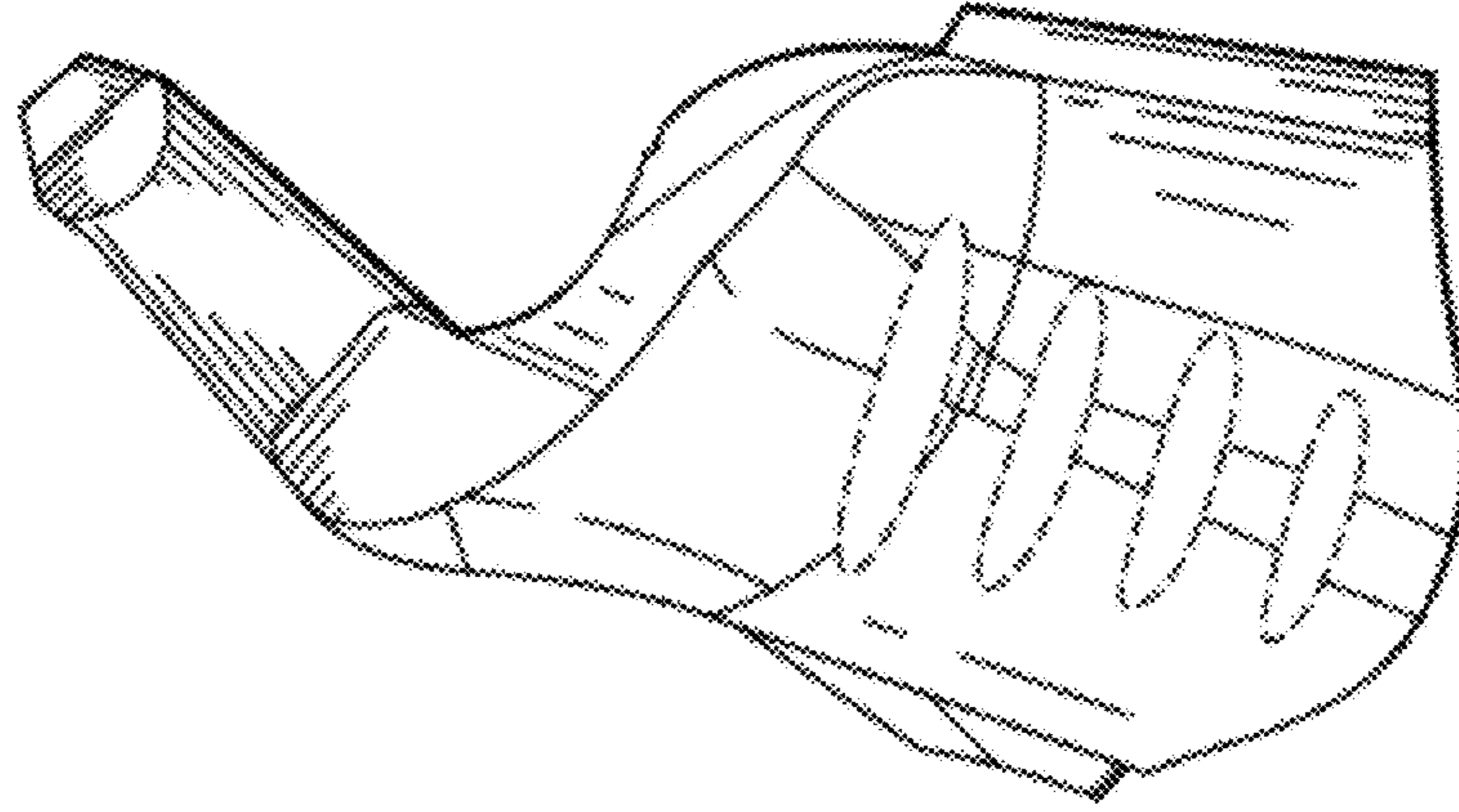


FIG. 4

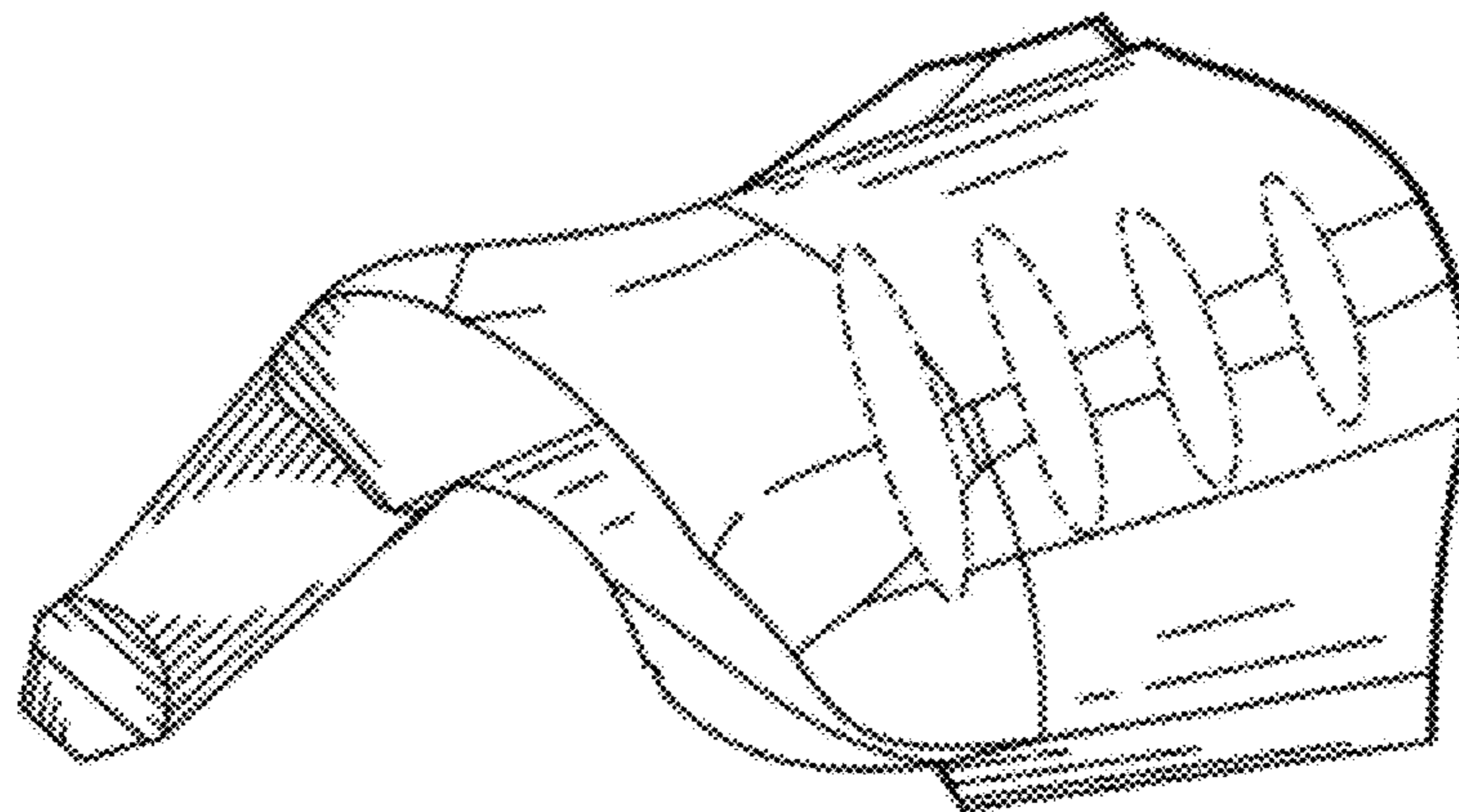


FIG. 6

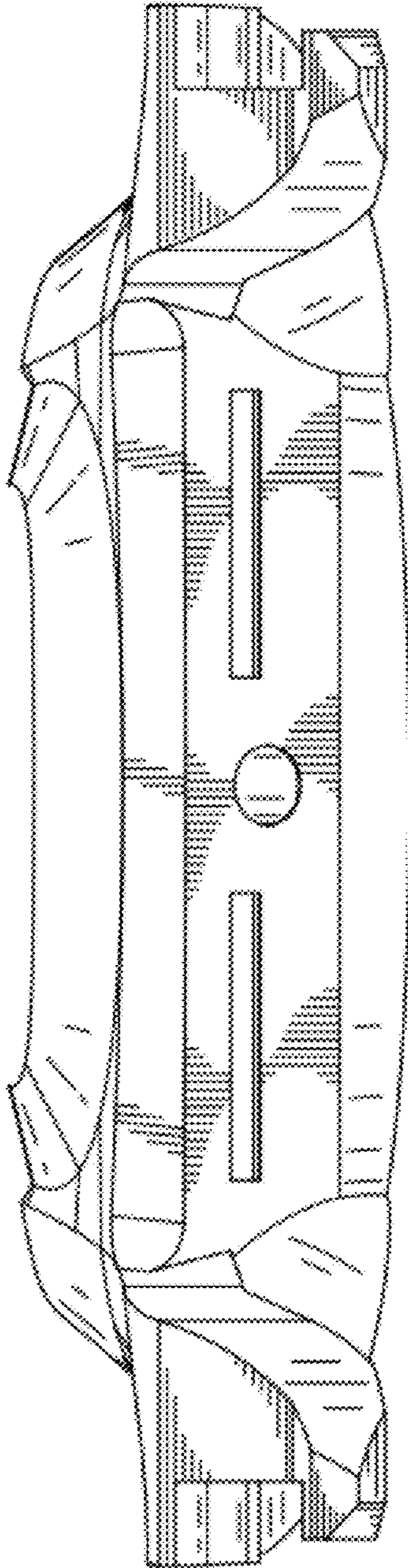


FIG. 7

