



US00D664708S

(12) **United States Design Patent**  
**Toft**

(10) **Patent No.:** **US D664,708 S**

(45) **Date of Patent:** **\*\* Jul. 31, 2012**

(54) **BASE FOR MOUNTING ELEMENT AND MOVING HEAD FOR A LIGHT FIXTURE**

(75) Inventor: **Uffe Kjaergaard Toft, Højbjerg (DK)**

(73) Assignee: **Martin Professional A/S, Arhus N (DK)**

(\*\*) Term: **14 Years**

(21) Appl. No.: **29/396,684**

(22) Filed: **Jul. 5, 2011**

**Related U.S. Application Data**

(63) Continuation-in-part of application No. PCT/DK2011/050040, filed on Feb. 11, 2011.

(51) **LOC (9) Cl.** ..... **26-99**

(52) **U.S. Cl.** ..... **D26/142**

(58) **Field of Classification Search** ..... D26/38, D26/36, 46, 73, 76, 81, 84, 88, 118, 138, D26/120, 13, 154, 155, 145, 86, 87, 85, 142, D26/61, 24, 93, 92, 153, 91, 89, 74, 121, D26/122, 71, 110, 105, 111, 131, 83, 80, D26/1, 2, 3, 4, 5, 26, 123, 125, 128, 63, 62, D26/64, 65, 41, 69, 139, 152, 150, 151, 141, D26/143, 144, 51, 140; 362/269, 648, 238, 362/111, 105, 86, 373, 294, 362, 297, 346, 362/341, 356, 352, 433, 404, 235, 240, 249.01–249.11, 362/321, 287, 374, 427, 190, 281, 324, 272, 362/244, 555, 147, 348, 263, 350; D10/11, D10/114.1; D22/108; 42/146, 117, 114, 42/115, 116, 142, 1.01; 439/110; 403/92, 403/97; 285/69, 78, 65; 257/89; D16/221; D13/110, 133, 134, 179, 180, 182; 160/332; D11/90, 89, 121, 125, 131; D25/119, 124, D25/125, 138; D23/386; D8/373, 354, 349, D8/389, 382, 363, 356, 377

See application file for complete search history.

(56) **References Cited**

U.S. PATENT DOCUMENTS

D322,136 S	12/1991	Shima et al.	
D359,574 S *	6/1995	Bornhorst et al.	D26/65
D372,550 S *	8/1996	Stultz	D26/63
5,580,164 A *	12/1996	Maddox et al.	362/293
D413,995 S *	9/1999	Lee et al.	D26/63
D417,300 S	11/1999	Stacy et al.	
D439,356 S *	3/2001	Martinson et al.	D26/63

(Continued)

FOREIGN PATENT DOCUMENTS

EP 1001212 A2 5/2000

(Continued)

OTHER PUBLICATIONS

Written Opinion for PCT/DK2011/050040, Mailed May 16, 2011.

(Continued)

*Primary Examiner* — Kevin Rudzinski

(74) *Attorney, Agent, or Firm* — Dykema Gossett PLLC

(57) **CLAIM**

The ornamental design for a base for mounting element and moving head for a light fixture, as shown and described.

**DESCRIPTION**

FIG. 1 is a first perspective view of a base for mounting element and moving head for a light fixture showing my new design;

FIG. 2 is a front elevational view thereof;

FIG. 3 is a rear elevational view thereof;

FIG. 4 is a left side elevational view thereof;

FIG. 5 is a right side elevational view thereof;

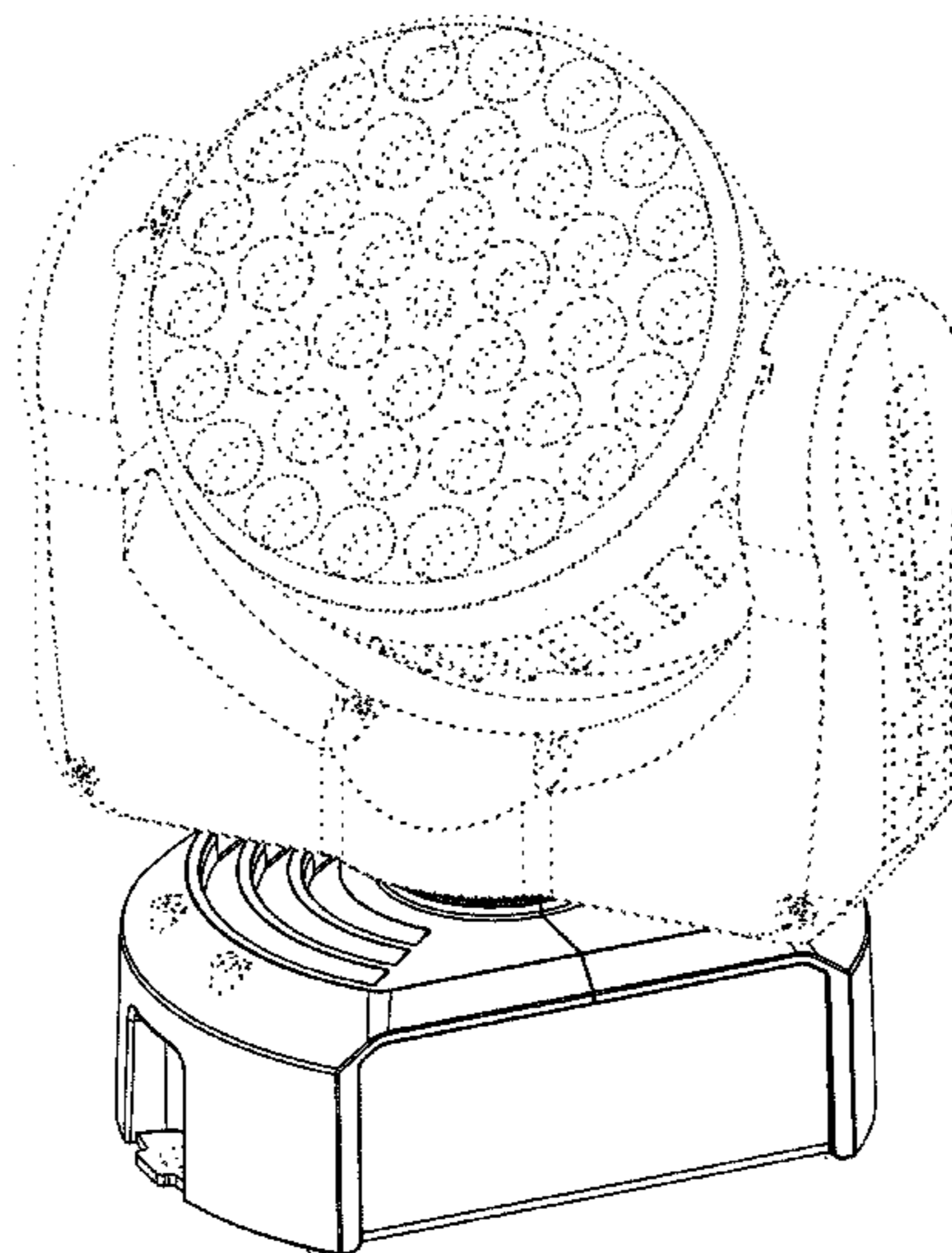
FIG. 6 is a top plan view thereof;

FIG. 7 is a bottom plan view thereof; and,

FIG. 8 is a second perspective view thereof.

The broken lines shown in the drawings illustrate environmental structures that form no part of the claimed design.

**1 Claim, 8 Drawing Sheets**



# US D664,708 S

Page 2

## U.S. PATENT DOCUMENTS

D457,673 S 5/2002 Martinson et al.  
D492,436 S 6/2004 Smith et al.  
D496,744 S 9/2004 Smith et al.  
6,955,447 B2\* 10/2005 Lui ..... 362/233  
D544,110 S \* 6/2007 Hooker et al. .... D26/2  
D560,300 S \* 1/2008 Compton et al. .... D26/61  
D561,917 S \* 2/2008 Tsao ..... D26/2  
7,341,363 B1\* 3/2008 Richardson ..... 362/396  
D566,316 S \* 4/2008 Hill et al. .... D26/59  
D566,861 S \* 4/2008 Takada et al. .... D26/1  
D571,951 S \* 6/2008 Melzner et al. .... D26/138  
D578,230 S \* 10/2008 Huang ..... D26/28  
D589,636 S \* 3/2009 Pinette ..... D26/63  
D592,330 S \* 5/2009 Huang ..... D26/28  
D598,144 S \* 8/2009 Ko ..... D26/28  
D598,595 S \* 8/2009 Levine ..... D26/63  
D601,727 S \* 10/2009 Huang ..... D26/28  
D605,339 S 12/2009 Quadri  
D605,789 S \* 12/2009 Ko ..... D26/28  
D612,532 S 3/2010 Toft  
D614,344 S 4/2010 Toft  
7,699,506 B2\* 4/2010 Andersen et al. .... 362/373  
D618,377 S \* 6/2010 Toft ..... D26/93  
D620,187 S \* 7/2010 Quadri ..... D26/113  
7,789,525 B2\* 9/2010 Vinther ..... 362/190

D625,452 S \* 10/2010 Yamada ..... D26/63  
D626,255 S \* 10/2010 Hiratsuka ..... D26/1  
D626,666 S \* 11/2010 Yamamoto et al. .... D26/2  
D638,573 S 5/2011 Toft  
D639,983 S \* 6/2011 Quadri ..... D26/24  
D642,309 S \* 7/2011 Huang ..... D26/28  
2004/0070984 A1 4/2004 Smith et al.  
2008/0062692 A1\* 3/2008 Andersen et al. .... 362/275  
2008/0080190 A1\* 4/2008 Walczak et al. .... 362/294  
2009/0154165 A1\* 6/2009 Salm et al. .... 362/272  
2009/0323364 A1\* 12/2009 Bornhorst et al. .... 362/418  
2011/0199770 A1\* 8/2011 Pedersen ..... 362/249.03

## FOREIGN PATENT DOCUMENTS

EP 1898145 A1 3/2008

## OTHER PUBLICATIONS

International Search Report for PCT/DK2011/050040, mailed May 16, 2011.

Danish Search Report for Danish Application No. PA2010 00127, date completed Sep. 30, 2010.

Office Action for Danish Application No. PA 2010 00127, mailed Oct. 1, 2010.

\* cited by examiner

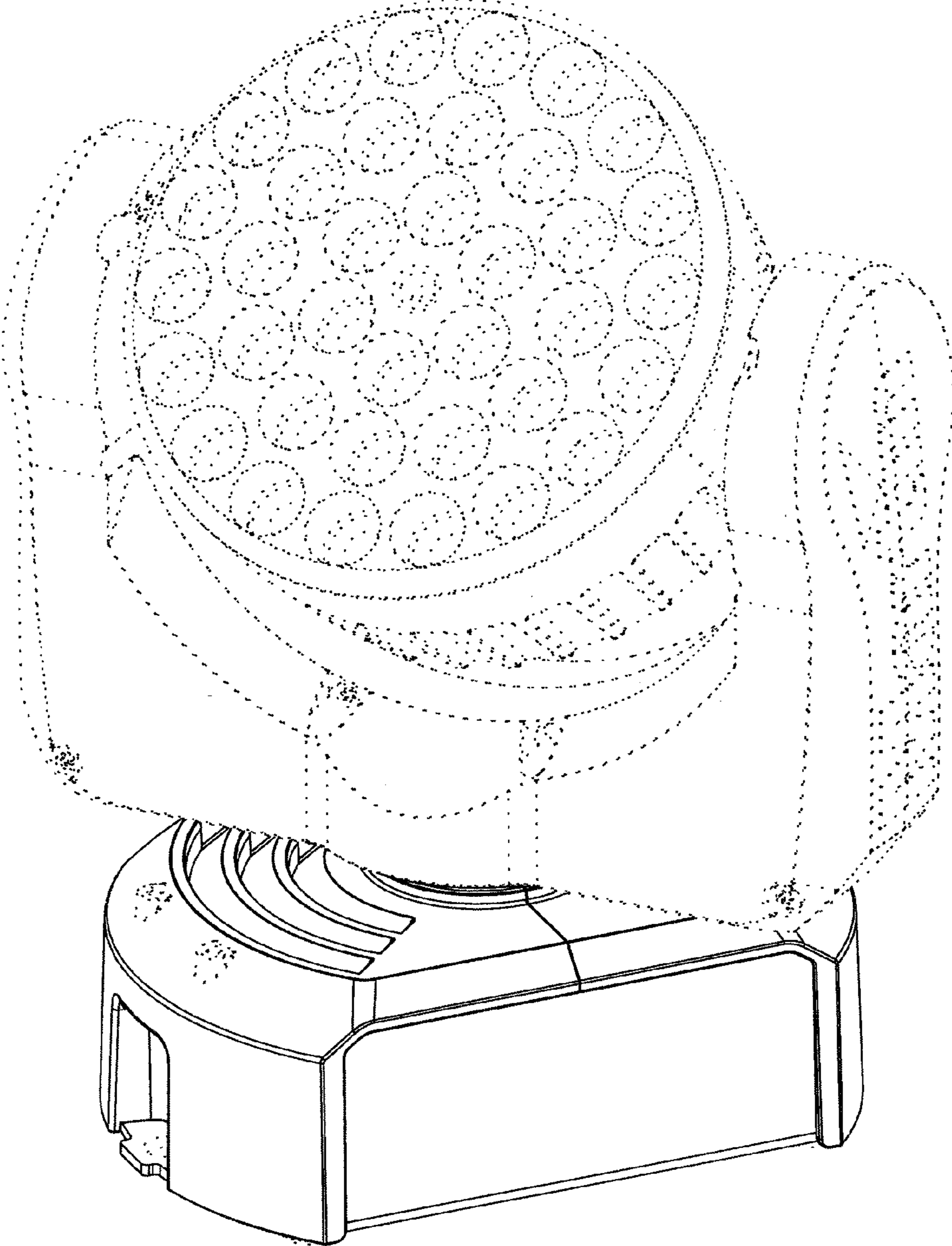


Fig. 1

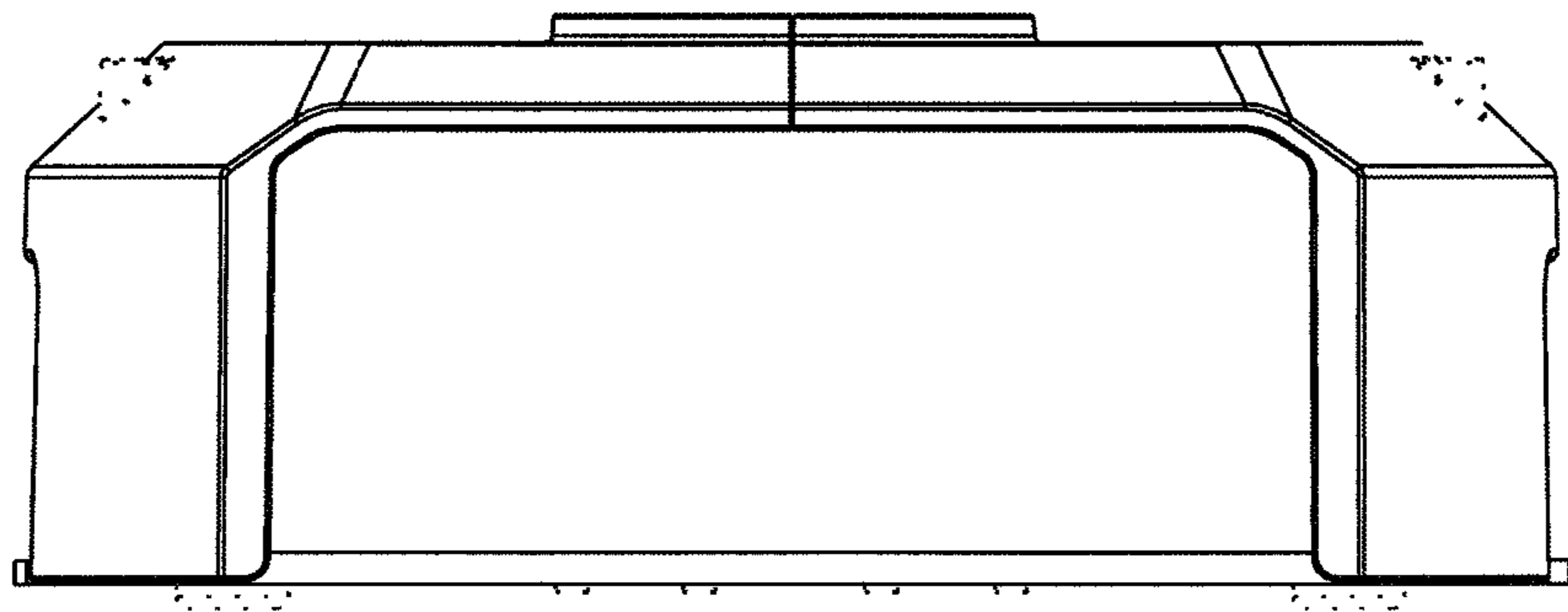


Fig. 2

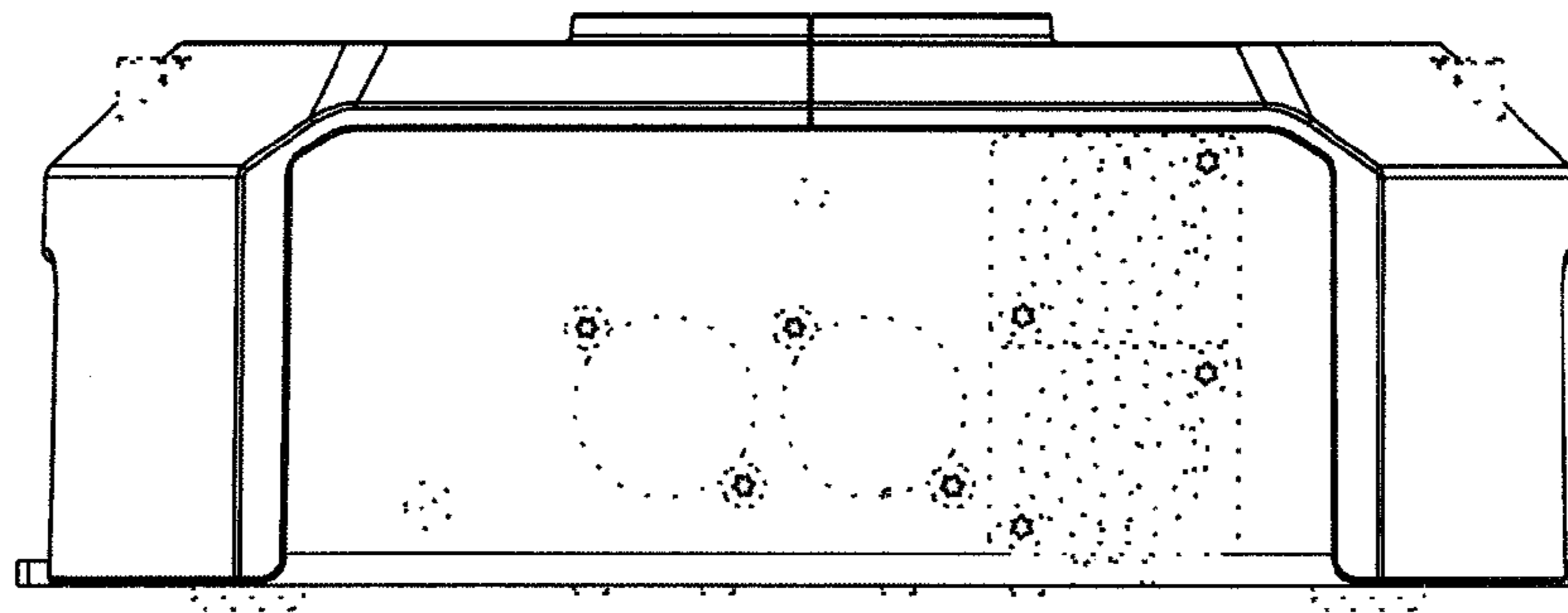


Fig. 3

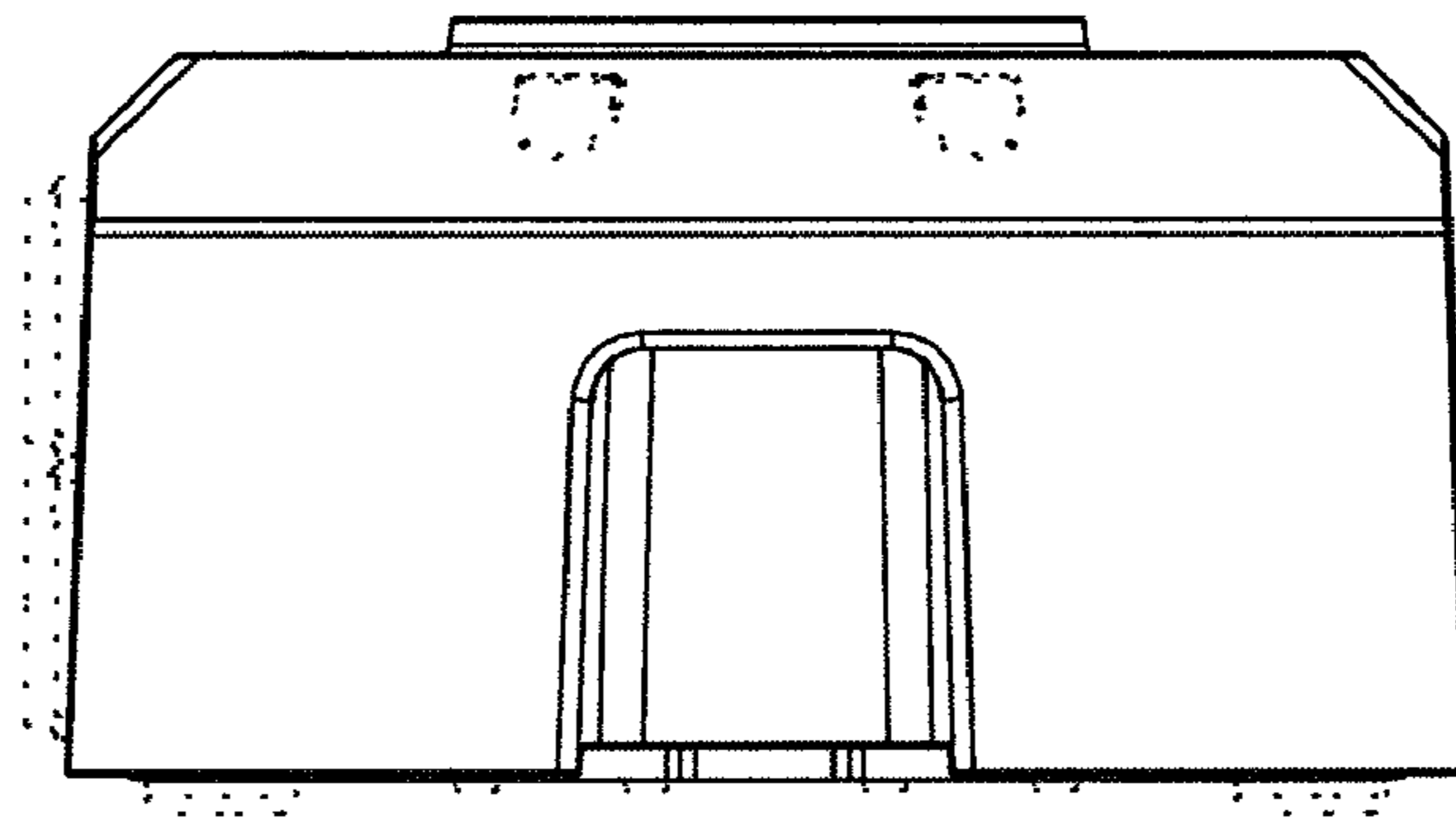


Fig. 4

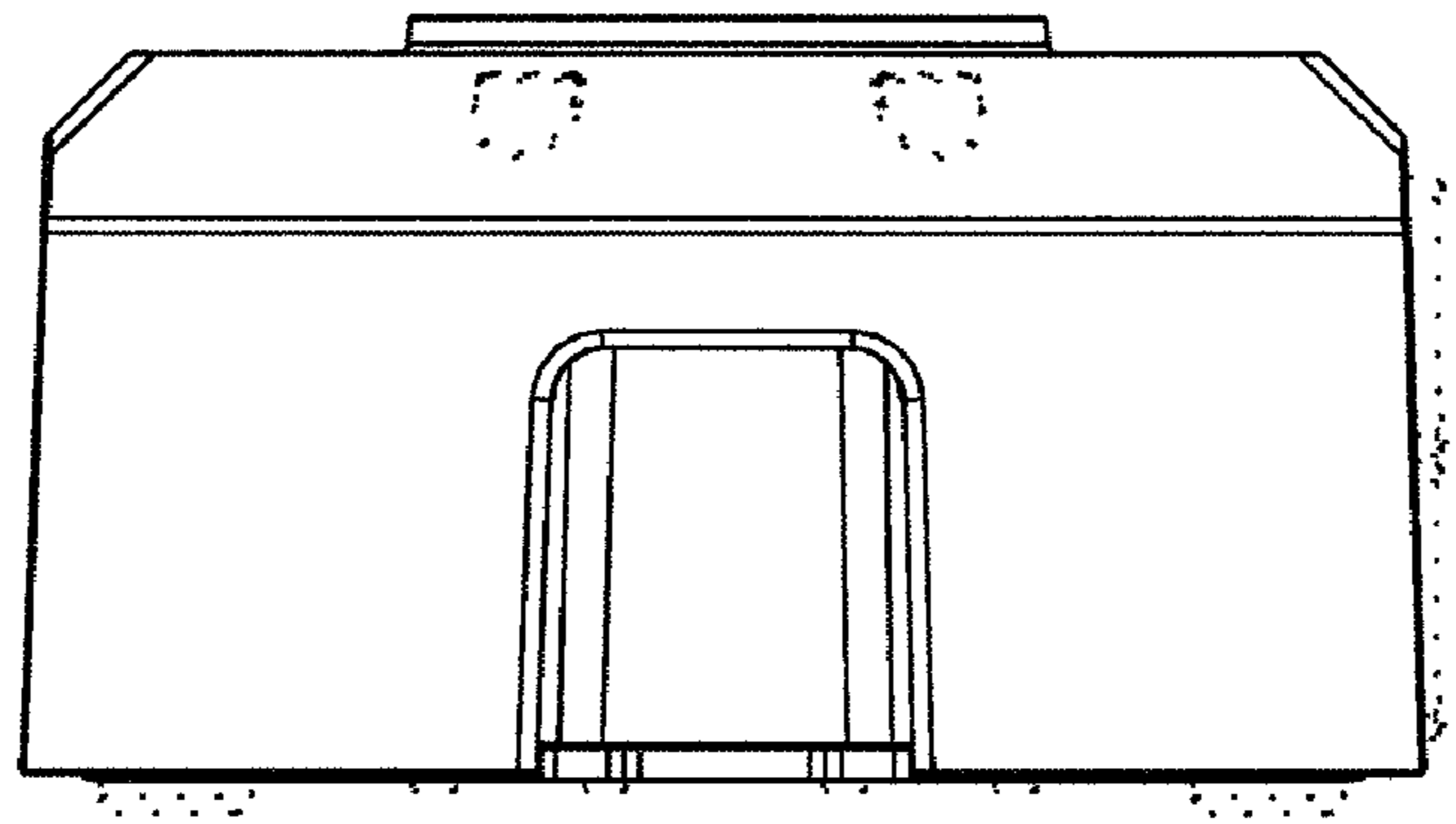


Fig. 5

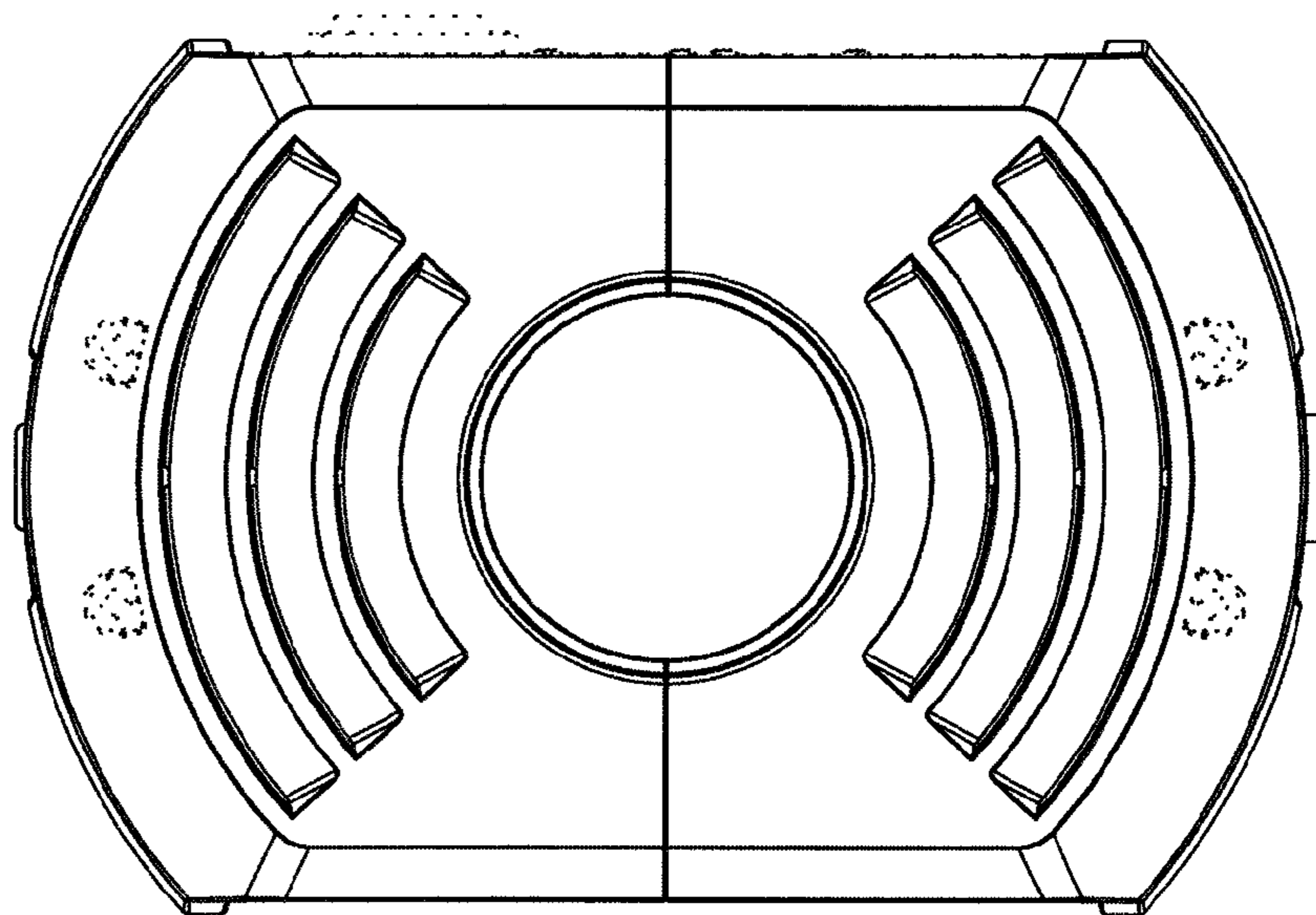


Fig. 6



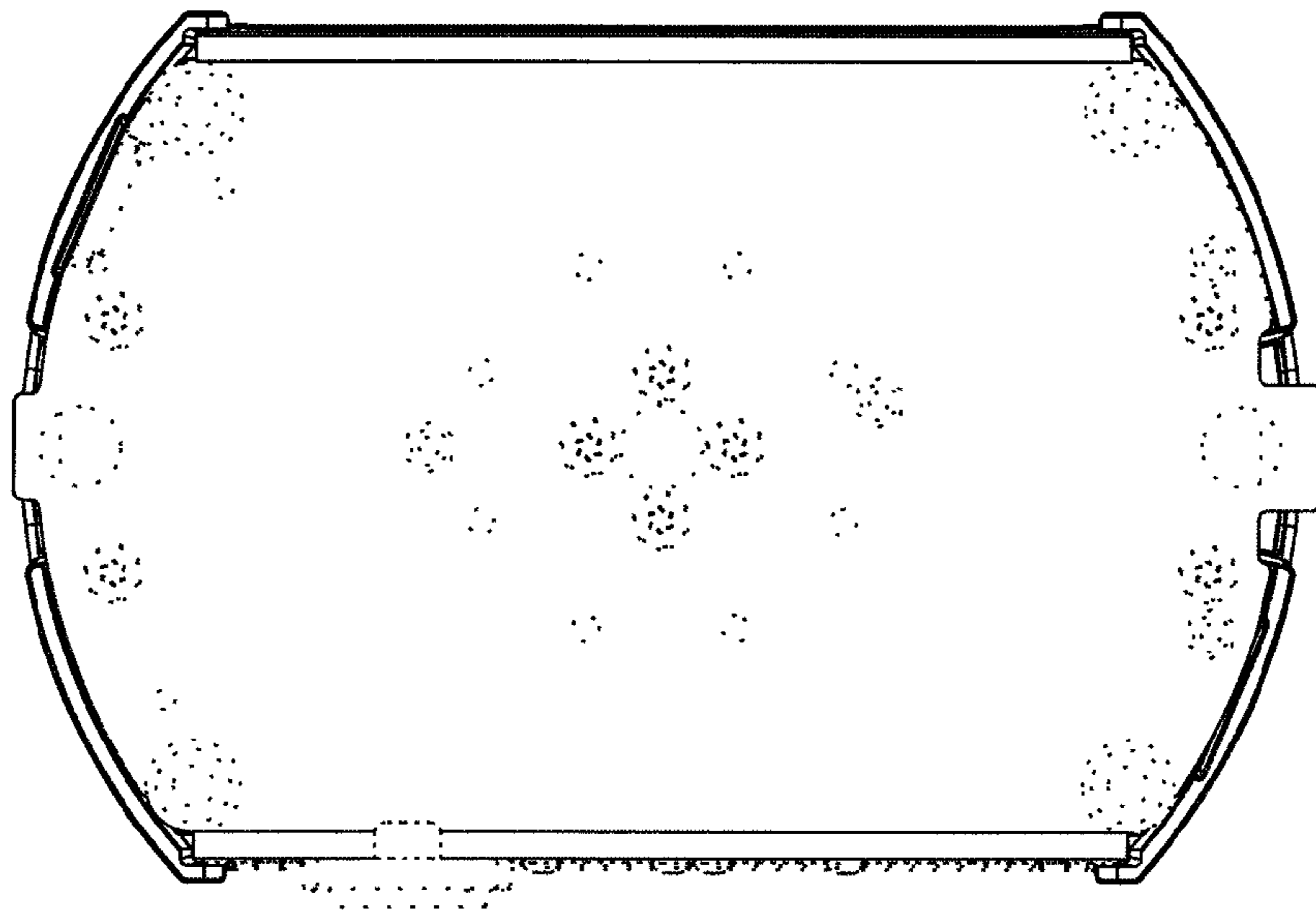


Fig. 7

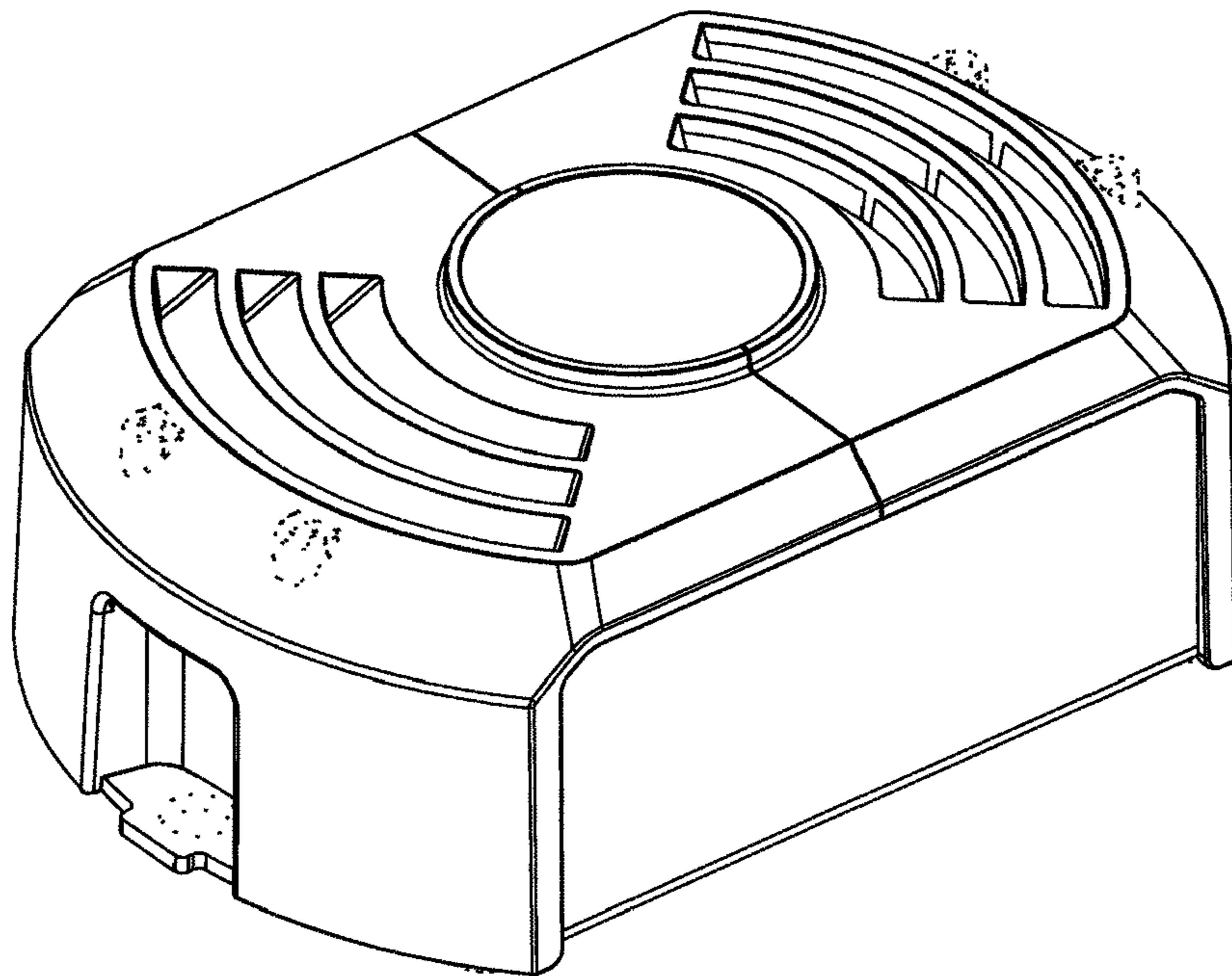


Fig. 8

UNITED STATES PATENT AND TRADEMARK OFFICE  
**CERTIFICATE OF CORRECTION**

PATENT NO. : D664,708 S  
APPLICATION NO. : 29/396684  
DATED : July 31, 2012  
INVENTOR(S) : Uffe Kjaergaard Toft

Page 1 of 1

It is certified that error appears in the above-identified patent and that said Letters Patent is hereby corrected as shown below:

On the cover page, under “(22) Filed: Jul. 5, 2011” insert:  
-- (30) Foreign Application Priority Data  
Feb. 16, 2010 (DK) DK PA 2010 0127 --

Signed and Sealed this  
Twenty-third Day of October, 2012

A handwritten signature in black ink that reads "David J. Kappos". The signature is written in a cursive, slightly slanted style.

David J. Kappos  
*Director of the United States Patent and Trademark Office*