

US00D664707S

(12) **United States Design Patent**
Toft

(10) **Patent No.:** **US D664,707 S**
(45) **Date of Patent:** **** Jul. 31, 2012**

(54) **MOUNTING ELEMENT FOR MOVING HEAD FOR A LIGHT FIXTURE**

(75) Inventor: **Uffe Kjaergaard Toft, Højbjerg (DK)**

(73) Assignee: **Martin Professional A/S, Arhus N (DK)**

(**) Term: **14 Years**

(21) Appl. No.: **29/396,683**

(22) Filed: **Jul. 5, 2011**

Related U.S. Application Data

(63) Continuation-in-part of application No. PCT/DK2011/050040, filed on Feb. 11, 2010.

(51) **LOC (9) Cl.** **26-99**

(52) **U.S. Cl.** **D26/142**

(58) **Field of Classification Search** D26/38, D26/36, 46, 73, 76, 81, 84, 88, 118, 138, D26/120, 13, 154, 155, 145, 86, 87, 85, 142, D26/61, 24, 93, 92, 153, 91, 89, 74, 121, D26/122, 71, 110, 105, 111, 131, 83, 80, D26/1, 2, 3, 4, 5, 26, 123, 125, 128, 63, 62, D26/64, 65, 41, 69, 139, 152, 150, 151, 141, D26/143, 144, 51, 140; 362/269, 648, 238, 362/111, 105, 86, 373, 294, 362, 297, 346, 362/341, 356, 352, 433, 404, 235, 240, 249.01-249.11, 362/321, 287, 374, 427, 190, 281, 324, 272, 362/244, 555, 147, 348, 263, 350; D10/11, D10/114.1; D22/108; 42/146, 117, 114, 42/115, 116, 142, 1.01; 439/110; 403/92, 403/97; 285/69, 78, 65; 257/89; D16/221; D13/110, 133, 134, 179, 180, 182; 160/332; D11/90, 89, 121, 125, 131; D25/119, 124, D25/125, 138; D23/386; D8/373, 354, 349, D8/389, 382, 363, 356, 377

See application file for complete search history.

(56) **References Cited**

U.S. PATENT DOCUMENTS

D322,136 S 12/1991 Shima et al.
D359,574 S * 6/1995 Bornhorst et al. D26/65
D372,550 S * 8/1996 Stultz D26/63
5,580,164 A * 12/1996 Maddox et al. 362/293

(Continued)

FOREIGN PATENT DOCUMENTS

EP 1001212 A2 5/2000

(Continued)

OTHER PUBLICATIONS

Written Opinion for PCT/DK2011/050040, Mailed May 16, 2011.

(Continued)

Primary Examiner — Kevin Rudzinski

(74) *Attorney, Agent, or Firm* — Dykema Gossett PLLC

(57) **CLAIM**

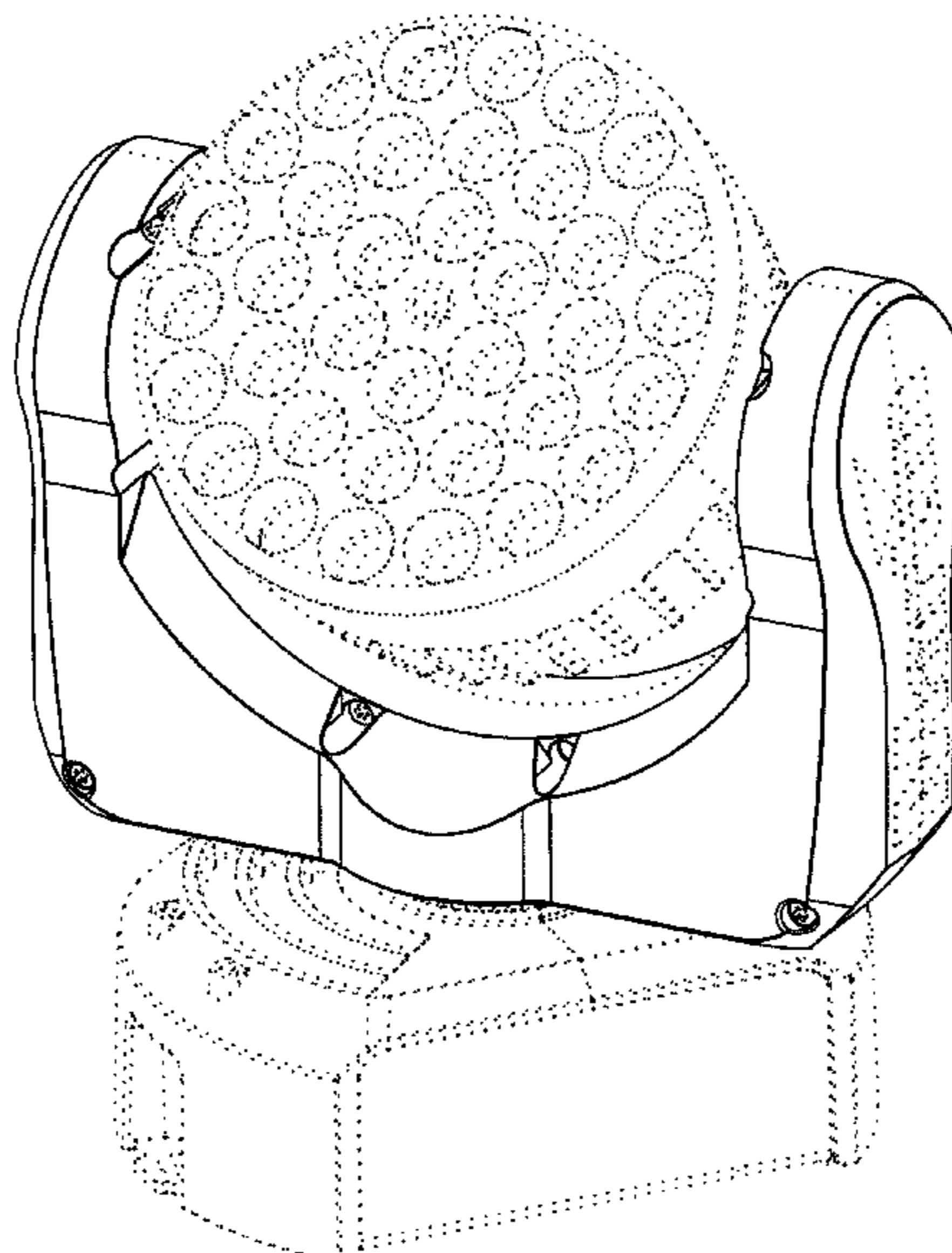
The ornamental design for a mounting element for moving head for a light fixture, as shown and described.

DESCRIPTION

FIG. 1 is a first perspective view for a mounting element for moving head for a light fixture showing my new design; FIG. 2 is a front elevational view thereof; FIG. 3 is a rear elevational view thereof; FIG. 4 is a left side elevational view thereof; FIG. 5 is a right side elevational view thereof; FIG. 6 is a top plan view thereof; FIG. 7 is a bottom plan view thereof; and, FIG. 8 is a second perspective view thereof.

The broken lines showing the light fixture in FIG. 1 are shown for illustrative purposes only and form no part of the claimed design. The broken lines showing elements of the mounting element of moving head for a light fixture in FIGS. 1-8 form no part of the claimed design.

1 Claim, 8 Drawing Sheets



US D664,707 S

Page 2

U.S. PATENT DOCUMENTS

D413,995 S * 9/1999 Lee et al. D26/63
D417,300 S 11/1999 Stacy et al.
D439,356 S * 3/2001 Martinson et al. D26/63
D457,673 S 5/2002 Martinson et al.
D492,436 S 6/2004 Smith et al.
D496,744 S 9/2004 Smith et al.
6,955,447 B2 * 10/2005 Lui 362/233
D544,110 S * 6/2007 Hooker et al. D26/2
D560,300 S * 1/2008 Compton et al. D26/61
D561,917 S * 2/2008 Tsao D26/2
7,341,363 B1 * 3/2008 Richardson 362/396
D566,316 S * 4/2008 Hill et al. D26/59
D566,861 S * 4/2008 Takada et al. D26/1
D571,951 S * 6/2008 Melzner et al. D26/138
D578,230 S * 10/2008 Huang D26/28
D589,636 S * 3/2009 Pinette D26/63
D592,330 S * 5/2009 Huang D26/28
D598,144 S * 8/2009 Ko D26/28
D598,595 S * 8/2009 Levine D26/63
D601,727 S * 10/2009 Huang D26/28
D605,339 S 12/2009 Quadri
D605,789 S * 12/2009 Ko D26/28
D612,532 S 3/2010 Toft
D614,344 S 4/2010 Toft
7,699,506 B2 * 4/2010 Andersen et al. 362/373
D618,377 S * 6/2010 Toft D26/93

D620,187 S * 7/2010 Quadri D26/113
7,789,525 B2 * 9/2010 Vinther 362/190
D625,452 S * 10/2010 Yamada D26/63
D626,255 S * 10/2010 Hiratsuka D26/1
D626,666 S * 11/2010 Yamamoto et al. D26/2
D638,573 S 5/2011 Toft
D639,983 S * 6/2011 Quadri D26/24
D642,309 S * 7/2011 Huang D26/28
2004/0070984 A1 4/2004 Smith et al.
2008/0062692 A1 * 3/2008 Andersen et al. 362/275
2008/0080190 A1 * 4/2008 Walczak et al. 362/294
2009/0154165 A1 * 6/2009 Salm et al. 362/272
2009/0323364 A1 * 12/2009 Bornhorst et al. 362/418
2011/0199770 A1 * 8/2011 Pedersen 362/249.03

FOREIGN PATENT DOCUMENTS

EP 1898145 A1 3/2008

OTHER PUBLICATIONS

International Search Report for PCT/DK2011/050040, Mailed May 16, 2011.

Danish Search Report for Danish Application No. PA2010 00127, date completed Sep. 30, 2010.

Office Action for Danish Application No. PA 2010 00127, Mailed Oct. 1, 2010.

* cited by examiner

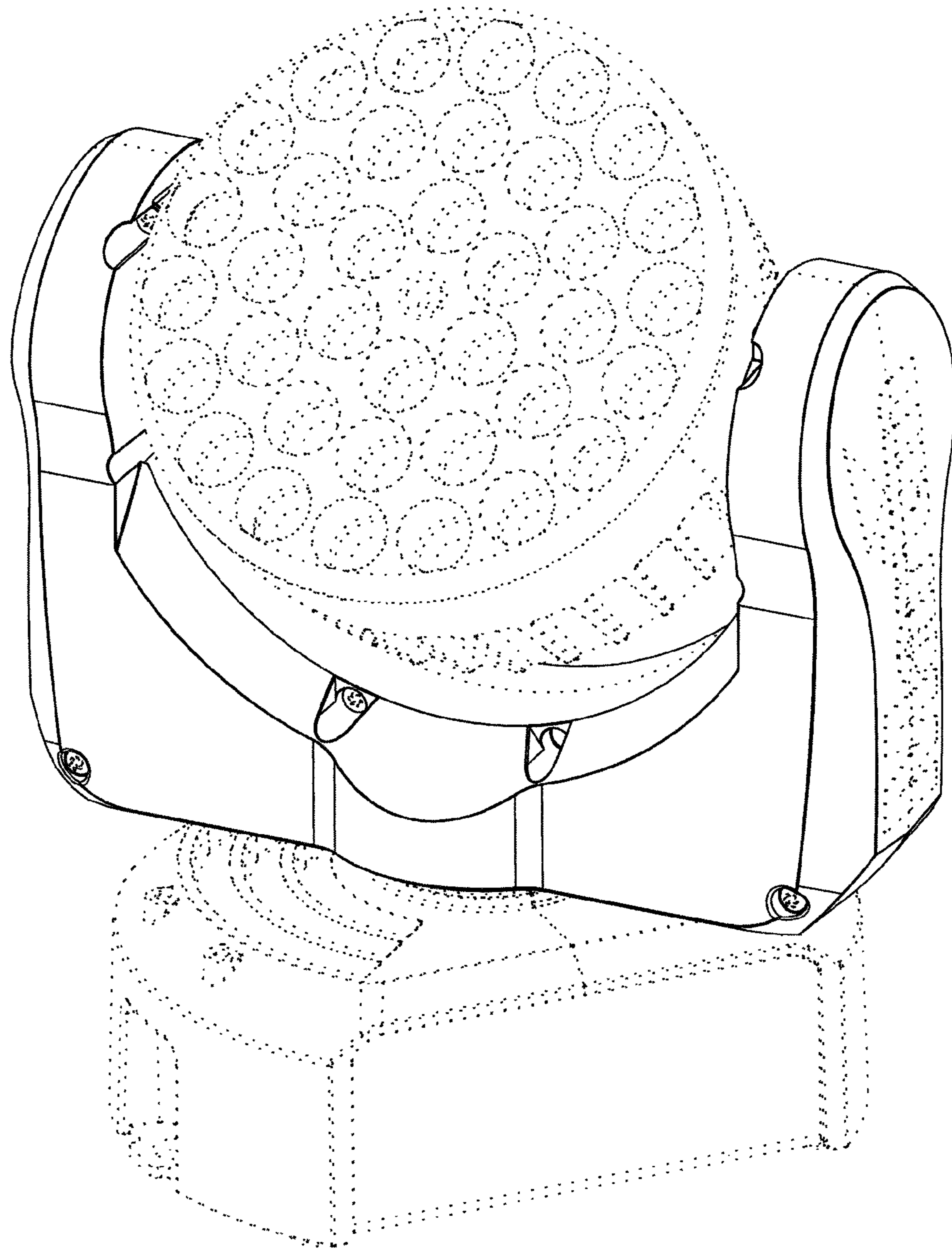


Fig. 1

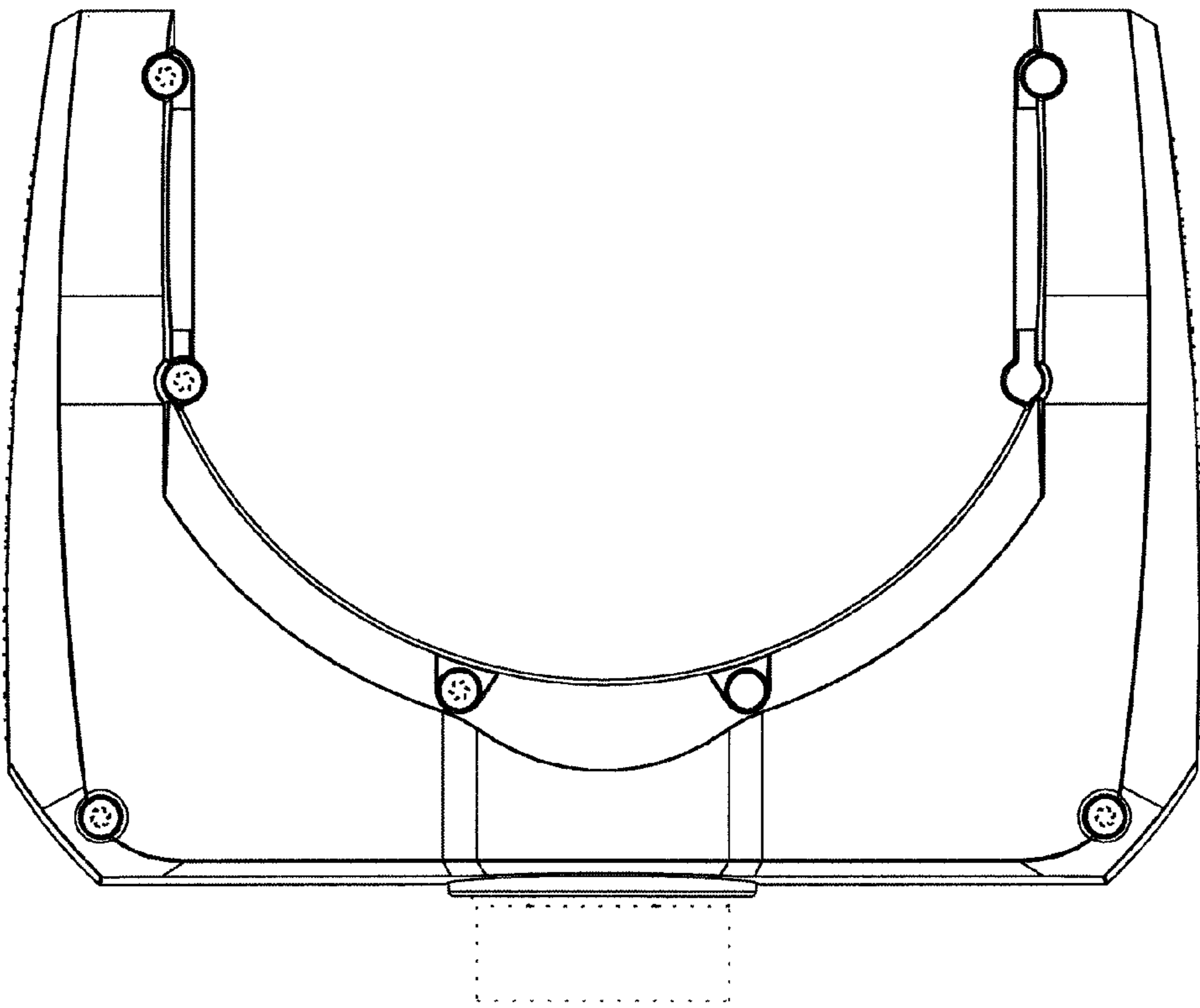


Fig. 2

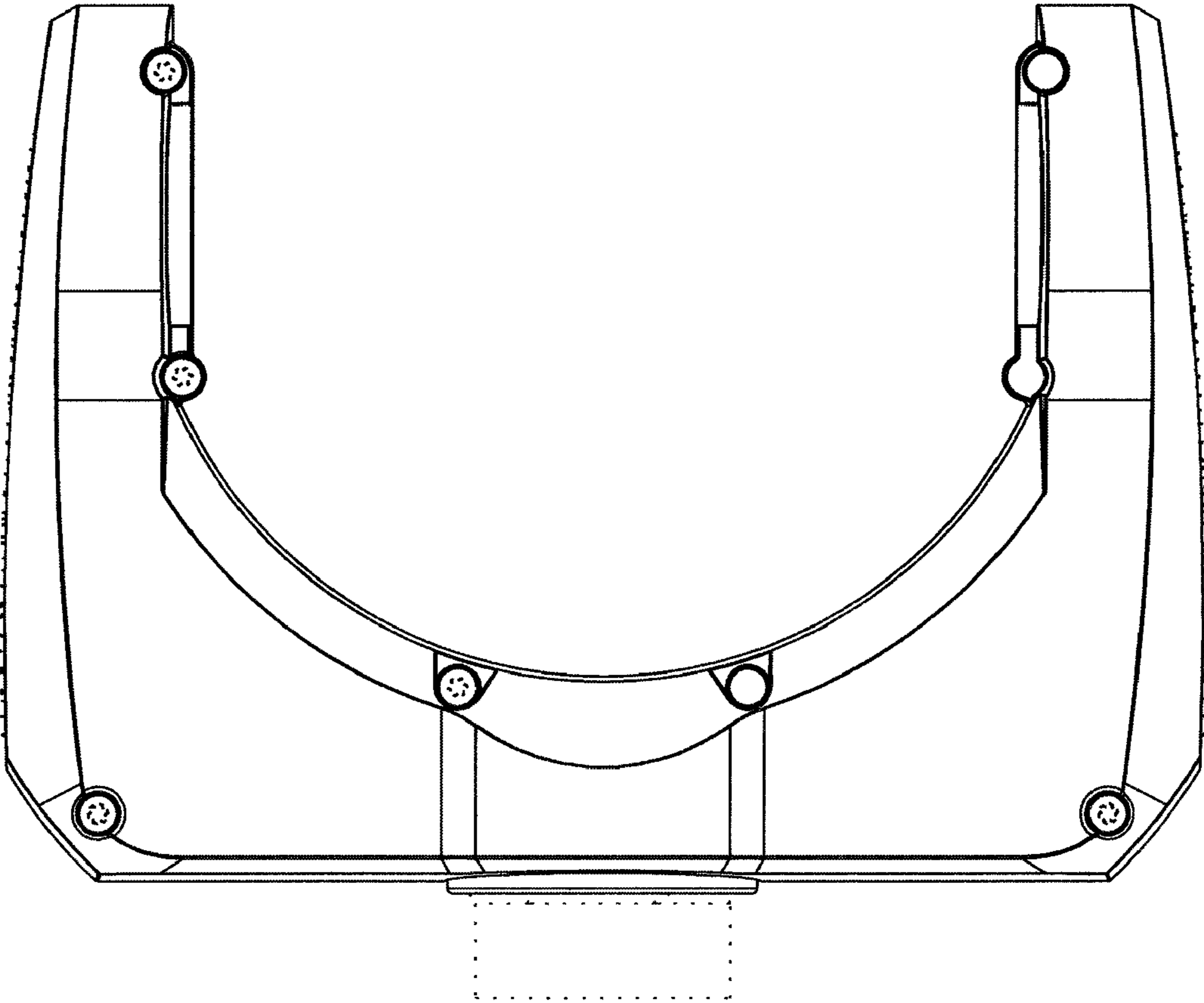


Fig. 3

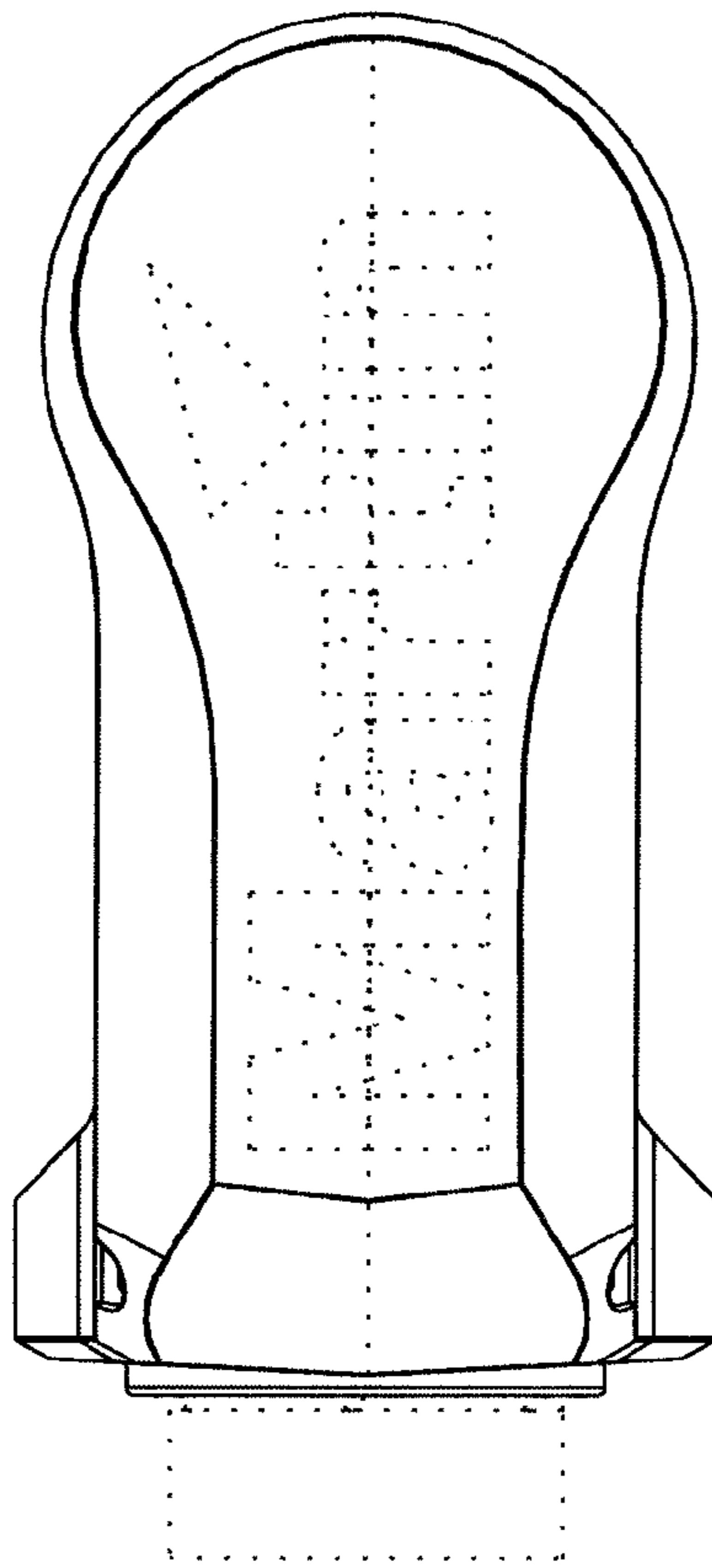


Fig. 4

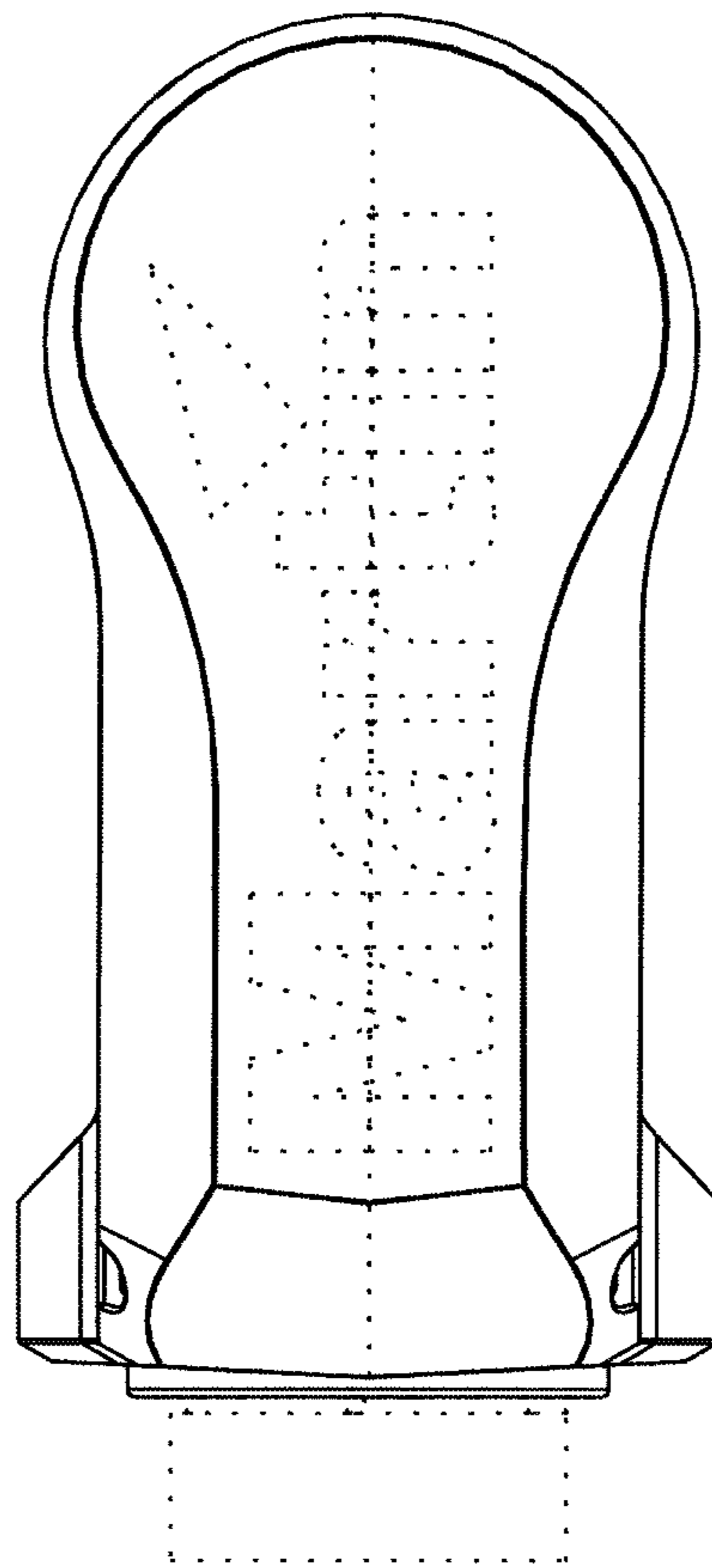


Fig. 5

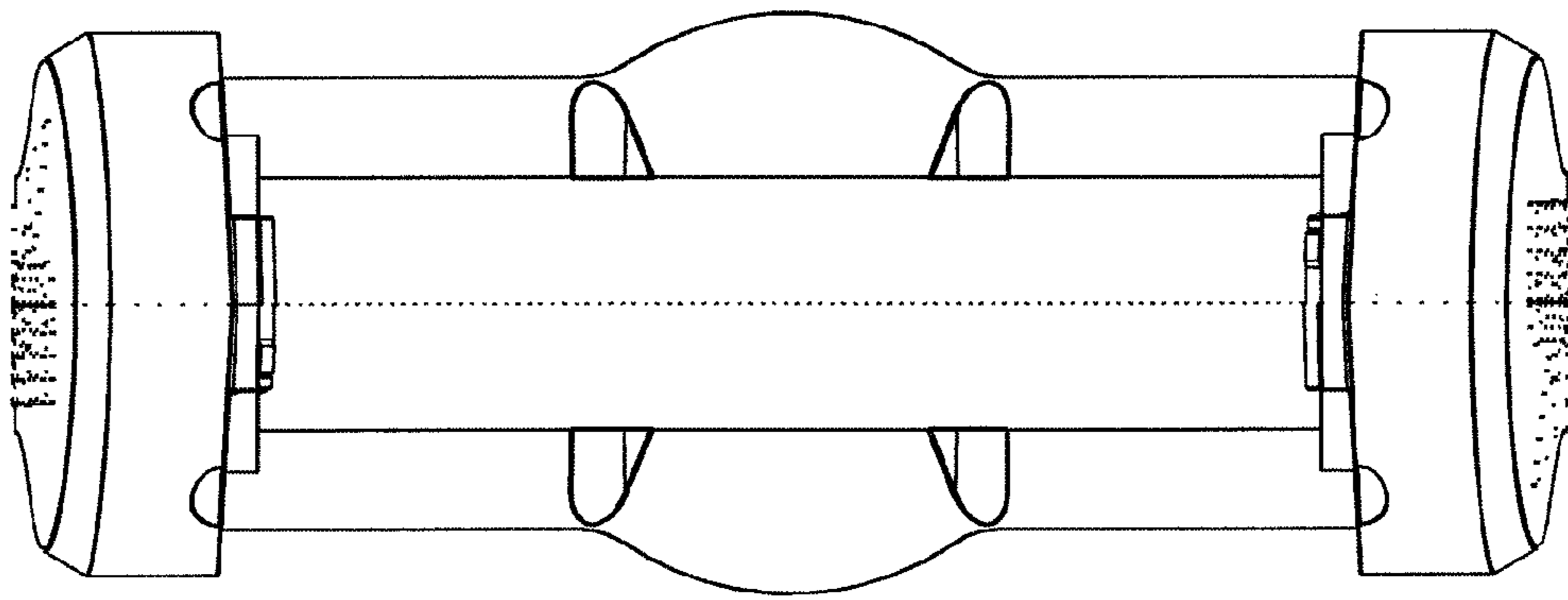


Fig. 6

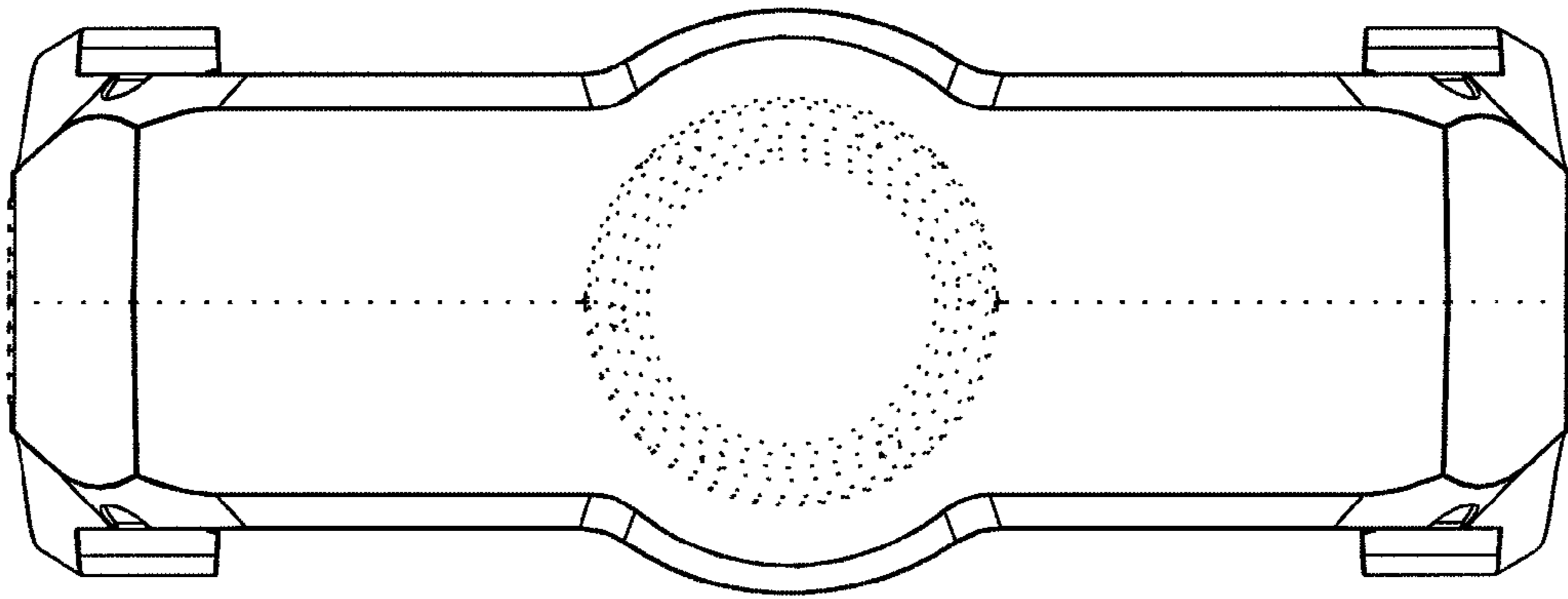


Fig. 7

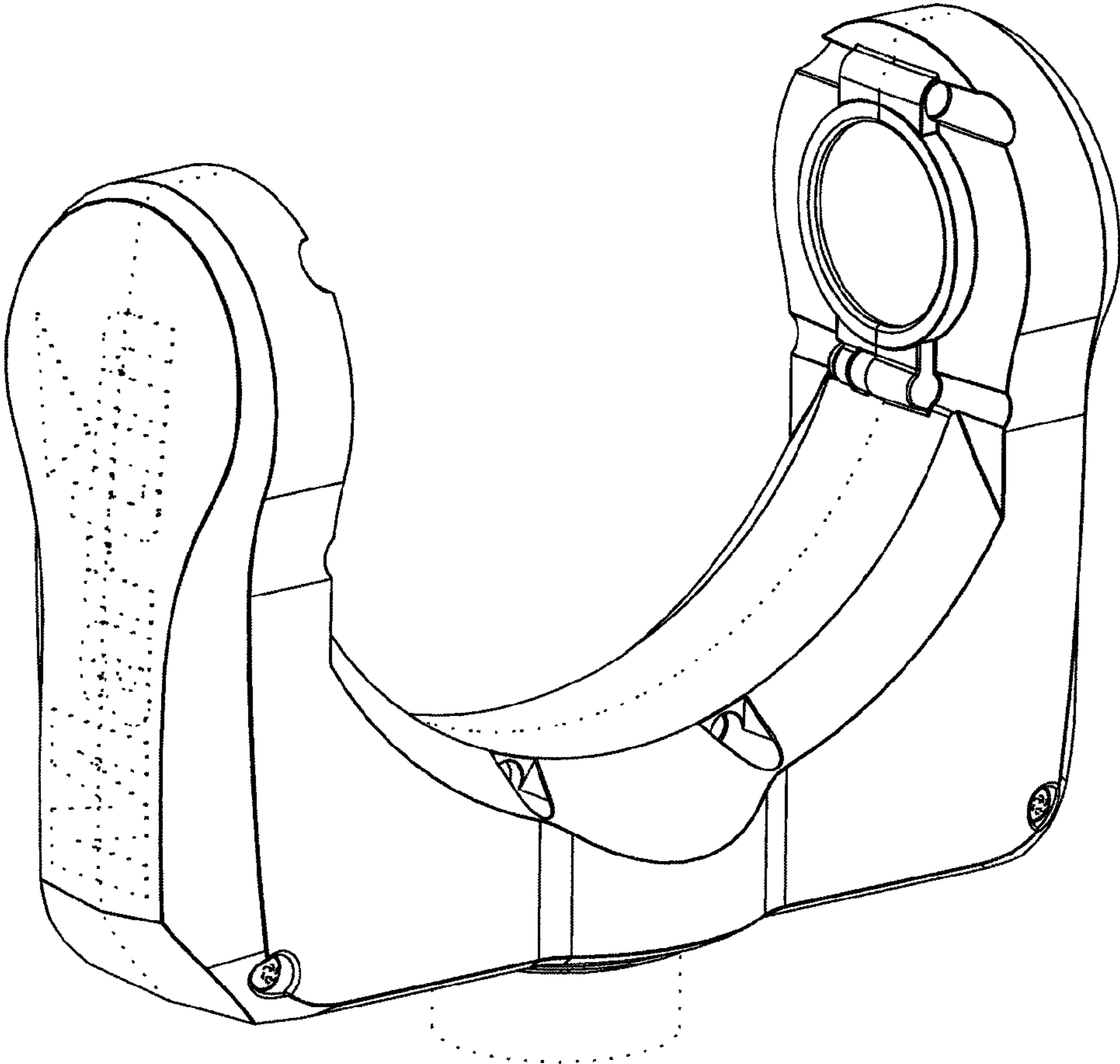


Fig. 8

UNITED STATES PATENT AND TRADEMARK OFFICE
CERTIFICATE OF CORRECTION

PATENT NO. : D664,707 S
APPLICATION NO. : 29/396683
DATED : July 31, 2012
INVENTOR(S) : Uffe Kjaergaard Toft

Page 1 of 1

It is certified that error appears in the above-identified patent and that said Letters Patent is hereby corrected as shown below:

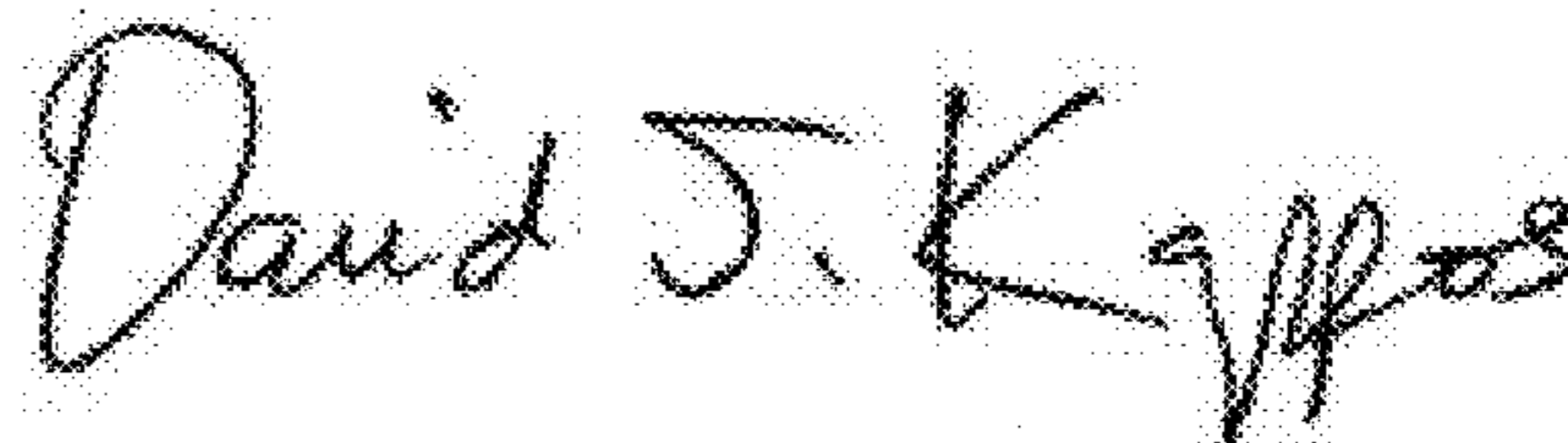
Title page, under “(22) Filed: Jul. 5, 2011”, please insert:

-- (30) Foreign Application Priority Data
Feb. 16, 2010 (DK) DK PA 2010 0127--

Under the heading “Related U.S. Application Data”:

“Feb. 11, 2010” should be “Feb. 11, 2011”

Signed and Sealed this
Thirtieth Day of October, 2012



David J. Kappos
Director of the United States Patent and Trademark Office