

US00D664706S

(12) **United States Design Patent**
Schieffelin et al.

(10) **Patent No.:** **US D664,706 S**
(45) **Date of Patent:** **** Jul. 31, 2012**

(54) **LUMINAIRE**

(75) Inventors: **Allison K. Schieffelin**, New Haven, CT (US); **James A. Melling**, New Haven, CT (US); **Wooyeon Cho**, Stratford, CT (US); **Matthew R. Bullard**, Milford, CT (US)

(73) Assignee: **Sylvan R. Shemitz Designs Incorporated**, West Haven, CT (US)

(**) Term: **14 Years**

(21) Appl. No.: **29/375,085**

(22) Filed: **Sep. 17, 2010**

Related U.S. Application Data

(63) Continuation of application No. 29/334,102, filed on Mar. 20, 2009, now Pat. No. Des. 626,269.

(51) **LOC (9) Cl.** **26-99**

(52) **U.S. Cl.** **D26/122**

(58) **Field of Classification Search** D26/122, D26/138, 118, 120, 76, 80, 63, 62, 68, 121, D26/155, 152, 2, 24, 25, 26, 28, 46, 47, 48, D26/49, 60, 67, 71, 72, 73, 78, 79, 81, 83, D26/85, 88, 93, 101, 102, 103, 104, 105, D26/110, 113, 119, 123, 124, 128, 127, 129, D26/130, 135, 137, 154, 86, 90, 140, 142, D26/145; 362/362, 363, 326, 329, 330, 342, 362/351, 356, 357, 296, 297, 299, 300, 301, 362/302, 317, 325, 377, 121, 147, 148, 151, 362/171, 186, 218, 219, 648, 650, 257, 279, 362/280, 290, 292, 293; D13/179, 180

See application file for complete search history.

(56) **References Cited**

U.S. PATENT DOCUMENTS

D26,864	S	*	4/1897	Winslow	D25/103
1,941,079	A	*	12/1933	Exelmans	362/224
2,194,841	A	*	3/1940	Welch	362/217.05
D127,398	S	*	5/1941	Jordan	D26/76
D132,296	S	*	5/1942	Hoeveler	D26/122
D145,323	S	*	7/1946	Nitardy	D26/78
2,421,967	A	*	6/1947	Schepmoes	362/223
D152,250	S	*	1/1949	Franck et al.	D26/122
D159,300	S	*	7/1950	Schwartz et al.	D26/122
D160,417	S	*	10/1950	Nitardy	D26/77
D166,370	S	*	4/1952	Wilson	D26/85
2,623,160	A	*	12/1952	McPhail	362/223
2,741,694	A	*	4/1956	Wiig et al.	362/340
3,125,301	A	*	3/1964	Stotter	362/217.06
3,973,756	A	*	8/1976	Lauzier	256/21

(Continued)

Primary Examiner — Kevin Rudzinski

(74) *Attorney, Agent, or Firm* — Cantor Colburn LLP

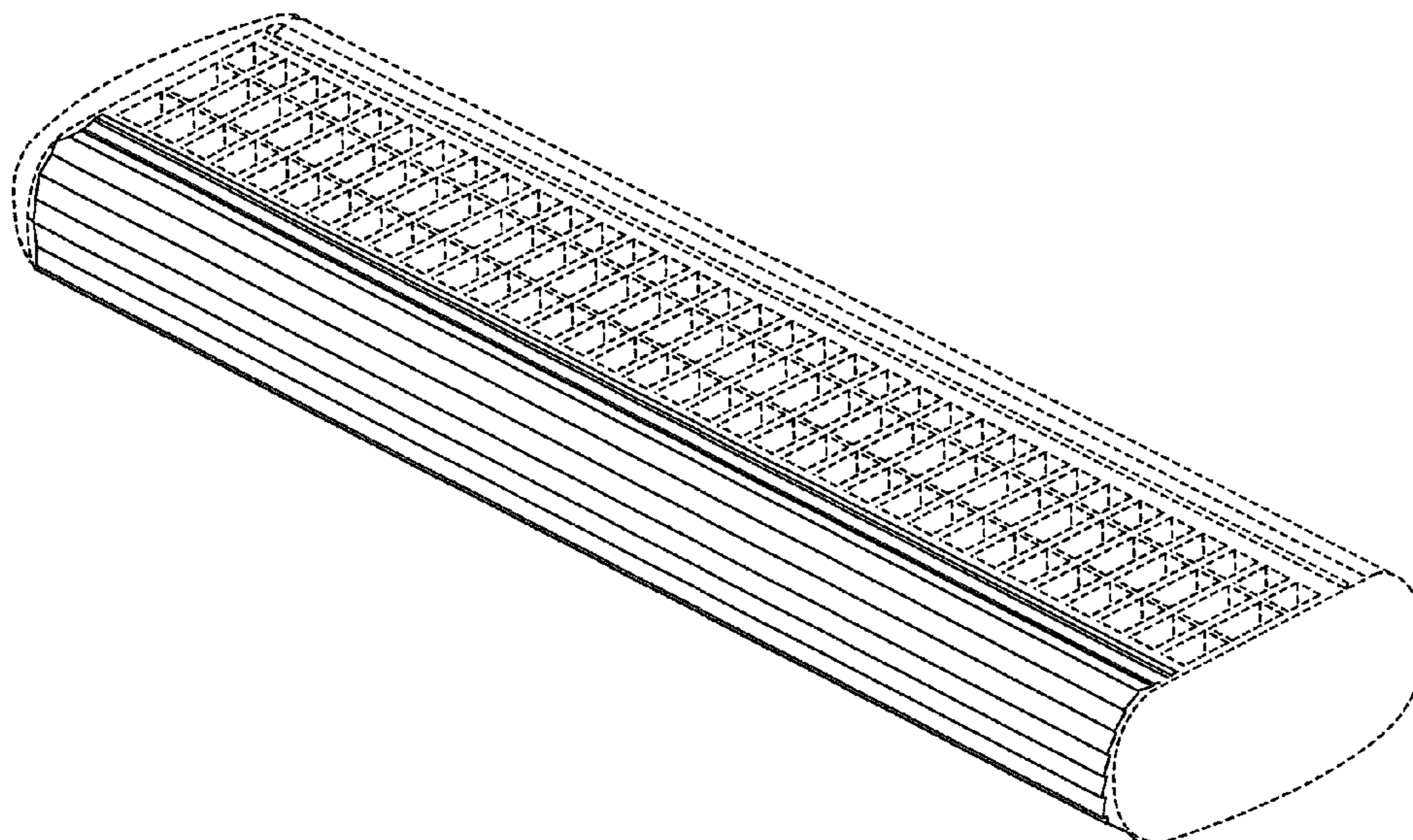
(57) **CLAIM**

We claim, the ornamental design for a luminaire, as shown and described.

DESCRIPTION

FIG. 1 is a perspective view of a luminaire, showing our new design;
FIG. 2 is an enlarged top plan view thereof, shown broken away for convenience of illustration;
FIG. 3 is an enlarged side elevation view thereof shown broken away for convenience of illustration;
FIG. 4 is a perspective view of a luminaire, showing our new design in another embodiment;
FIG. 5 is an enlarged top plan view thereof, shown broken away for convenience of illustration; and,
FIG. 6 is an enlarged side elevation view thereof shown broken away for convenience of illustration.
The broken lines shown in the drawings illustrate portions of the luminaire that form no part of the claimed design.

1 Claim, 2 Drawing Sheets



US D664,706 S

Page 2

U.S. PATENT DOCUMENTS

D243,339	S *	2/1977	England	D13/102
4,586,697	A *	5/1986	Tornya	256/65.11
4,644,454	A *	2/1987	Herst et al.	362/224
4,667,275	A *	5/1987	Herst et al.	362/223
D302,049	S *	7/1989	Gecchelin	D26/122
4,891,737	A *	1/1990	Szymanek	362/223
D306,491	S *	3/1990	Hallengren	D25/124
4,933,821	A *	6/1990	Anderson	362/223
D316,613	S *	4/1991	Stein	D26/122
D318,929	S *	8/1991	Herst et al.	D26/76
5,113,329	A *	5/1992	Lin	362/238
D329,300	S *	9/1992	Hong	D26/78
5,192,129	A *	3/1993	Figueroa	362/346
D335,353	S *	5/1993	Baker	D25/38
D337,257	S *	7/1993	Danieli	D8/376
D351,039	S	9/1994	Cole, Jr.		
D353,467	S *	12/1994	Raynes	D25/38
5,414,604	A *	5/1995	Anderson	362/217.07
D362,315	S *	9/1995	Herst et al.	D26/76
5,521,792	A *	5/1996	Pleitz et al.	361/715
D378,432	S *	3/1997	Raynes	D25/164
D378,860	S	4/1997	Galletly		
D381,760	S *	7/1997	Costa	D26/76
5,649,688	A *	7/1997	Baker	256/21
5,658,067	A *	8/1997	Engle et al.	362/222
D384,178	S *	9/1997	Costa	D26/76
5,746,502	A *	5/1998	Huang	362/223
D404,161	S *	1/1999	Herst et al.	D26/76
D405,628	S *	2/1999	Terrana et al.	D6/472
D421,505	S *	3/2000	Hastings et al.	D26/76
6,053,624	A *	4/2000	Cronk	362/347
D425,225	S *	5/2000	Holderfield	D26/37
6,174,074	B1 *	1/2001	Lahijani	362/264
D437,959	S *	2/2001	Lewis	D26/76
D438,326	S *	2/2001	Kan	D26/76
6,231,209	B1 *	5/2001	Leibig et al.	362/219
D445,214	S *	7/2001	Lewis	D26/113
6,361,186	B1 *	3/2002	Slayden	362/241
D461,022	S *	7/2002	Eberlein et al.	D26/118
6,585,393	B1 *	7/2003	Brandes et al.	362/235
6,609,813	B1 *	8/2003	Showers et al.	362/240
D480,500	S	10/2003	Herst et al.		
6,659,623	B2 *	12/2003	Friend	362/249.06
D486,340	S *	2/2004	Sudano	D6/577
D490,927	S *	6/2004	Keller	D26/77
D493,565	S *	7/2004	Smith et al.	D26/118
D494,801	S *	8/2004	Lee	D6/580
D498,018	S *	11/2004	Sieczkowski	D26/118
D500,883	S *	1/2005	Herst et al.	D26/118
D504,190	S *	4/2005	Keller	D26/76
D523,165	S *	6/2006	Schultz	D26/76
D530,040	S *	10/2006	Smith et al.	D26/104
D530,558	S *	10/2006	Damiano	D6/580
D540,969	S *	4/2007	Ueda et al.	D26/37
D544,138	S *	6/2007	Hargreaves	D26/118
D544,980	S	6/2007	Hargreaves		
D545,482	S *	6/2007	Mayfield et al.	D26/118
D545,996	S *	7/2007	Hargreaves	D26/118
7,244,058	B2 *	7/2007	DiPenti et al.	362/547
D551,362	S *	9/2007	Ottosson et al.	D26/26
D551,792	S *	9/2007	Philpot et al.	D26/76
D558,569	S *	1/2008	Hanley	D8/400
D562,570	S *	2/2008	Leyden	D6/309
7,329,022	B2 *	2/2008	Tran et al.	362/147
D564,692	S *	3/2008	Pfund	D26/72
D567,425	S *	4/2008	Yates	D26/76
7,359,203	B2 *	4/2008	Chen	361/714
D570,533	S *	6/2008	Morgan	D26/138
D578,699	S *	10/2008	Ohno et al.	D26/72
D582,602	S *	12/2008	Maxik et al.	D26/118
D584,844	S *	1/2009	Ghini	D26/76
D590,099	S *	4/2009	Maxik et al.	D26/118
D591,442	S	4/2009	Ford et al.		
D595,443	S *	6/2009	Tran et al.	D26/76
D595,984	S *	7/2009	Kollman et al.	D6/580
D596,347	S *	7/2009	Boissevain	D26/142
D602,627	S	10/2009	Lasthein et al.		
D603,079	S *	10/2009	Toot et al.	D26/76
7,604,376	B2 *	10/2009	Sloan et al.	362/246
D603,548	S *	11/2009	Pei et al.	D26/76
D607,599	S *	1/2010	Zhou et al.	D26/80
7,654,703	B2 *	2/2010	Kan et al.	362/362
7,674,010	B2 *	3/2010	Griffiths et al.	362/249.02
7,712,929	B2 *	5/2010	Schaefer et al.	362/297
D617,488	S *	6/2010	Cho	D26/76
D621,542	S *	8/2010	Klus	D26/138
D622,441	S *	8/2010	Warner et al.	D26/138
D623,342	S *	9/2010	Klus	D26/138
D623,343	S *	9/2010	Klus	D26/138
D625,463	S *	10/2010	Klus	D26/138
D626,269	S *	10/2010	Schieffelin et al.	D26/77
7,813,131	B2 *	10/2010	Liang	361/704
D627,095	S *	11/2010	Miyairi et al.	D26/120
2004/0037081	A1 *	2/2004	Blandford	362/283
2007/0285930	A1 *	12/2007	Chen	362/373
2008/0030981	A1 *	2/2008	Mrakovich et al.	362/219
2009/0002978	A1 *	1/2009	Tran et al.	362/223
2009/0207602	A1 *	8/2009	Reed et al.	362/225
2009/0219713	A1 *	9/2009	Siemiet et al.	362/218

* cited by examiner

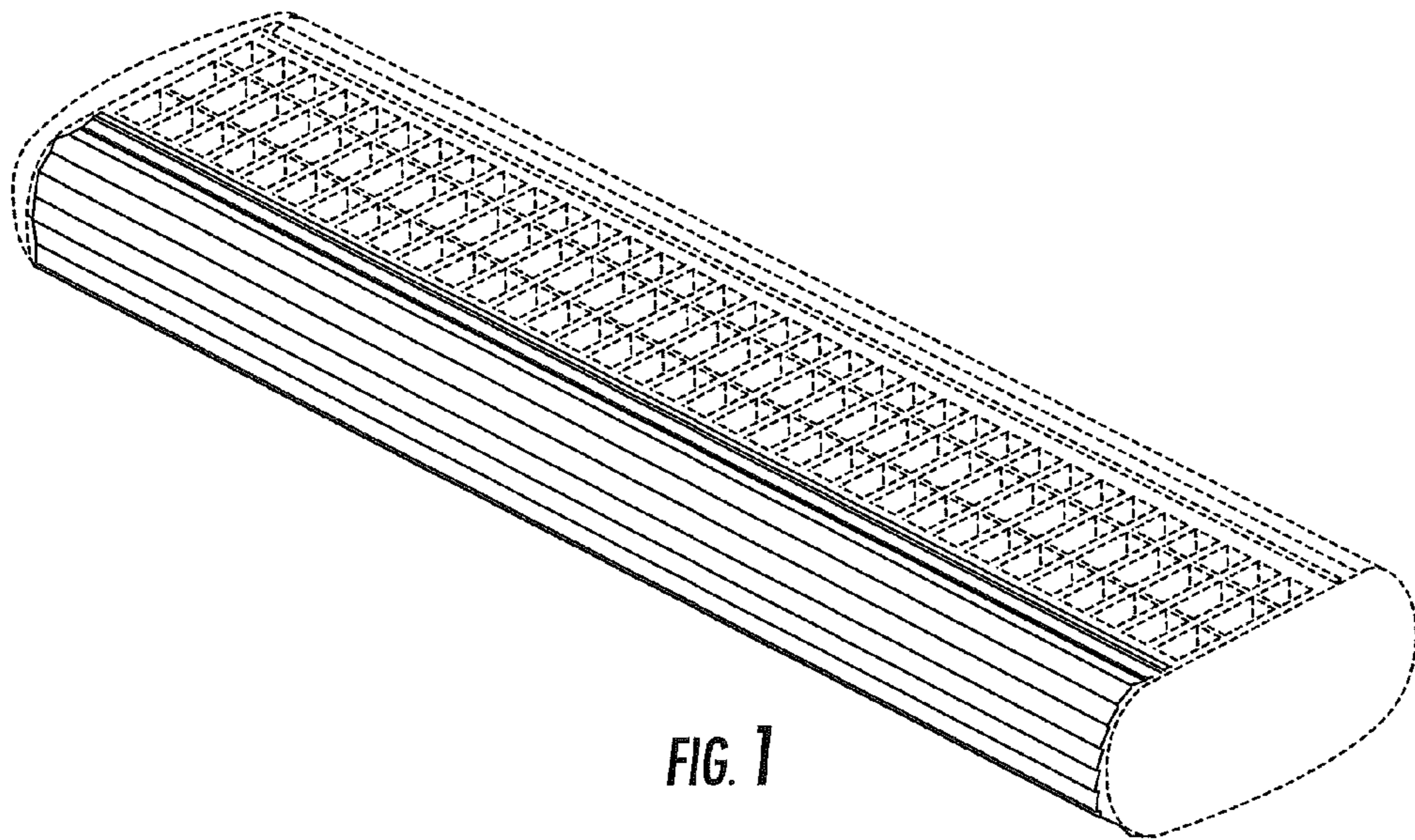


FIG. 1

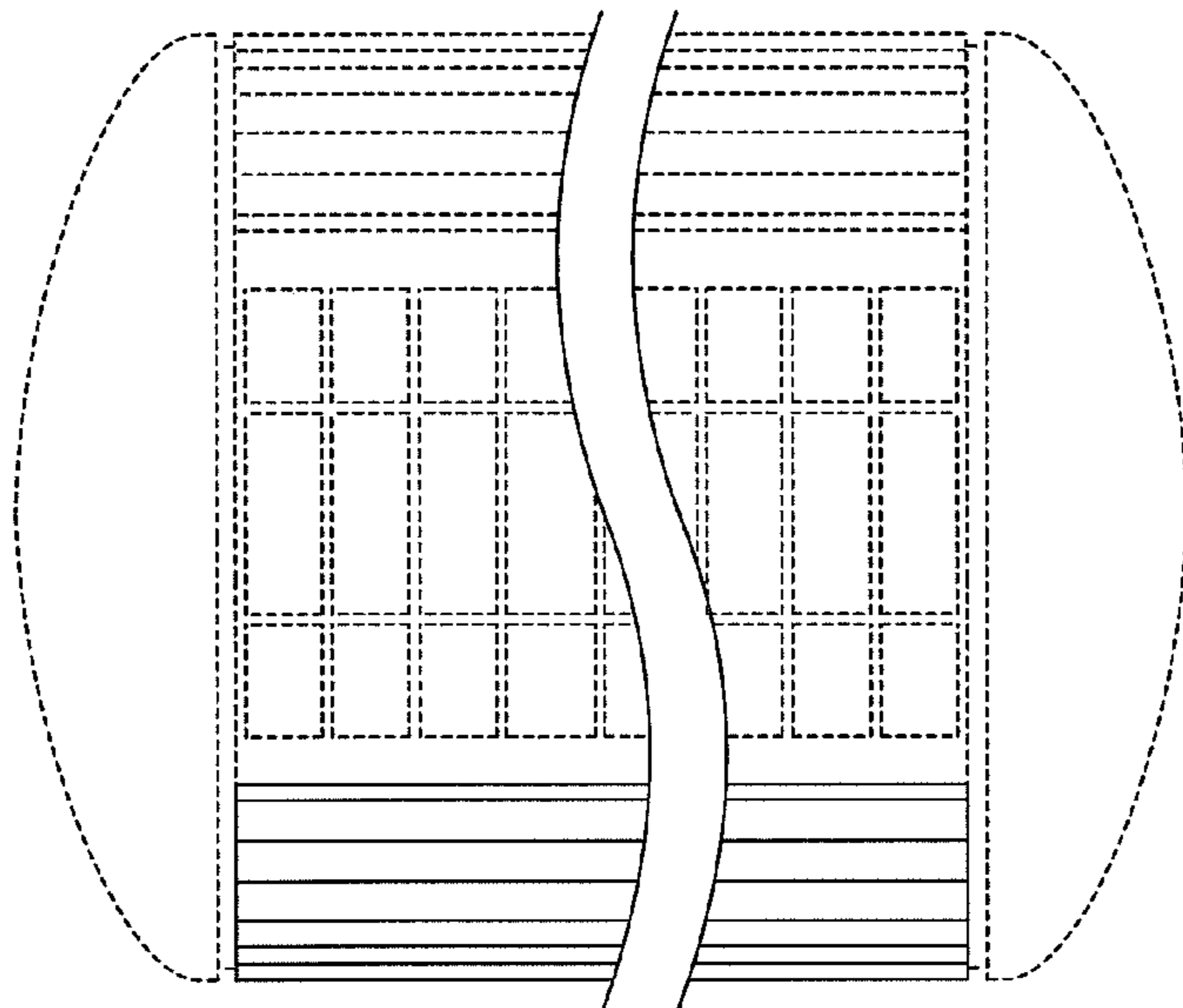


FIG. 2

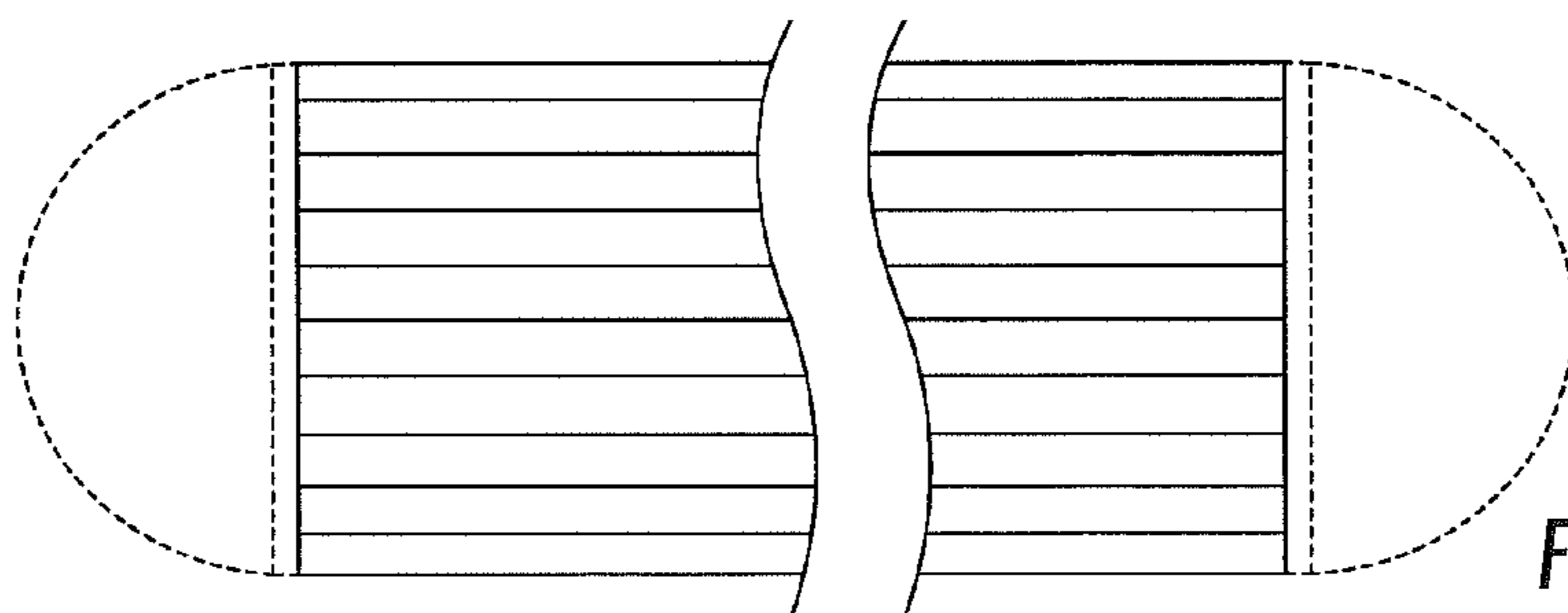


FIG. 3

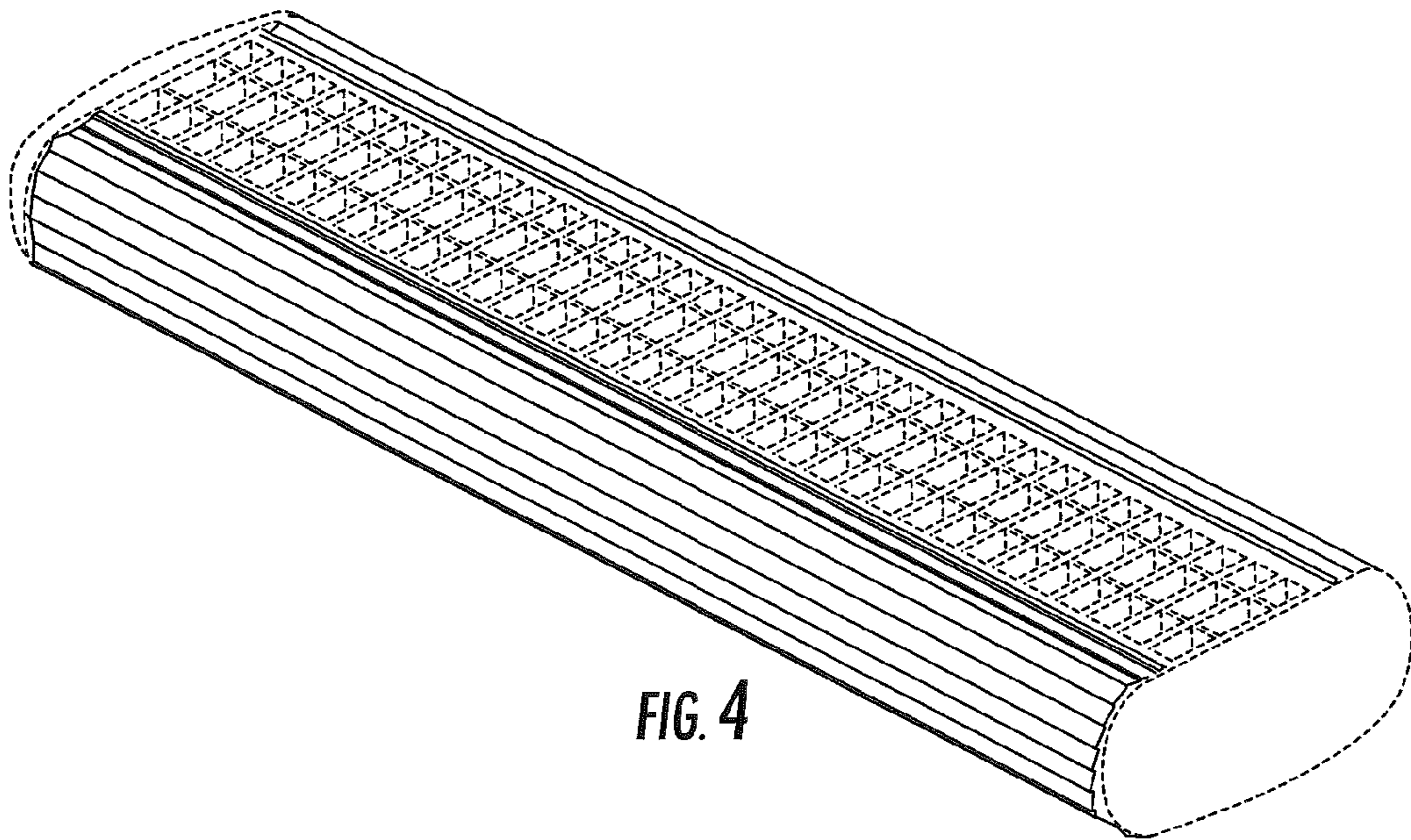


FIG. 4

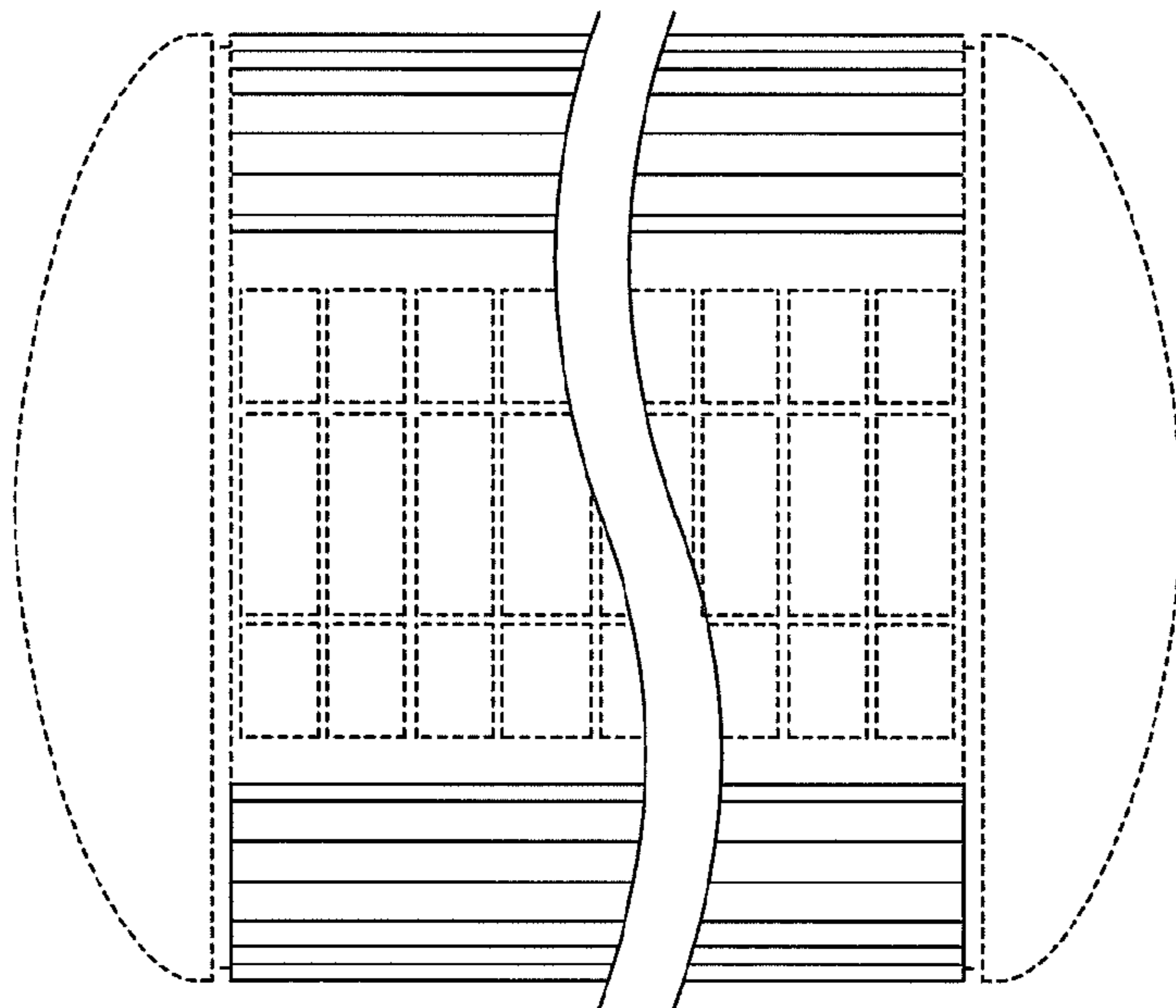


FIG. 5

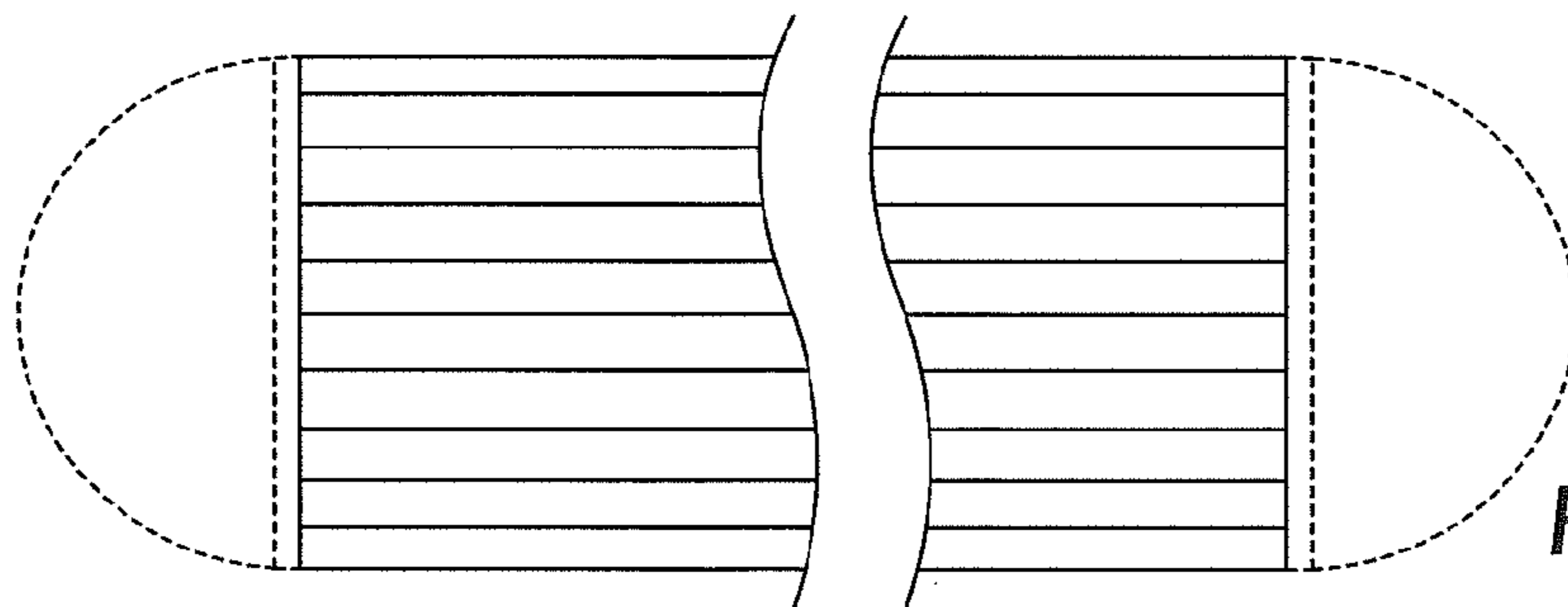


FIG. 6