



US00D664705S

(12) **United States Design Patent**  
**Kong et al.**

(10) **Patent No.:** **US D664,705 S**  
(45) **Date of Patent:** **\*\* Jul. 31, 2012**

(54) **LED LAMP MODULE**  
(75) Inventors: **Kyung-II Kong**, Seoul (KR); **Hwayoung Kim**, Seoul (KR); **Jihoo Kim**, Seoul (KR)  
(73) Assignee: **LG Innotek Co., Ltd.**, Seoul (KR)  
(\*\*) Term: **14 Years**

6,543,522 B1 \* 4/2003 Hegde ..... 165/80.3  
D481,688 S \* 11/2003 Lee et al. .... D13/179  
D482,485 S \* 11/2003 Benghozi ..... D26/85  
D484,270 S \* 12/2003 Yiu ..... D26/89  
D486,940 S \* 2/2004 Yiu ..... D26/138  
D487,816 S \* 3/2004 Benghozi ..... D26/118  
D487,817 S \* 3/2004 Benghozi ..... D26/118  
D497,447 S \* 10/2004 Yoneda ..... D26/72  
D500,745 S \* 1/2005 Duan et al. .... D13/179  
D539,464 S \* 3/2007 Dworschak ..... D26/92

(Continued)

(21) Appl. No.: **29/376,803**

Primary Examiner — Kevin Rudzinski

(22) Filed: **Oct. 12, 2010**

(74) Attorney, Agent, or Firm — KED & Associates LLP

(51) **LOC (9) Cl.** ..... **26-99**

(57) **CLAIM**

(52) **U.S. Cl.** ..... **D26/113**

We claim the ornamental design for a LED lamp module, as shown and described.

(58) **Field of Classification Search** ..... 248/343;  
D13/179, 180, 134, 146; 361/697; 362/218,  
362/223, 260, 346, 364, 362, 382, 147, 547,  
362/150, 219, 220, 224, 247, 354, 555, 343,  
362/511; D24/210; D23/328; D26/118,  
D26/120, 113, 119, 121, 122, 123, 124, 125,  
D26/126, 128, 129, 130, 131, 132, 135, 138,  
D26/140, 141, 142, 152, 24, 25, 59, 60, 61,  
D26/72, 74, 75, 76, 77, 78, 88, 85, 87, 89,  
D26/90, 91, 153, 154, 155, 143, 144, 145,  
D26/71, 67, 65, 64, 1, 2, 3

**DESCRIPTION**

See application file for complete search history.

FIG. 1 is a front perspective view of a LED lamp module according to our design;  
FIG. 2 is a front view of the LED lamp module of FIG. 1;  
FIG. 3 is a rear view of the LED lamp module of FIG. 1;  
FIG. 4 is a left side view of the LED lamp module of FIG. 1;  
FIG. 5 is a right side view of the LED lamp module of FIG. 1;  
FIG. 6 is a top view of the LED lamp module of FIG. 1;  
FIG. 7 is a bottom view of the LED lamp module of FIG. 1;  
and,

(56) **References Cited**

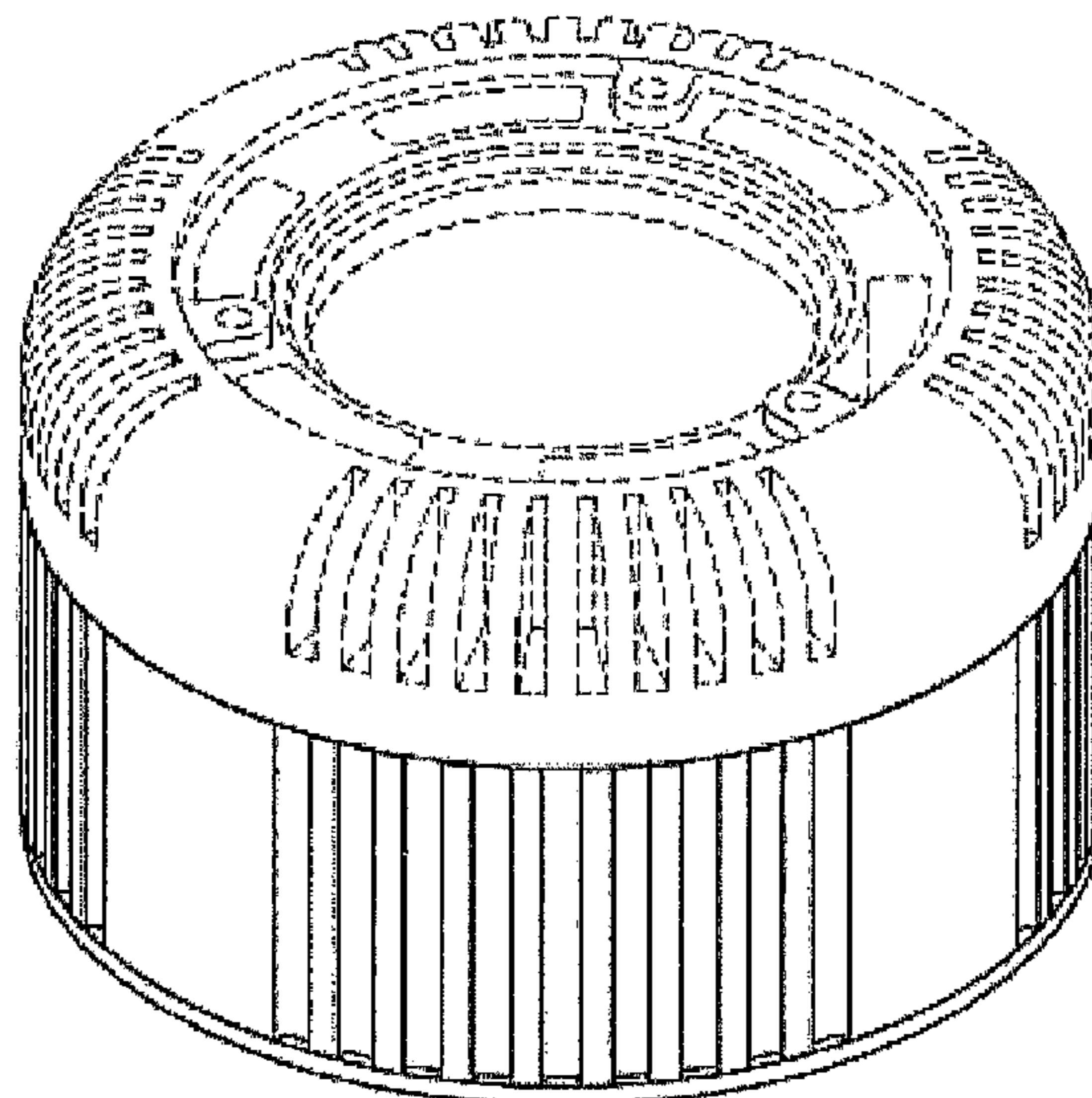
FIG. 8 is a front perspective view of the LED lamp module of FIG. 1 shown in use with the light emitting part in diagonal dash-dot lines.

**U.S. PATENT DOCUMENTS**

D285,357 S \* 8/1986 Pritchett ..... D26/61  
D324,924 S \* 3/1992 Bengochea ..... D26/88  
D377,104 S \* 12/1996 Roberts ..... D26/24  
D427,946 S \* 7/2000 Kuo-An ..... D12/114  
D442,565 S \* 5/2001 Chou et al. .... D13/179  
6,253,452 B1 \* 7/2001 Chen et al. .... 29/890.05  
6,375,338 B1 \* 4/2002 Cummings et al. .... 362/276  
D464,939 S \* 10/2002 Chuang et al. .... D13/179

The broken lines shown in the drawings illustrating environmental structures form no part of the claimed design. The dash-dot lines shown in FIG. 8 to illustrate the light emitting part of the LED lamp module form no part of the claimed design.

**1 Claim, 4 Drawing Sheets**



# US D664,705 S

Page 2

## U.S. PATENT DOCUMENTS

D561,917	S *	2/2008	Tsao	.....	D26/2				
D561,924	S *	2/2008	Yiu	.....	D26/72				
D562,492	S *	2/2008	Chen	.....	D26/85				
D564,698	S *	3/2008	Homann	.....	D26/118				
D566,323	S *	4/2008	Piepgras et al.	.....	D26/123				
D570,034	S *	5/2008	Westerheide	.....	D26/118				
D574,095	S *	7/2008	Hill et al.	.....	D26/26				
D578,694	S *	10/2008	Zeng et al.	.....	D26/70				
D583,984	S *	12/2008	Takahashi et al.	.....	D26/89				
D588,290	S *	3/2009	Coushaine et al.	.....	D26/28				
D589,175	S *	3/2009	Xue	.....	D26/2				
D591,894	S *	5/2009	Flank	.....	D26/74				
D592,613	S *	5/2009	Plonski et al.	.....	D13/179				
7,532,472	B2 *	5/2009	Lin et al.	.....	361/697				
D593,963	S *	6/2009	Plonski et al.	.....	D13/179				
D596,330	S *	7/2009	Pickard et al.	.....	D26/74				
7,611,264	B1 *	11/2009	Chang et al.	.....	362/249.02				
D610,289	S *	2/2010	Yoshinobu et al.	.....	D26/74				
D611,650	S *	3/2010	Broekhoff	.....	D26/134				
7,682,050	B2 *	3/2010	Xiang et al.	.....	362/294				
7,726,846	B2 *	6/2010	Yang et al.	.....	362/294				
D621,970	S *	8/2010	Yamamoto et al.	.....	D26/2				
D625,038	S *	10/2010	Yoo	.....	D26/85				
D625,876	S *	10/2010	Chen et al.	.....	D26/74				
7,806,575	B2 *	10/2010	Willwohl et al.	.....	362/547				
7,810,957	B2 *	10/2010	Zeng et al.	.....	362/294				
D627,507	S *	11/2010	Lai et al.	.....	D26/138				
D629,151	S *	12/2010	Zaderej et al.	.....	D26/118				
7,845,393	B2 *	12/2010	Kao et al.	.....	165/80.3				
D632,839	S *	2/2011	Kim et al.	.....	D26/138				
D633,235	S *	2/2011	Zheng	.....	D26/24				
7,888,851	B2 *	2/2011	Yang et al.	.....	313/46				
D634,885	S *	3/2011	Kim et al.	.....	D26/138				
D634,886	S *	3/2011	Kim	.....	D26/138				
D636,116	S *	4/2011	Kim et al.	.....	D26/138				
D636,117	S *	4/2011	Kim et al.	.....	D26/138				
D636,118	S *	4/2011	Kim et al.	.....	D26/138				
D639,488	S *	6/2011	Yoshida et al.	.....	D26/89				
D640,820	S *	6/2011	Hopper	.....	D26/74				
D642,300	S *	7/2011	Leung	.....	D26/24				
D642,327	S *	7/2011	Fletcher et al.	.....	D26/138				
D643,562	S *	8/2011	Mier-Langner et al.	.....	D26/74				
2002/0182068	A1 *	12/2002	Liu	.....	415/176				
2005/0237746	A1 *	10/2005	Yiu	.....	362/294				
2007/0253202	A1 *	11/2007	Wu et al.	.....	362/294				
2009/0201683	A1 *	8/2009	Chuan	.....	362/294				
2009/0237891	A1 *	9/2009	Liu et al.	.....	361/714				
2010/0148672	A1 *	6/2010	Hopper	.....	315/113				
2010/0259935	A1 *	10/2010	Scordino et al.	.....	362/294				

\* cited by examiner

Figure 1

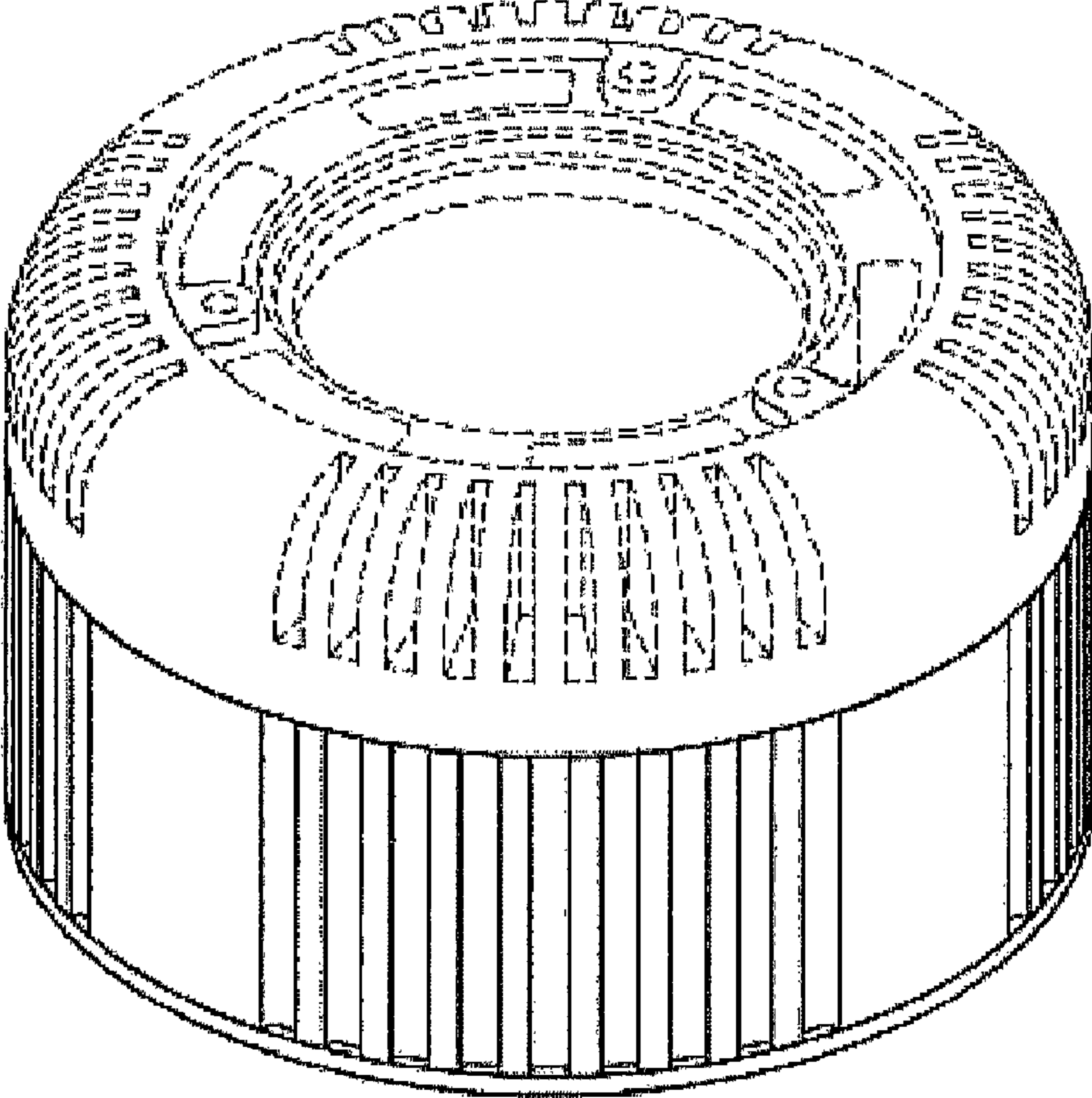


Figure 2

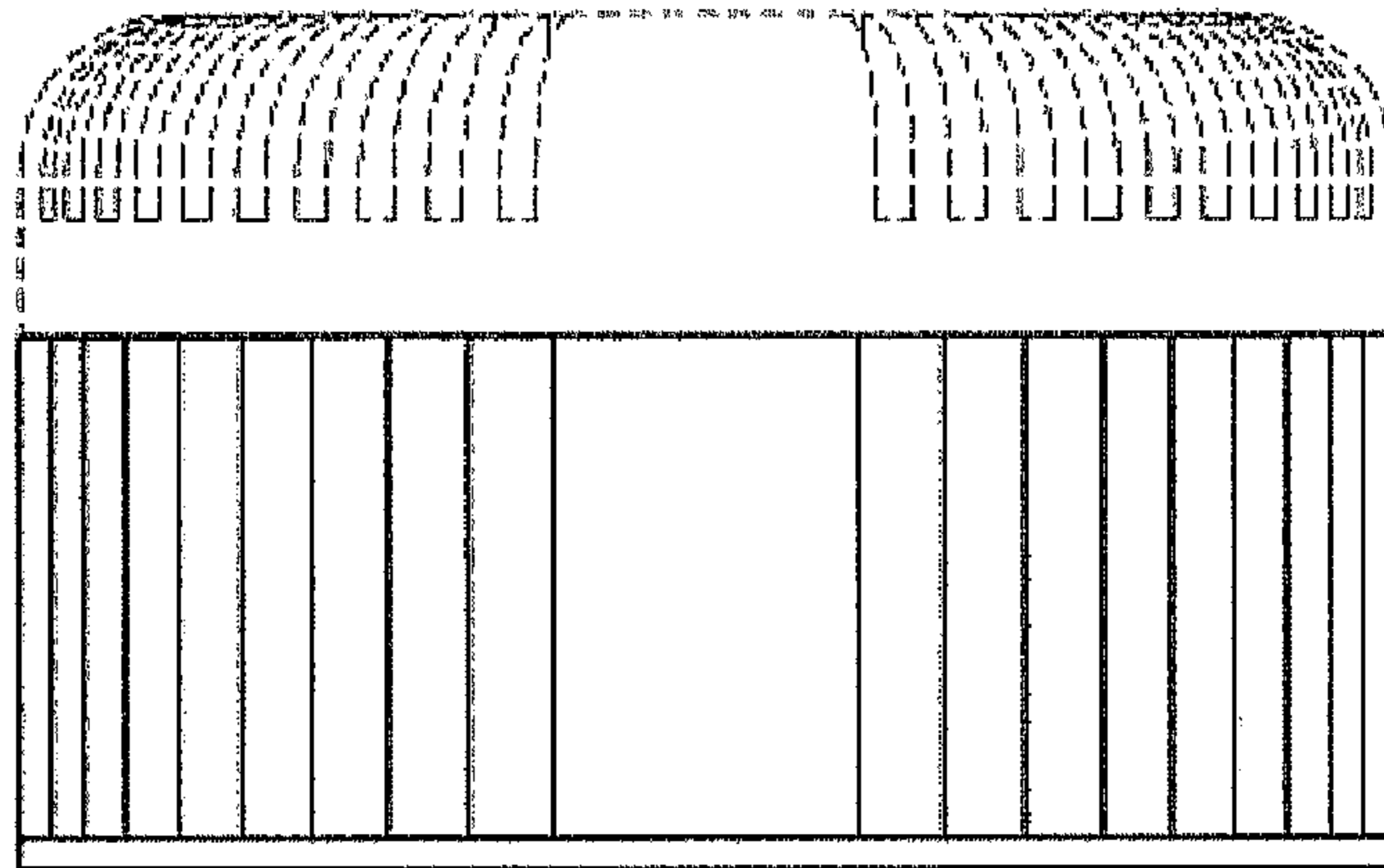


Figure 3

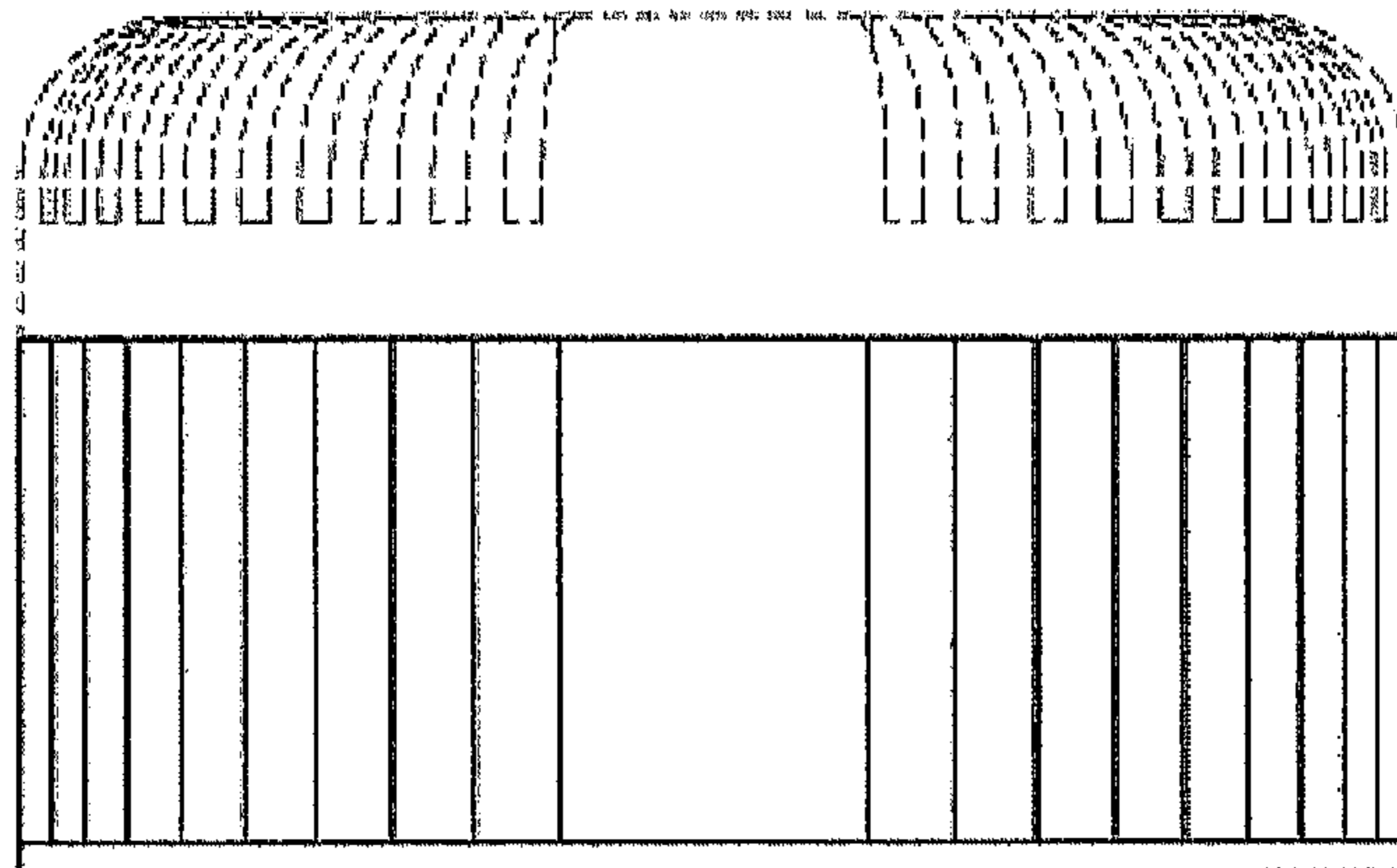


Figure 4

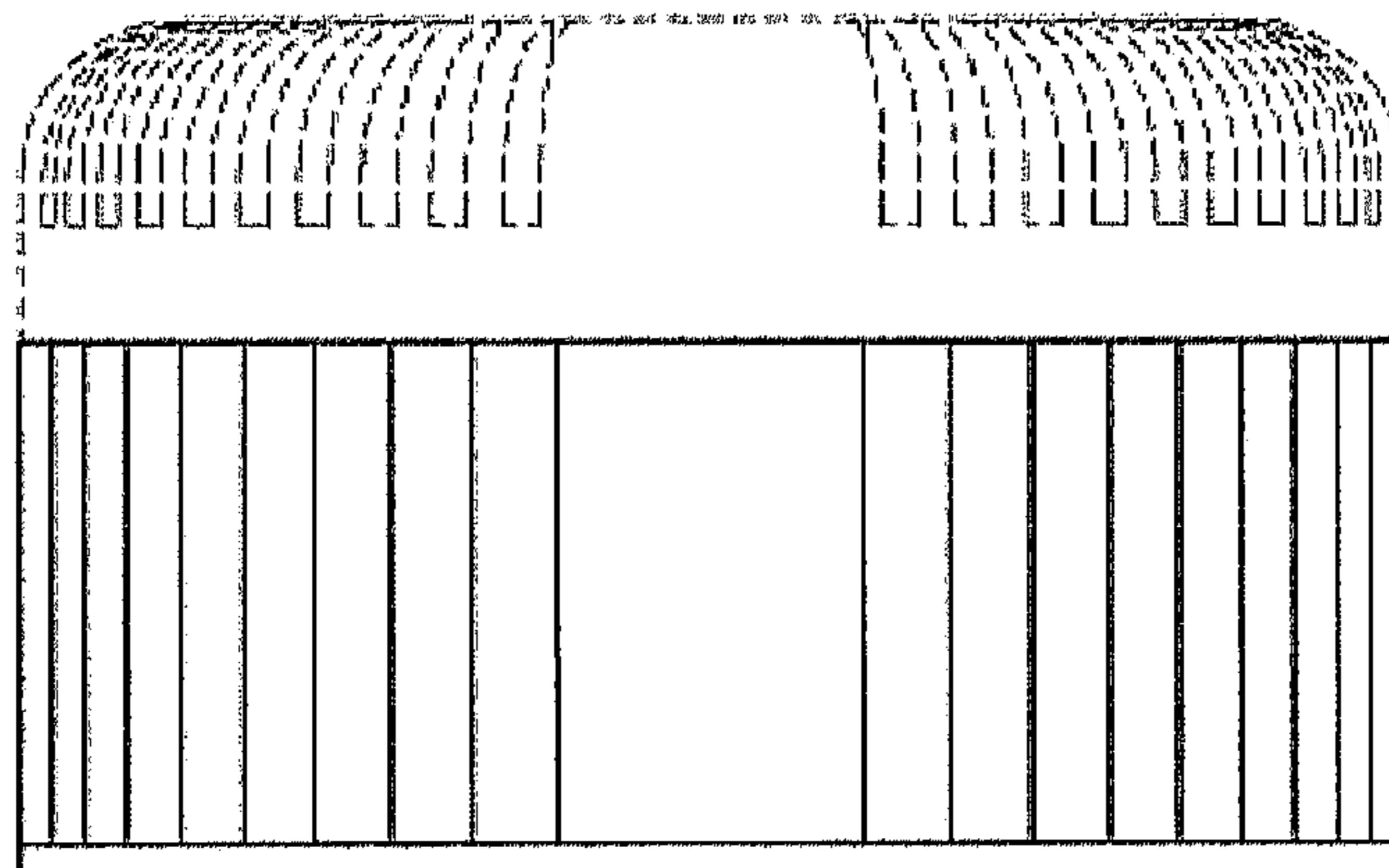


Figure 5

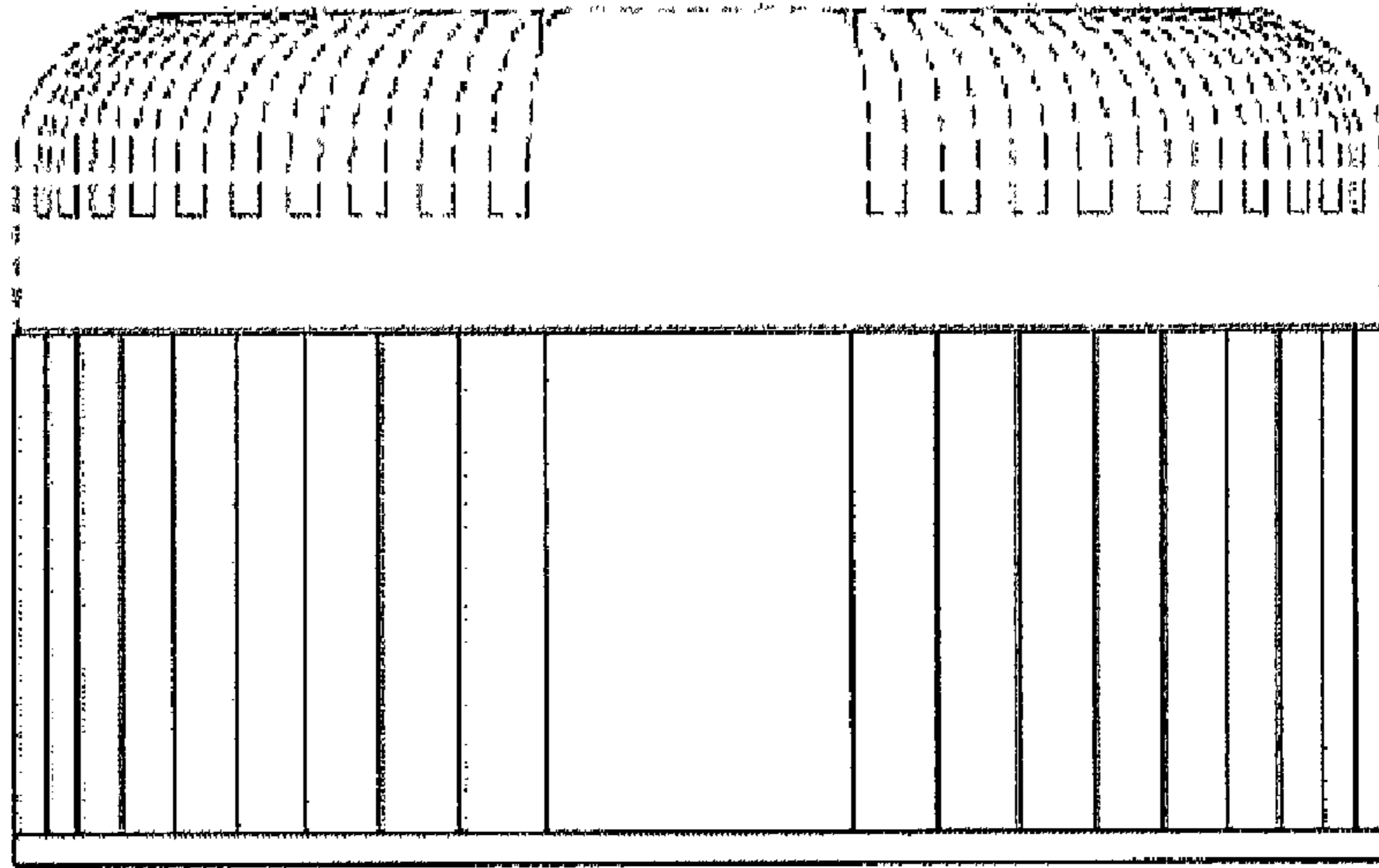


Figure 6

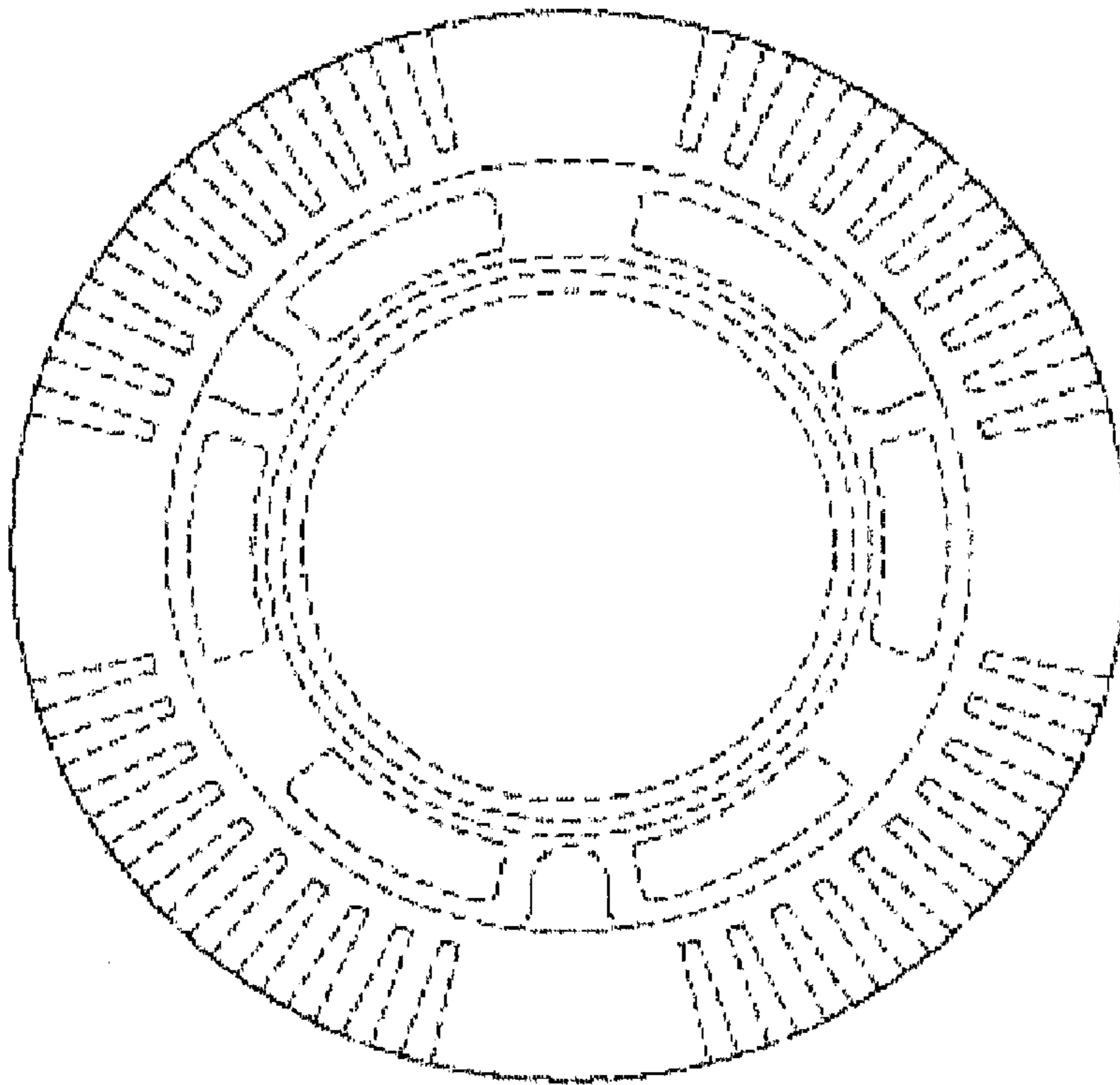


Figure 7

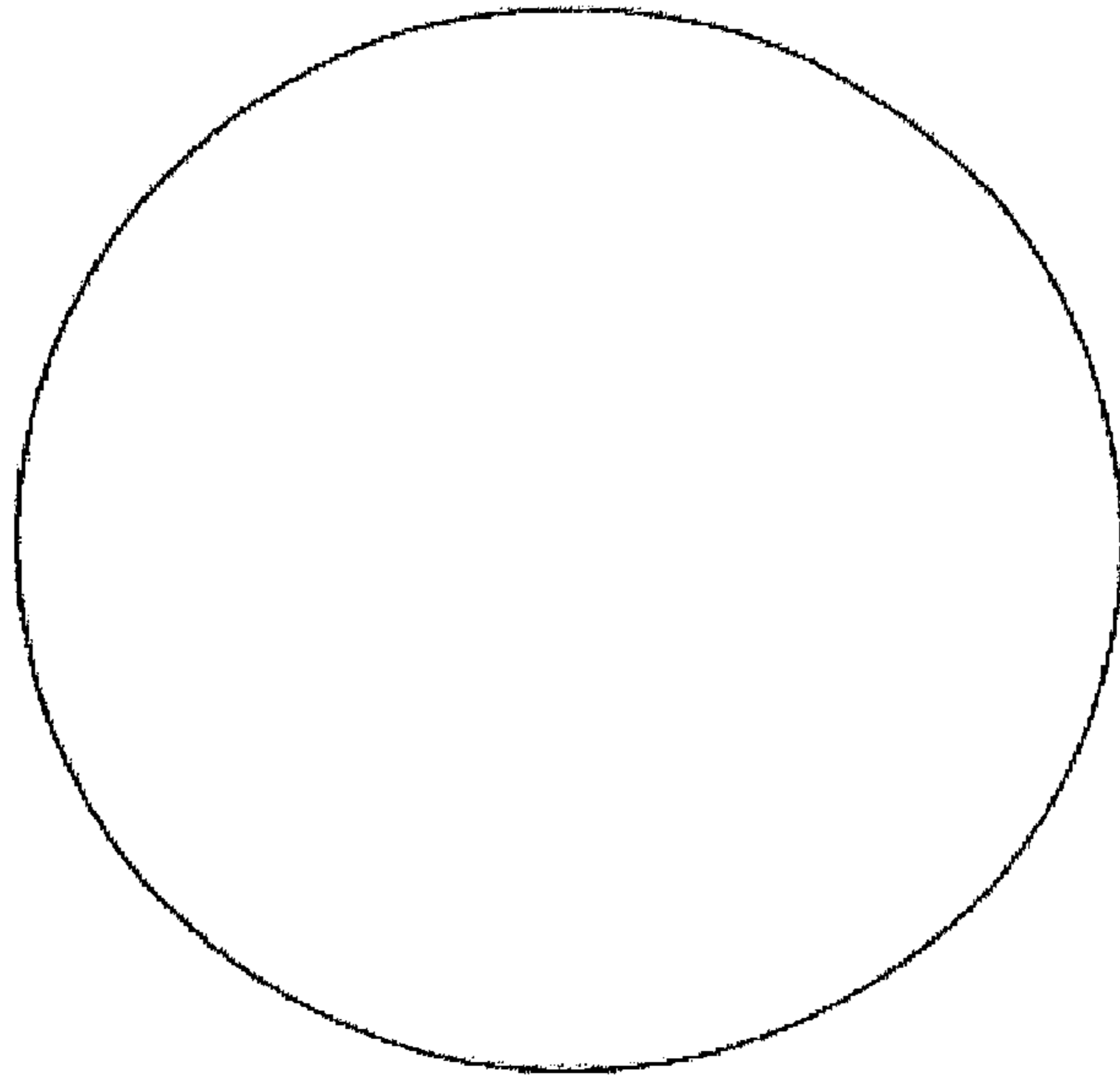
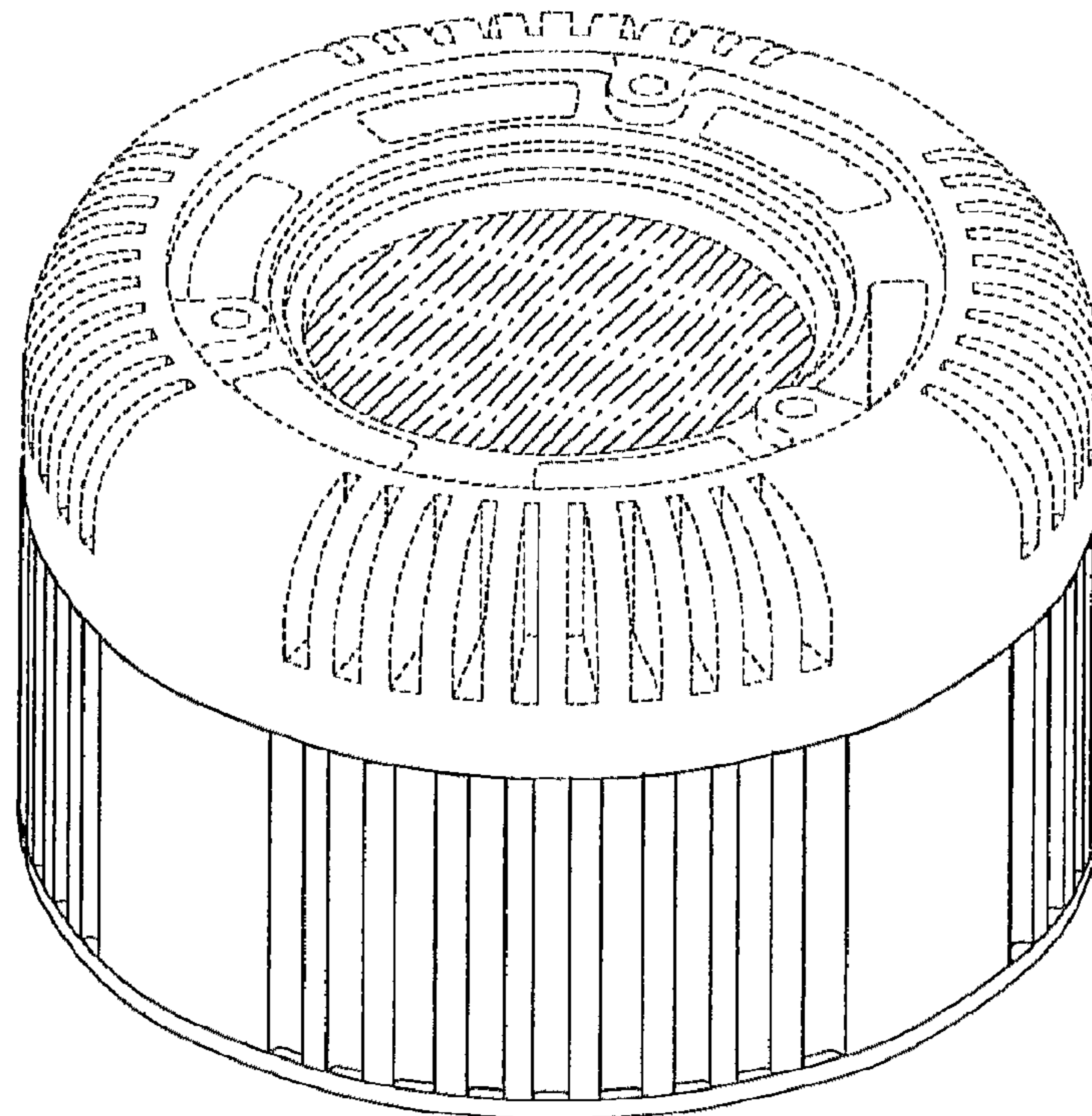


Figure 8



UNITED STATES PATENT AND TRADEMARK OFFICE  
**CERTIFICATE OF CORRECTION**

PATENT NO. : D664,705 S  
APPLICATION NO. : 29/376803  
DATED : July 31, 2012  
INVENTOR(S) : Kyung-Il Kong, Hwayoung Kim and Jihoo Kim

Page 1 of 1

It is certified that error appears in the above-identified patent and that said Letters Patent is hereby corrected as shown below:

Title page, item (30) Foreign Application Priority Data should read as follows:

Apr. 10, 2010 (KR) 30-2010-0015894  
Apr. 10, 2010 (KR) 30-2010-0015895

Signed and Sealed this  
Second Day of October, 2012



David J. Kappos  
*Director of the United States Patent and Trademark Office*