



US00D664704S

(12) **United States Design Patent**
Boyer et al.

(10) **Patent No.:** **US D664,704 S**
(45) **Date of Patent:** **** Jul. 31, 2012**

(54) **LIGHTING FIXTURE**

(75) Inventors: **John D. Boyer**, Lebanon, OH (US);
James G. Vanden Eynden, Indian Springs, OH (US); **Larry Akers**, Clarksville, OH (US)

(73) Assignee: **LSI Industries, Inc.**, Cincinnati, OH (US)

(**) Term: **14 Years**

(21) Appl. No.: **29/405,425**

(22) Filed: **Nov. 2, 2011**

Related U.S. Application Data

(63) Continuation of application No. 13/286,400, filed on Nov. 1, 2011.

(51) **LOC (9) Cl.** **26-03**

(52) **U.S. Cl.** **D26/92**

(58) **Field of Classification Search** D26/92,
D26/67-71; 362/249.01-249.06, 294, 373,
362/431

See application file for complete search history.

(56) **References Cited**

U.S. PATENT DOCUMENTS

D98,924 S *	3/1936	Fassin	D26/87
D186,718 S *	11/1959	Summers	D26/104
D195,583 S *	7/1963	Phillips	D26/71
D200,118 S *	1/1965	Van Steenhoven	D26/71
D208,491 S *	9/1967	Brooks, Jr.	D26/71
D219,546 S *	12/1970	Kaiser et al.	D26/68
D239,861 S *	5/1976	Van Steenhoven	D26/71
4,425,603 A	1/1984	Courson		
4,617,612 A	10/1986	Pritchett		
5,561,346 A	10/1996	Byrne		
5,613,766 A *	3/1997	Raouf	362/287
D437,958 S *	2/2001	Doron et al.	D26/71
D439,695 S *	3/2001	Compton et al.	D26/87
D442,313 S *	5/2001	Wojtkowiak et al.	D26/71

D556,935 S *	12/2007	Quioque et al.	D26/71
7,311,431 B2	12/2007	Chew et al.		
D573,741 S *	7/2008	Lou	D26/71

(Continued)

OTHER PUBLICATIONS

“Relume Low Bay Led Fixtures”; Relume Technologies, Inc., www.relume.com, (2011).

Primary Examiner — Clare E Heflin

(74) *Attorney, Agent, or Firm* — McDermott Will & Emery, LLP

(57) **CLAIM**

The ornamental design for lighting fixture, as shown and described.

DESCRIPTION

FIG. 1 is a perspective view of a first embodiment of the design of the present disclosure;

FIG. 2 is a front side view of the embodiment depicted in FIG. 1;

FIG. 3 is a rear side view of the embodiment depicted in FIG. 1;

FIG. 4 is a left side view of the embodiment depicted in FIG. 1;

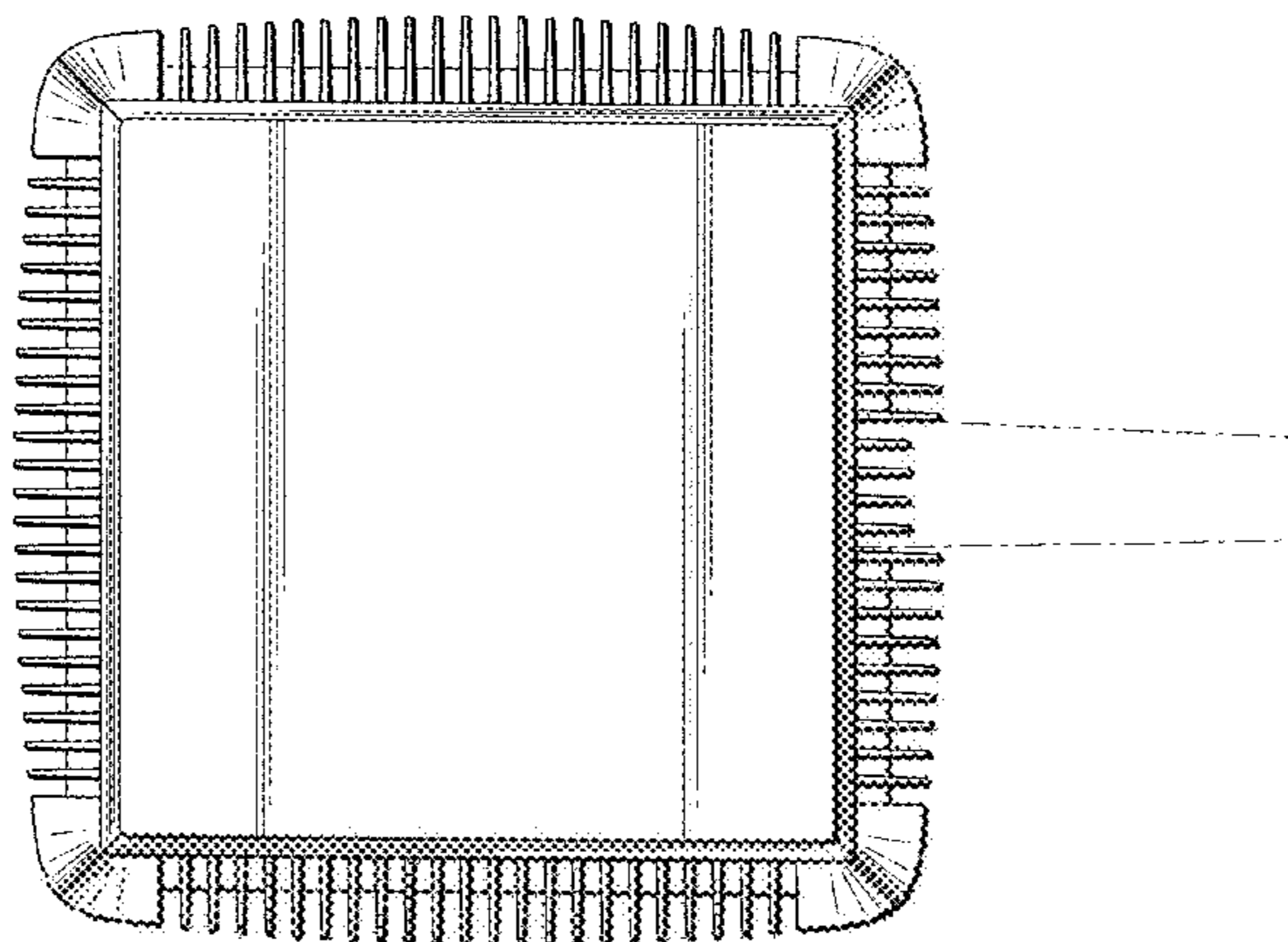
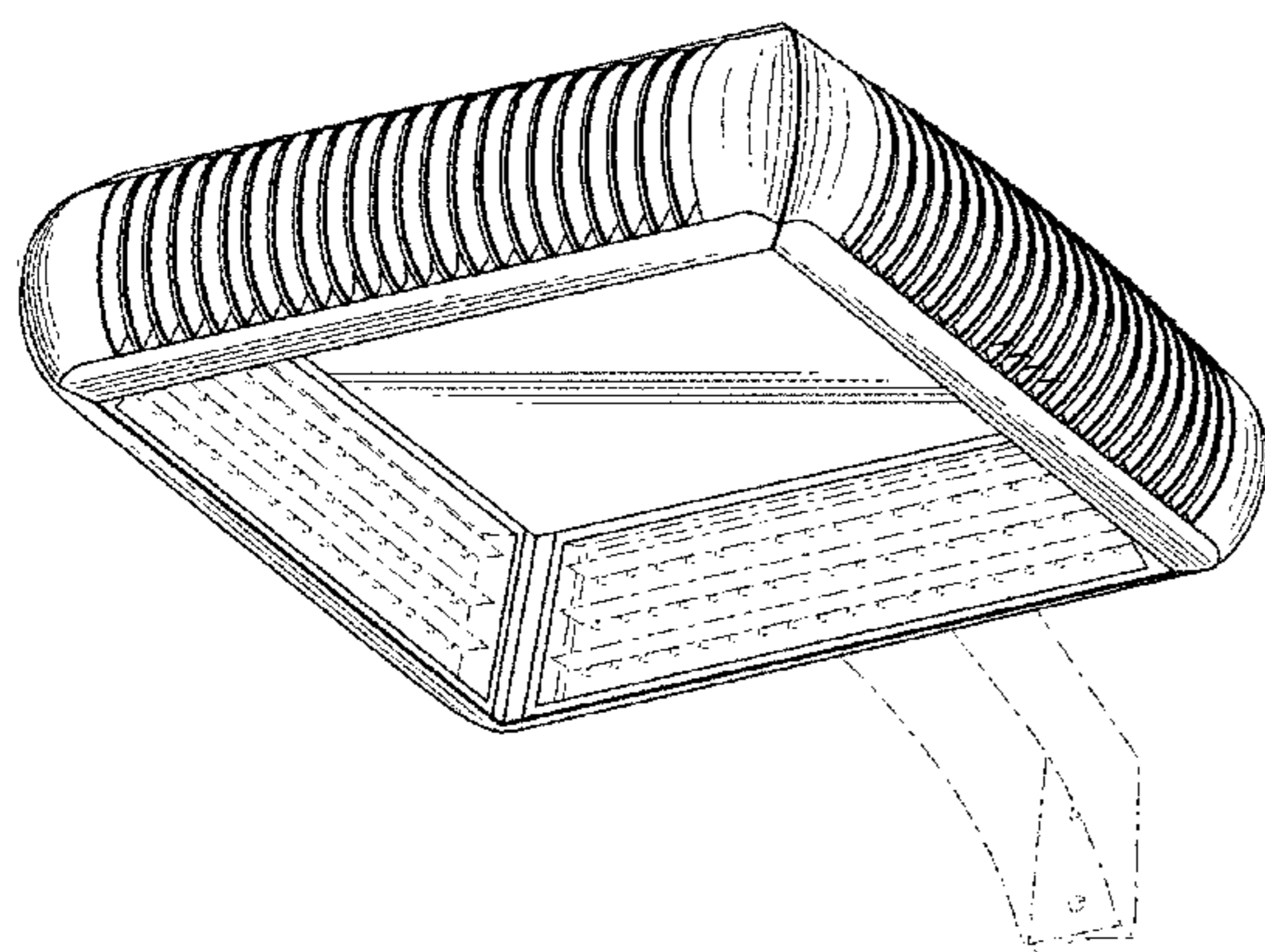
FIG. 5 is a right side view of the embodiment depicted in FIG. 1;

FIG. 6 is a top view of the embodiment depicted in FIG. 1; and,

FIG. 7 is a bottom view of the embodiment depicted in FIG. 1.

Those portions of the present invention which are presented in phantom illustrate the environment of the design only and form no part of the claimed design. Moreover, the shading presented in the accompanying drawings is provided merely to highlight the contour of the invention and is not intended to be illustrative of texture or gloss.

1 Claim, 5 Drawing Sheets



US D664,704 S

Page 2

U.S. PATENT DOCUMENTS

D603,077	S *	10/2009	Kinnune et al.	D26/71	D650,112	S *	12/2011	Bryant	D26/85
D607,593	S *	1/2010	Yoo	D26/71	2009/0201668	A1	8/2009	Ogiro et al.		
D609,384	S *	2/2010	Gray et al.	D26/71	2010/0073925	A1	3/2010	Vissenberg et al.		
7,665,866	B2	2/2010	Mayer et al.			2010/0118531	A1	5/2010	Montagne		
D612,090	S *	3/2010	Yu	D26/92	2010/0142201	A1	6/2010	Venturini		
D617,033	S *	6/2010	Gaskins	D26/85	2010/0188847	A1	7/2010	Chen		
D622,433	S *	8/2010	Waters	D26/71	2010/0277916	A1	11/2010	Kira		
D627,093	S *	11/2010	Shiau et al.	D26/71	2011/0110082	A1	5/2011	Jong		
D636,920	S *	4/2011	Boissevain	D26/71	2011/0122616	A1	5/2011	Hochstein		
7,967,462	B2	6/2011	Ogiro et al.			2011/0122618	A1	5/2011	Gantenbrink		
D641,908	S *	7/2011	McKee	D26/71	2011/0149566	A1	6/2011	Lin et al.		
D647,662	S *	10/2011	Verelst et al.	D26/85						

* cited by examiner

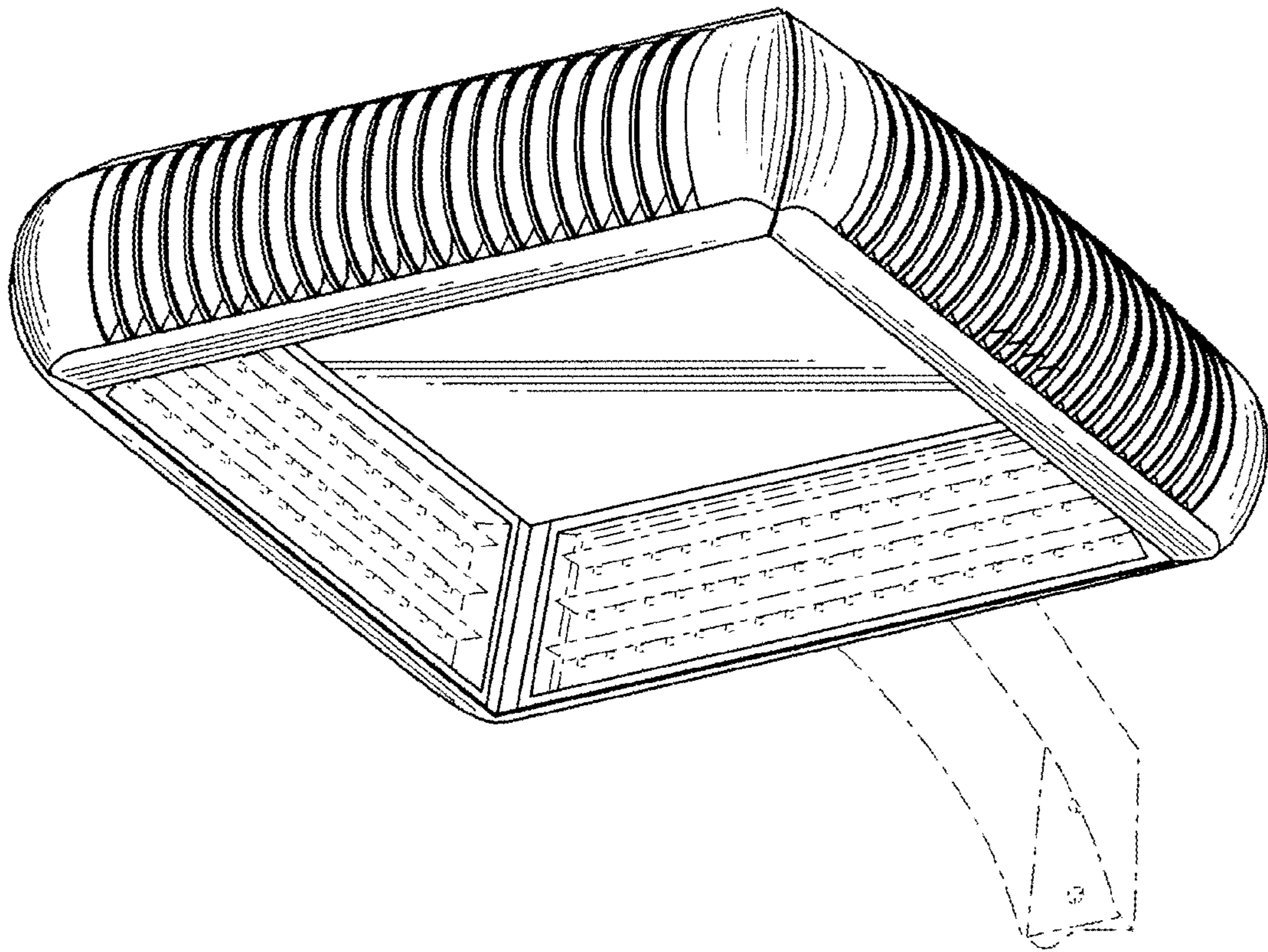


FIG. 1

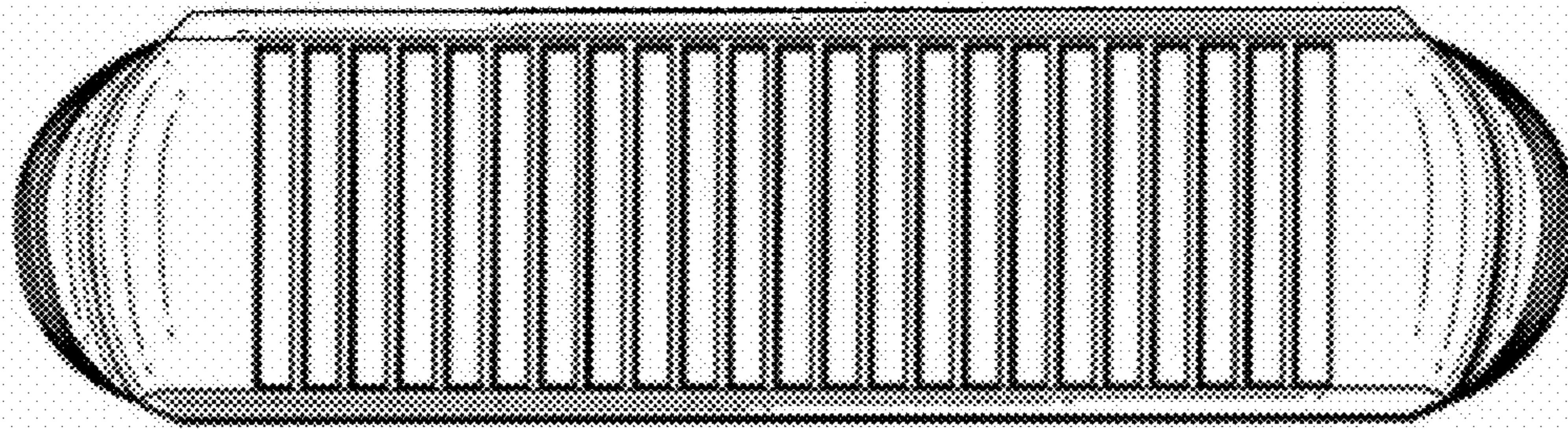


FIG. 2

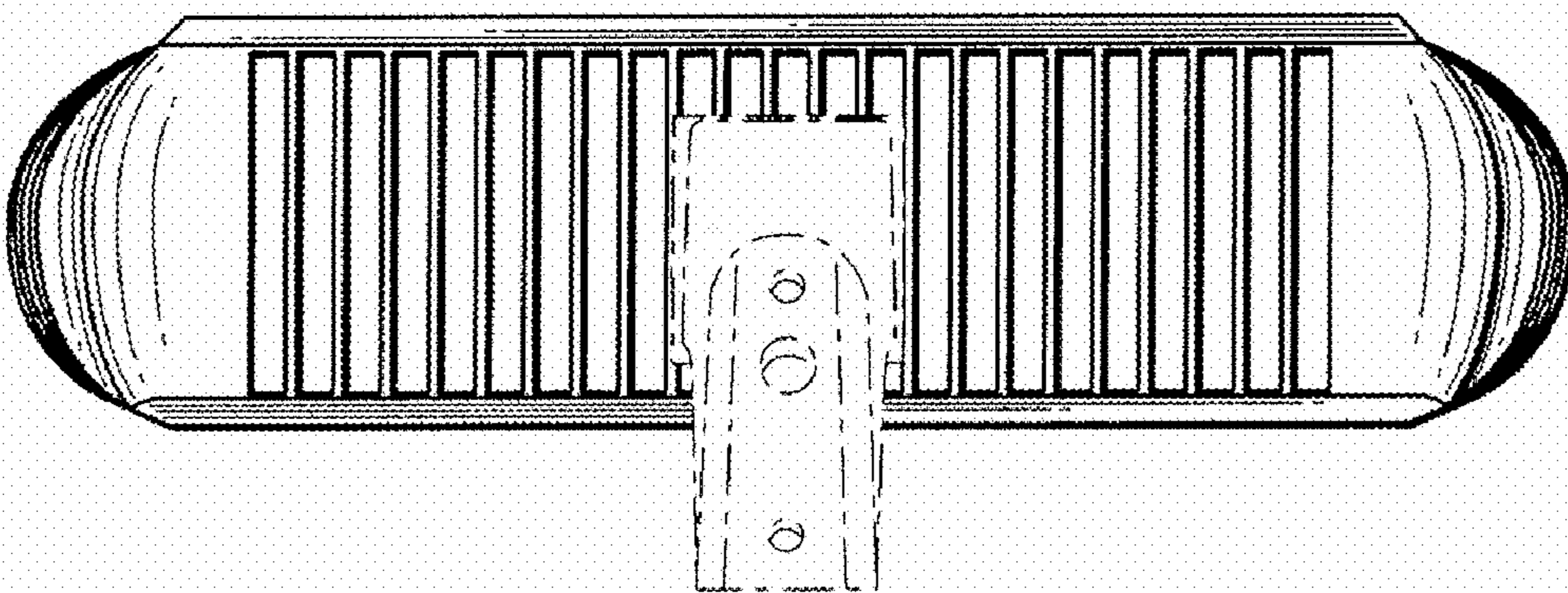


FIG. 3

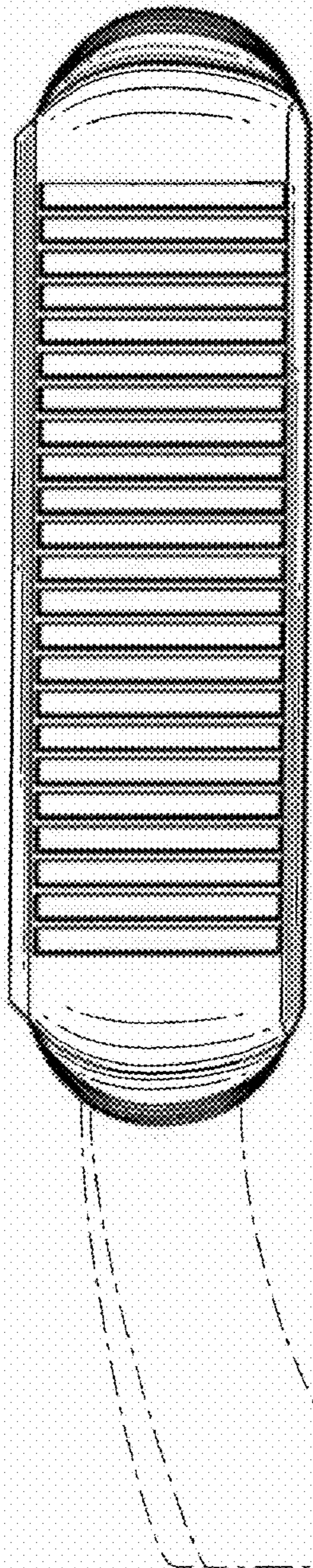


FIG. 4

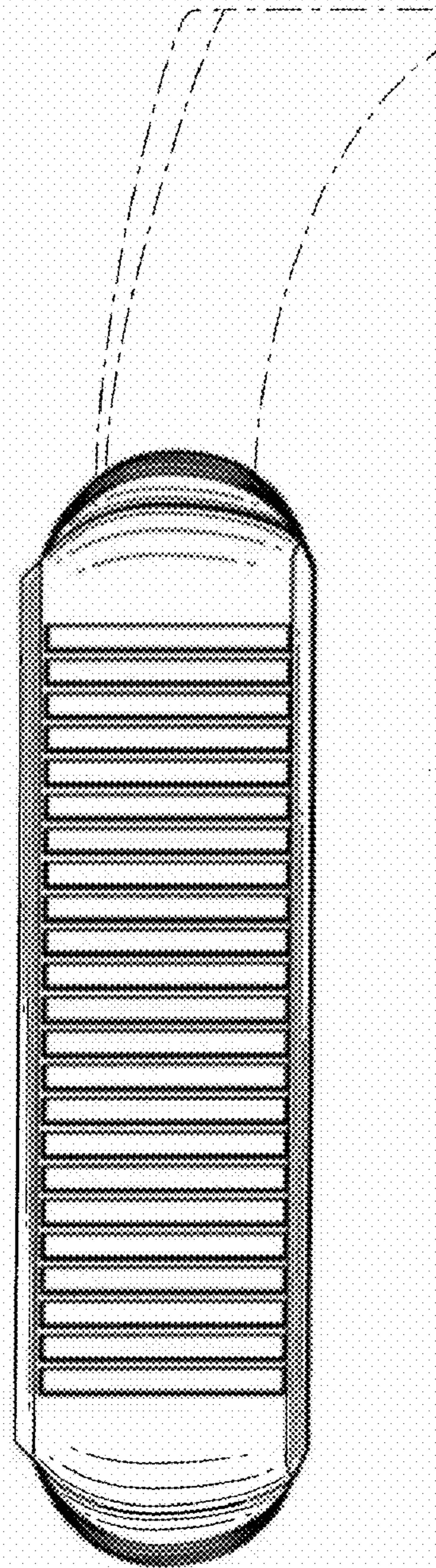


FIG. 5

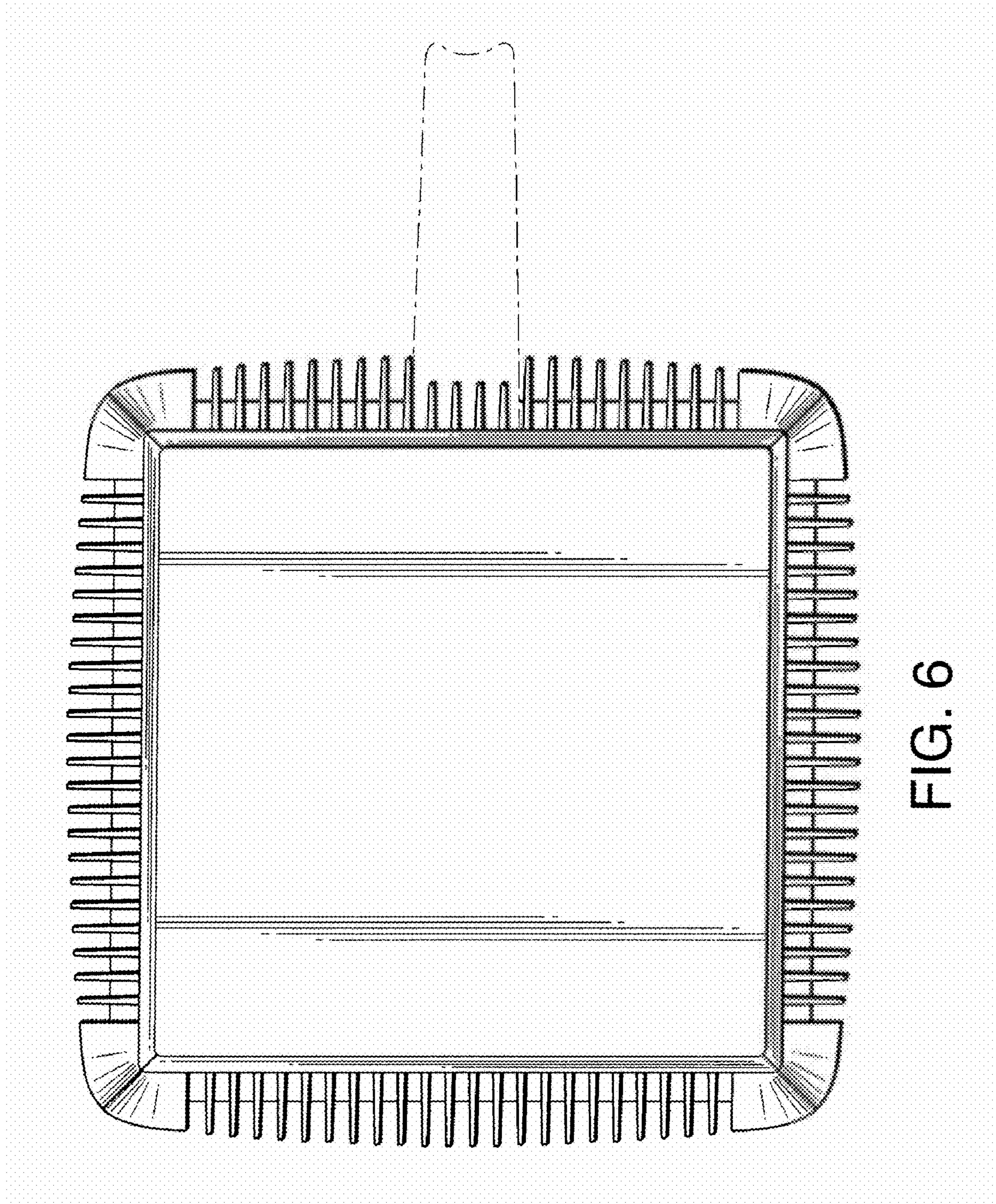


FIG. 6

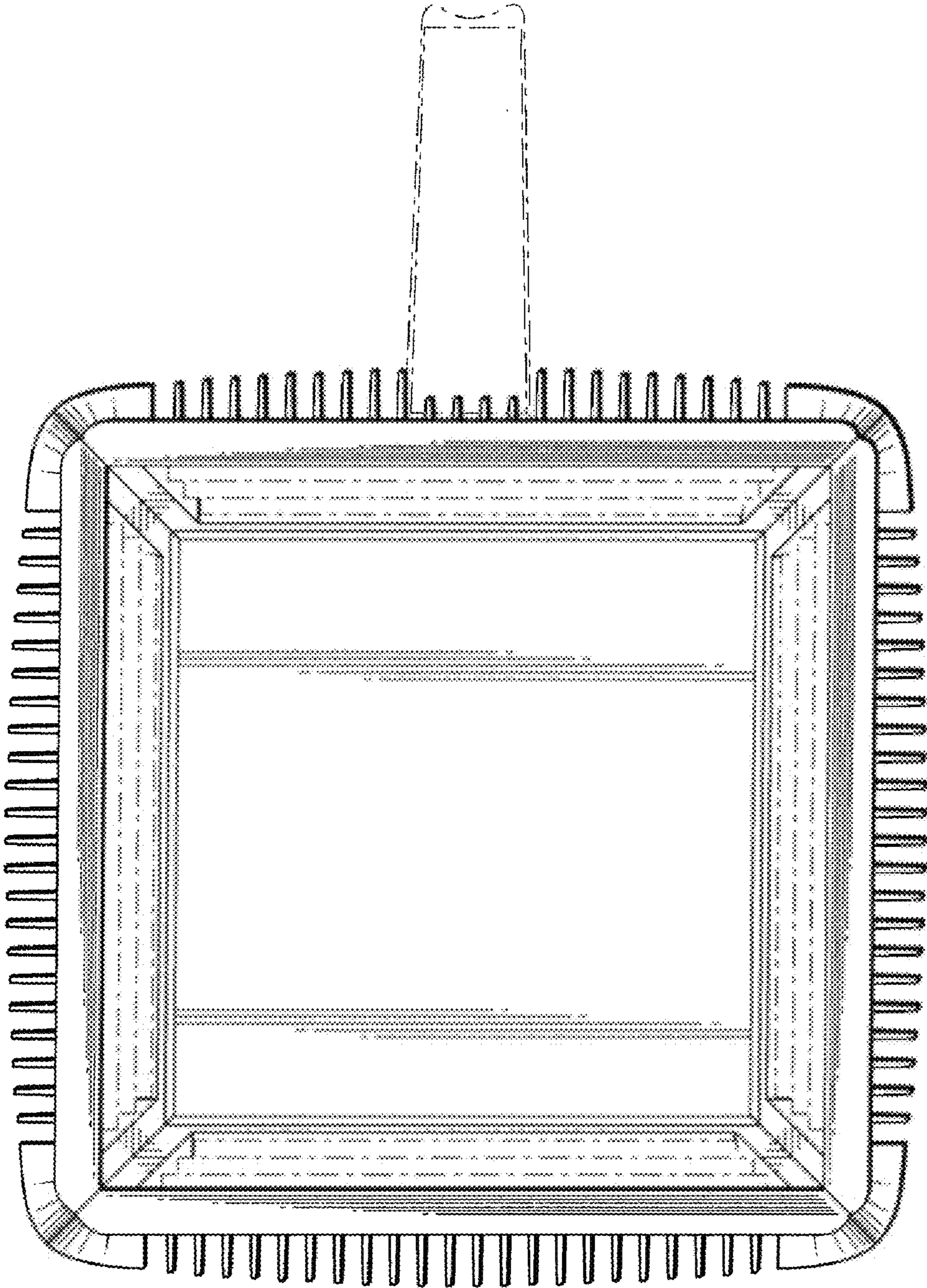


FIG. 7