



US00D664701S

(12) **United States Design Patent**
Ferguson et al.

(10) **Patent No.:** **US D664,701 S**
(45) **Date of Patent:** **** Jul. 31, 2012**

(54) **LIGHTING FIXTURE**

(75) Inventors: **Christopher J. Ferguson**, Westchester, IL (US); **Michael T. Thornton**, Burr Ridge, IL (US)

(73) Assignee: **Focal Point, L.L.C.**, Chicago, IL (US)

(**) Term: **14 Years**

(21) Appl. No.: **29/394,746**

(22) Filed: **Jun. 21, 2011**

(51) **LOC (9) Cl.** **26-03**

(52) **U.S. Cl.** **D26/78**

(58) **Field of Classification Search** D26/72,
D26/74, 75, 76, 77, 78, 79, 80, 81, 82, 83,
D26/84, 85, 88, 89, 90, 122, 118; 362/145,
362/146, 147, 148, 150, 151, 152, 153, 153.1,
362/217.01, 217.02, 217.05, 217.06, 217.07,
362/217.08, 217.09, 217.1, 217.11, 249.02,
362/260, 296.07, 311.02

See application file for complete search history.

(56) **References Cited**

U.S. PATENT DOCUMENTS

D115,014 S *	5/1939	Waltman	D26/24
D122,861 S *	10/1940	Carter, Jr.	D26/77
D123,768 S *	12/1940	Scribner	D26/78
D284,110 S *	6/1986	Mullins	D26/76
D351,481 S *	10/1994	Cole, Jr.	D26/76
D374,301 S *	10/1996	Kleffman	D26/76
D385,379 S *	10/1997	Tillotson	D26/76
D487,598 S *	3/2004	Schuetz et al.	D26/76
7,175,312 B2 *	2/2007	Fowler, Jr.	362/260
D580,583 S *	11/2008	Pfund	D26/76
D585,581 S *	1/2009	Purcell	D26/85
D597,701 S *	8/2009	Tran et al.	D26/76
2007/0211457 A1 *	9/2007	Mayfield et al.	362/223

OTHER PUBLICATIONS

Cooper Lighting, "Neo-Ray/ 22DR Straight & Narrow Gen II," www.cooperlighting.com, May 28, 2010, pp. 1-2, Peachtree City, GA.

Columbia Lighting, "Recessed Architectural/ZPT14," www.columbialighting.com, Sep. 28, 2010, pp. 1-2, Greenville, SC.
Cooper Lighting, "Neo-Ray/Series 7," www.cooperlighting.com, Dec. 2, 2010, pp. 1-2, Peachtree City, GA.
Cooper Lighting, "Fail-Safe/SGL," www.cooperlighting.com, Oct. 12, 2010, pp. 1-2, Peachtree City, GA.
Cooper Lighting, "Fail-Safe/MAO," www.cooperlighting.com, Mar. 25, 2011, pp. 1-2, Peachtree City, GA.
Focal Point, "avenue 6," www.focalpointlights.com, Apr. 2011, pp. 1-4, Chicago, IL.
Lithonia Lighting, "2VTLED," www.lithonia.com, Jun. 8, 2011, pp. 1-2, Conyers, GA.
Cooper Lighting, "Corelite/R Mini Frosted Prismatic Lens," www.cooperlighting.com, Jun. 17, 2011, p. 1, Peachtree City, GA.

* cited by examiner

Primary Examiner — Angela J Lee

(74) *Attorney, Agent, or Firm* — Banner & Witcoff, Ltd.

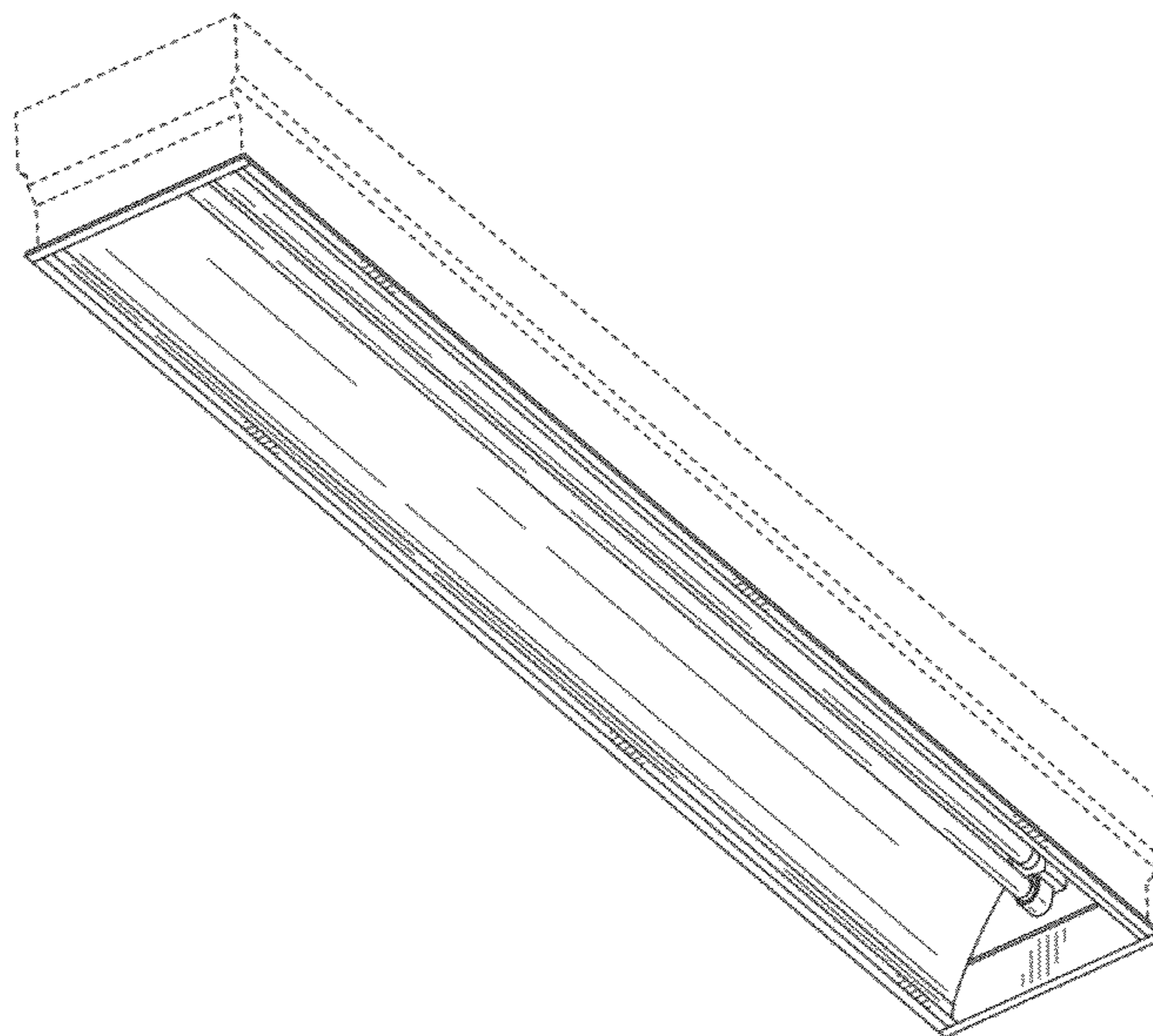
(57) **CLAIM**

The ornamental design for a lighting fixture, as shown and described.

DESCRIPTION

FIG. 1 is a bottom, front, right perspective view of a lighting fixture showing our new design; FIG. 2 is a bottom view thereof; FIG. 3 is a top view thereof; FIG. 4 is a right side view thereof; FIG. 5 is a left side view thereof; FIG. 6 is a front view thereof; FIG. 7 is a rear view thereof; and, FIG. 8 is a bottom, front perspective view thereof. The broken lines showing the remainder of the lighting fixture are for environmental purposes only and form no part of the claimed design.

1 Claim, 4 Drawing Sheets



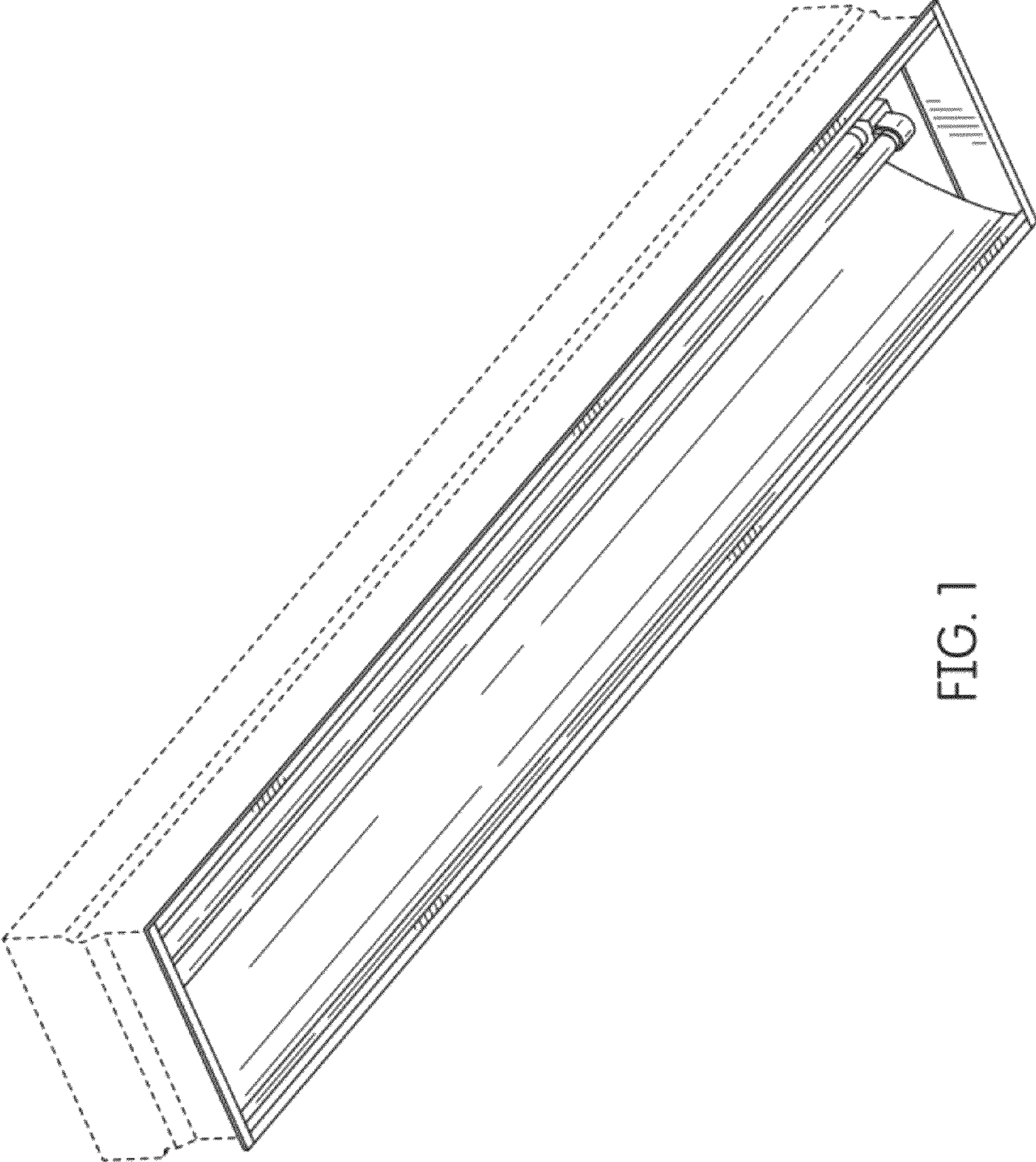


FIG. 1

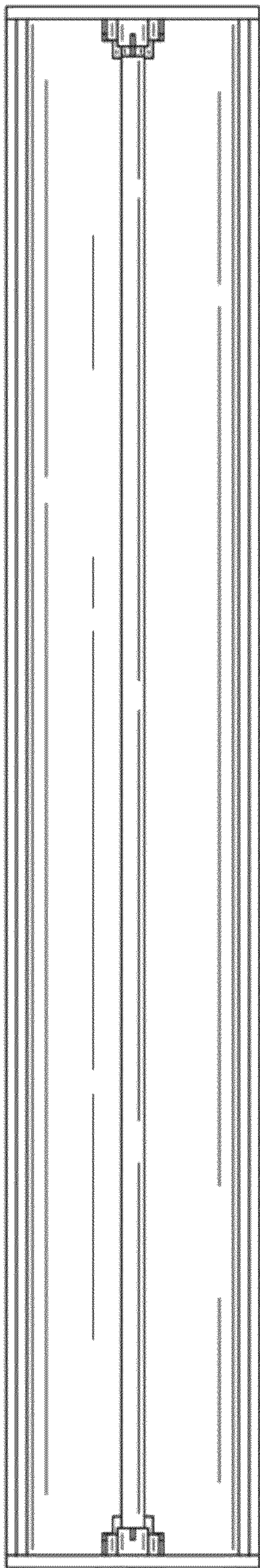


FIG. 2

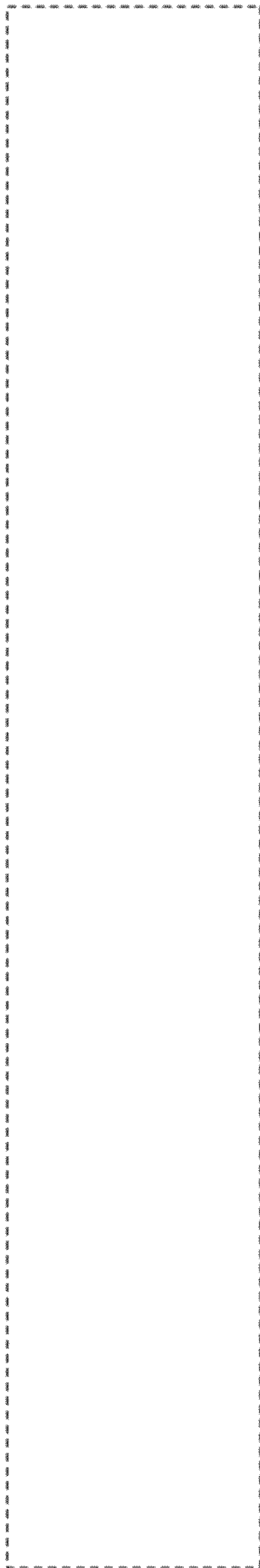


FIG. 3

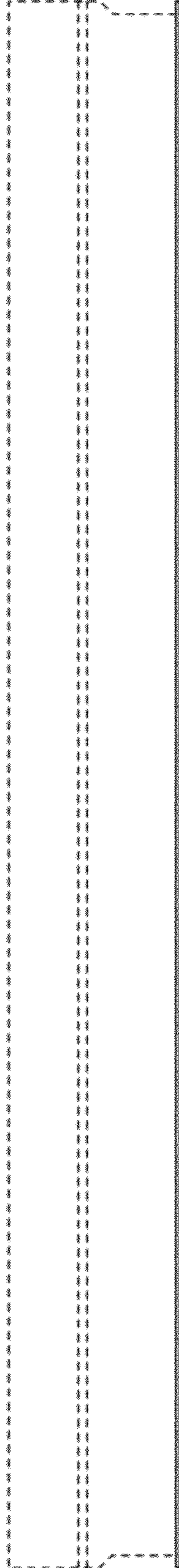


FIG. 4

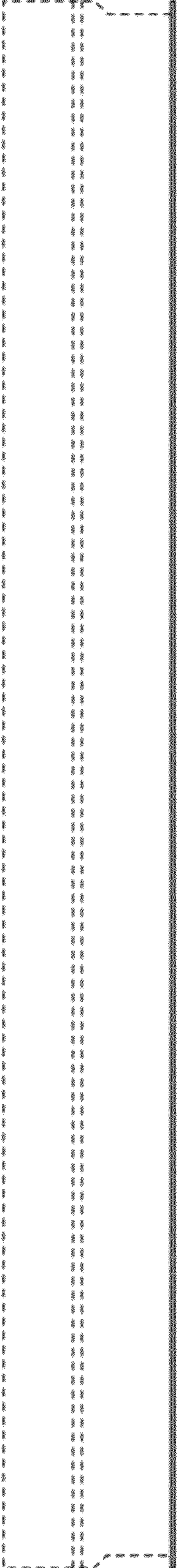


FIG. 5

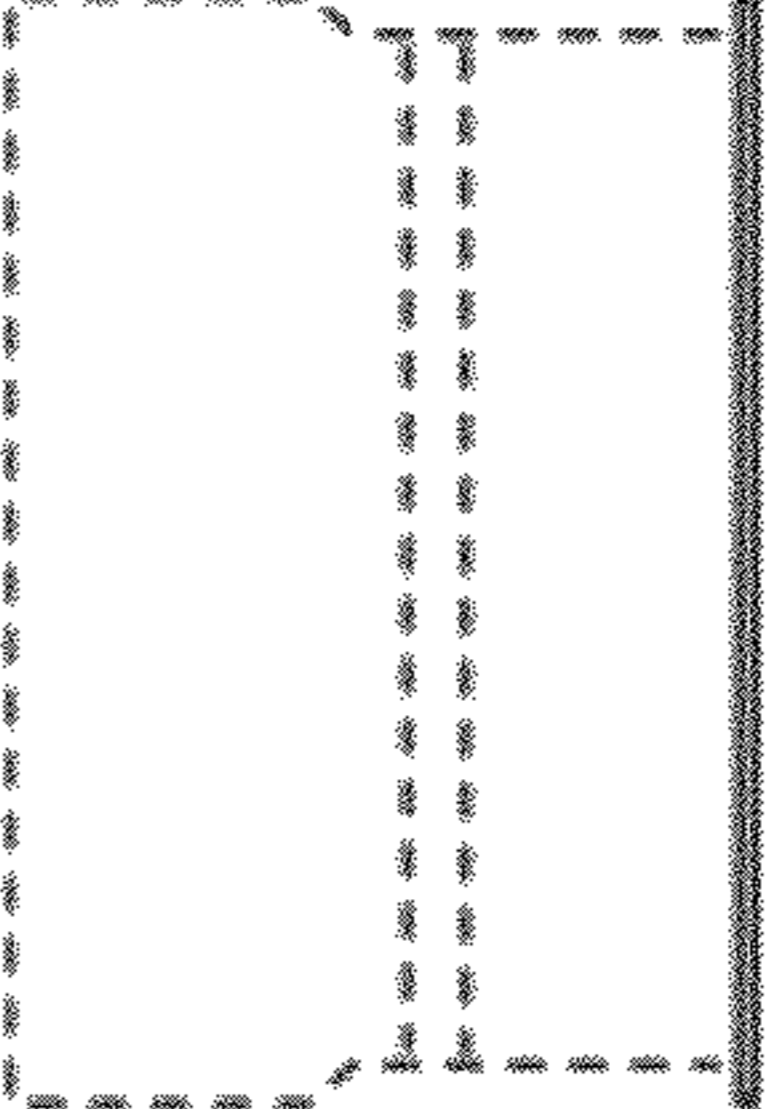


FIG. 7

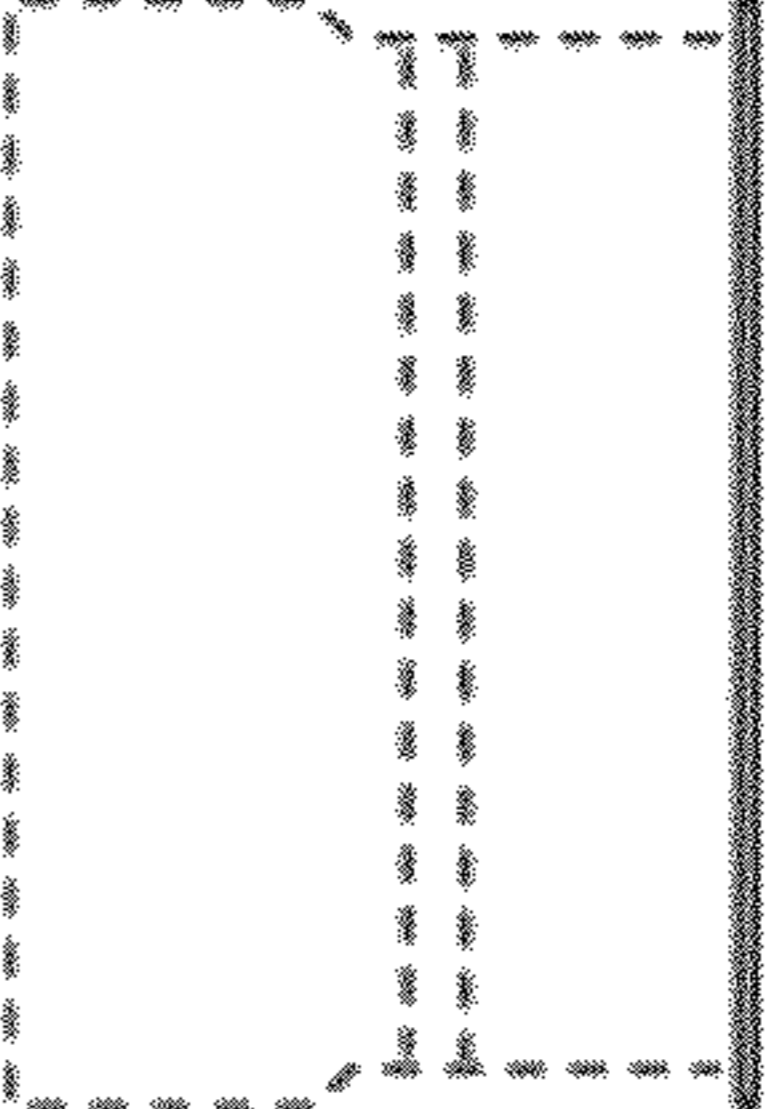


FIG. 6

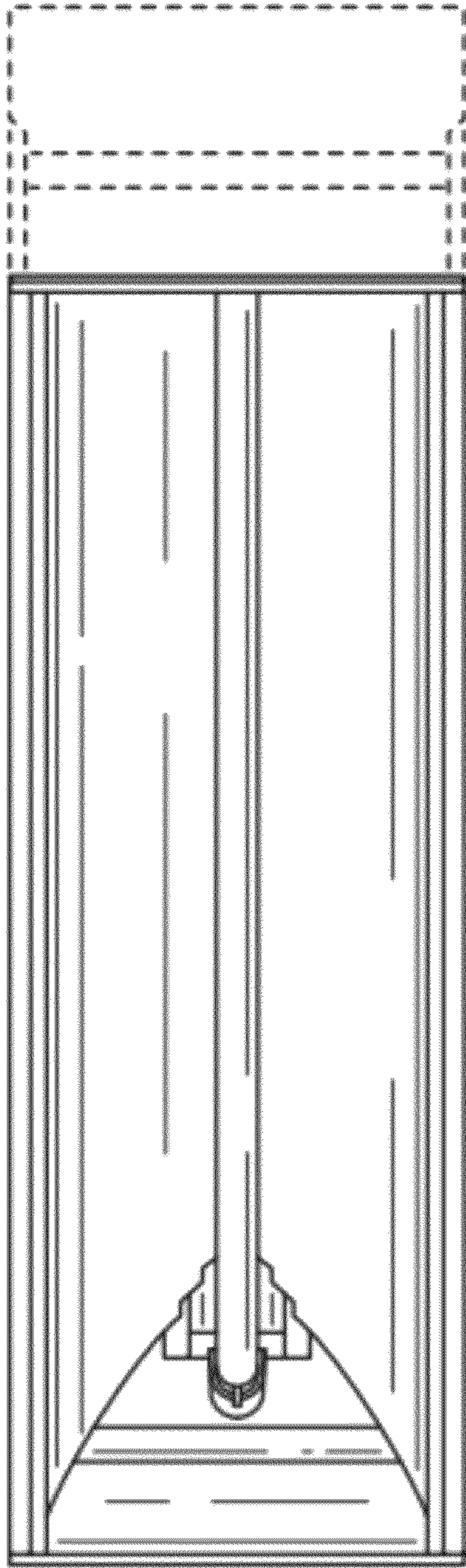


FIG. 8