



US00D664699S

(12) **United States Design Patent**
Nakahira et al.

(10) **Patent No.:** **US D664,699 S**
(45) **Date of Patent:** **** Jul. 31, 2012**

(54) **LIGHTING APPARATUS FOR ELEVATOR**

(75) Inventors: **Takashi Nakahira**, Tokyo (JP); **Hideto Iwamoto**, Tokyo (JP); **Masaaki Yamada**, Tokyo (JP)

(73) Assignee: **Mitsubishi Electric Corporation**, Tokyo (JP)

(**) Term: **14 Years**

(21) Appl. No.: **29/403,906**

(22) Filed: **Oct. 12, 2011**

(30) **Foreign Application Priority Data**

Apr. 13, 2011 (JP) 2011-008475

(51) **LOC (9) Cl.** **26-74**

(52) **U.S. Cl.** **D26/74**

(58) **Field of Classification Search** D26/72,
D26/74, 75, 76, 77, 78, 79, 80, 81, 82, 83,
D26/84, 85, 88, 89, 90; 362/145, 146, 147,
362/148, 150, 151, 152, 153, 153.1, 217.01,
362/217.02, 217.05, 217.06, 217.07, 217.08,
362/217.09, 217.1, 217.11, 249.02, 260,
362/296.07, 311.02

See application file for complete search history.

(56) **References Cited**

U.S. PATENT DOCUMENTS

D407,473 S * 3/1999 Wimbock D23/328
5,988,829 A * 11/1999 Holder 362/223

D441,117 S * 4/2001 Grimm D26/76
6,523,974 B2 * 2/2003 Engel 362/224
D477,891 S * 7/2003 Fritze et al. D26/74
D496,121 S * 9/2004 Santoro D26/74
D556,358 S * 11/2007 Santoro D26/74
D602,187 S * 10/2009 Fabbri et al. D26/74
D611,644 S * 3/2010 Tsai D26/77
D631,594 S * 1/2011 Irvine D26/74
D647,240 S * 10/2011 Beghelli D26/74
8,128,256 B2 * 3/2012 Kim et al. 362/235
2003/0185002 A1 * 10/2003 Chen 362/225

* cited by examiner

Primary Examiner — Angela J Lee

(74) *Attorney, Agent, or Firm* — Sughrue Mion, PLLC

(57) **CLAIM**

The ornamental design for a lighting apparatus for elevator, as shown and described.

DESCRIPTION

FIG. 1 is a perspective view of front, right and bottom side of a lighting apparatus for elevator showing our new design; FIG. 2 is a front view thereof, a rear side view being mirror image thereof; FIG. 3 is a top plan view thereof; FIG. 4 is a bottom view thereof; FIG. 5 is a right side view thereof, a left side view being mirror image thereof; and, FIG. 6 is an enlarged cross sectional view at 6-6 in FIG. 4 omitting the interior mechanism.

1 Claim, 6 Drawing Sheets

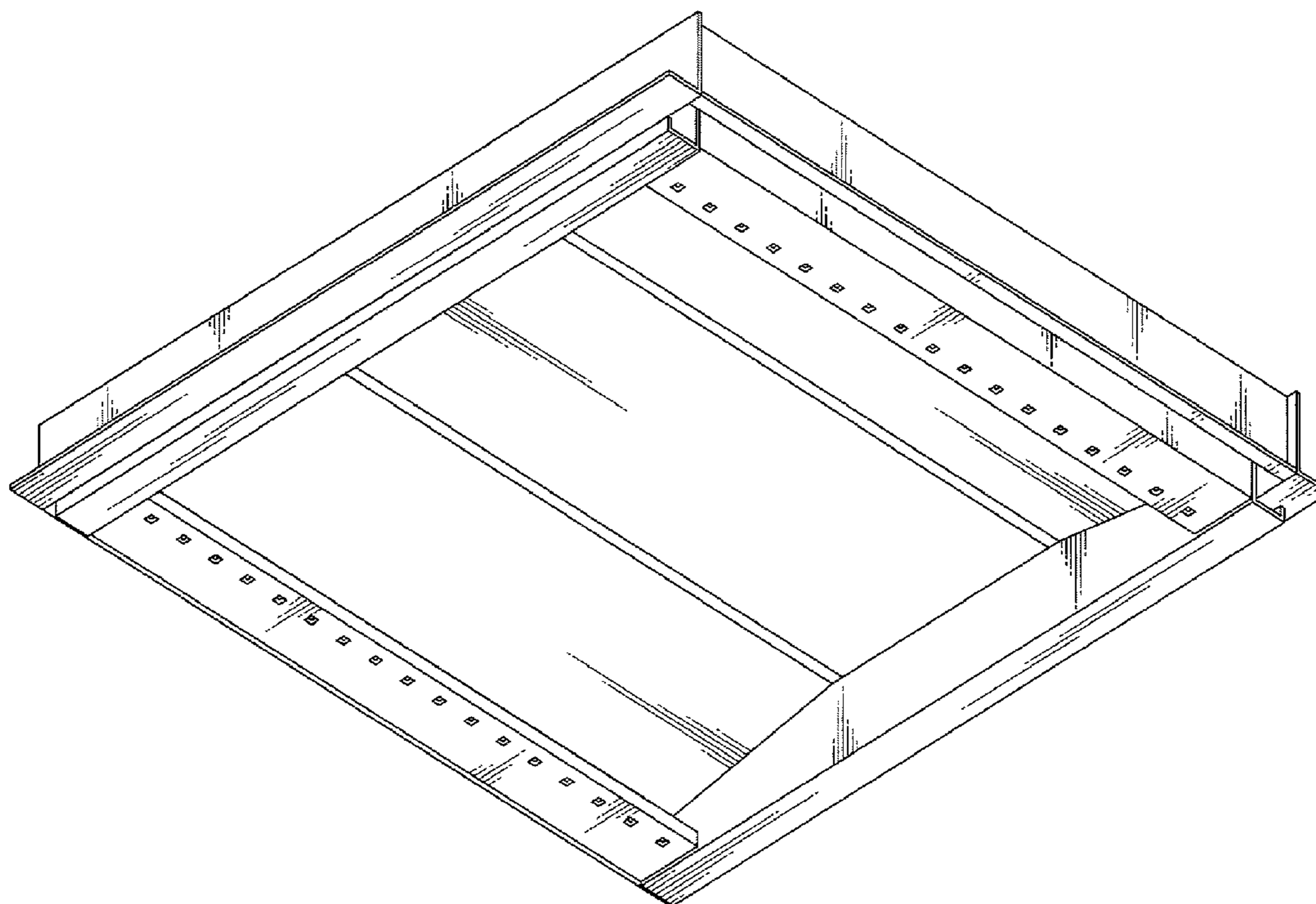


Fig. 1

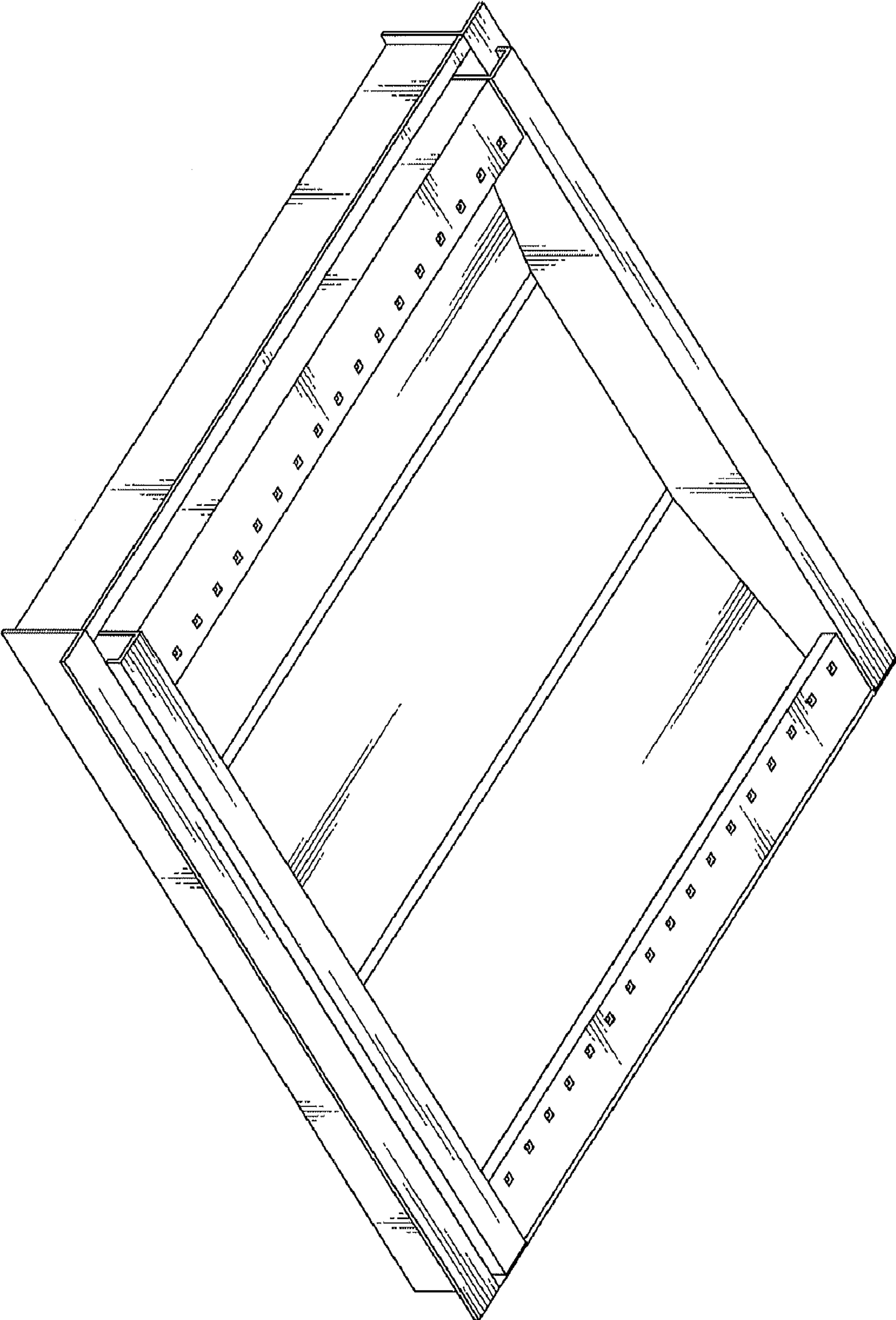


Fig. 2



Fig. 3

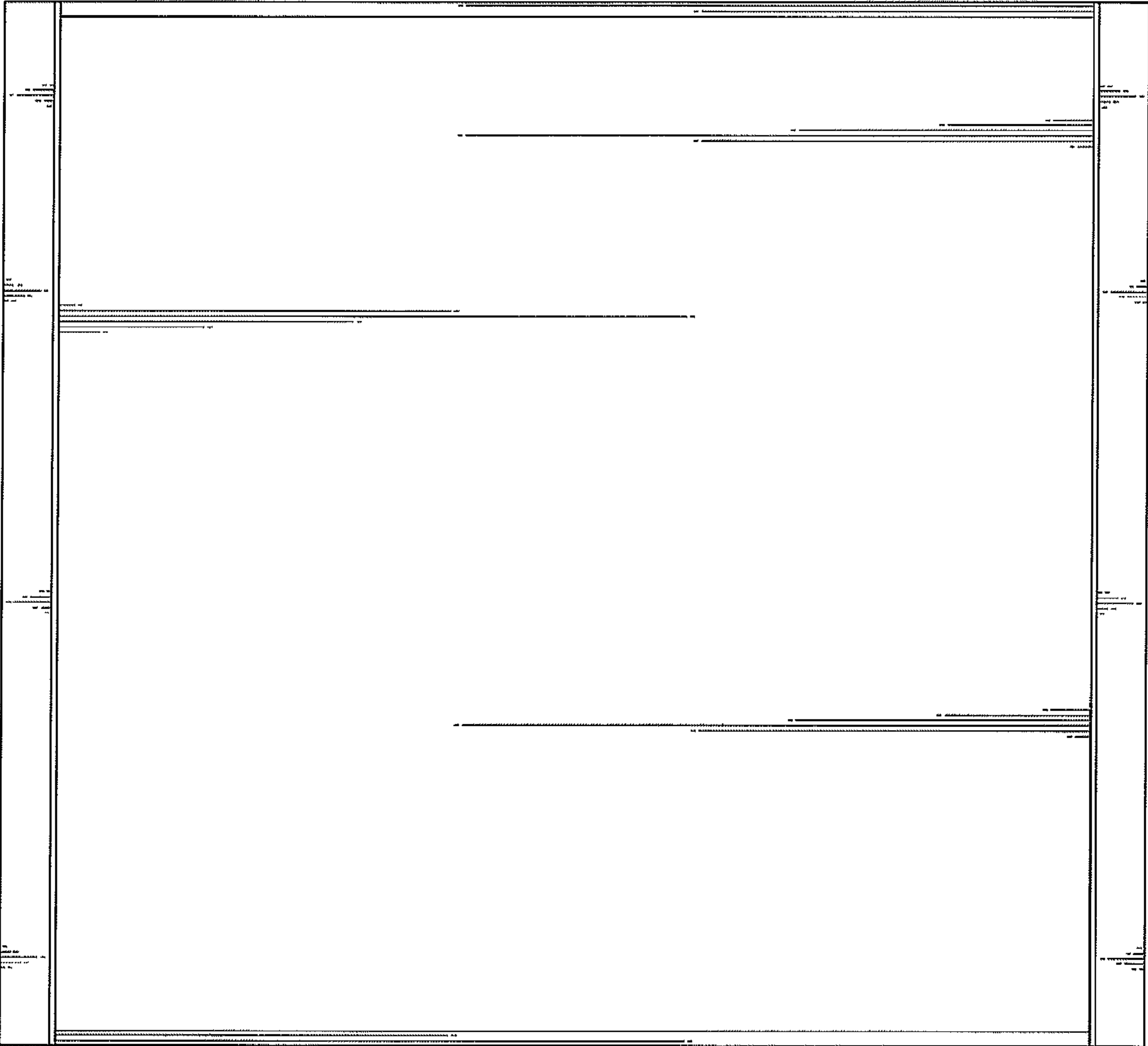


Fig. 4

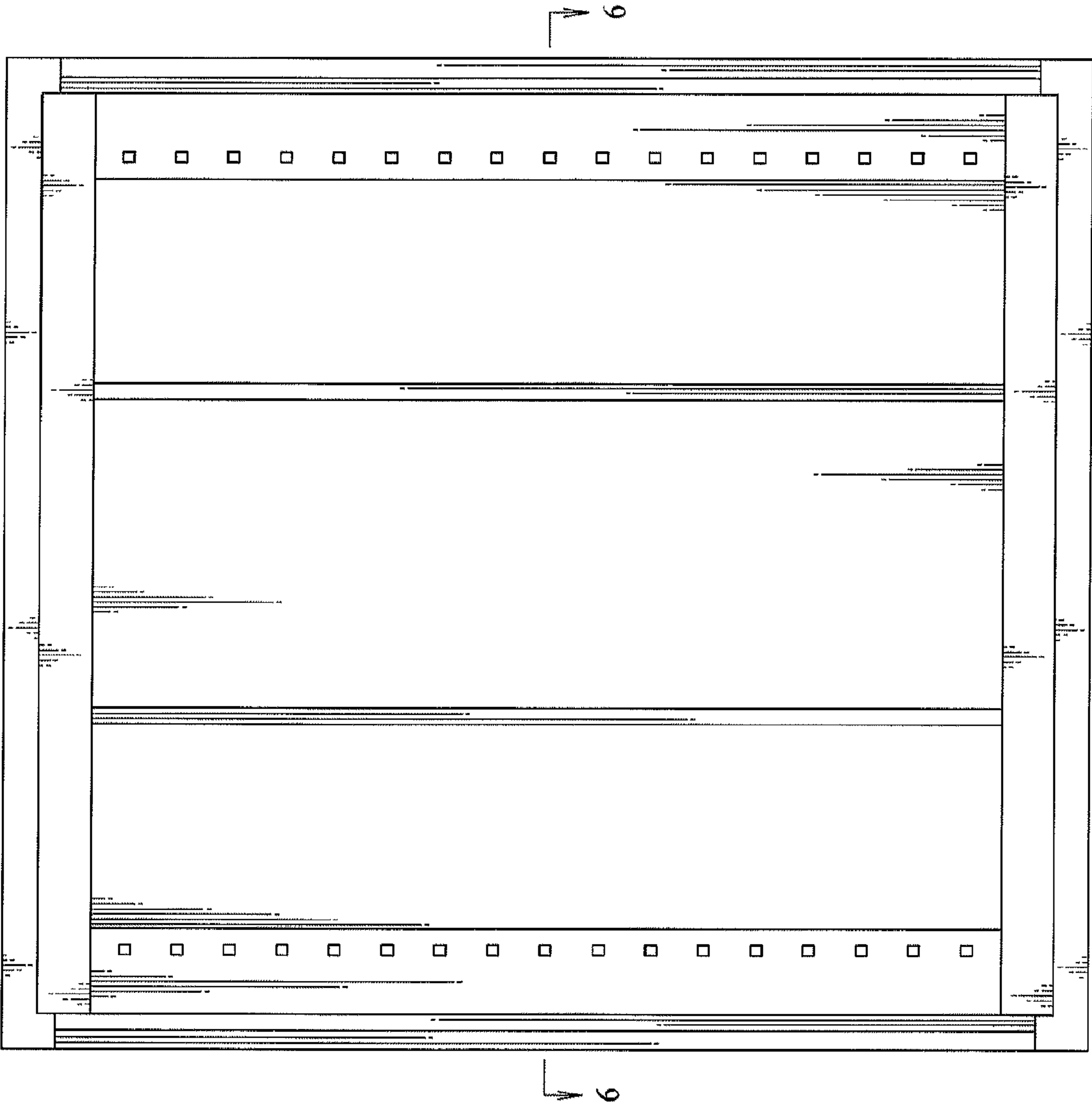


Fig. 5

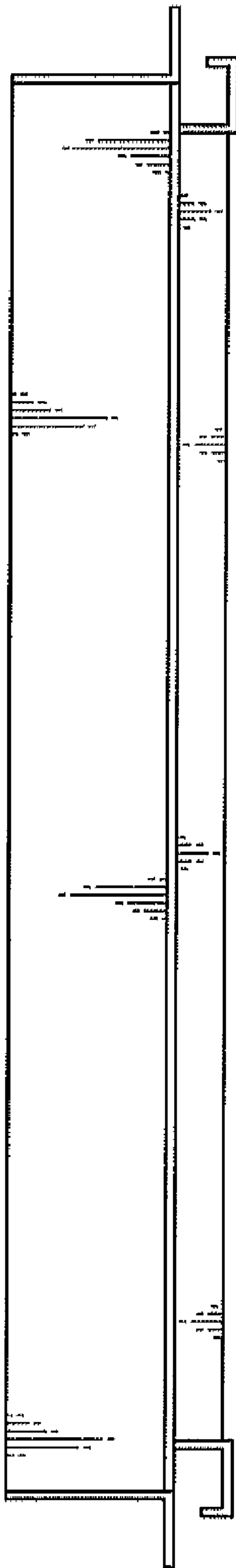


Fig. 6

