



US00D664698S

(12) **United States Design Patent**
Meise et al.

(10) **Patent No.:** **US D664,698 S**
(45) **Date of Patent:** **** Jul. 31, 2012**

(54) **CEILING LAMP**

(75) Inventors: **Axel Meise**, Munich (DE); **Christoph Kuegler**, Munich (DE)

(73) Assignee: **AML Licht + Design GmbH**, Munich (DE)

(**) Term: **14 Years**

(21) Appl. No.: **29/399,664**

(22) Filed: **Aug. 17, 2011**

Related U.S. Application Data

(62) Division of application No. 29/345,025, filed on Oct. 8, 2009.

(30) **Foreign Application Priority Data**

Apr. 8, 2009 (EM) 001119655-0001
Apr. 8, 2009 (EM) 001119655-0013
Apr. 8, 2009 (EM) 001119655-0021

(51) **LOC (9) Cl.** **26-05**

(52) **U.S. Cl.** **D26/74; D26/72**

(58) **Field of Classification Search** D26/24,
D26/72, 74, 80, 81, 83, 85, 88, 61, 63; 362/576,
362/89, 145, 147, 148, 150, 151, 152, 153,
362/153.1, 294, 296.01, 311.02, 311.07,
362/364, 365, 366, 373

See application file for complete search history.

(56) **References Cited**

U.S. PATENT DOCUMENTS

D109,740 S * 5/1938 Stewart D26/137
D389,592 S * 1/1998 Reiser D26/36
D482,484 S * 11/2003 Benghozi D26/85

D503,823 S * 4/2005 Yurich D26/89
D503,993 S * 4/2005 Yurich D26/89
D503,994 S * 4/2005 Yurich D26/89
D544,128 S * 6/2007 Carro D26/74
D549,384 S * 8/2007 Grawunder D26/89
D571,497 S * 6/2008 Chan et al. D26/74
D607,600 S * 1/2010 Keith D26/85
D609,840 S * 2/2010 Tang D26/74
D617,031 S * 6/2010 Redfern et al. D26/85
D633,231 S * 2/2011 Morrison D26/24

* cited by examiner

Primary Examiner — Angela J Lee

(74) *Attorney, Agent, or Firm* — 24IP Law Group; Timothy E. DeWitt

(57) **CLAIM**

The ornamental design for a ceiling lamp, as shown and described.

DESCRIPTION

FIG. 1 is a perspective view of a third embodiment of a ceiling lamp showing my new design;

FIG. 2 is a side view of the ceiling lamp shown in FIG. 1;

FIG. 3 is a bottom perspective view of the ceiling lamp shown in FIG. 1;

FIG. 4 is a front elevation view of the ceiling lamp shown in FIG. 1;

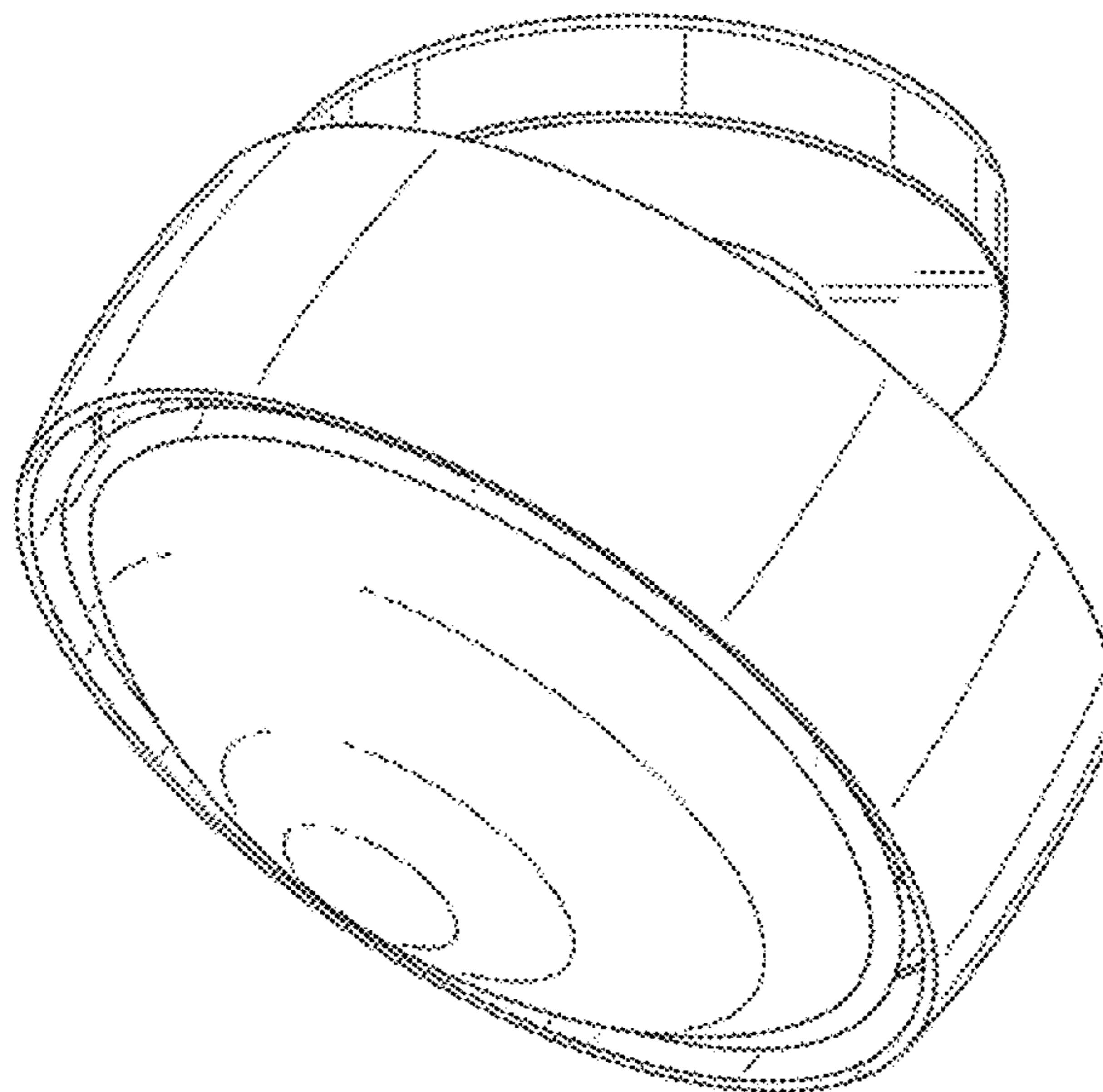
FIG. 5 is a side view of the ceiling lamp shown in FIG. 1, in an alternate position;

FIG. 6 is a back elevation view of the ceiling lamp shown in FIG. 1; and,

FIG. 7 is a top perspective view of the ceiling lamp shown in FIG. 1.

The portions of the ceiling lamp shown in broken lines in the drawings form no part of the claimed design.

1 Claim, 7 Drawing Sheets



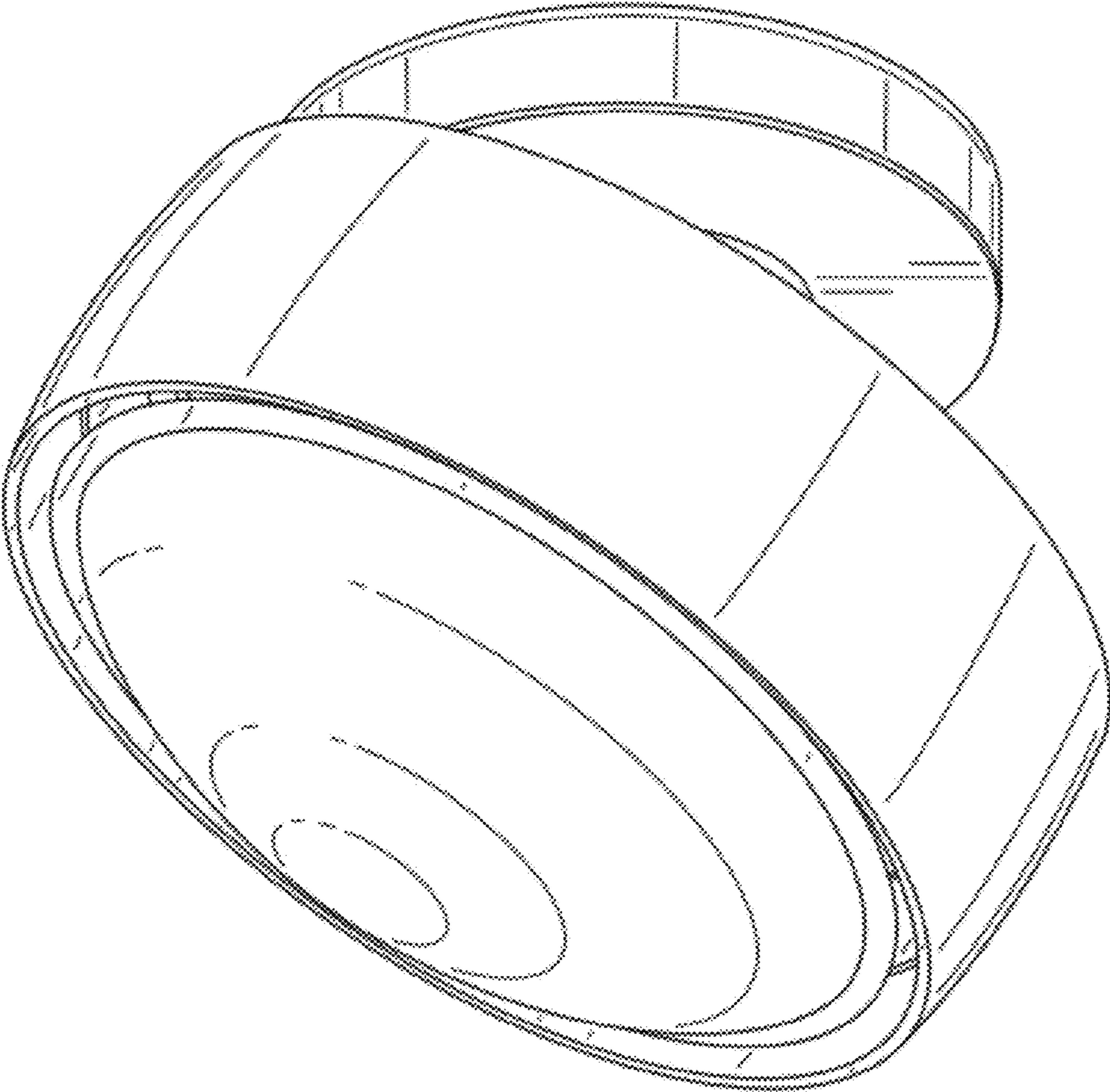


FIG. 1

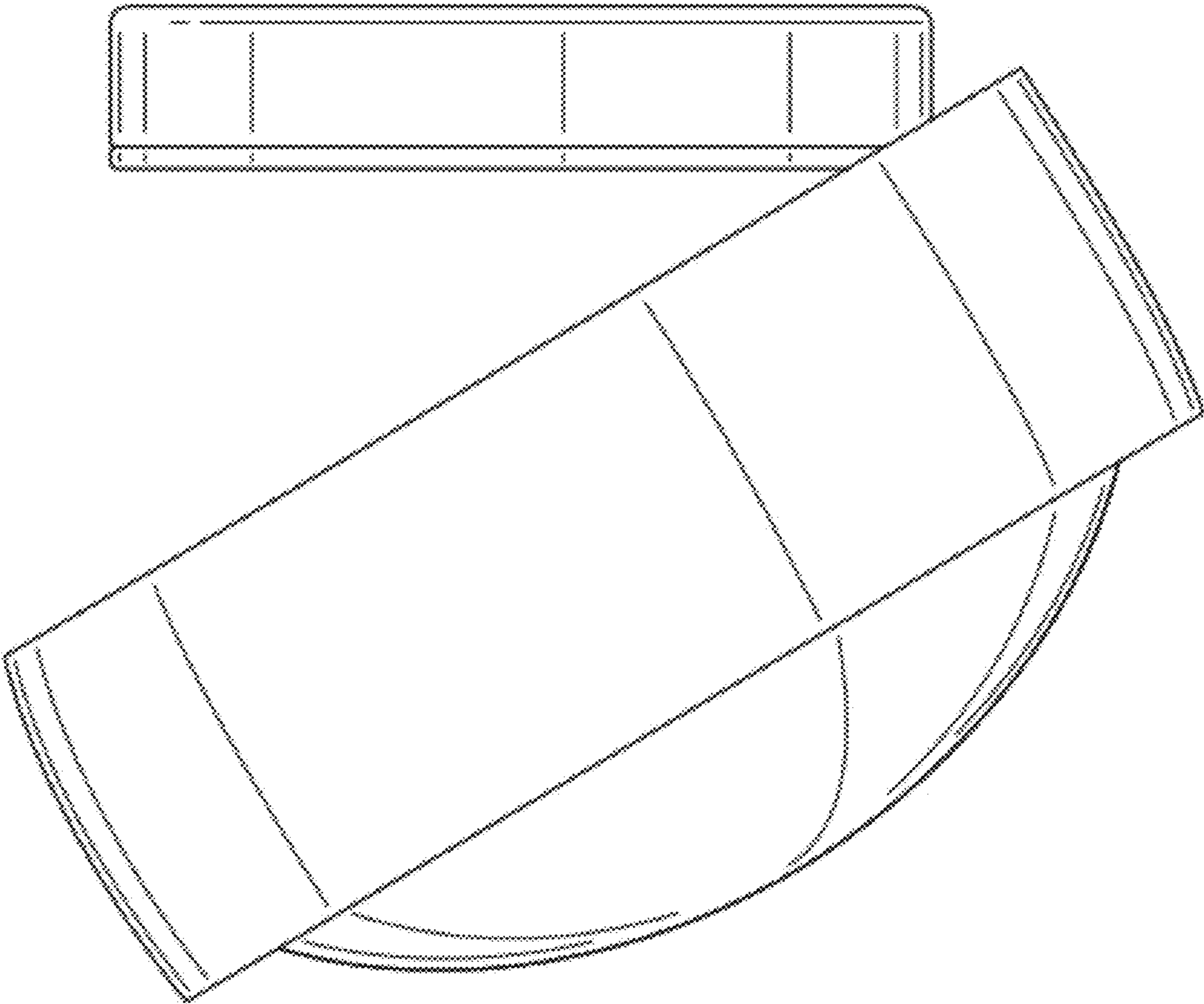


FIG. 2

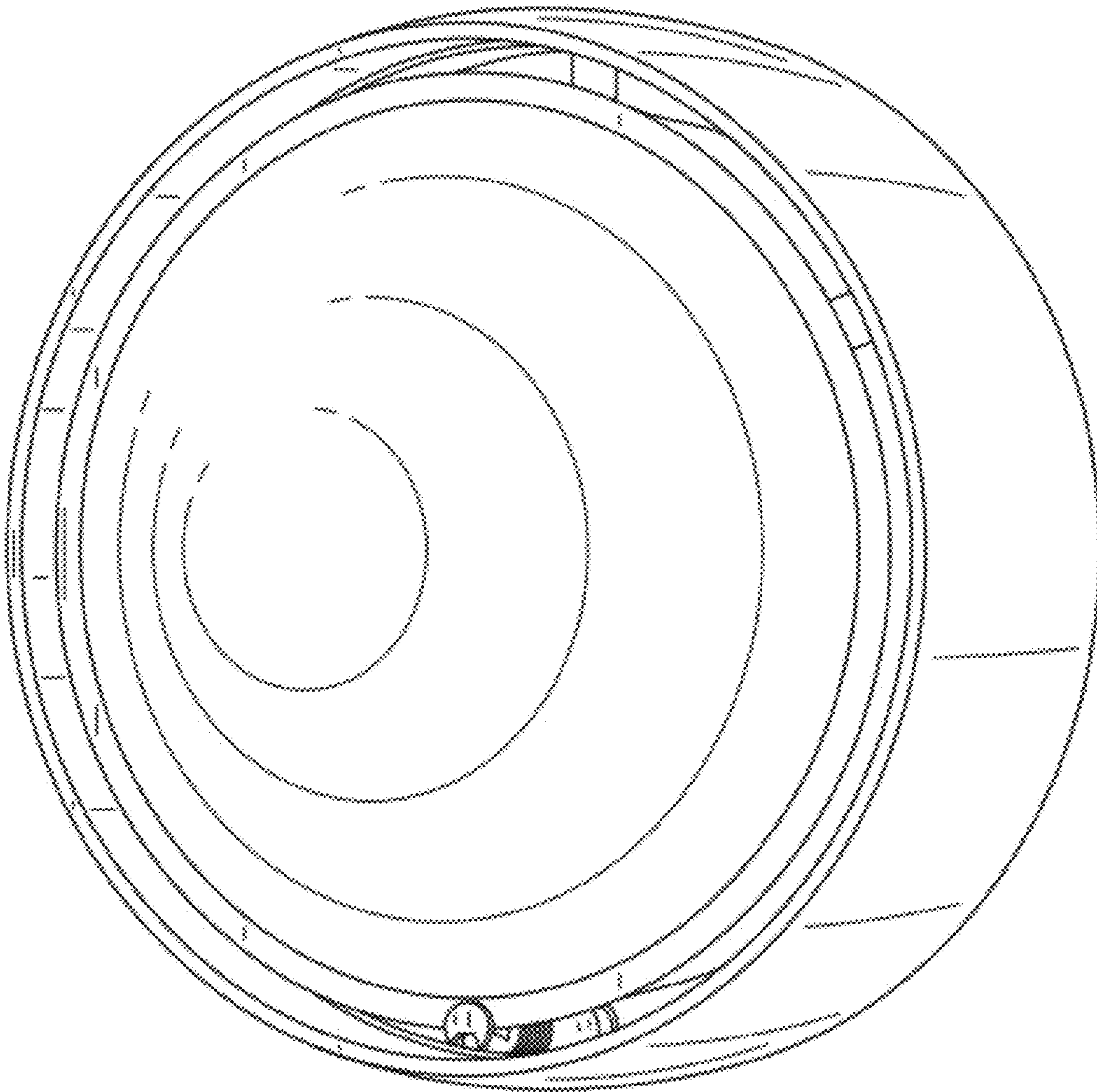


FIG. 3

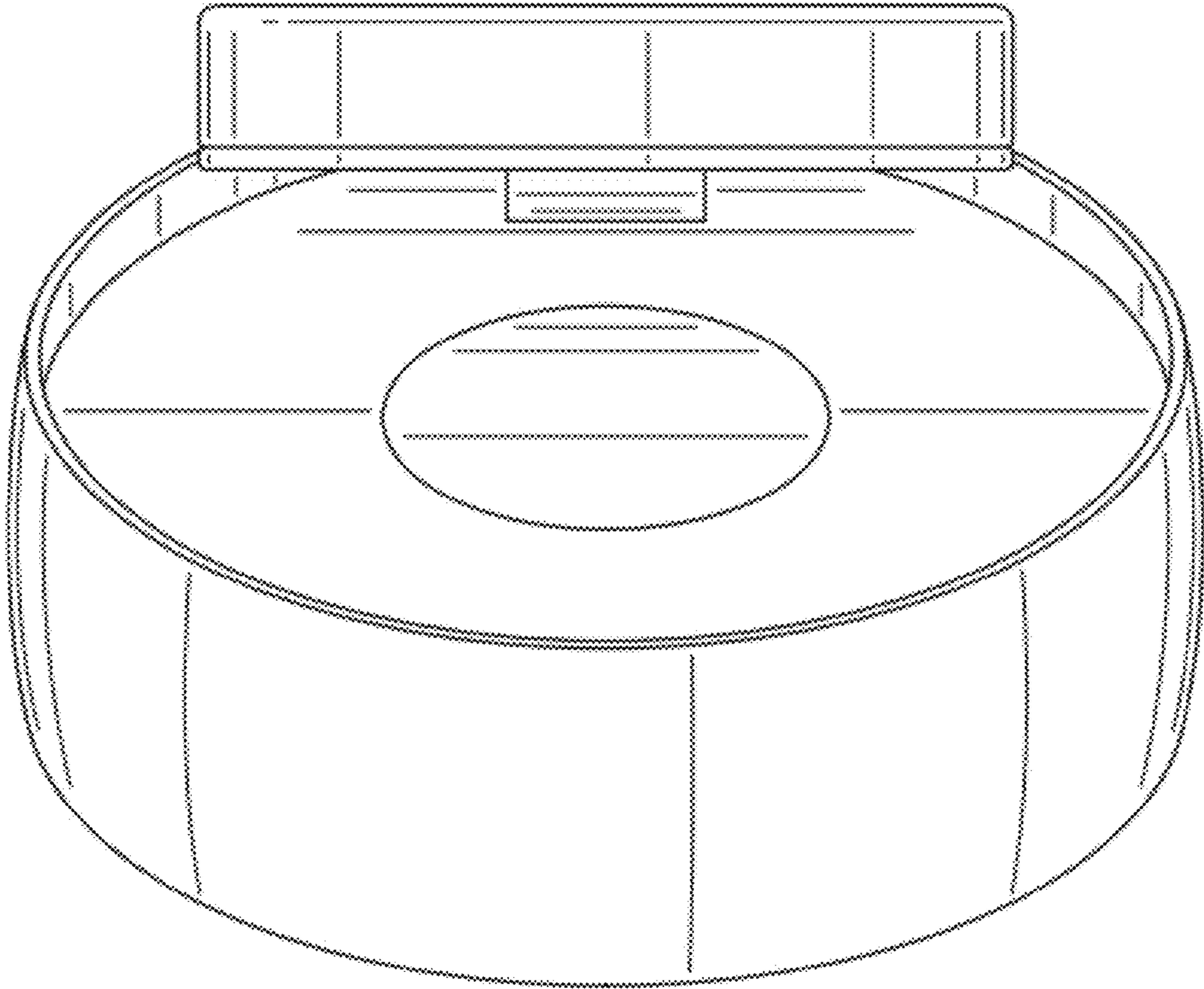


FIG. 4

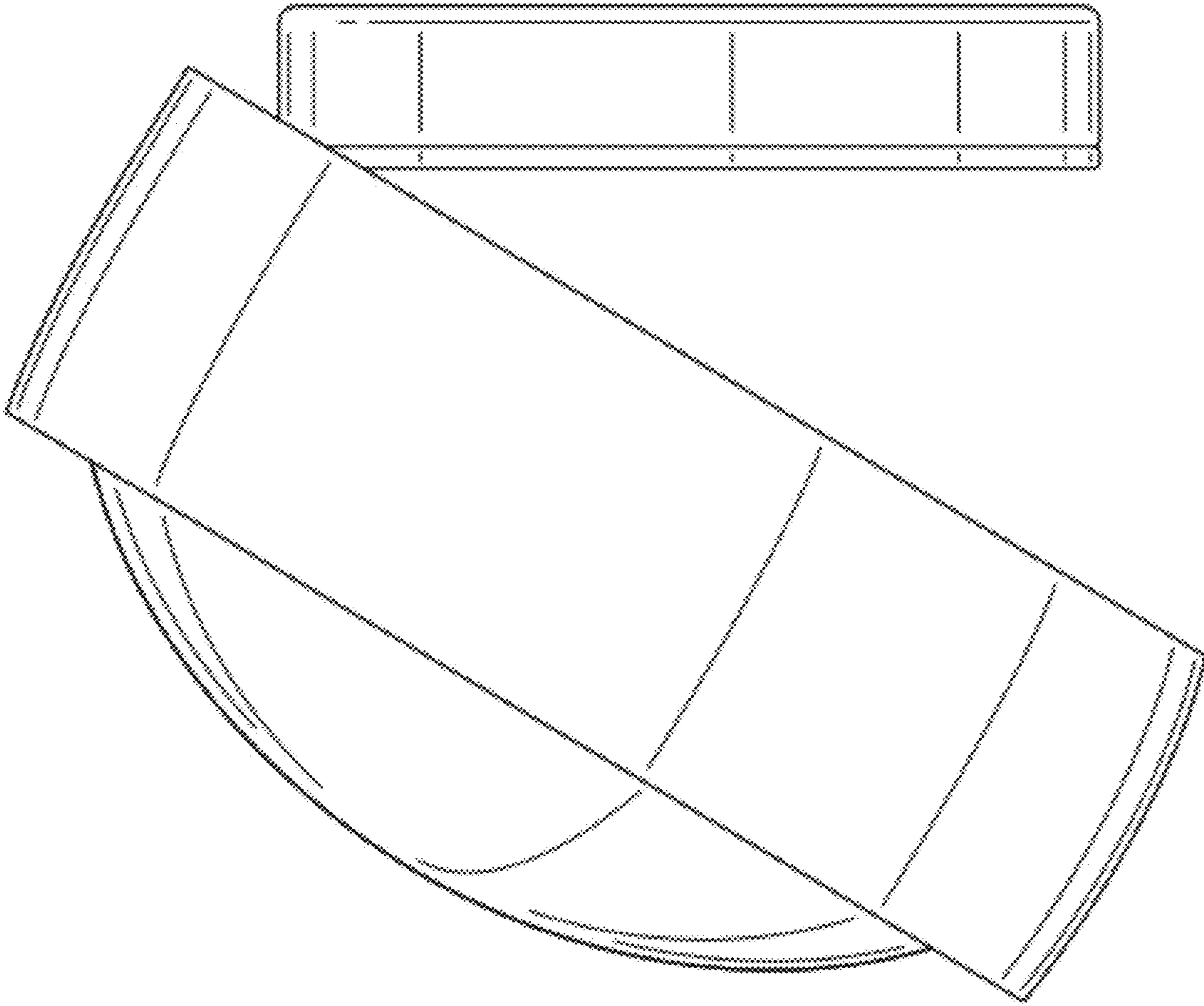


FIG. 5

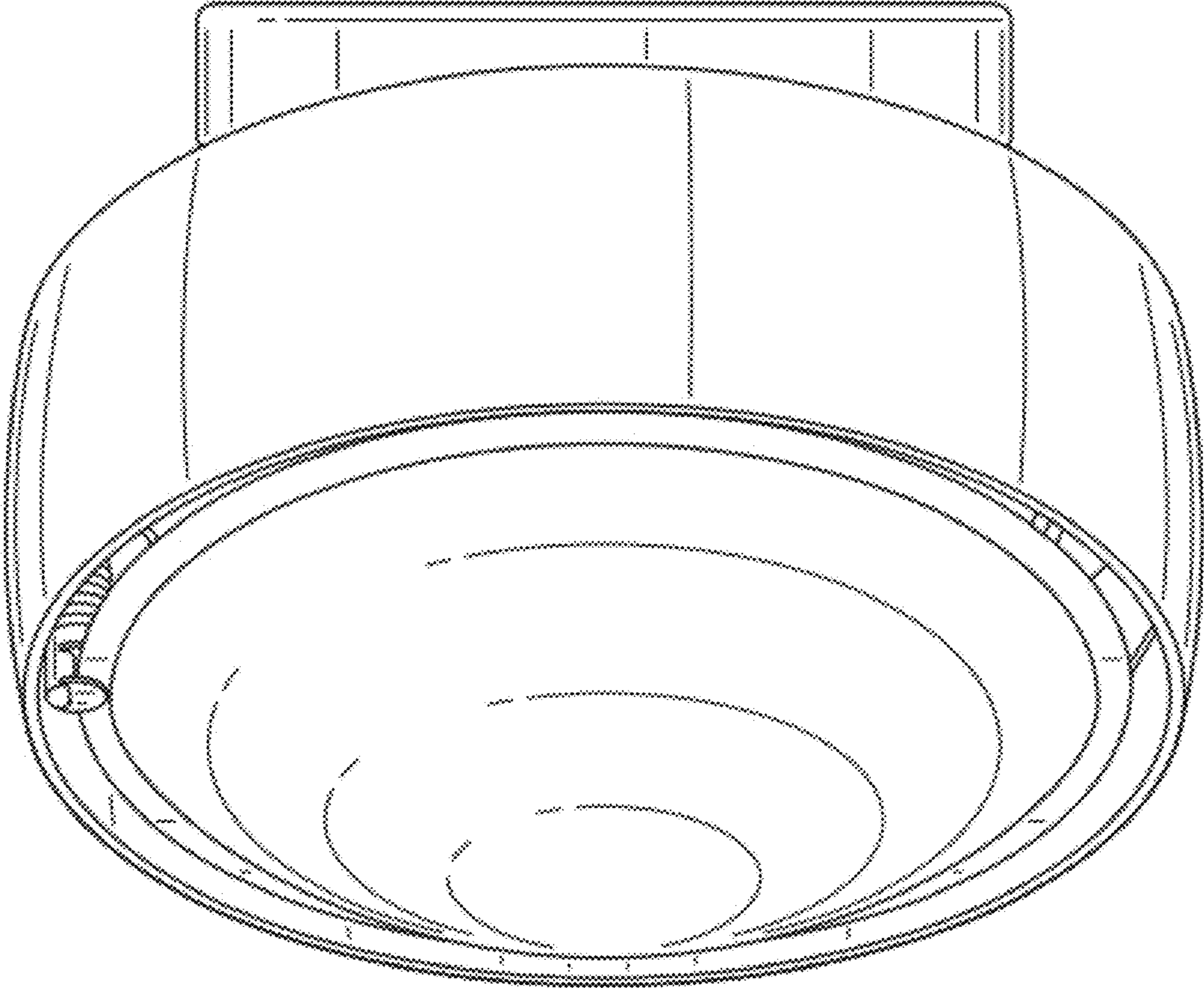


FIG. 6

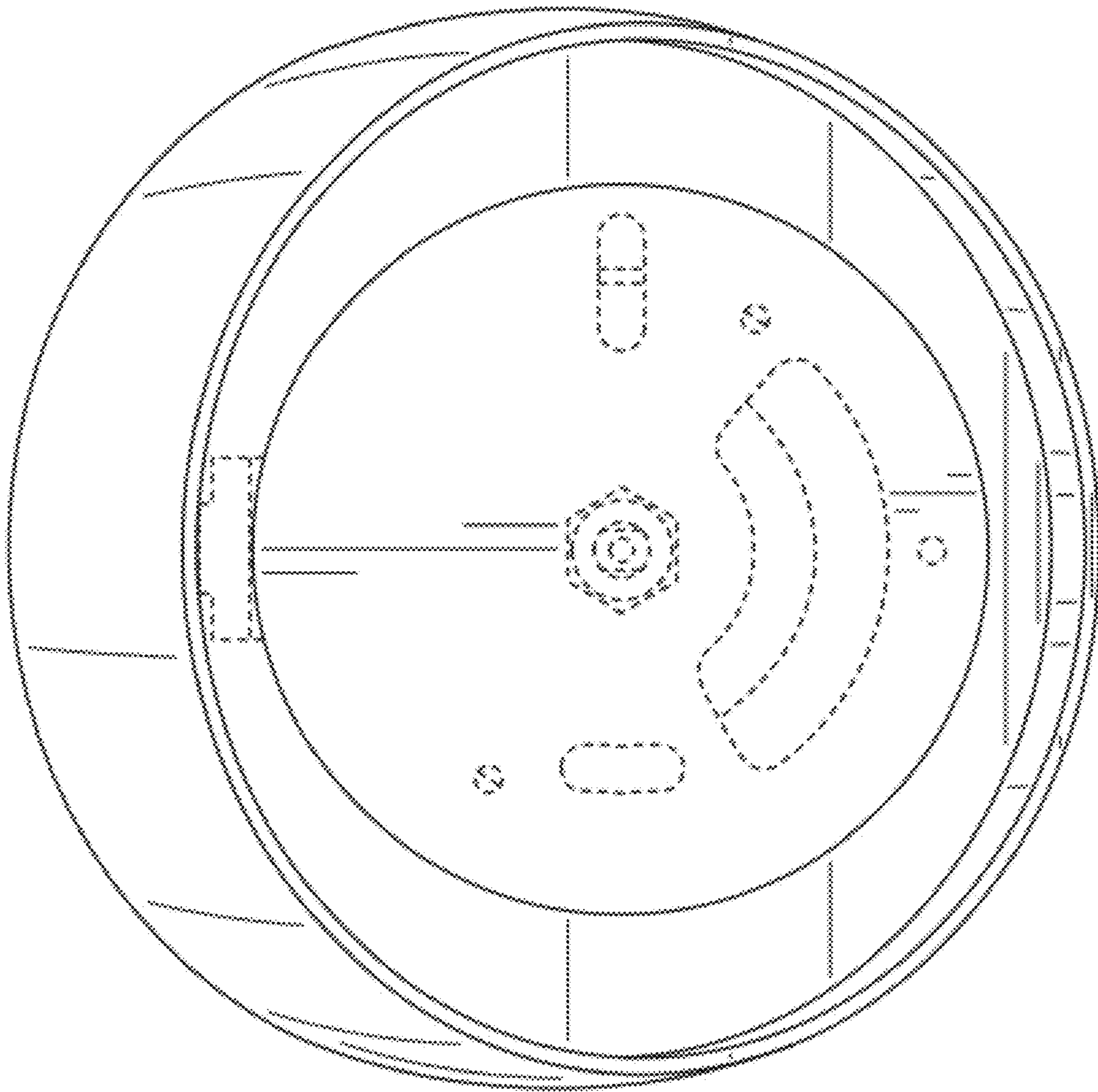


FIG. 7