



US00D664697S

(12) **United States Design Patent**
Piano

(10) **Patent No.:** **US D664,697 S**
(45) **Date of Patent:** **** Jul. 31, 2012**

(54) **OUTDOOR LIGHTING APPARATUS**

(75) Inventor: **Matteo Piano**, Genoa (IT)

(73) Assignee: **Iguzzini Illuminazione S.p.A.**, Recanati (IT)

(**) Term: **14 Years**

(21) Appl. No.: **29/410,095**

(22) Filed: **Jan. 4, 2012**

(30) **Foreign Application Priority Data**

Jul. 8, 2011 (EM) 001888967-0001

(51) **LOC (9) Cl.** **26-05**

(52) **U.S. Cl.** **D26/71**

(58) **Field of Classification Search** D26/67-71,
D26/92; 362/249.01-249.06, 294, 373, 431
See application file for complete search history.

(56) **References Cited**

U.S. PATENT DOCUMENTS

D195,310 S * 5/1963 Zagel D26/70
D195,583 S * 7/1963 Phillips D26/71
5,171,088 A * 12/1992 Tellier et al. 362/428
5,595,440 A * 1/1997 Gordin et al. 362/247

5,906,425 A * 5/1999 Gordin et al. 362/153.1
6,459,384 B1 * 10/2002 Wahlin 340/907
D598,156 S * 8/2009 Xiao et al. D26/69
D599,049 S * 8/2009 Guercio D26/69
D599,941 S * 9/2009 Wang et al. D26/71
D609,383 S * 2/2010 Chang D26/71
D629,152 S * 12/2010 Laporte D26/120
D629,953 S * 12/2010 Laporte D26/71
D656,267 S * 3/2012 Laporte D26/120

* cited by examiner

Primary Examiner — Clare E Heflin

(57) **CLAIM**

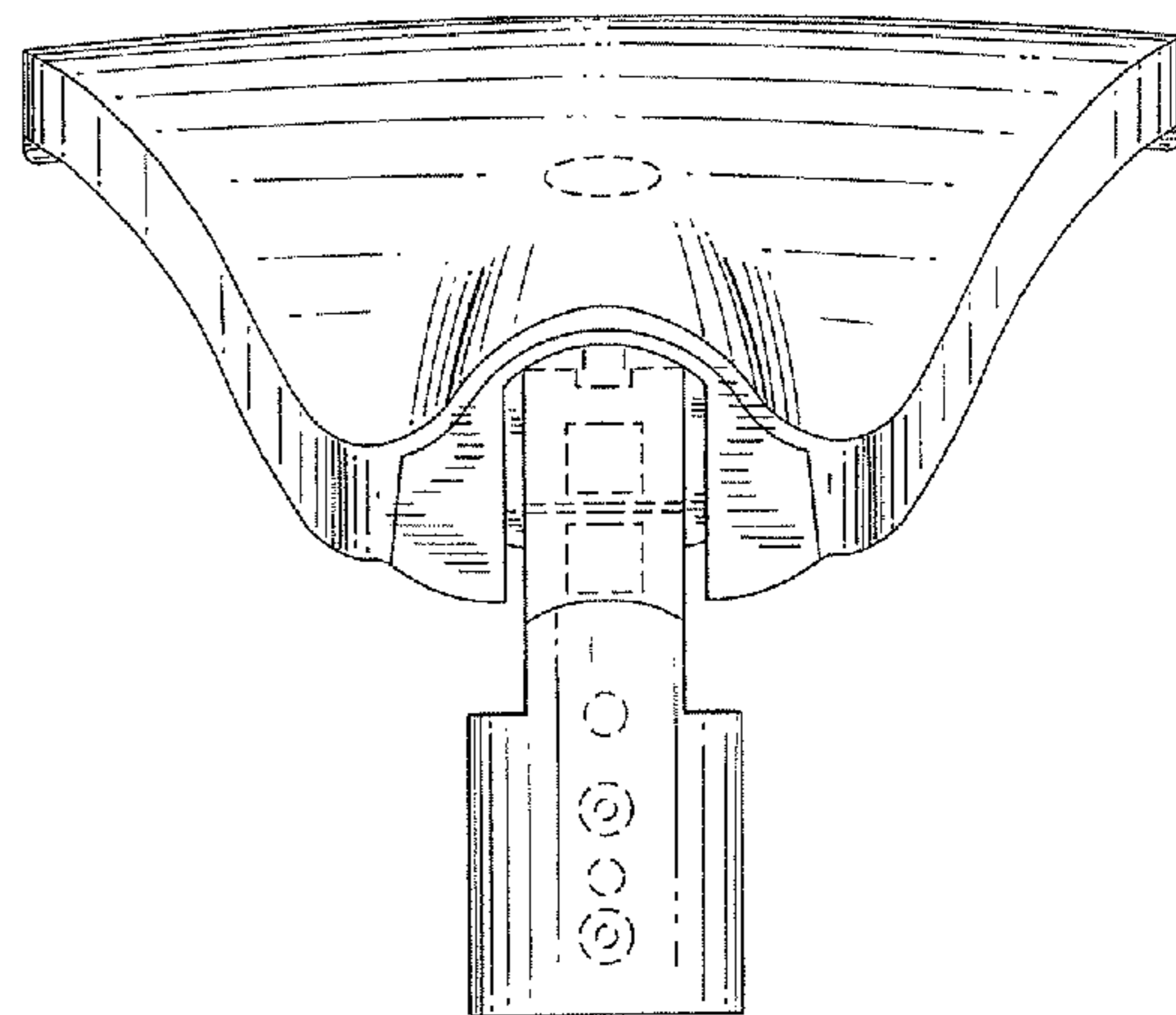
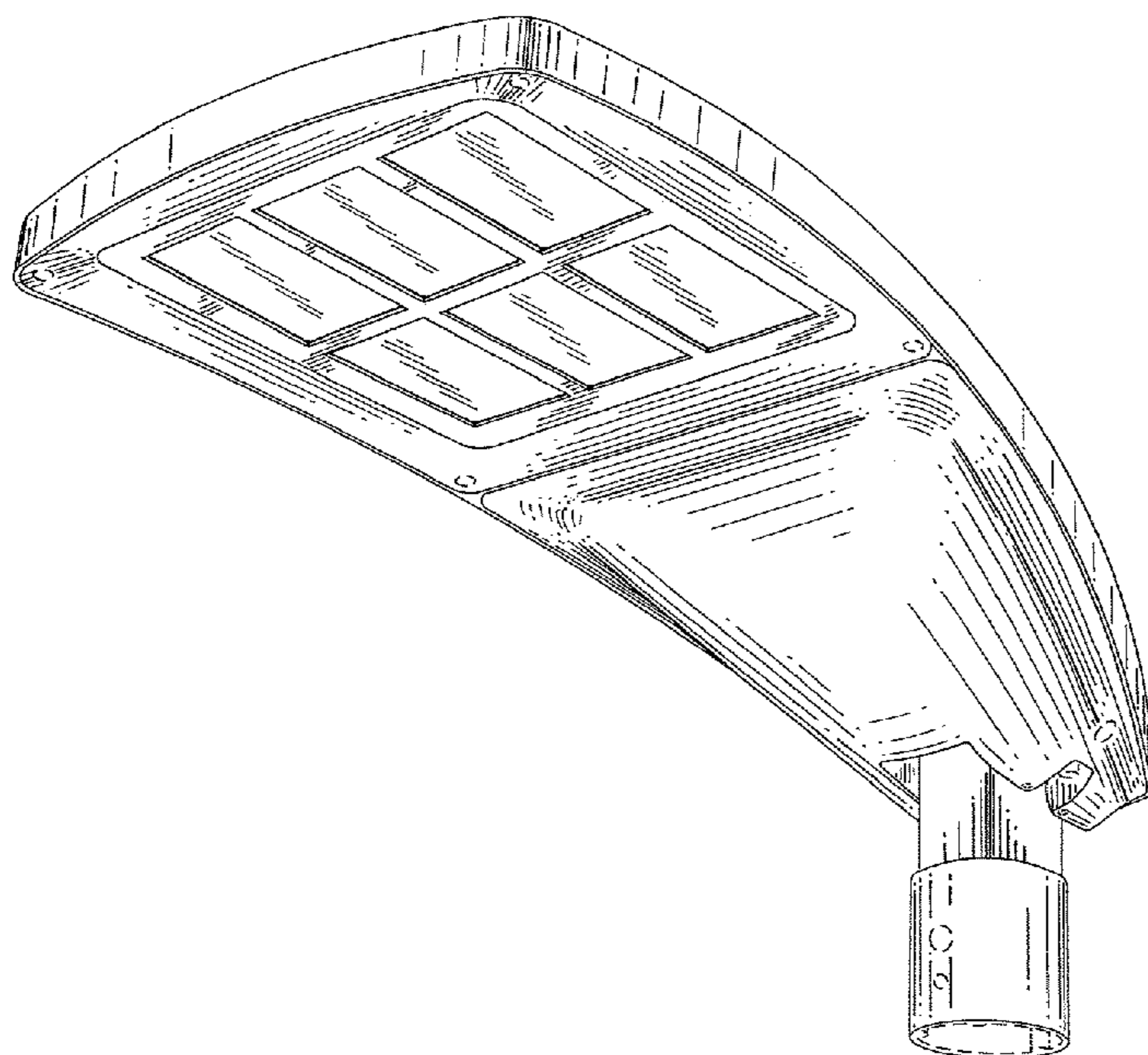
The ornamental design for an outdoor lighting apparatus, as shown and described.

DESCRIPTION

FIG. 1 is a bottom, front, left side perspective view of my new outdoor lighting apparatus design;
FIG. 2 is a bottom plan view thereof;
FIG. 3 is a front elevational view thereof;
FIG. 4 is a right side view thereof, the left side view thereof being a mirror image;
FIG. 5 is a rear elevation view thereof; and,
FIG. 6 is a top plan view thereof.

The broken lines shown on the drawings depict portions of the light fixture that form no part of the claimed design.

1 Claim, 6 Drawing Sheets



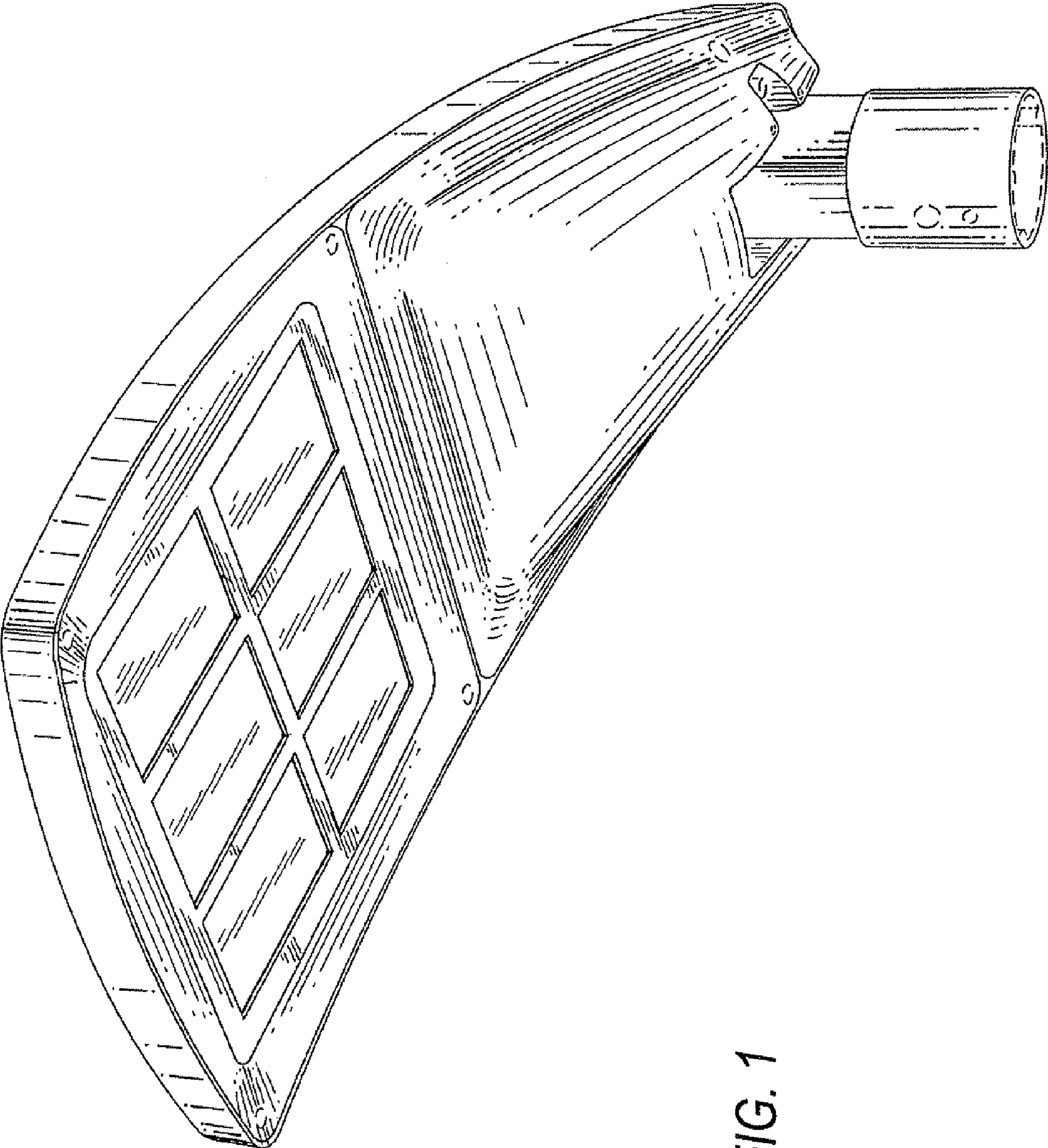


FIG. 1

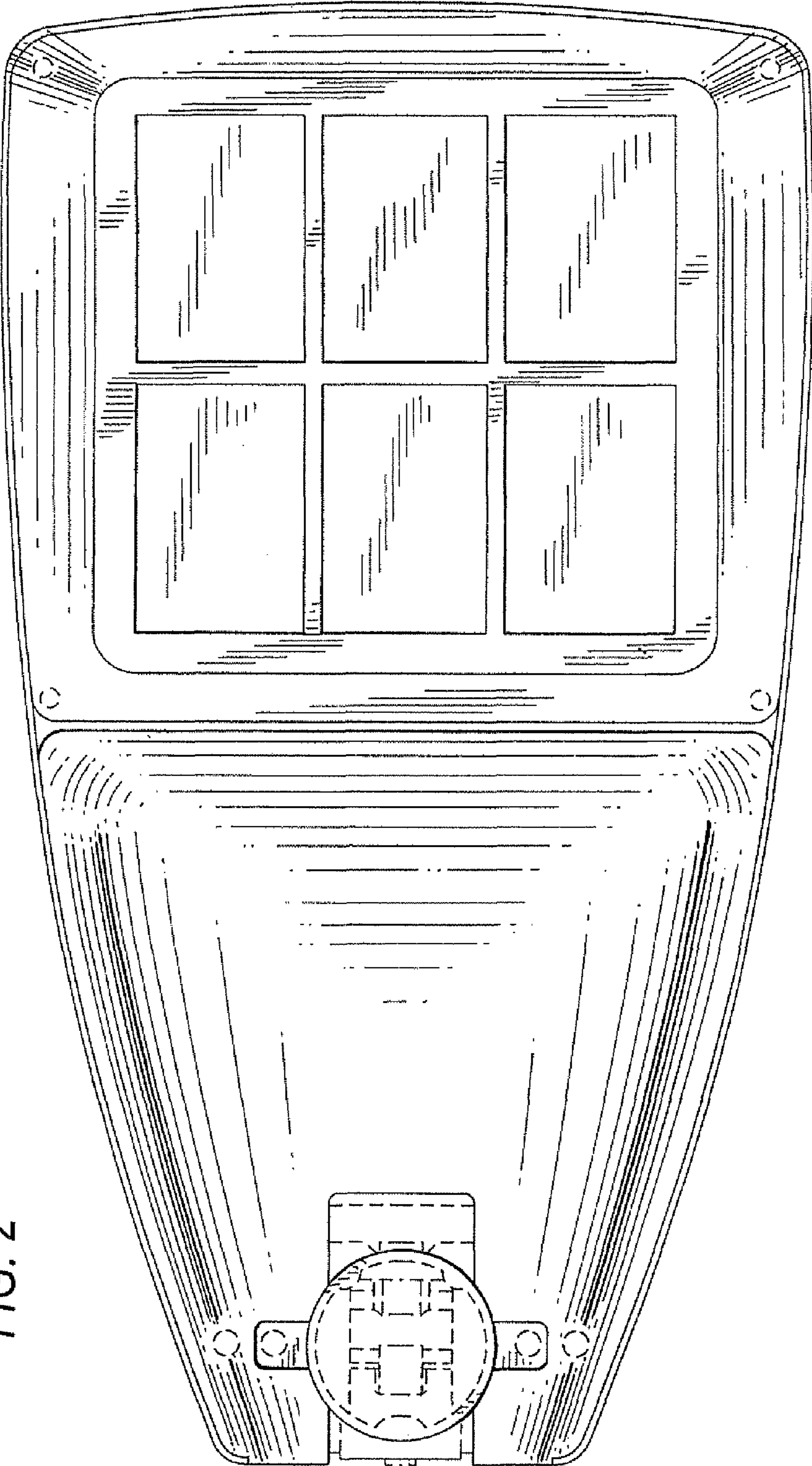


FIG. 2

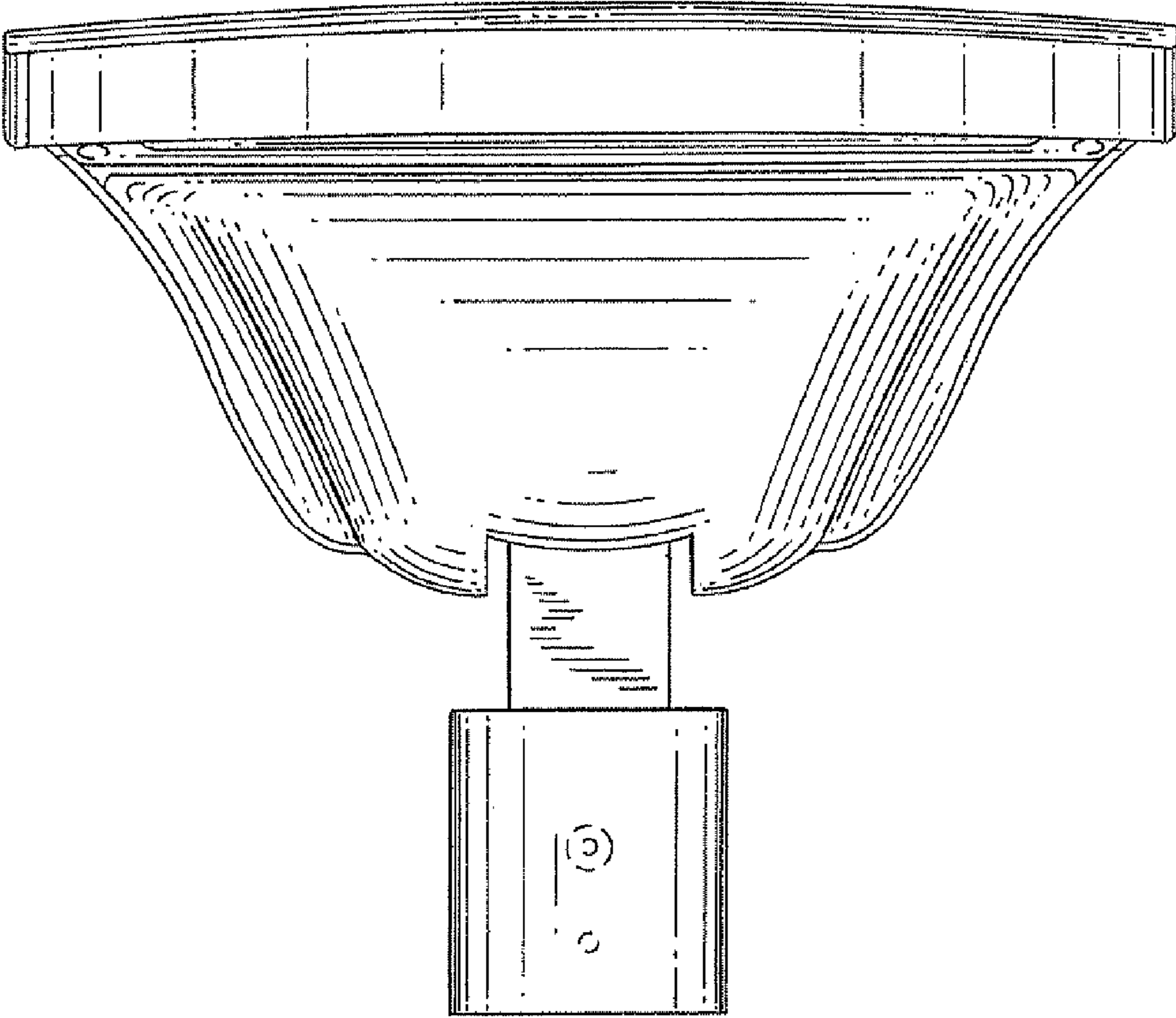
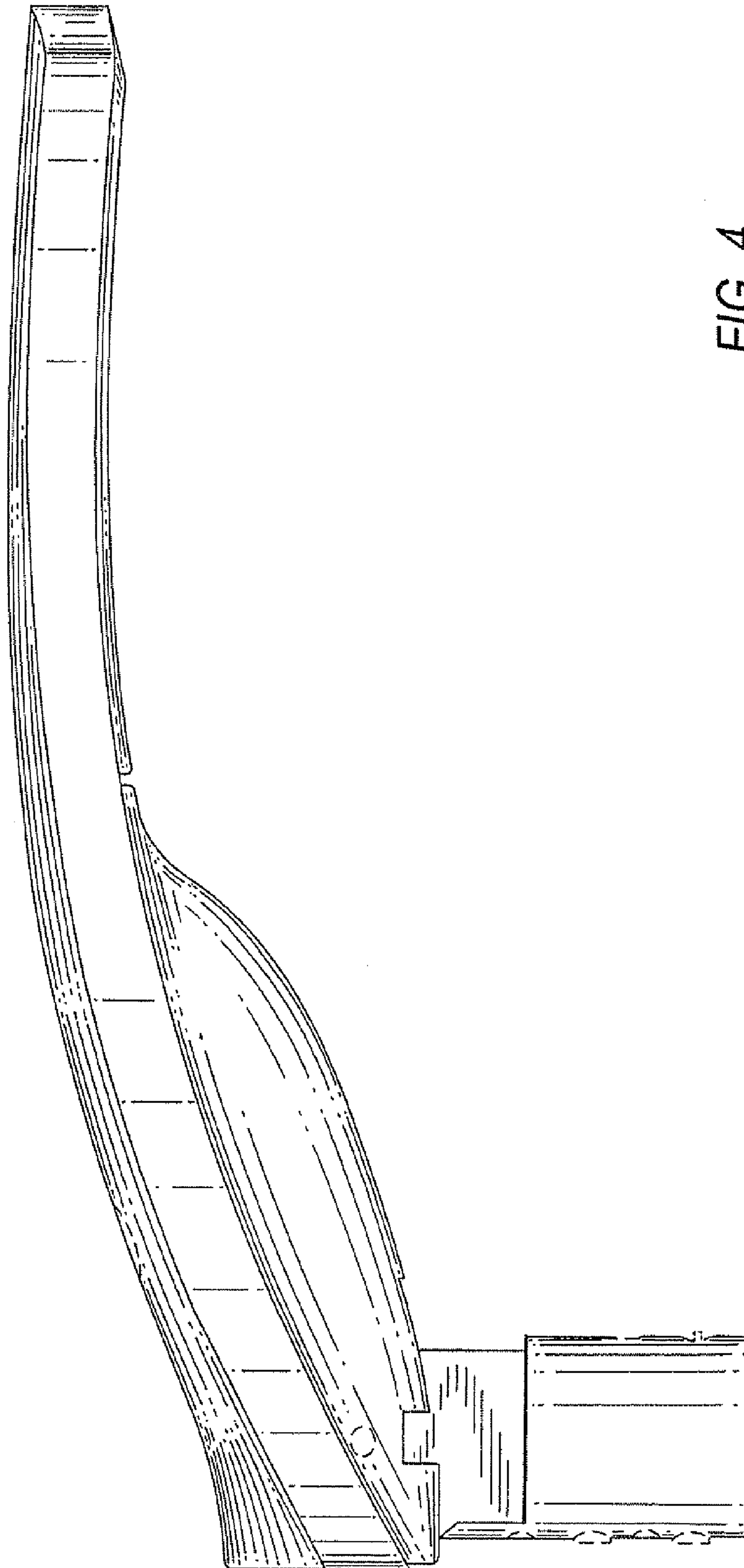


FIG. 3



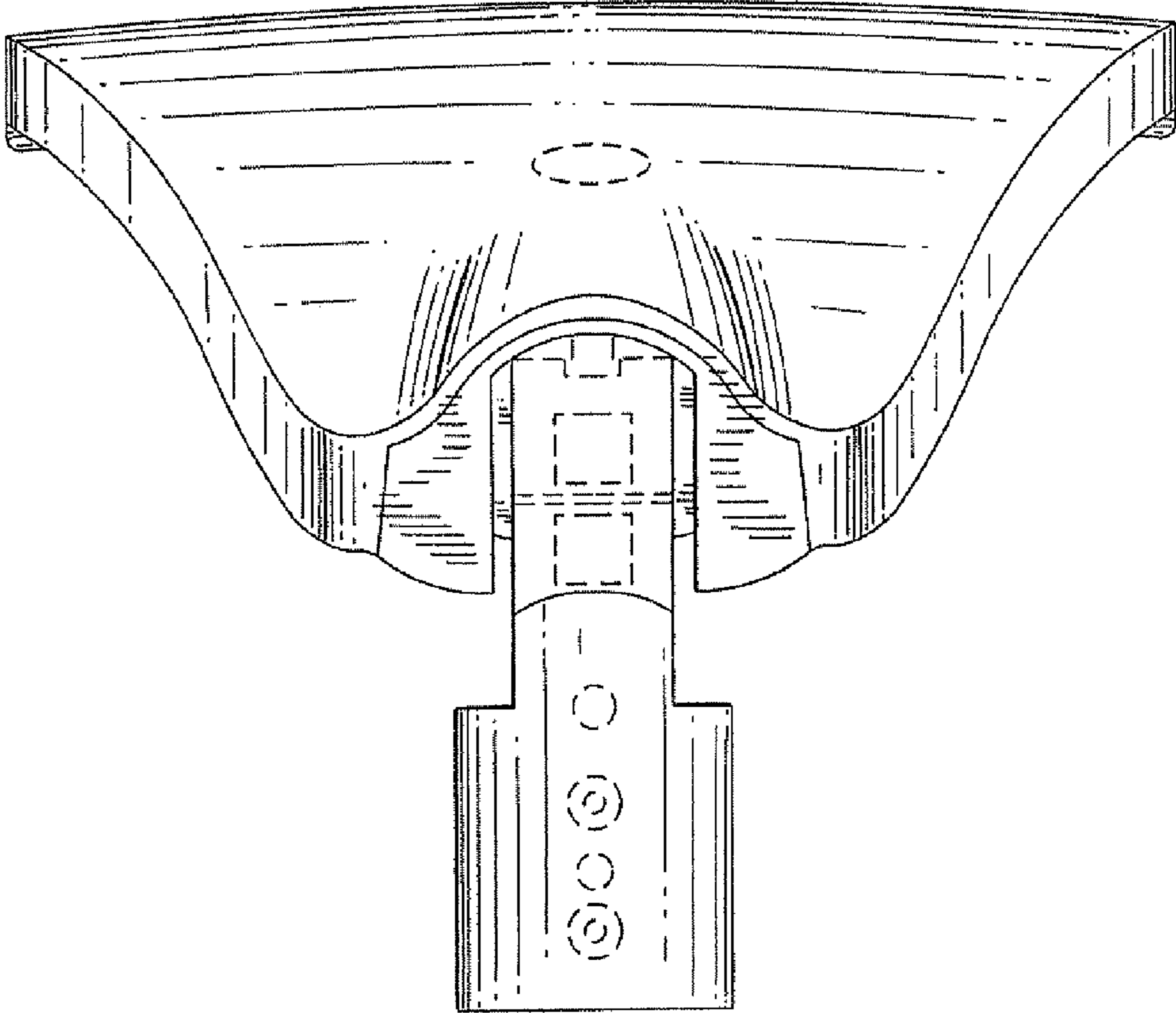


FIG. 5

FIG. 6

