



US00D664694S

(12) **United States Design Patent**
Guercio et al.

(10) **Patent No.:** **US D664,694 S**
(45) **Date of Patent:** **** Jul. 31, 2012**

- (54) **GOOSENECK LED FIXTURE**
- (75) Inventors: **Vincenzo Guercio**, Wallkill, NY (US);
Wengang Gao, Ningbio (CN)
- (73) Assignee: **RAB Lighting Inc.**, Northvale, NJ (US)
- (**) Term: **14 Years**
- (21) Appl. No.: **29/391,321**
- (22) Filed: **May 6, 2011**
- (51) **LOC (9) Cl.** **26-05**
- (52) **U.S. Cl.** **D26/62**
- (58) **Field of Classification Search** D26/60-66,
D26/107, 118, 72, 85, 87, 92; 362/269, 270,
362/277, 282, 285, 287, 427, 145, 147, 800,
362/319, 322, 351, 352, 355, 278, 418, 419,
362/432, 449
See application file for complete search history.

- D581,583 S 11/2008 Peng
- D582,579 S 12/2008 Tsai et al.
- D586,498 S 2/2009 Wu et al.
- D590,077 S 4/2009 Grajcar
- D590,977 S * 4/2009 Mullen D26/62
- D601,276 S 9/2009 Grajcar
- D601,279 S 9/2009 Ou et al.
- D610,723 S 2/2010 Grajcar
- D616,576 S 5/2010 Wang et al.
- D617,014 S 6/2010 Foo
- D627,920 S * 11/2010 Hanna et al. D26/134
- D632,833 S * 2/2011 Lee D26/123

* cited by examiner

Primary Examiner — Susan M Lee
Assistant Examiner — Linda G. Brooks
(74) *Attorney, Agent, or Firm* — Stewart & Irwin, P.C.;
Dennis S. Schell; Bassam S. Nader

(57) **CLAIM**
The ornamental design for a gooseneck LED fixture, as shown and described.

(56) **References Cited**

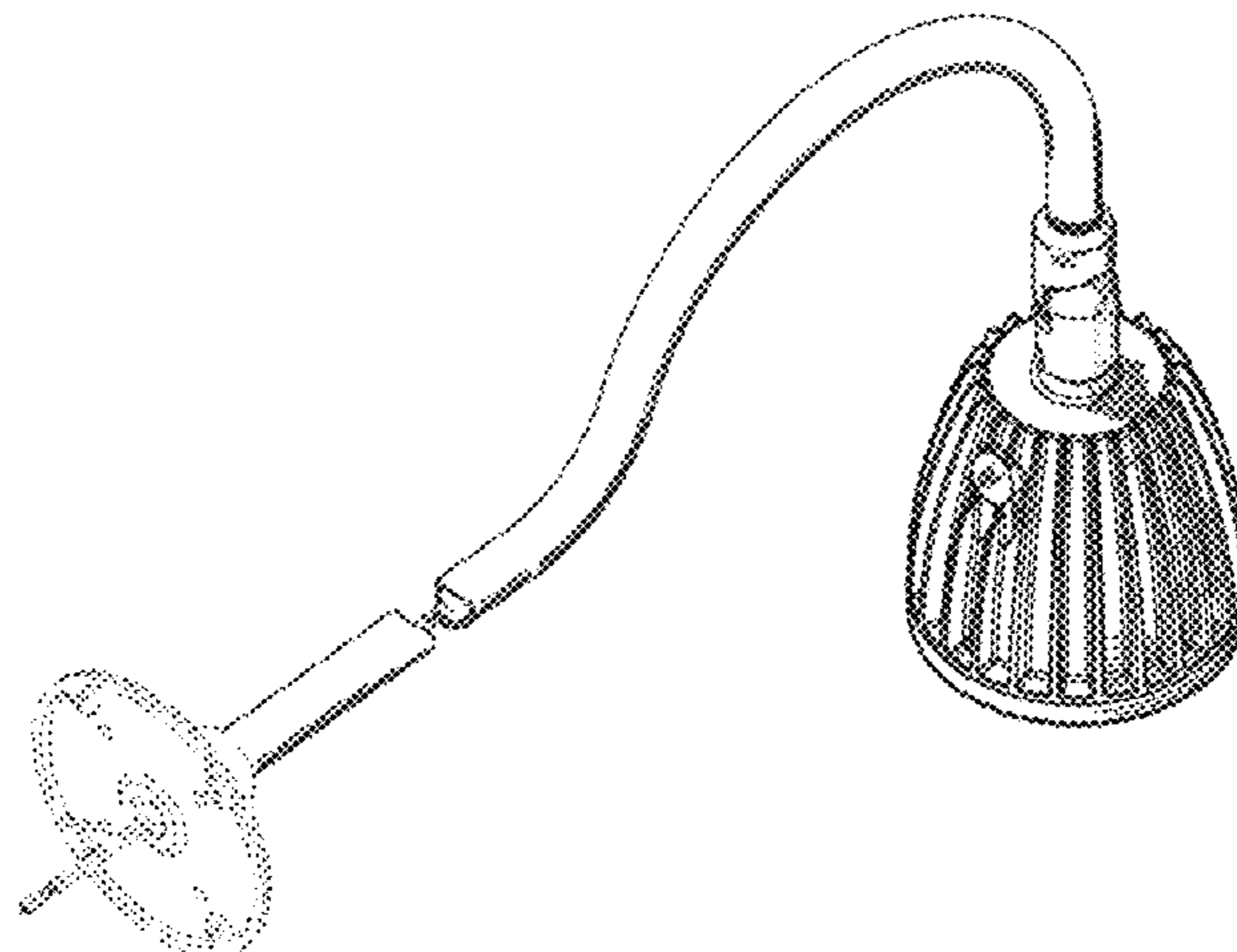
DESCRIPTION

U.S. PATENT DOCUMENTS

- D42,961 S * 9/1912 D'Olier, Jr. D26/128
- D56,547 S * 11/1920 Yates D26/131
- D59,056 S * 9/1921 Benjamin D26/131
- D83,058 S 1/1931 O'Neil
- D90,240 S * 7/1933 Ender D26/134
- D106,774 S 7/1937 Phillips
- 3,636,339 A 1/1972 Osborne, Jr.
- 3,639,751 A 2/1972 Pichel
- 4,654,768 A 3/1987 Dryman
- 4,761,721 A 8/1988 Willing
- D332,504 S 1/1993 Ewing et al.
- D370,289 S * 5/1996 Deron D26/92
- 6,203,176 B1 3/2001 Gordin
- D516,229 S 2/2006 Tang
- D528,673 S 9/2006 Maxik et al.
- D544,127 S 6/2007 Posey
- D547,466 S 7/2007 Lo
- D549,380 S 8/2007 Guercio
- D566,300 S 4/2008 Lo
- D573,294 S 7/2008 Chan et al.

FIG. 1 is a top perspective view of the new design;
FIG. 2 is a front view thereof;
FIG. 3 is a right view thereof;
FIG. 4 is a left view thereof;
FIG. 5 is a rear view thereof;
FIG. 6 is a top view thereof;
FIG. 7 is a bottom view thereof;
FIG. 8 is a bottom perspective view thereof;
FIG. 9 is a left view of FIG. 4 showing the LED housing pivoted toward the front; and,
FIG. 10 is a left view of FIG. 4 showing the LED housing pivoted toward the rear.
The broken lines shown in the drawings are for the purpose of illustrating aspects that form no part of the claimed design.
The lamp arm is shown broken away in FIGS. 1, 3, 4, 6, 7, 8, 9, and 10 to show that no particular length is claimed.

1 Claim, 10 Drawing Sheets



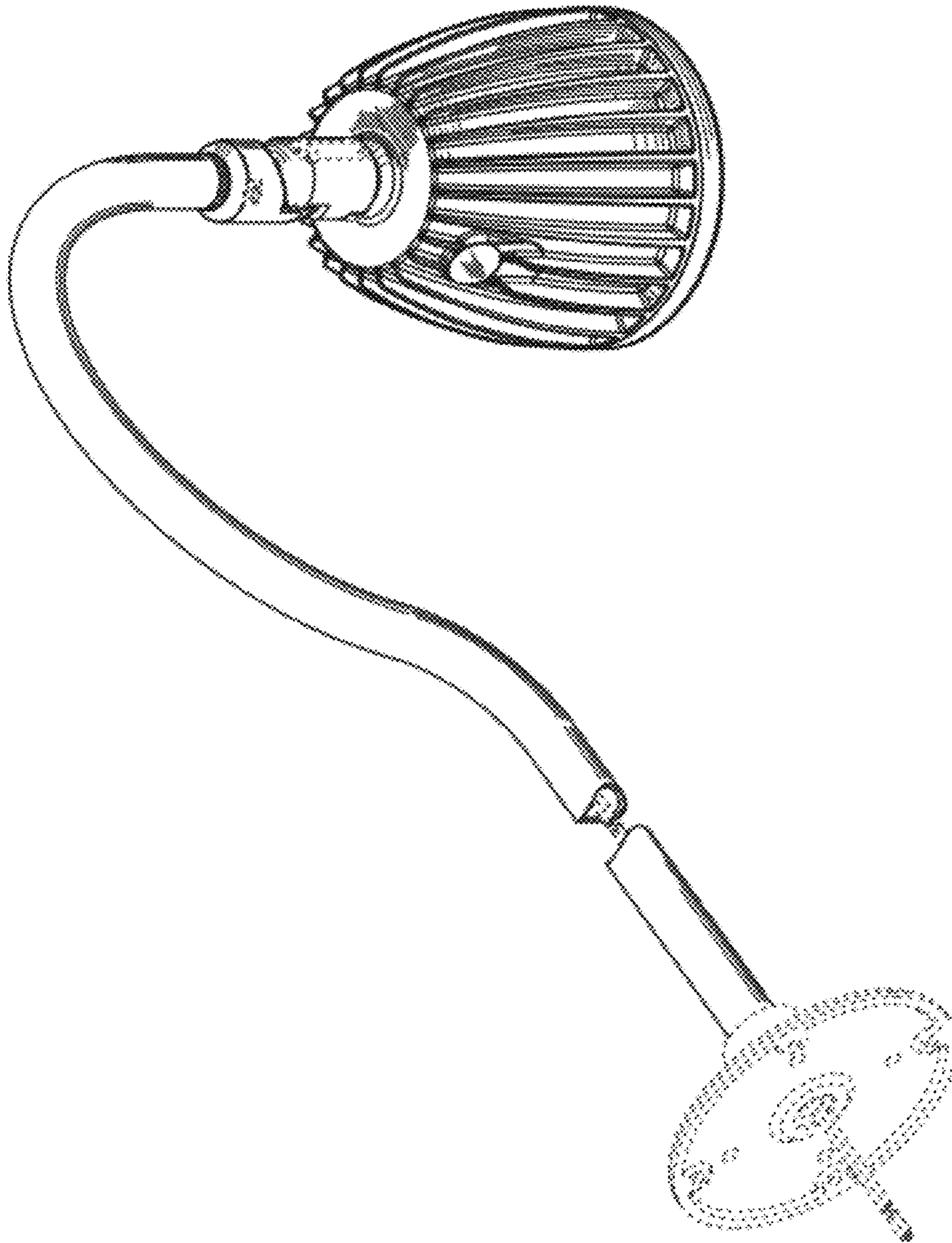


Fig. 1

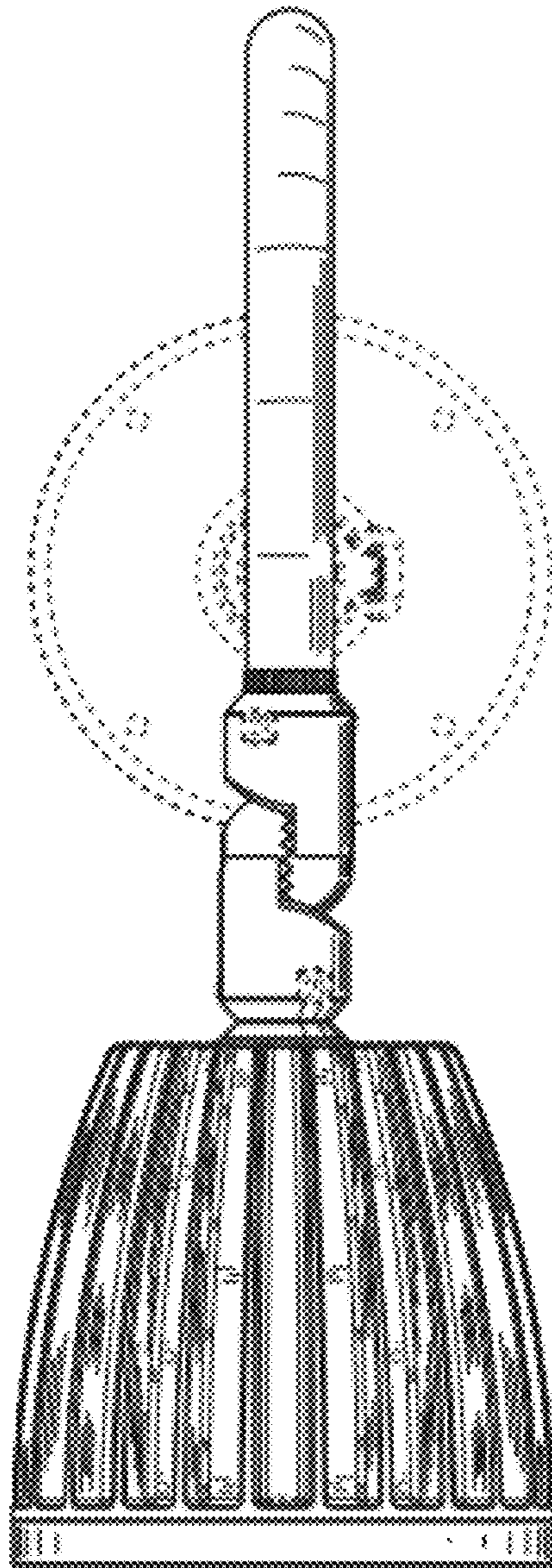


Fig. 2

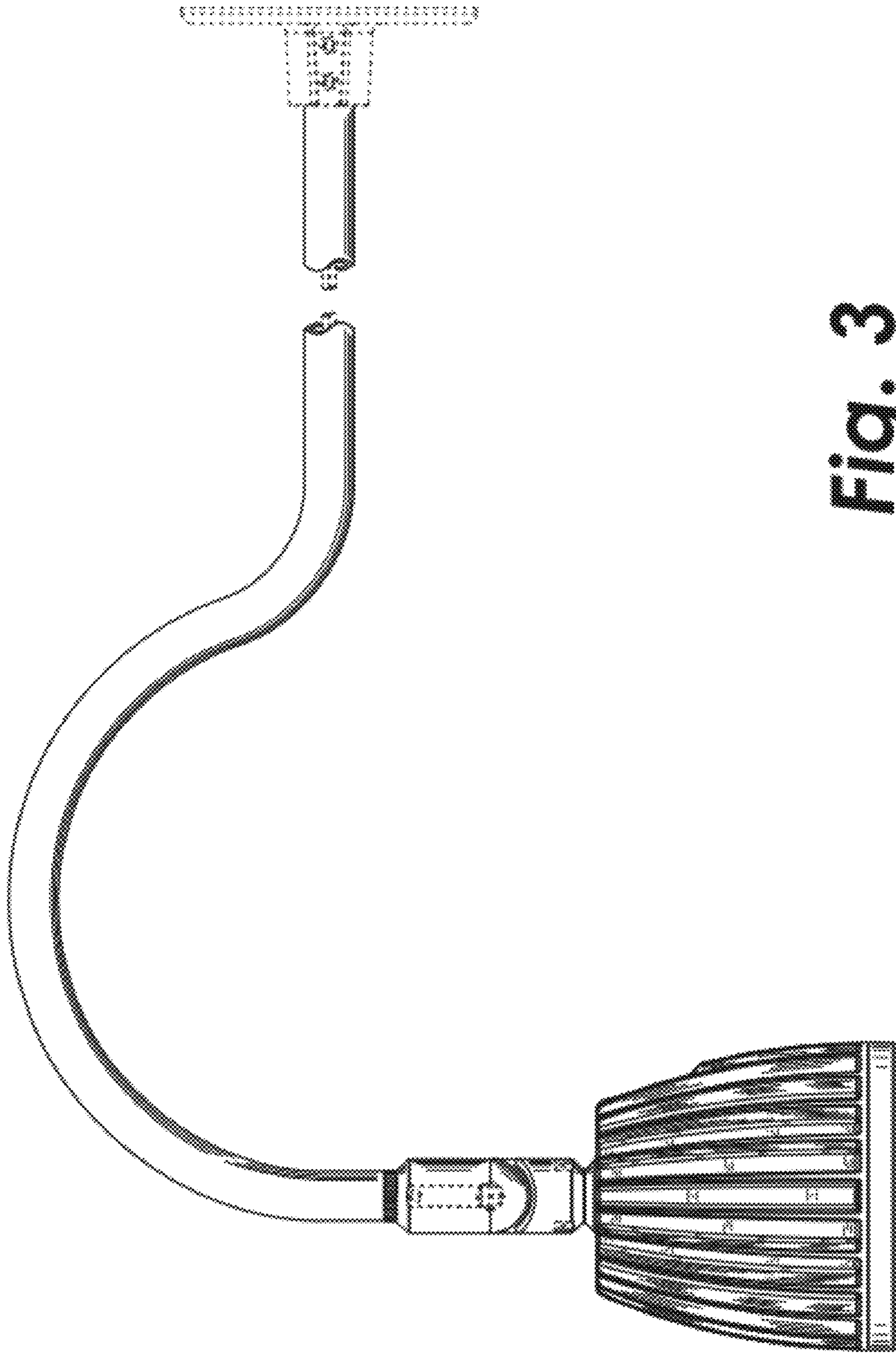


Fig. 3

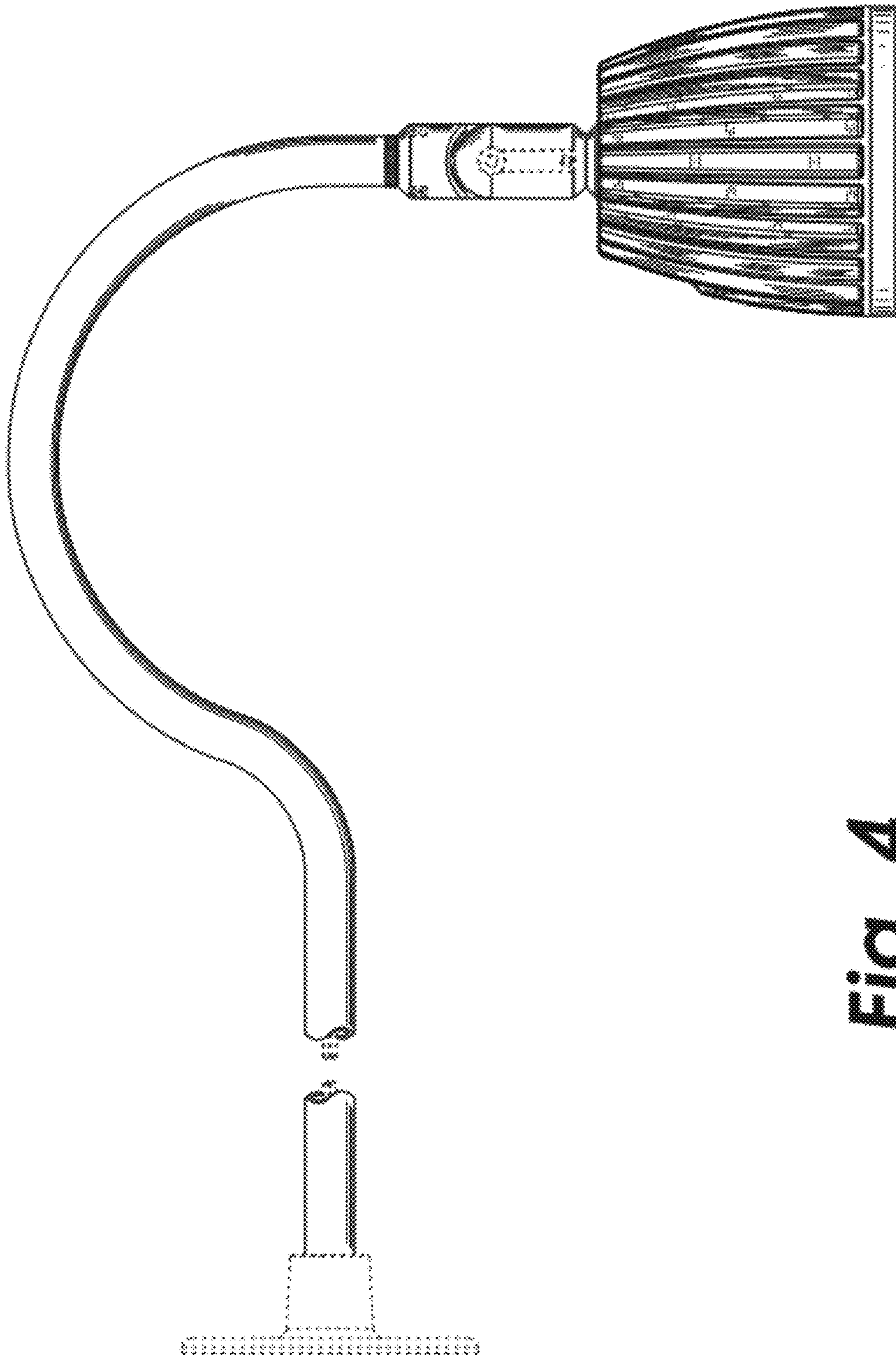


Fig. 4

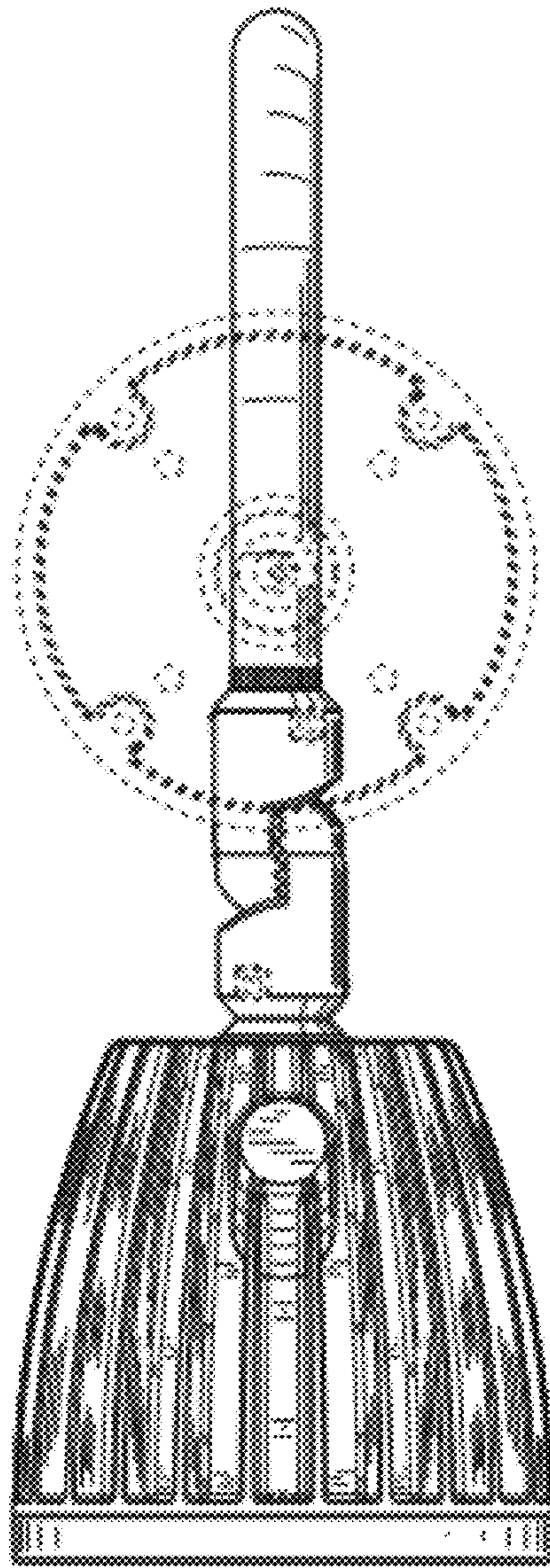


Fig. 5

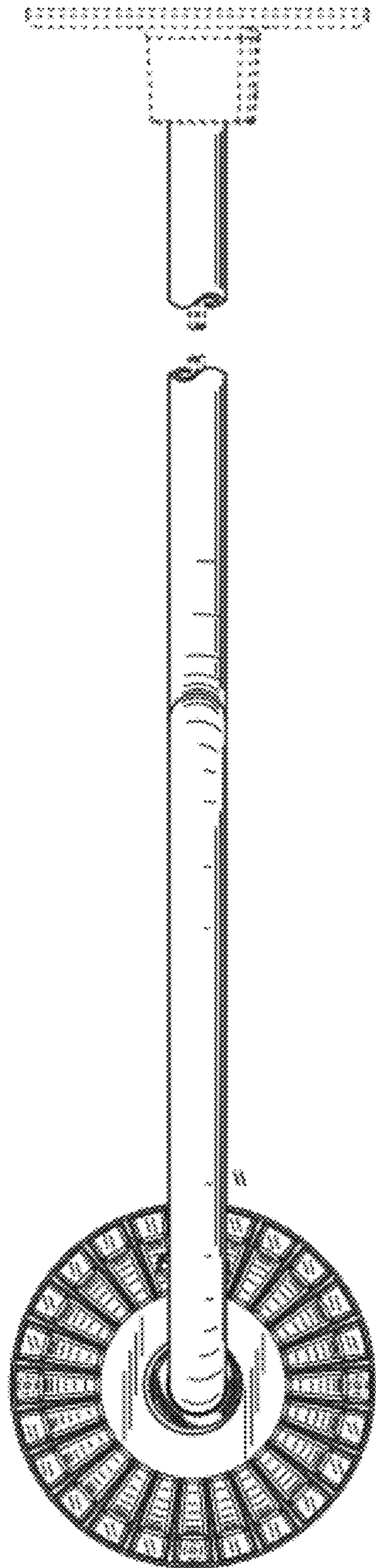


Fig. 6

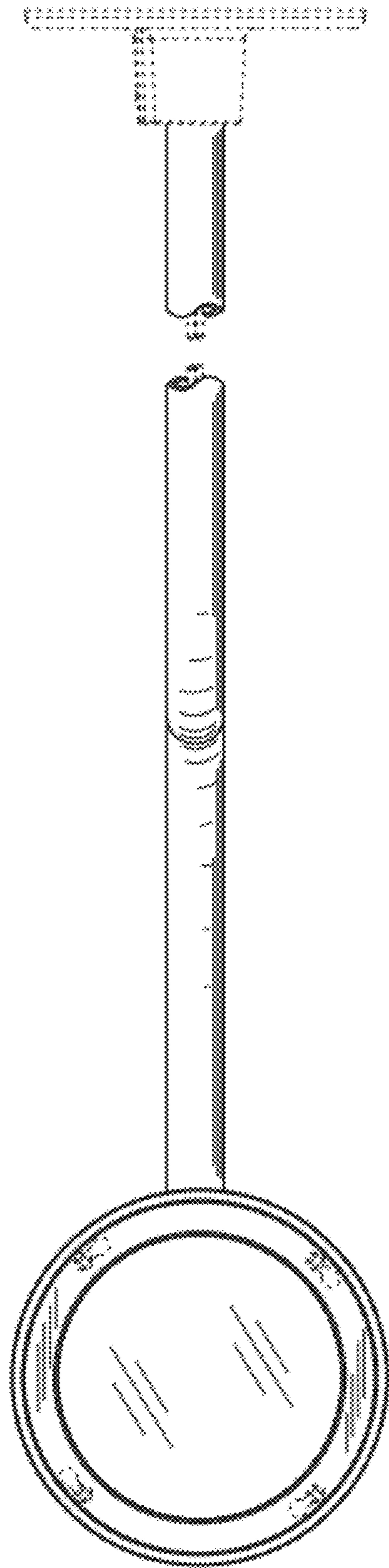


Fig. 7

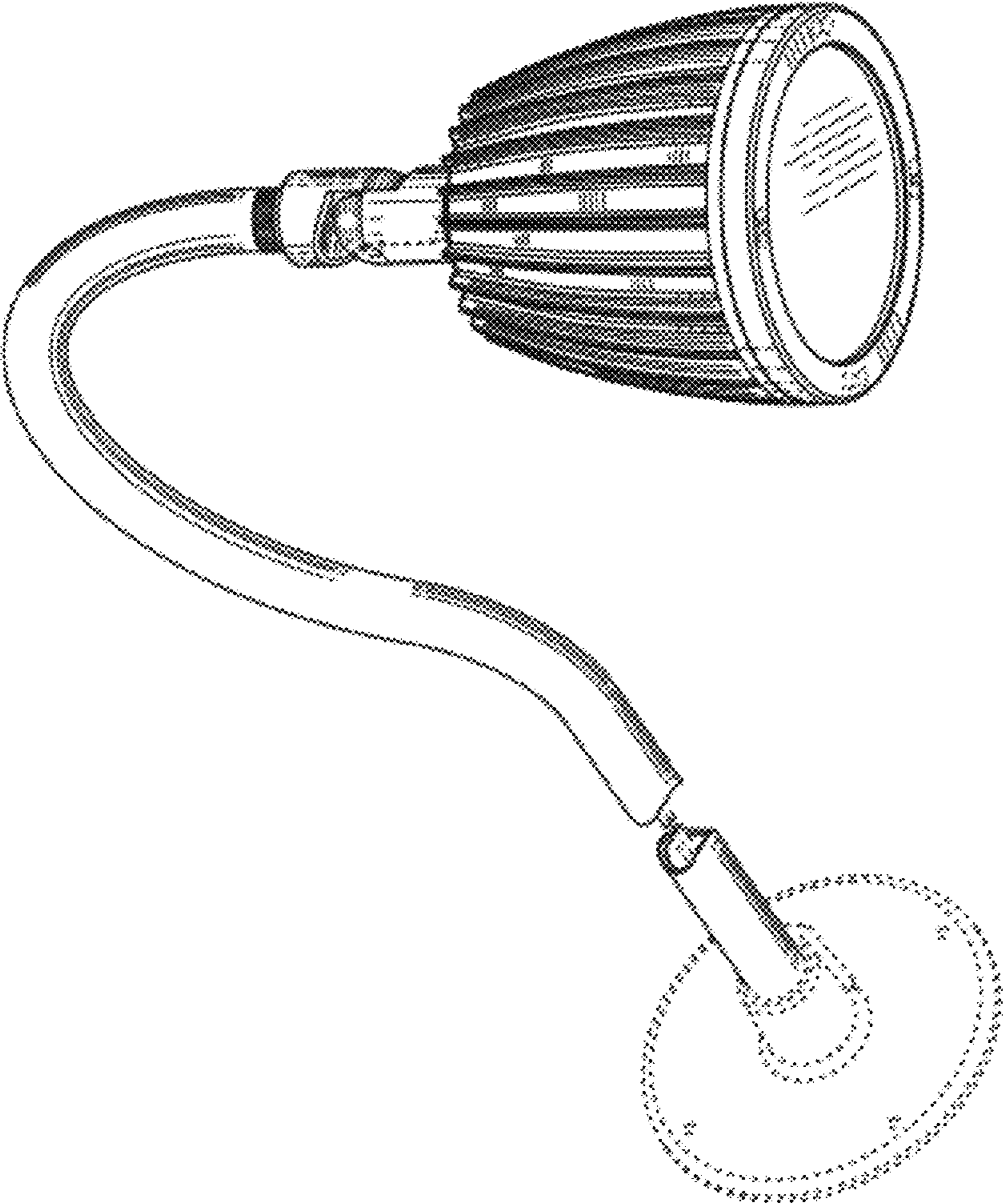


Fig. 8

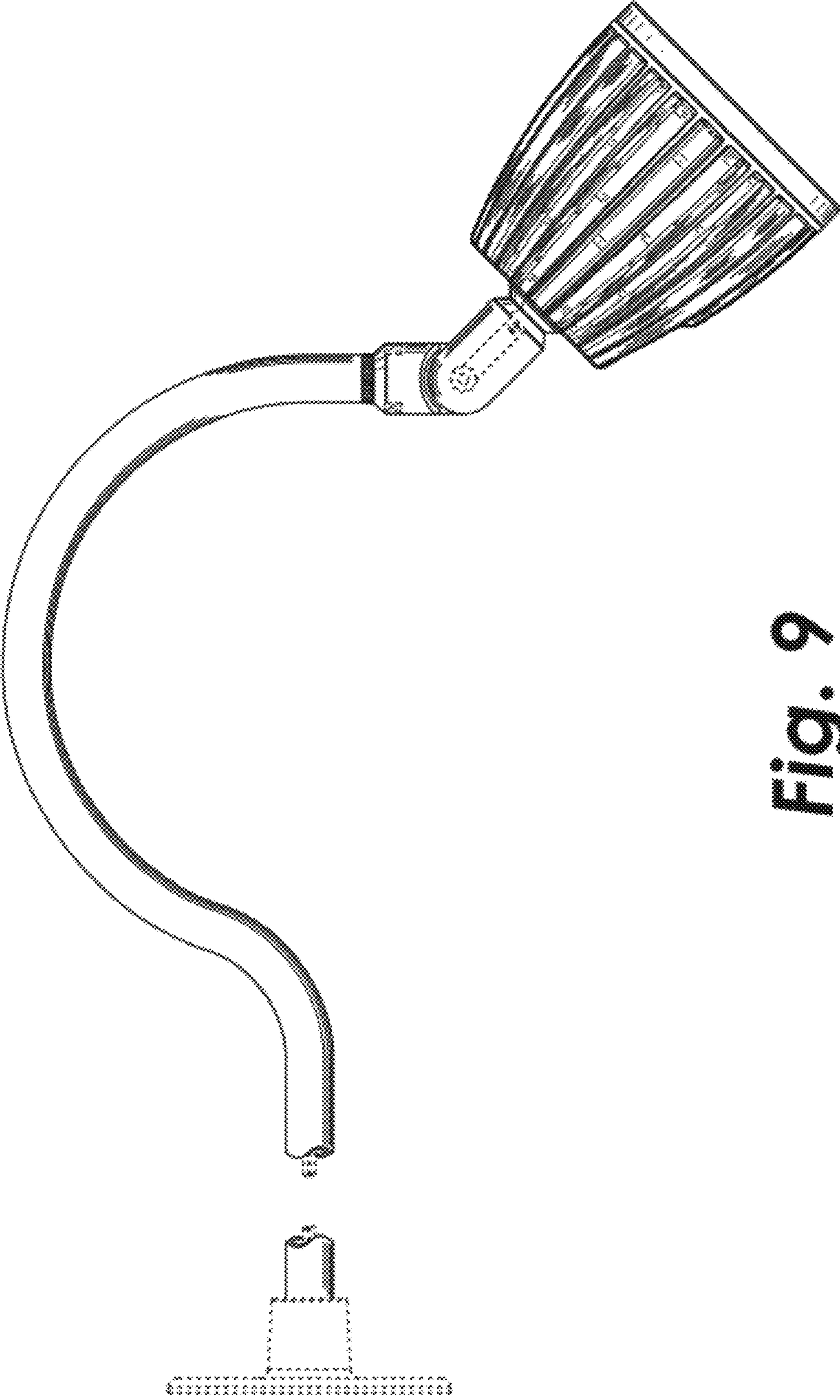


Fig. 9

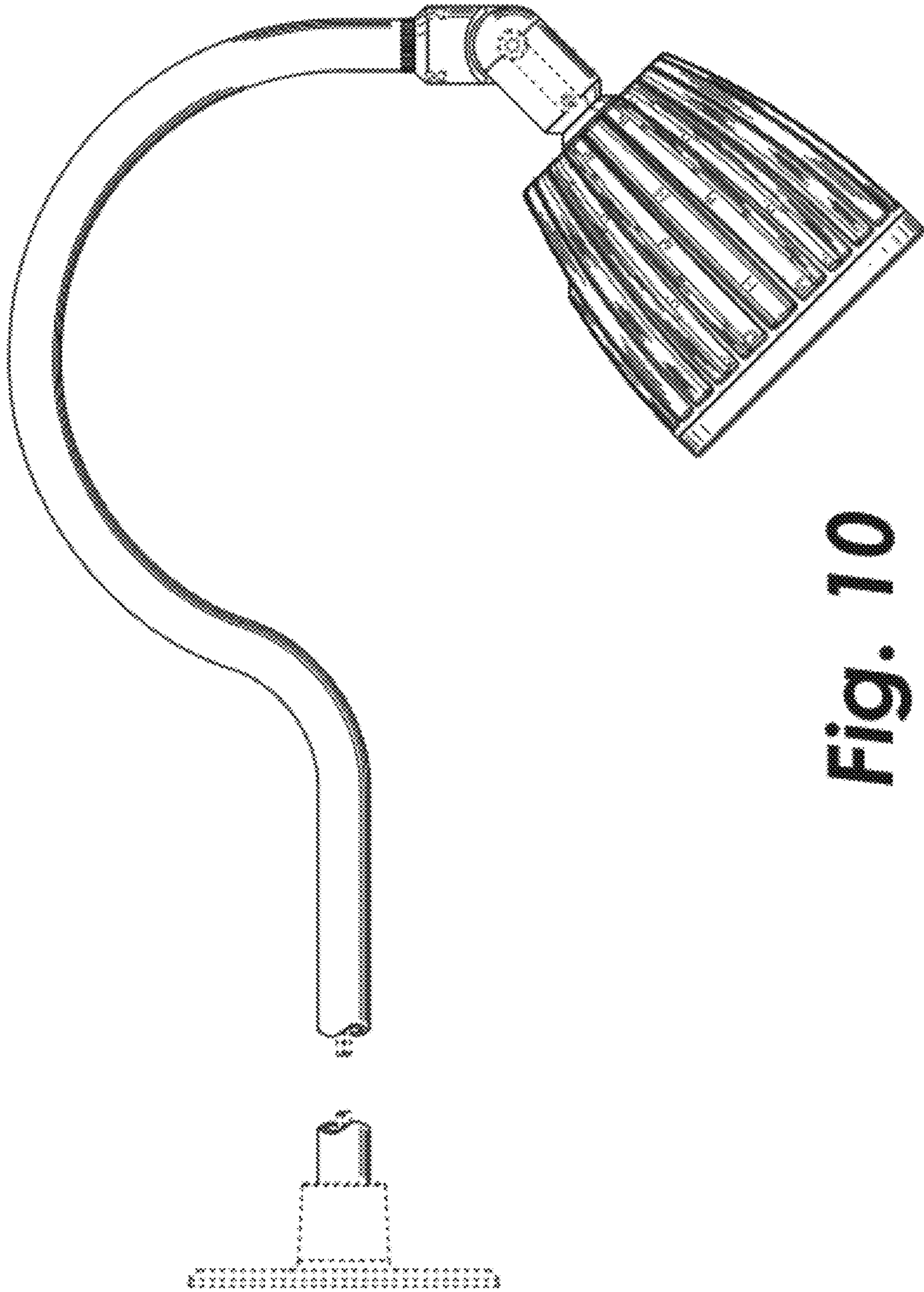


Fig. 10