



US00D664693S

(12) **United States Design Patent**
Yeh

(10) **Patent No.:** **US D664,693 S**
(45) **Date of Patent:** **** Jul. 31, 2012**

(54) **FLASHLIGHT**

(75) Inventor: **Hsueh-Chu Yeh**, Tainan (TW)

(73) Assignee: **Day Sun Industrial Corp.**, Tainan (TW)

(**) Term: **14 Years**

(21) Appl. No.: **29/407,292**

(22) Filed: **Nov. 28, 2011**

(51) **LOC (9) Cl.** **26-02**

(52) **U.S. Cl.** **D26/46**

(58) **Field of Classification Search** D26/37,
D26/38, 49, 46; 362/157, 158, 184, 194-196,
362/202-208

See application file for complete search history.

(56) **References Cited**

U.S. PATENT DOCUMENTS

D297,770 S *	9/1988	Garrity, Sr.	D26/49
D385,984 S *	11/1997	Wan	D26/38
D428,505 S *	7/2000	Man	D26/49
D452,025 S *	12/2001	Poon	D26/49
D481,816 S *	11/2003	Sharrah et al.	D26/49
D504,971 S *	5/2005	Dalton et al.	D26/49
D510,150 S *	9/2005	Shiu	D26/49
D563,008 S *	2/2008	Garrity et al.	D26/49
D601,284 S *	9/2009	Schonenbach	D26/46

D641,509 S *	7/2011	Wang	D26/46
D641,510 S *	7/2011	Wang	D26/46
D641,512 S *	7/2011	Wang	D26/46
D644,365 S *	8/2011	Yuen	D26/49
D650,503 S *	12/2011	Wang	D26/46

* cited by examiner

Primary Examiner — Ian Simmons

Assistant Examiner — Carissa C Fitts

(74) *Attorney, Agent, or Firm* — Alan Kamrath; Kamrath IP Lawfirm, PA

(57) **CLAIM**

The ornamental design for a flashlight, as shown and described.

DESCRIPTION

FIG. 1 is a perspective view of a flashlight showing my new design;

FIG. 2 is a front side elevational view thereof;

FIG. 3 is a rear side elevational view thereof;

FIG. 4 is a left side elevational view thereof;

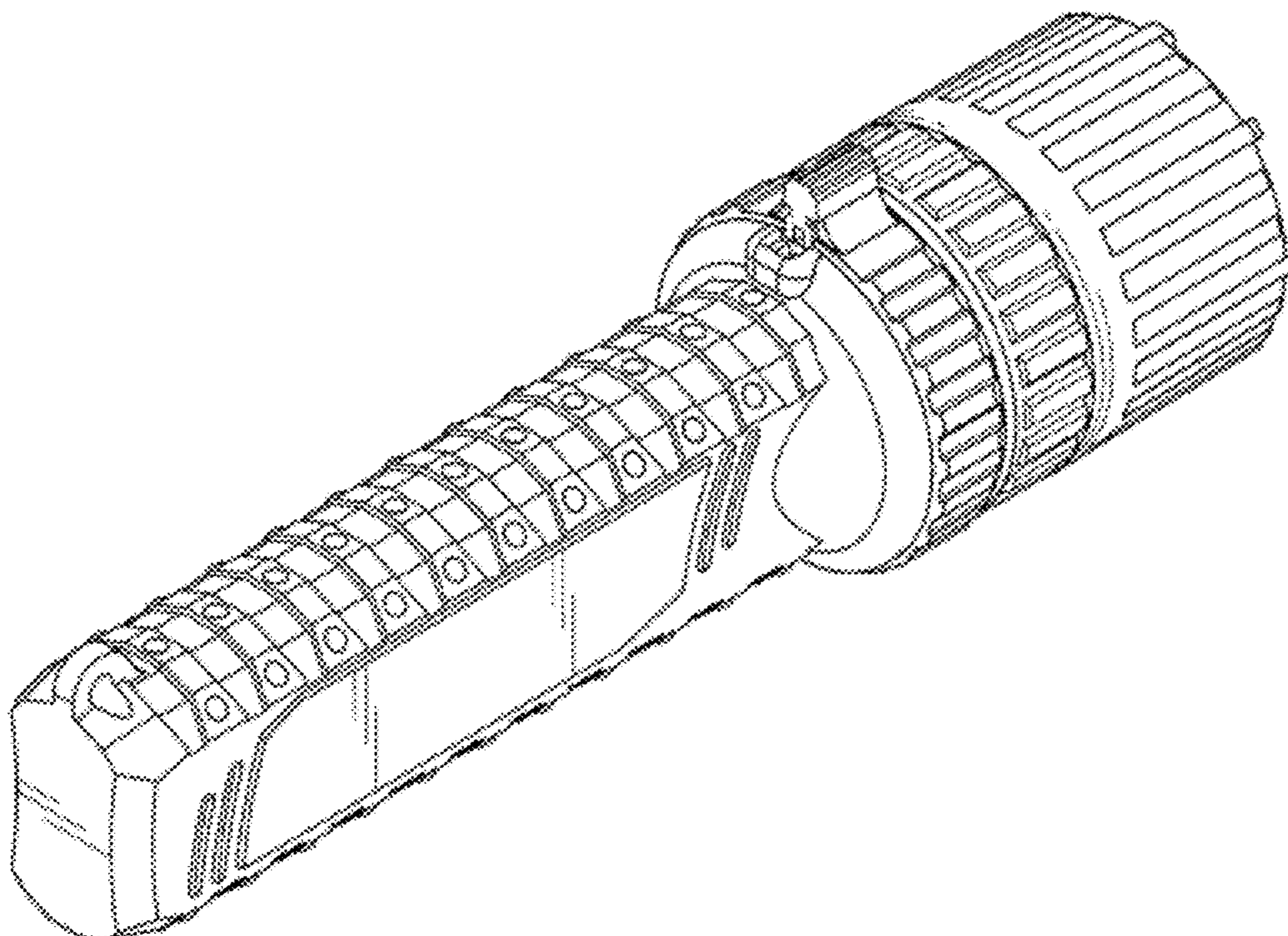
FIG. 5 is a right side elevational view thereof;

FIG. 6 is a top plan view thereof; and,

FIG. 7 is a bottom plan view thereof.

The broken line showing is for environmental purposes only and form no part of the claimed design.

1 Claim, 6 Drawing Sheets



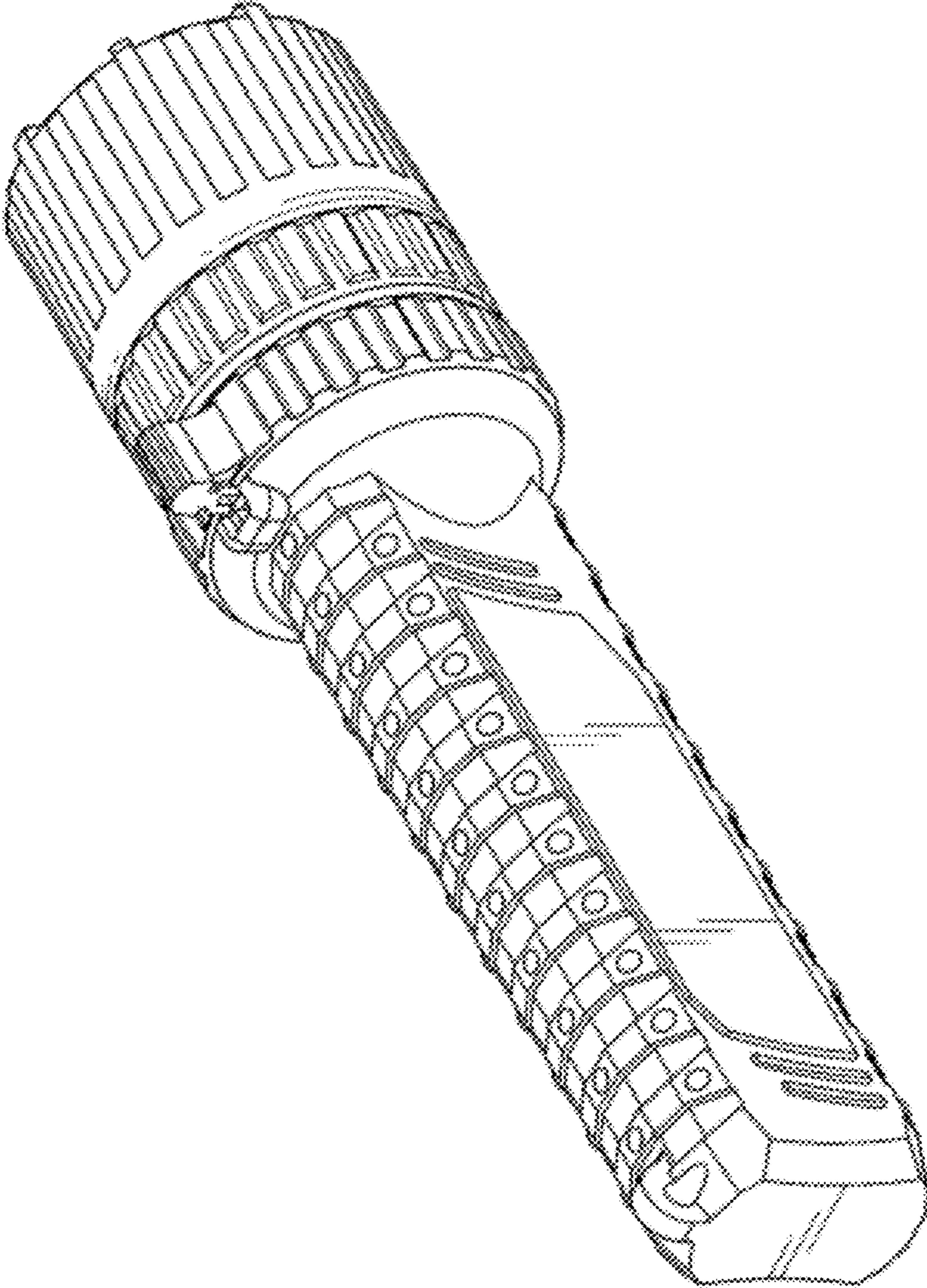


FIG. 1

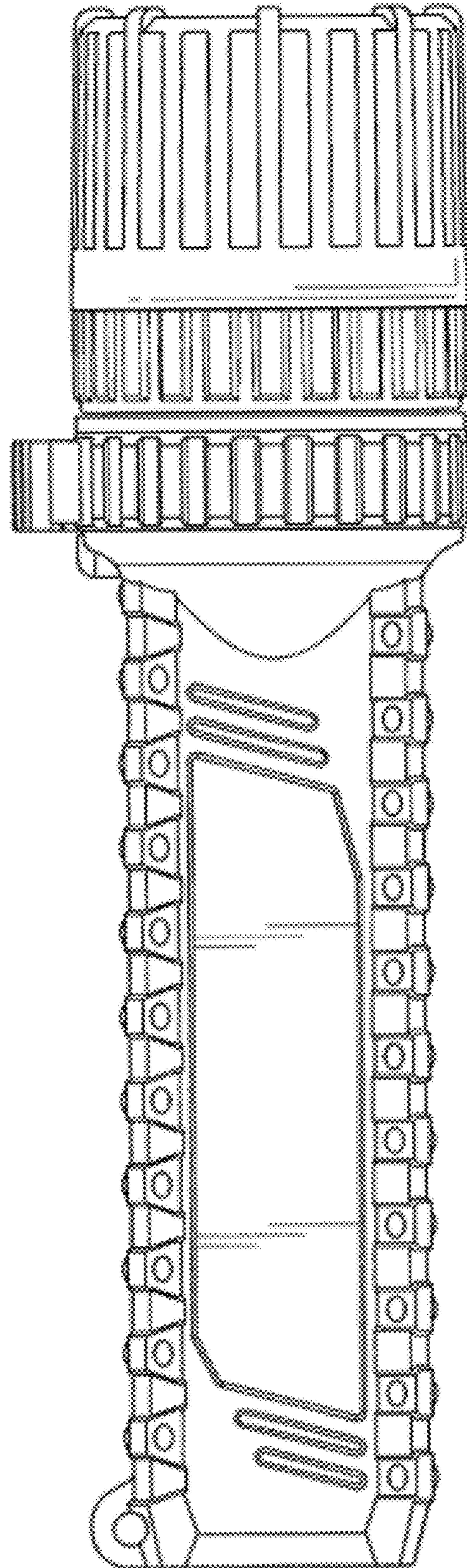


FIG. 2

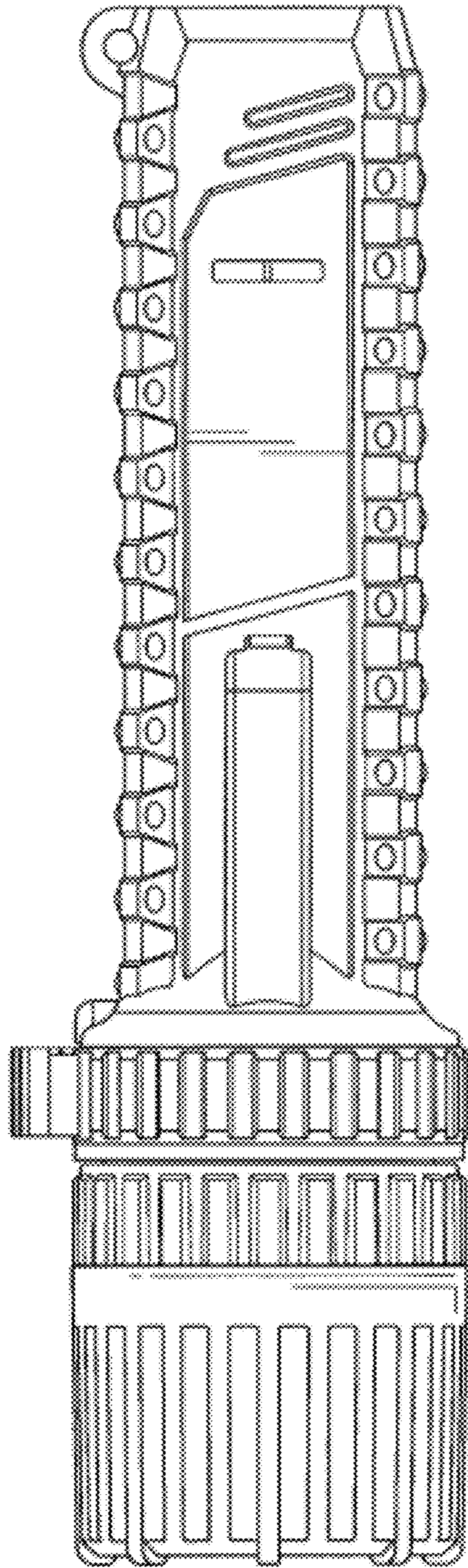


FIG. 3

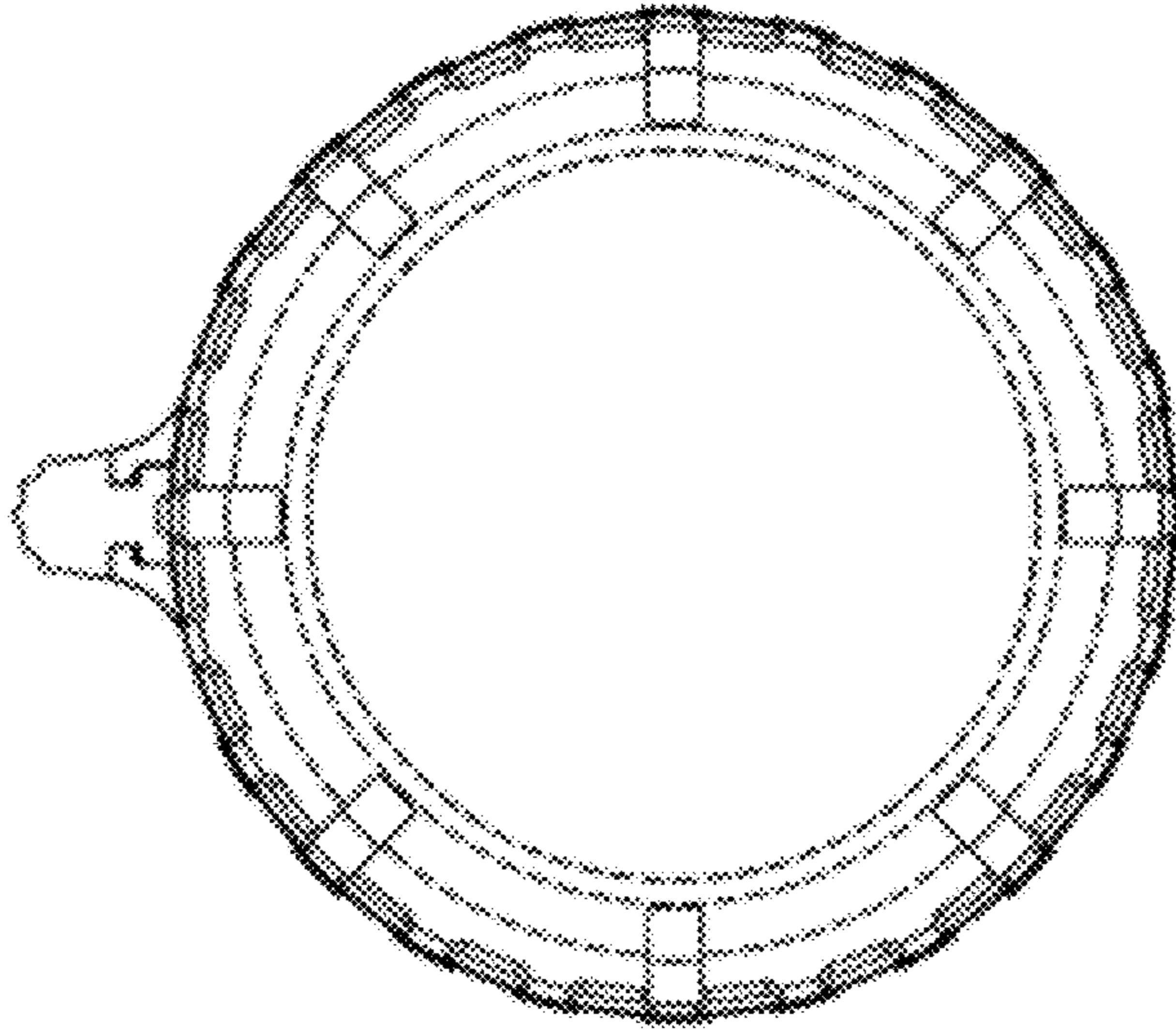


FIG. 5

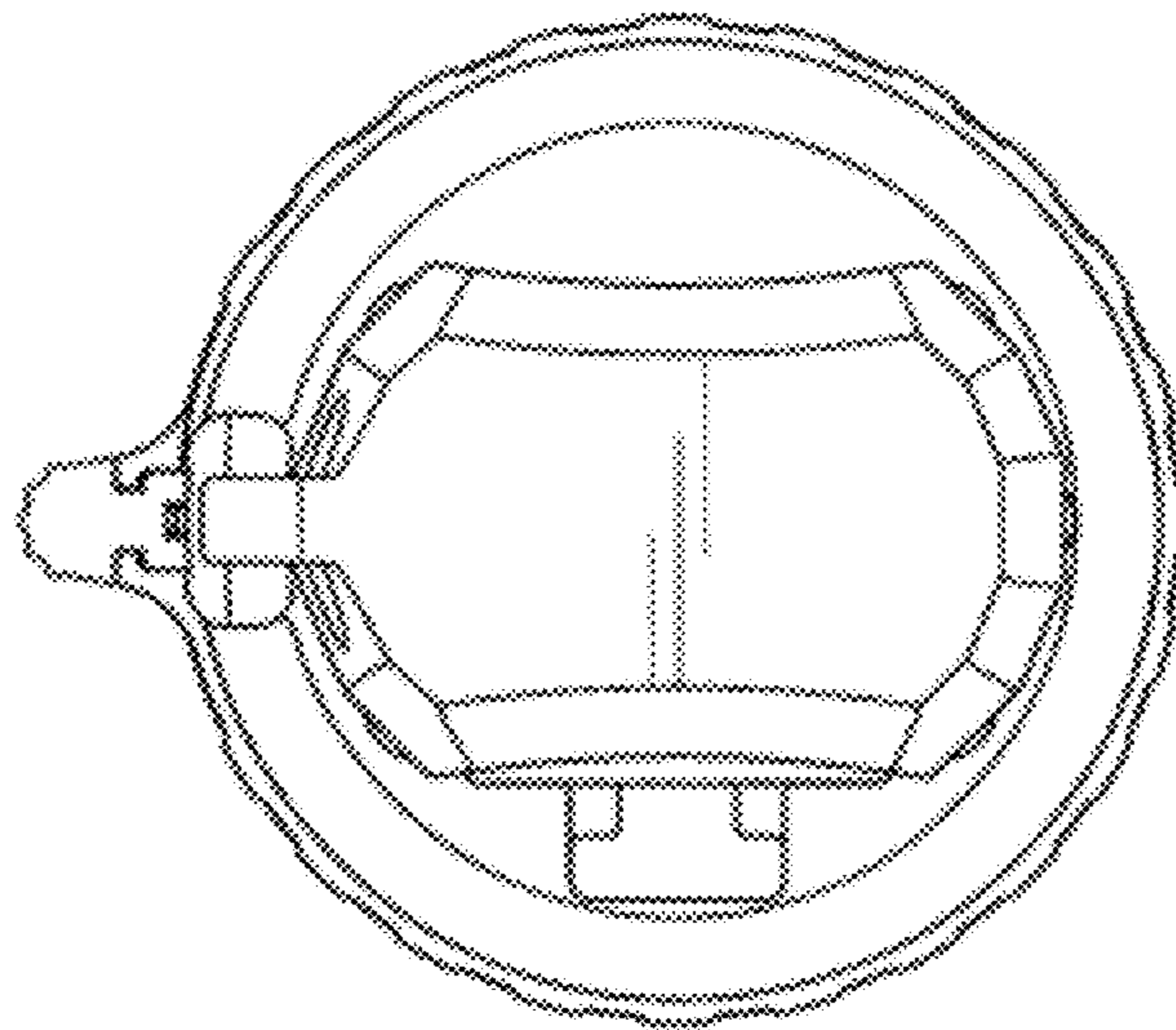


FIG. 4

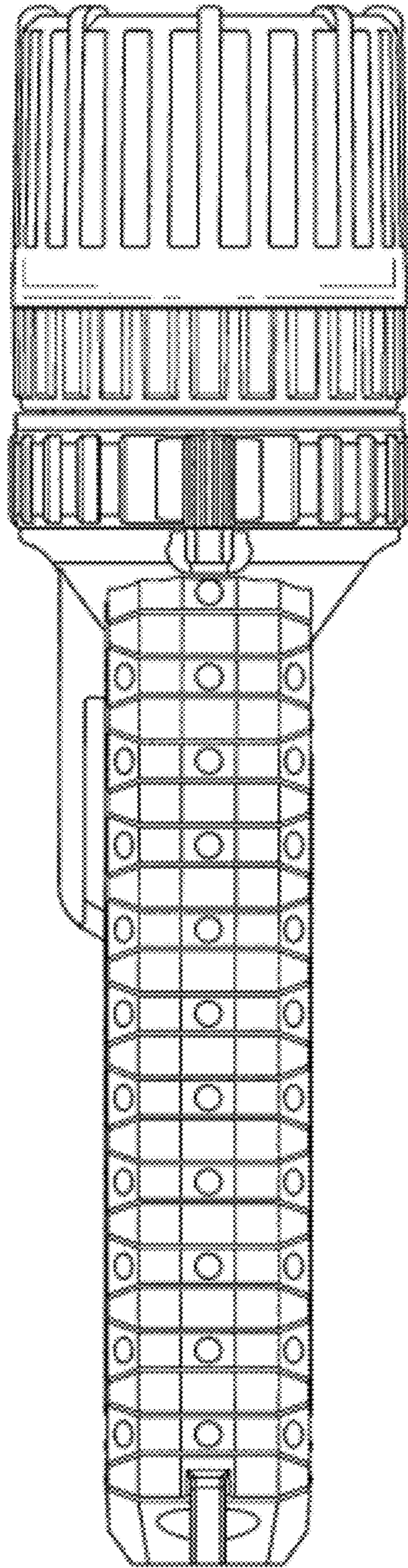


FIG. 6

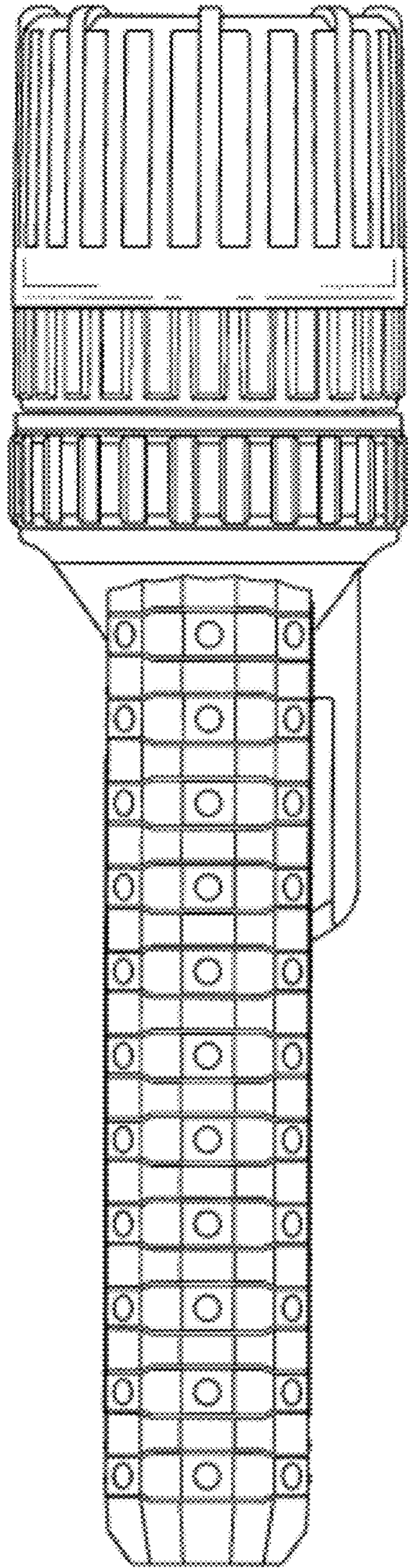


FIG. 7