

US00D664692S

(12) **United States Design Patent**
Opolka

(10) **Patent No.:** **US D664,692 S**
(45) **Date of Patent:** **** Jul. 31, 2012**

(54) **PROTECTIVE COVER FOR LED FLASHLIGHT**

(75) Inventor: **Rainer Opolka**, Solingen (DE)

(73) Assignee: **Zweibrueder Optoelectronics GmbH**, Solingen (DE)

(**) Term: **14 Years**

(21) Appl. No.: **29/366,714**

(22) Filed: **Jul. 29, 2010**

(30) **Foreign Application Priority Data**

Mar. 1, 2010 (EM) 001676032-0001

(51) **LOC (9) Cl.** **26-02**

(52) **U.S. Cl.** **D26/37; D3/215**

(58) **Field of Classification Search** D26/37, D26/38, 46, 49, 50, 48; 362/157, 158, 183, 362/194-199, 202-208; D3/209, 201, 229, D3/215; 206/811, 269, 270; 220/324, 335, 220/337, 334

See application file for complete search history.

(56) **References Cited**

U.S. PATENT DOCUMENTS

D403,090 S * 12/1998 King et al. D26/37
D409,374 S * 5/1999 Laba et al. D3/215

D449,704 S * 10/2001 Zhong D26/49
D590,971 S * 4/2009 Spartano et al. D26/44
D593,694 S * 6/2009 Bent D26/37
D597,690 S * 8/2009 Yamamoto D26/37
D606,689 S * 12/2009 Bent D26/48
D620,162 S * 7/2010 Liu D26/49
D625,865 S * 10/2010 Poon D26/48
7,850,330 B2 * 12/2010 Spartano et al. 362/194
2005/0052862 A1 * 3/2005 Bruwer et al. 362/157
2011/0075407 A1 * 3/2011 Spartano et al. 362/194

* cited by examiner

Primary Examiner — Ian Simmons

Assistant Examiner — Carissa C Fitts

(74) *Attorney, Agent, or Firm* — Andrew Wilford

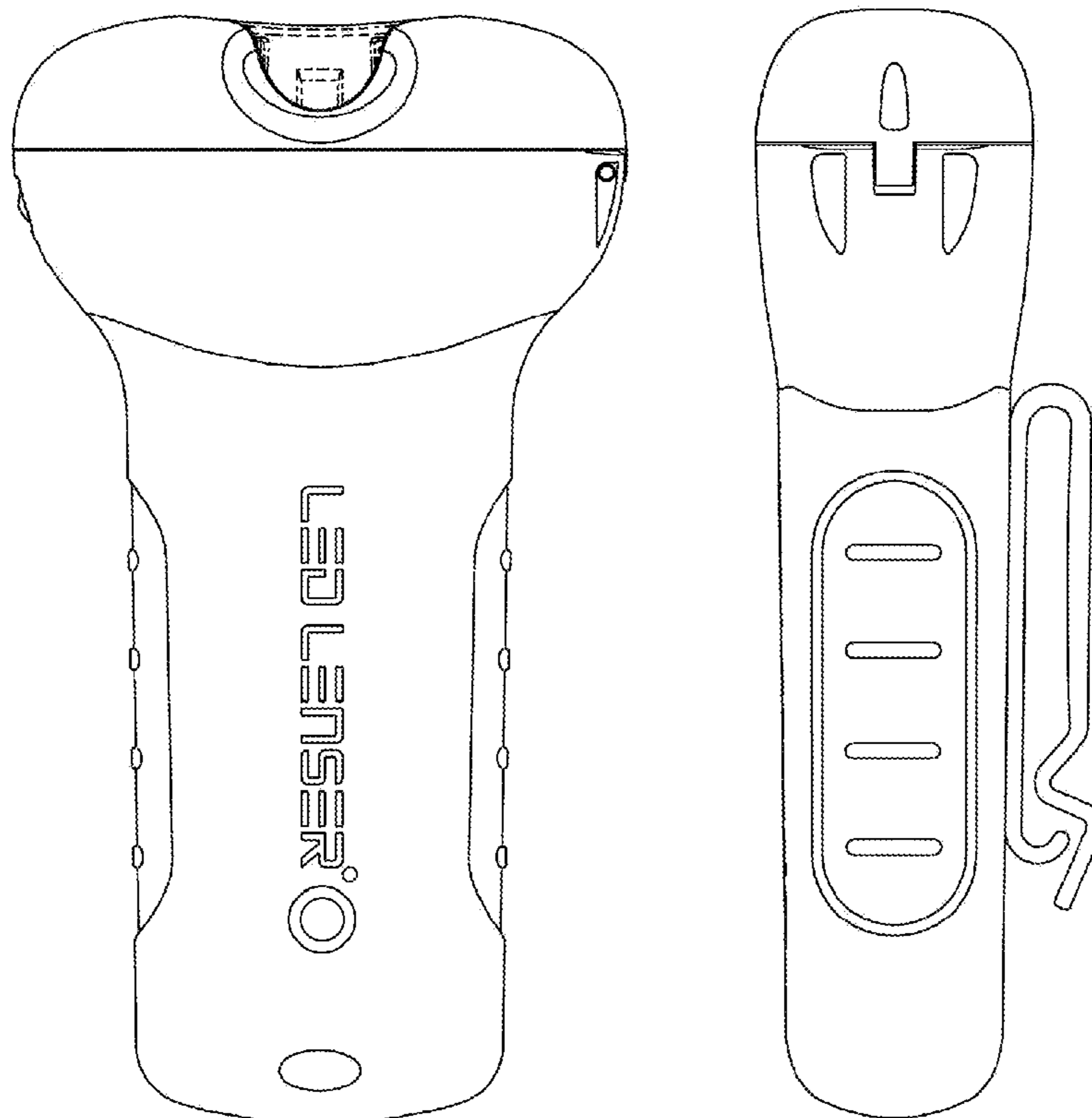
(57) **CLAIM**

The ornamental design for a protective cover for LED flashlight, shown and described.

DESCRIPTION

FIG. 1 is a front elevational view of the invention; FIG. 2 is a rear elevational view of the invention; FIG. 3 is a right-side elevational view of the invention; FIG. 4 is a left-side elevational view of the invention; FIG. 5 is a top view of the invention; and, FIG. 6 is a bottom view of the invention. The broken line showing in FIG. 1 is for unclaimed structure only and forms no part of the claimed design.

1 Claim, 4 Drawing Sheets



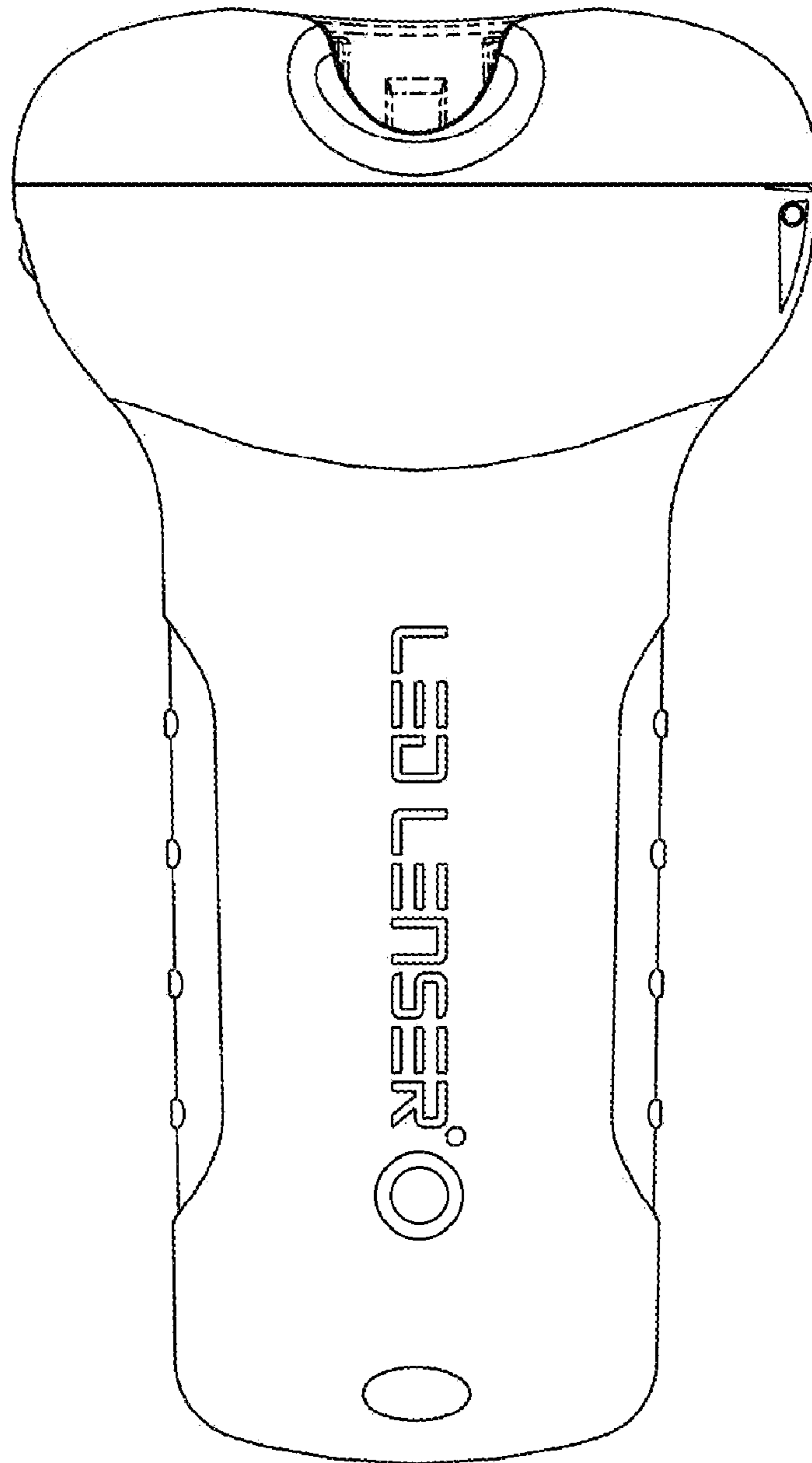


Fig. 1

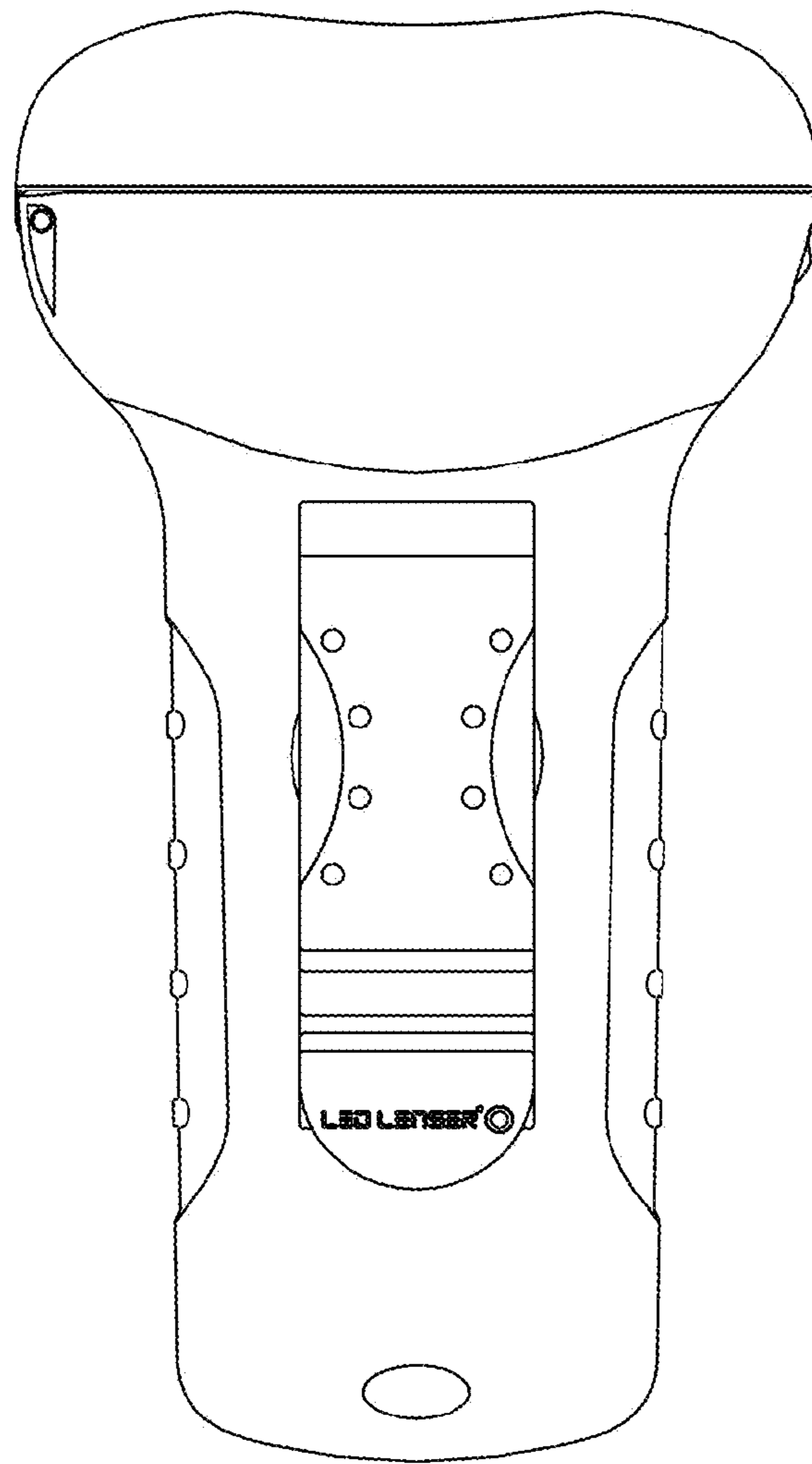


Fig. 2

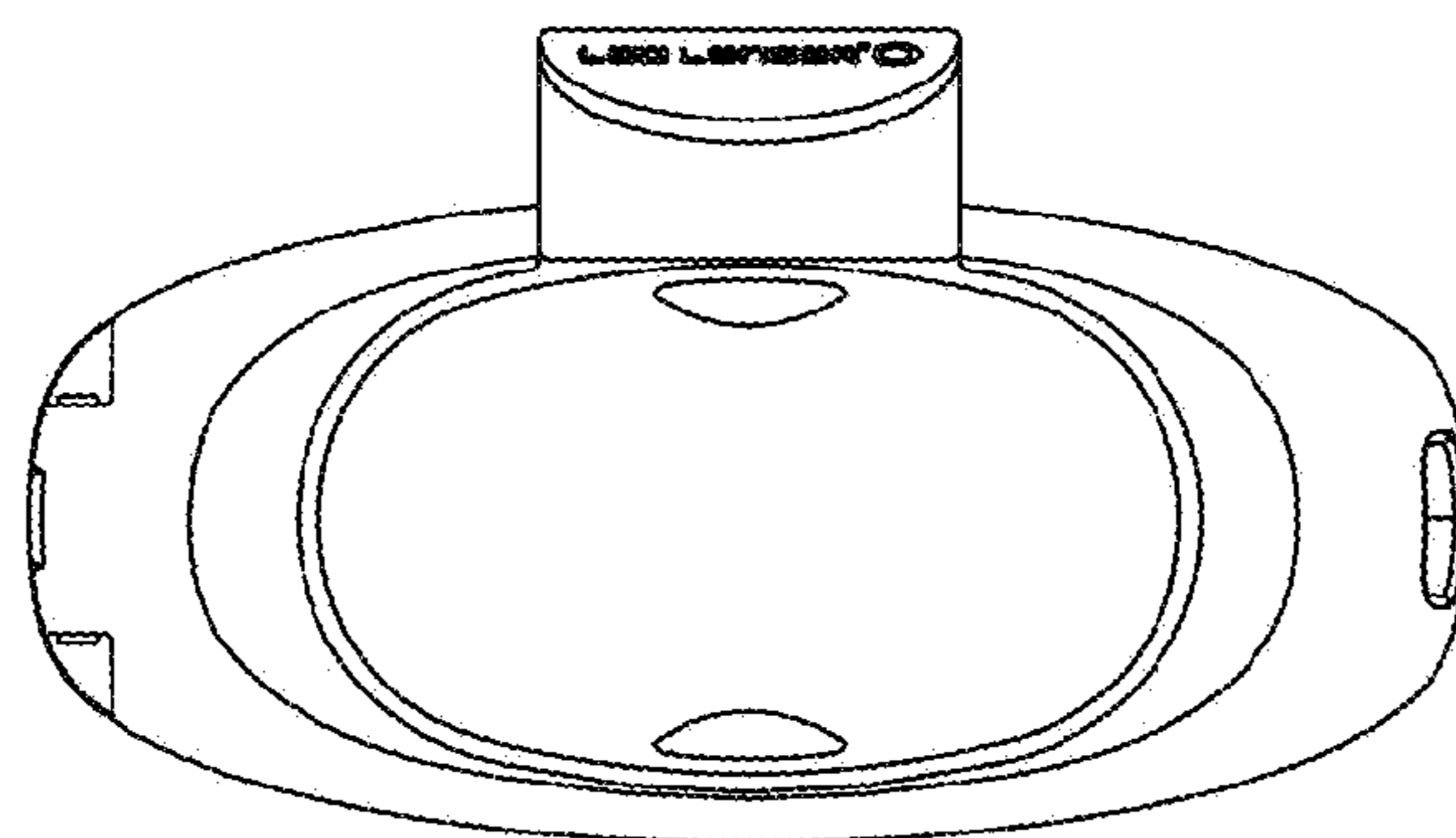


Fig. 5

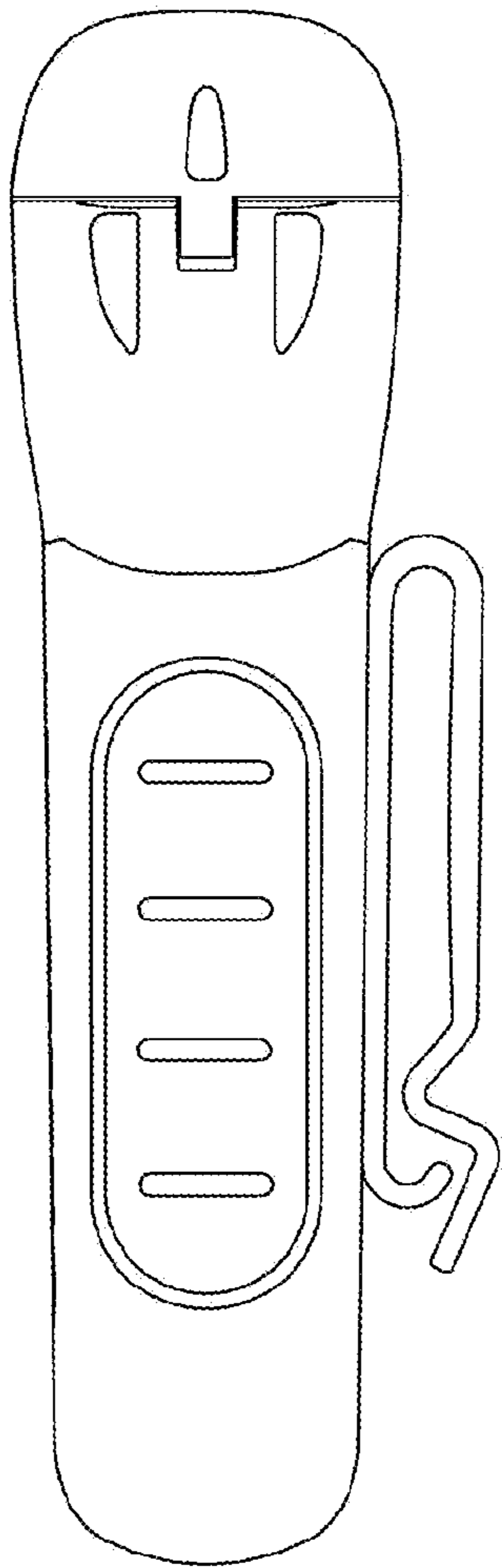


Fig. 3

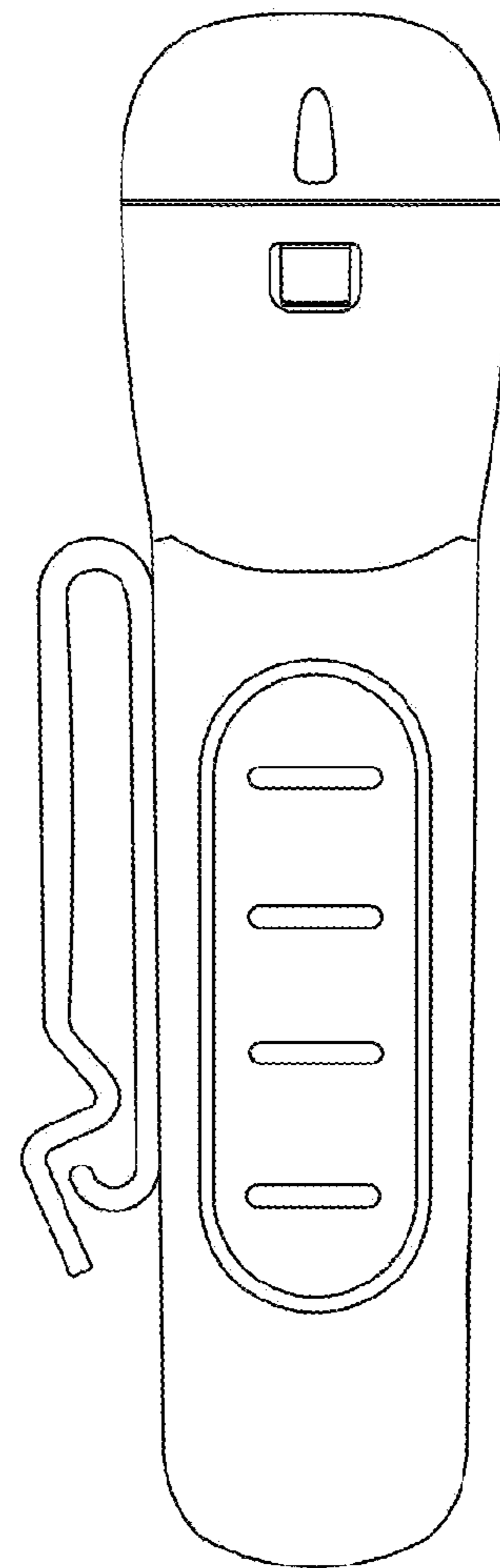


Fig. 4

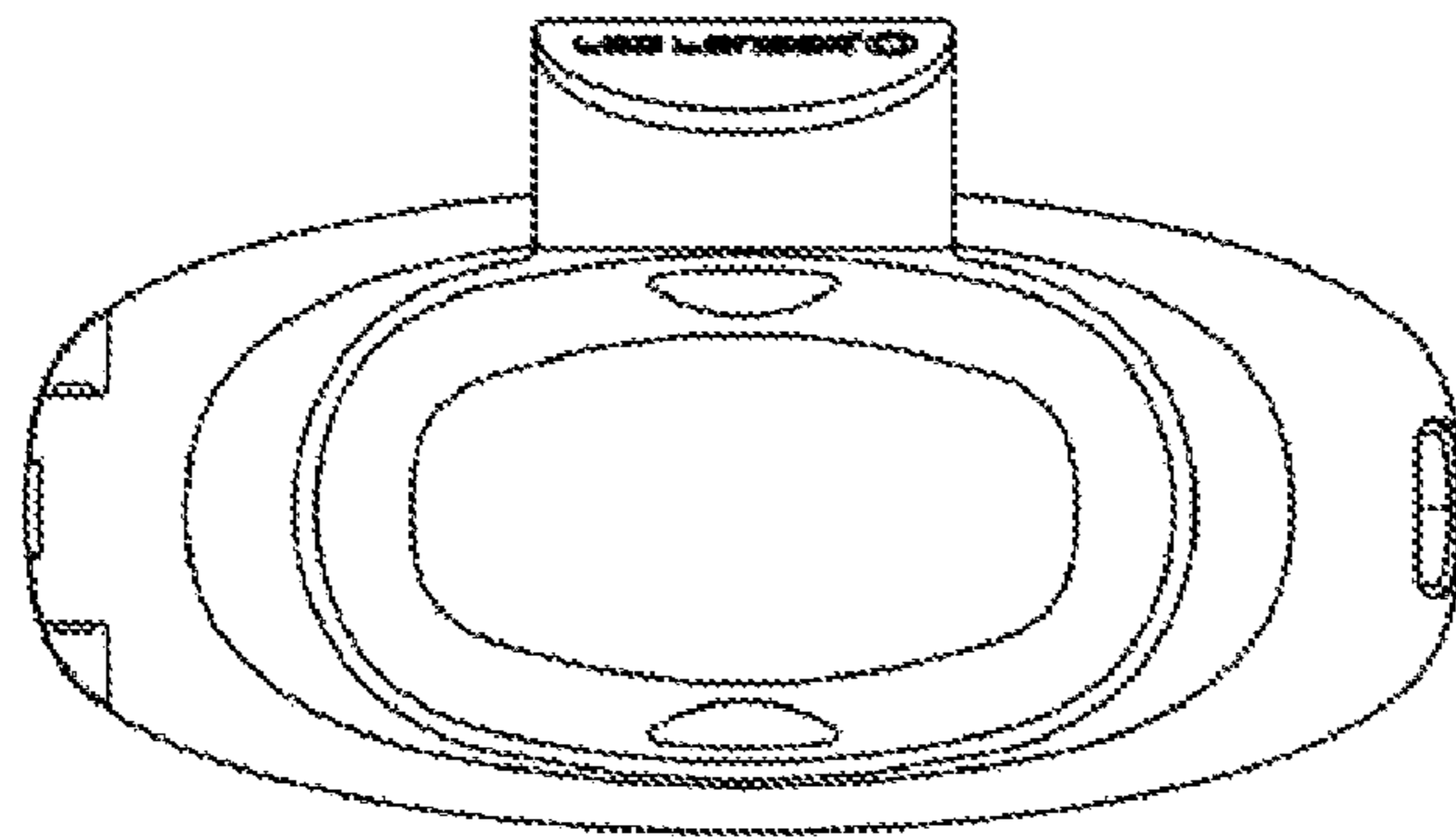


Fig. 6