



US00D664686S

(12) **United States Design Patent**
Nelkin et al.

(10) **Patent No.:** **US D664,686 S**

(45) **Date of Patent:** **** Jul. 31, 2012**

(54) **LAMP**

(75) Inventors: **Allan R. Nelkin**, Atlanta, GA (US);
David R. Nelkin, Atlanta, GA (US)

(73) Assignee: **ARN Industries, Inc.**, Norcross, GA (US)

(**) Term: **14 Years**

(21) Appl. No.: **29/404,322**

(22) Filed: **Oct. 19, 2011**

(51) **LOC (9) Cl.** **26-04**

(52) **U.S. Cl.** **D26/2**

(58) **Field of Classification Search** D26/1-4;
313/313, 315, 316, 317, 318, 493; 315/52,
315/53, 56, 57, 58; 362/459-468, 475-478,
362/485-487

See application file for complete search history.

(56) **References Cited**

U.S. PATENT DOCUMENTS

6,367,949	B1	4/2002	Pederson	
D566,300	S *	4/2008	Lo	D26/2
D601,279	S *	9/2009	Ou et al.	D26/2
D604,434	S *	11/2009	Wada et al.	D26/2
D607,586	S *	1/2010	Ko	D26/2
D610,271	S *	2/2010	Bi	D26/2
D610,274	S *	2/2010	Cho	D26/2
D610,722	S *	2/2010	Bi	D26/2
D623,777	S *	9/2010	Moon et al.	D26/2
D645,182	S	9/2011	Li	
D645,582	S *	9/2011	Kim et al.	D26/2

D647,223	S *	10/2011	Katsaros	D26/2
D652,156	S *	1/2012	Li et al.	D26/2
2006/0274529	A1	12/2006	Cao	

OTHER PUBLICATIONS

Nalco PAR36 Spec Sheet; 2010; 2 pgs.
EC&M Product of the Year, Apr./May 2009, LED Lamp: p. 10; 2 pgs.

* cited by examiner

Primary Examiner — Marcus Jackson

(74) *Attorney, Agent, or Firm* — Gardner Groff Greenwald & Villanueva, PC

(57) **CLAIM**

The ornamental design for a lamp, substantially as shown and described.

DESCRIPTION

FIG. 1 is a first perspective view of a lamp according to the claimed design.

FIG. 2 is a second perspective view of the lamp of FIG. 1.

FIG. 3 is a first end view of the lamp of FIG. 1.

FIG. 4 is a second end view of the lamp of FIG. 1.

FIG. 5 is a first side view of the lamp of FIG. 1.

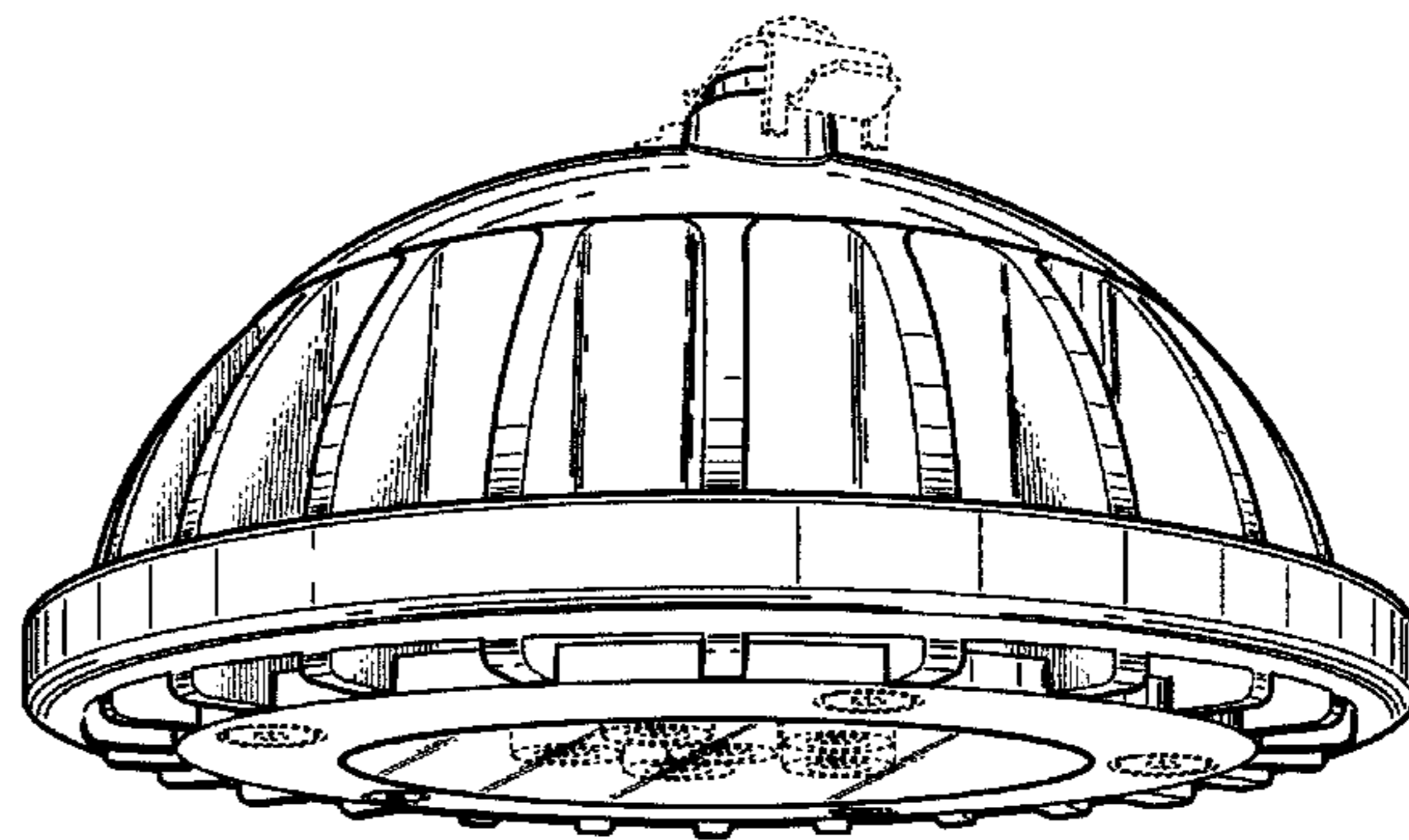
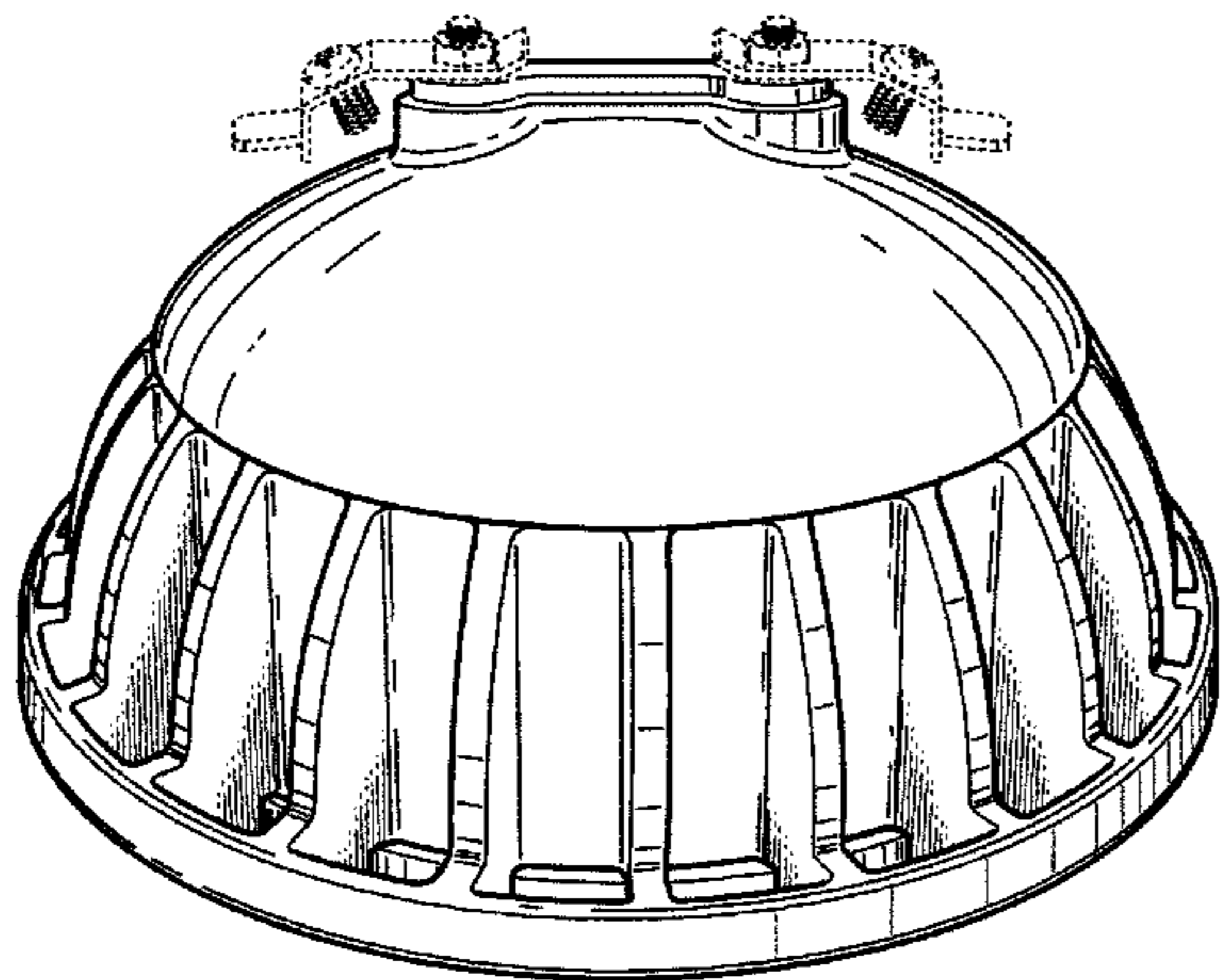
FIG. 6 is a second side view of the lamp of FIG. 1.

FIG. 7 is a back view of the lamp of FIG. 1; and,

FIG. 8 is a front view of the lamp of FIG. 1.

Portions shown in broken lines are for illustrative purposes only and form no part of the claimed design.

1 Claim, 6 Drawing Sheets



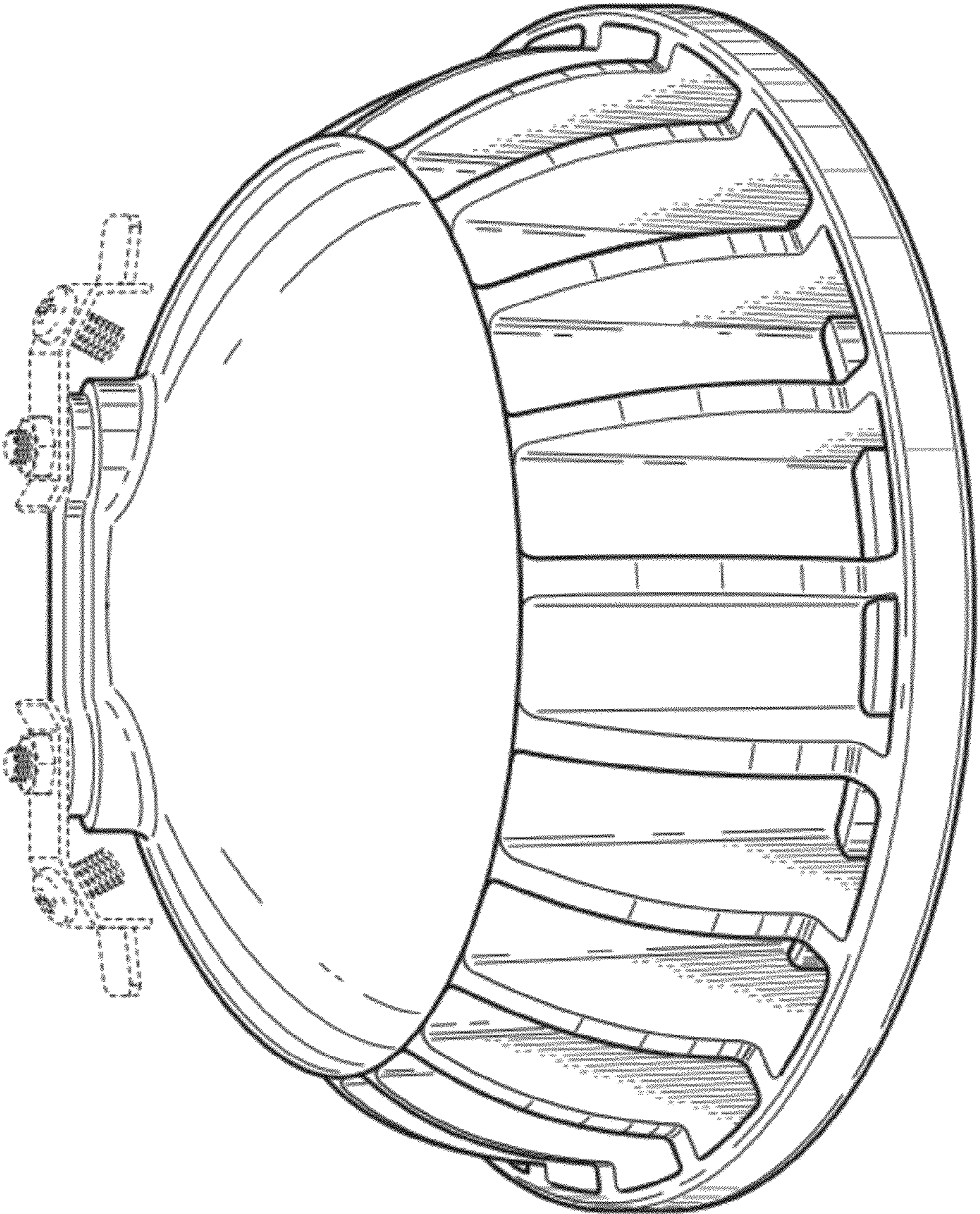


FIG. 1

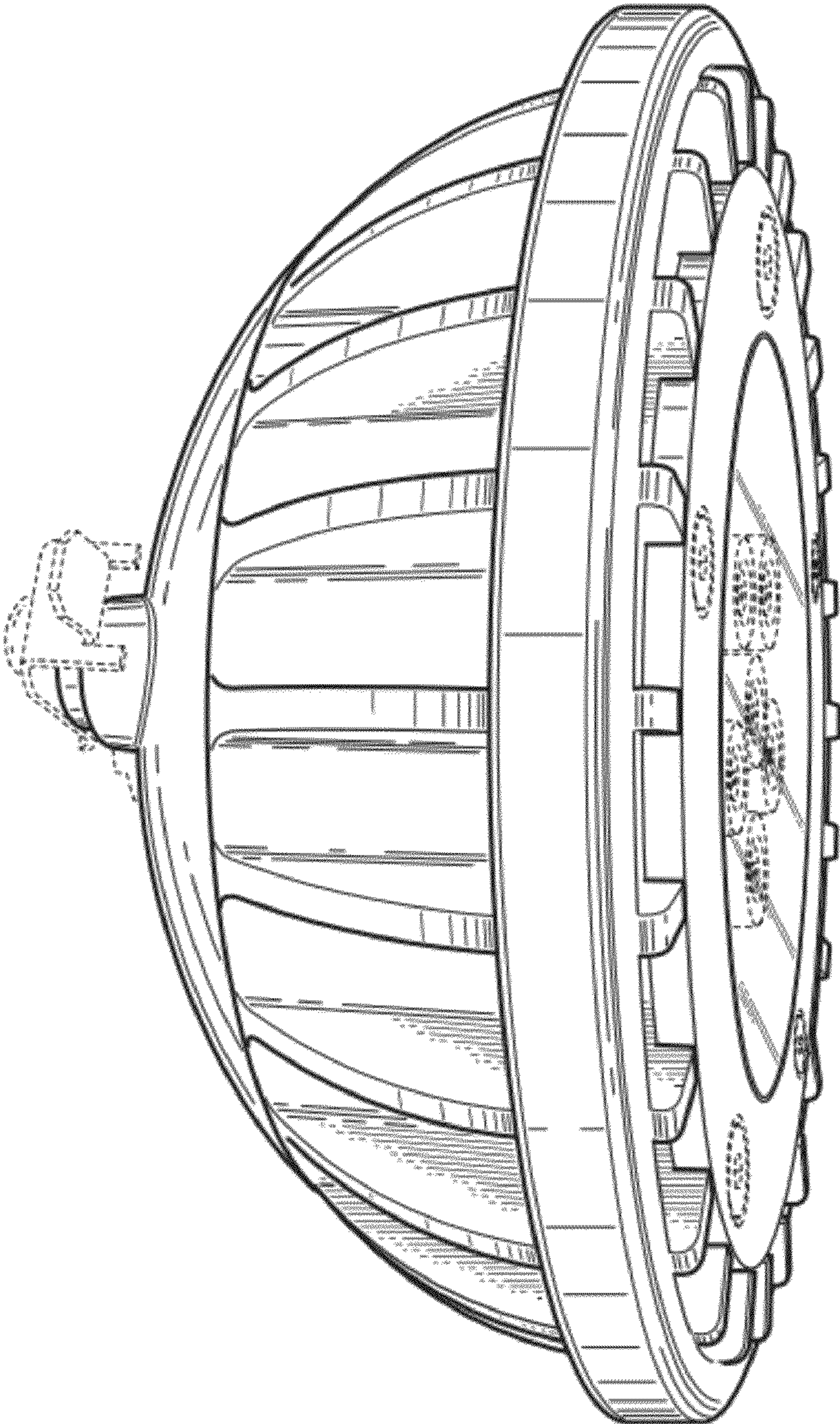


FIG. 2

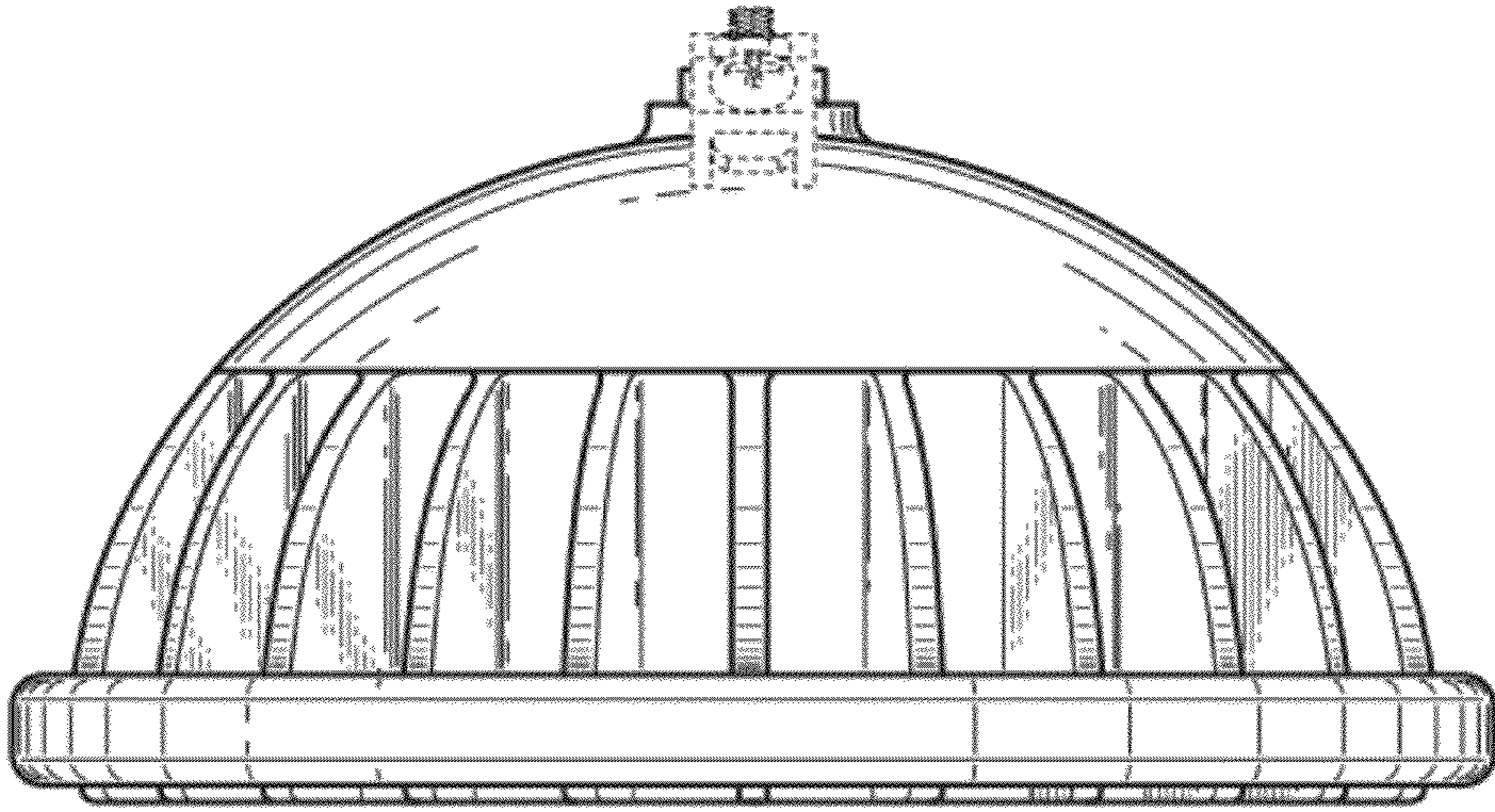


FIG. 3

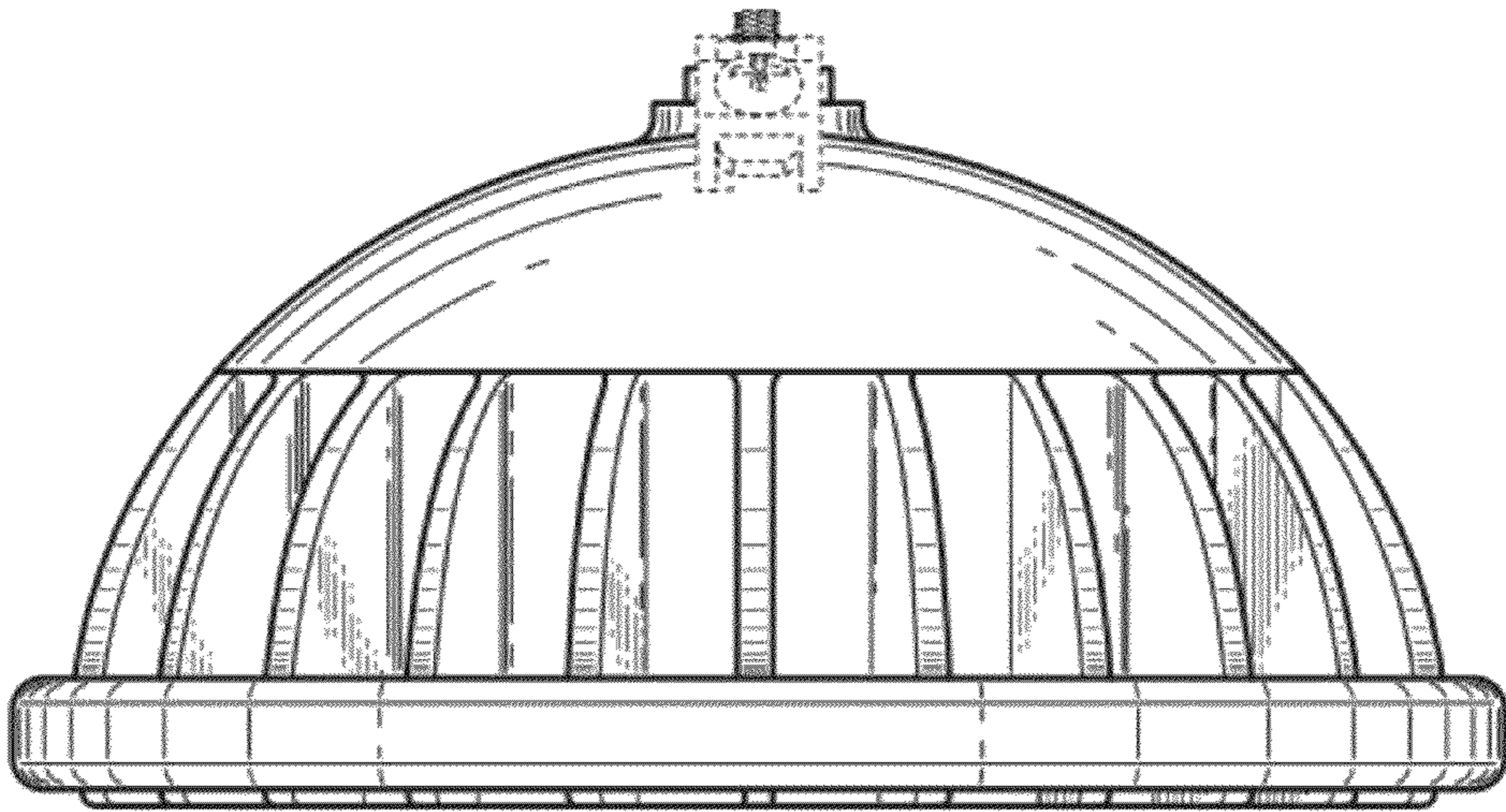


FIG. 4

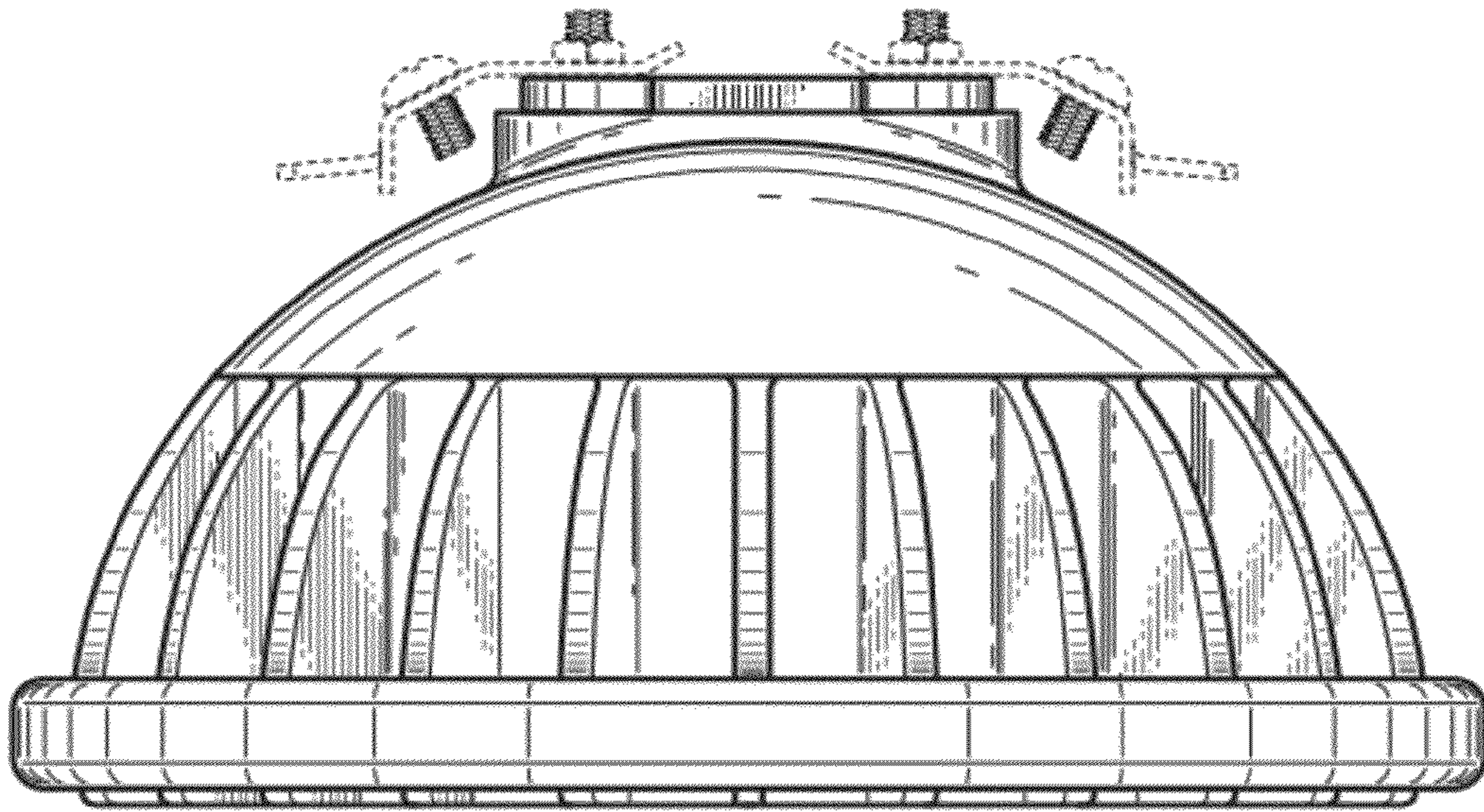


FIG. 5

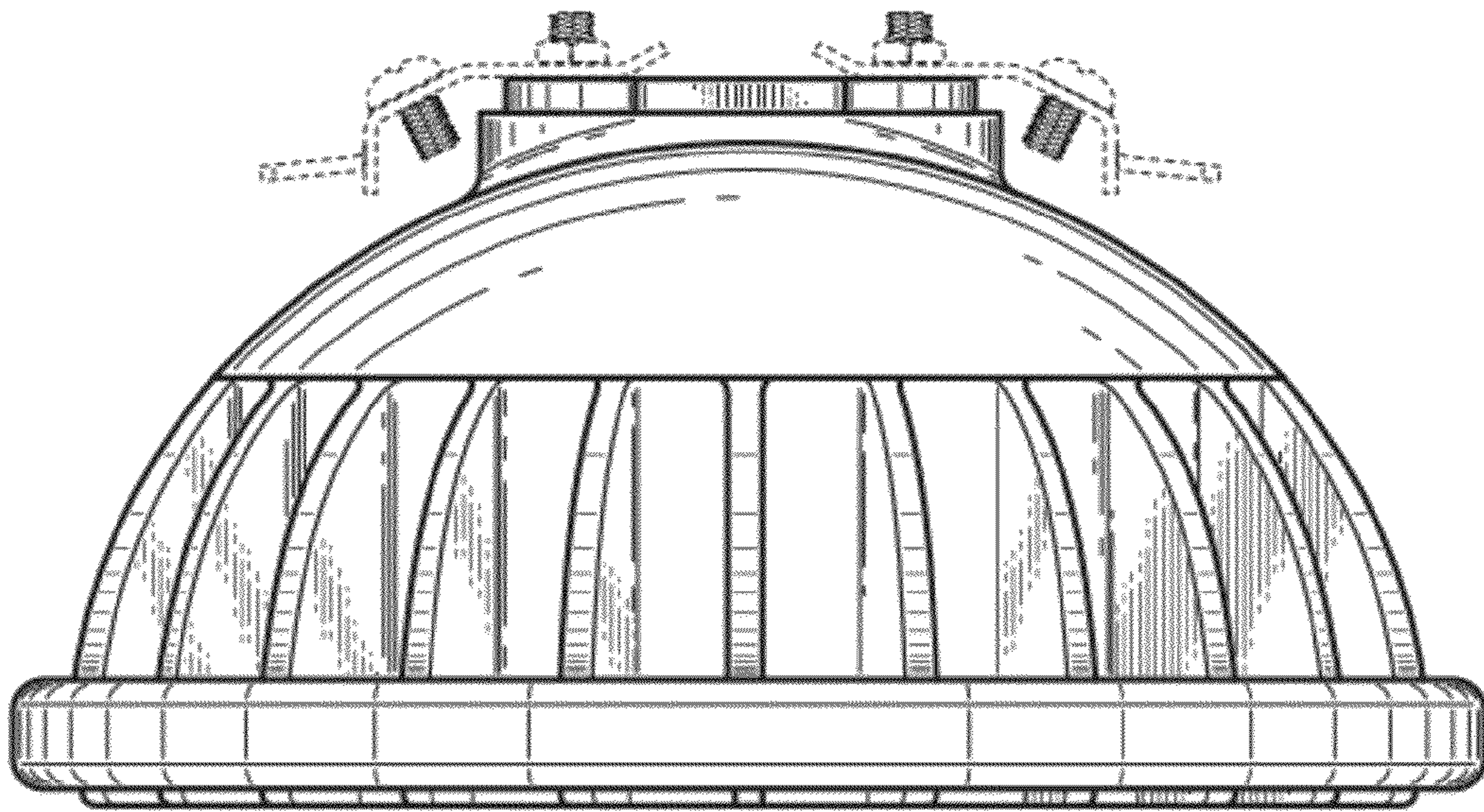


FIG. 6

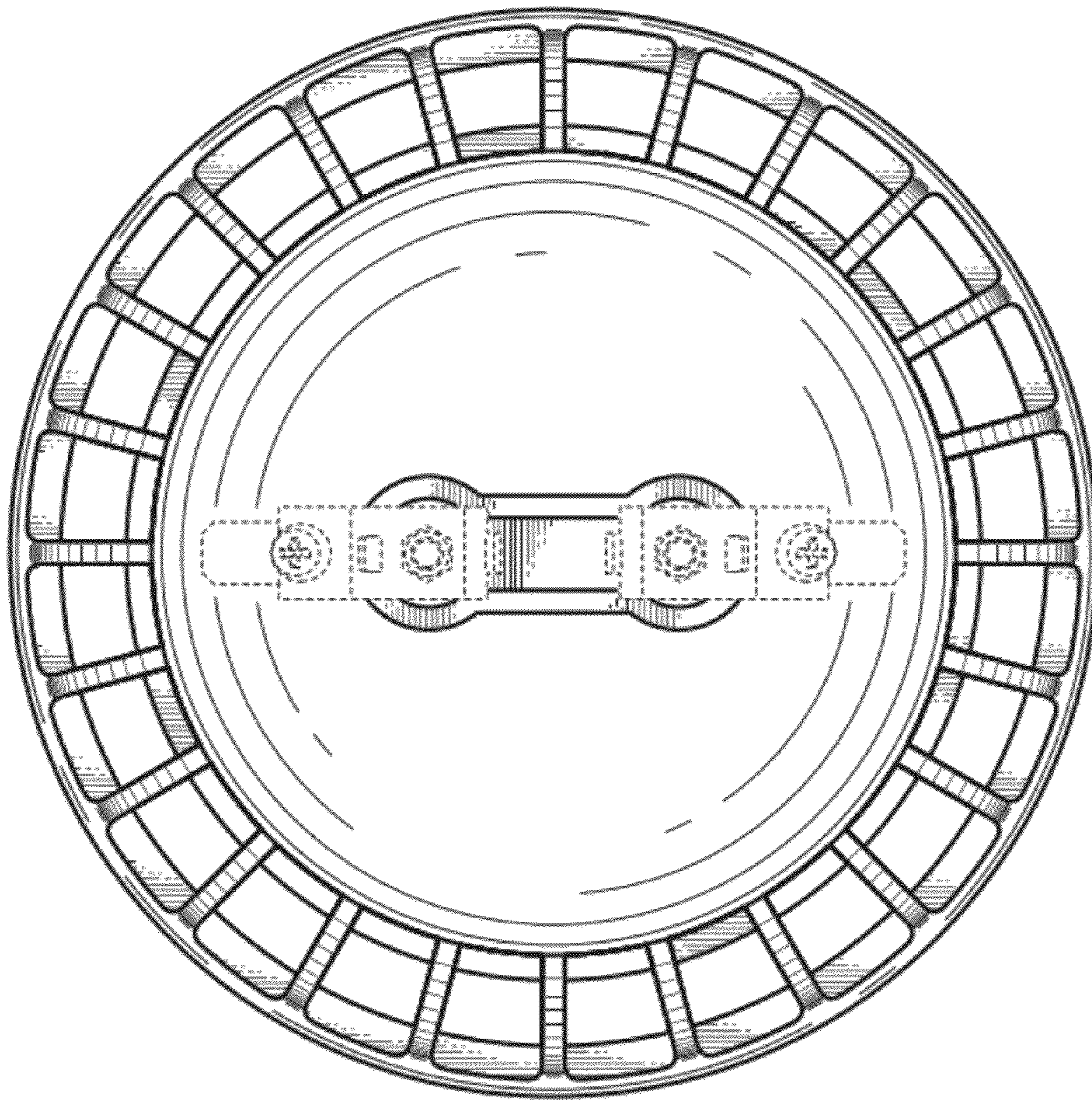


FIG. 7

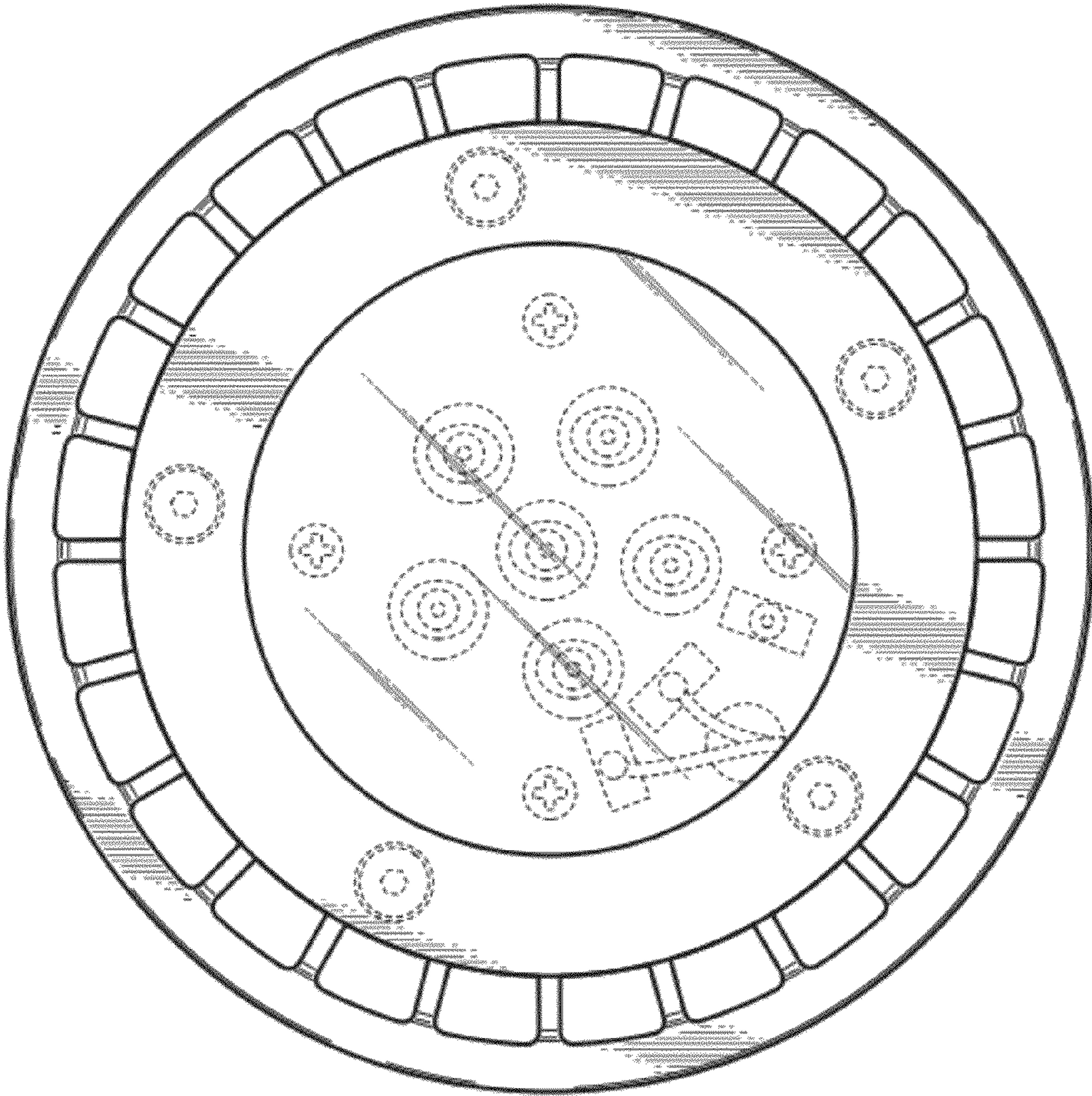


FIG. 8