

US00D664685S

(12) **United States Design Patent**
Carroll et al.

(10) **Patent No.:** **US D664,685 S**
(45) **Date of Patent:** **** Jul. 31, 2012**

- (54) **LED-BASED LIGHT BULB WITH POWER GROOVE**
- (75) Inventors: **David W. Carroll**, Grantsburg, WI (US);
Terry Travis, Nerstrand, MN (US);
Wendell Carroll, Minneapolis, MN (US)
- (73) Assignee: **Forever Bulb, LLC**, Grantsburg, WI (US)

7,259,030	B2	8/2007	Daniels et al.	
7,318,661	B2	1/2008	Catalano	
7,319,293	B2	1/2008	Maxik	
D581,066	S	11/2008	Van Dyn Hoven	
D601,278	S *	9/2009	Takahashi	D26/2
7,588,351	B2	9/2009	Meyer	
D617,915	S *	6/2010	Wada et al.	D26/2
7,726,836	B2	6/2010	Chen	
7,736,020	B2	6/2010	Baroky et al.	
D633,226	S *	2/2011	Katsaros	D26/2
D654,602	S *	2/2012	Carroll et al.	D26/2
2002/0021573	A1	2/2002	Zhang	
2002/0176253	A1	11/2002	Lee	

(**) Term: **14 Years**

(Continued)

(21) Appl. No.: **29/401,104**

FOREIGN PATENT DOCUMENTS

(22) Filed: **Sep. 7, 2011**

DE 102007056874 A1 5/2009

(51) **LOC (9) Cl.** **26-04**

(Continued)

(52) **U.S. Cl.** **D26/2**

(58) **Field of Classification Search** D26/1-4;
313/313, 315, 316, 317, 318, 493; 315/52,
315/53, 56, 57, 58

Primary Examiner — Marcus Jackson

(74) *Attorney, Agent, or Firm* — Dicke, Billig & Czaja, PLLC

See application file for complete search history.

(57) **CLAIM**

The ornamental design for an LED-based light bulb with power groove, as shown and described herein.

(56) **References Cited**

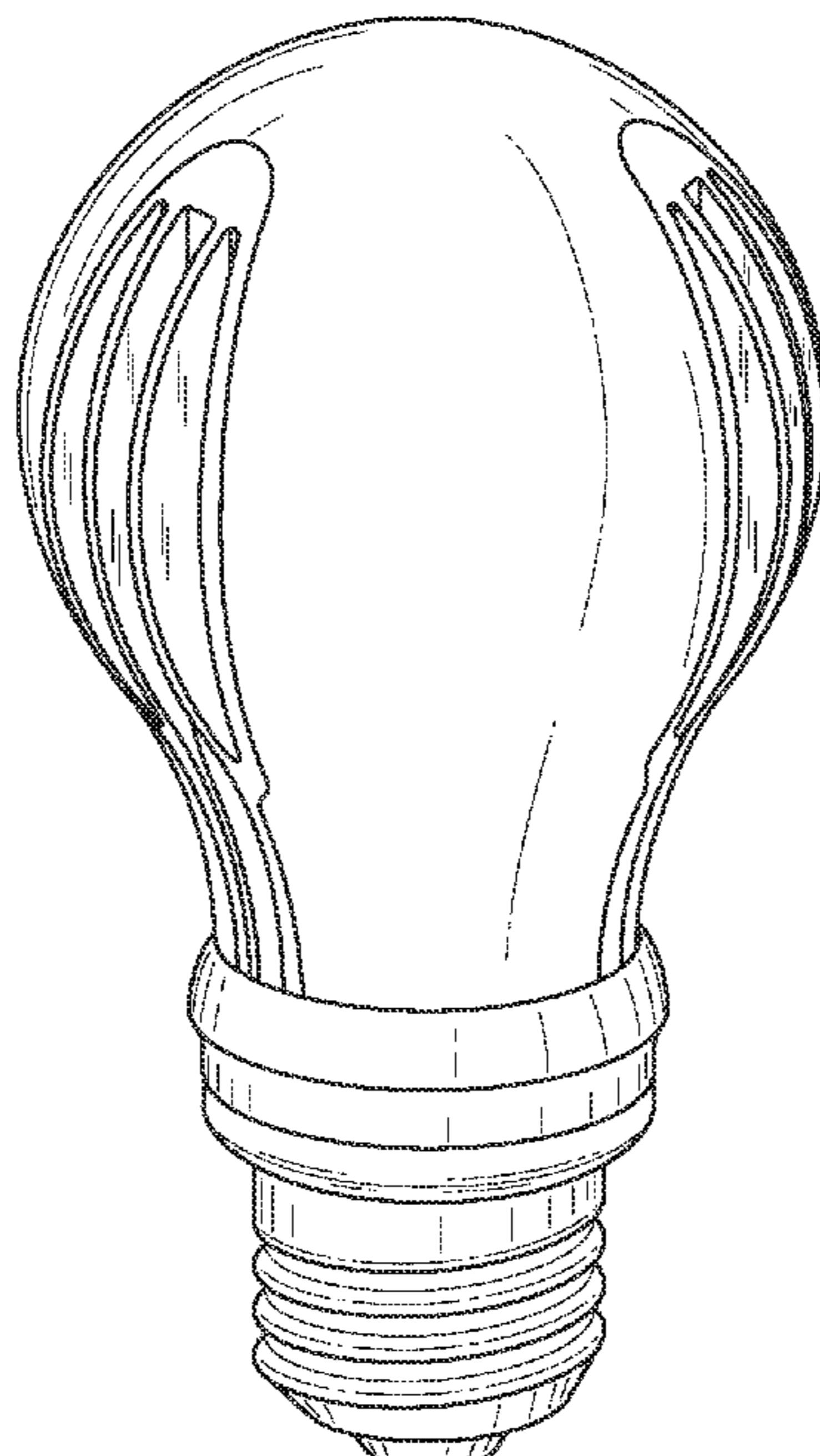
DESCRIPTION

U.S. PATENT DOCUMENTS

5,162,696	A	11/1992	Goodrich	
5,806,965	A	9/1998	Deese	
6,220,722	B1	4/2001	Begemann	
6,343,871	B1	2/2002	Yu	
6,367,949	B1	4/2002	Pederson	
6,462,475	B1	10/2002	Lee	
6,739,734	B1	5/2004	Hulgan	
7,086,756	B2	8/2006	Maxik	
D529,202	S	9/2006	Nagai et al.	
D531,741	S *	11/2006	Takahashi	D26/2
D534,665	S *	1/2007	Egawa et al.	D26/2
D538,953	S *	3/2007	Mama	D26/2
7,217,956	B2	5/2007	Daniels et al.	

FIG. 1 is a perspective view of an LED-based light bulb with power groove in accordance with the present disclosure; FIG. 2 is a top plan view of the light bulb of FIG. 1; FIG. 3 is a bottom plan view of the light bulb of FIG. 1; FIG. 4 is a front plan view of the light bulb of FIG. 1; FIG. 5 is a rear plan view of the light bulb of FIG. 1; FIG. 6 is a side view of the light bulb of FIG. 1; and, FIG. 7 is an opposite side view of the light bulb of FIG. 1.

1 Claim, 7 Drawing Sheets



US D664,685 S

Page 2

U.S. PATENT DOCUMENTS

2003/0031015 A1 2/2003 Ishibashi
2003/0090910 A1 5/2003 Chen
2003/0117803 A1 6/2003 Chen
2003/0174499 A1 9/2003 Bohlander
2004/0037080 A1 2/2004 Luk et al.
2005/0030761 A1 2/2005 Burgess
2005/0174769 A1 8/2005 Yong et al.
2005/0207152 A1 9/2005 Maxik
2005/0207159 A1 9/2005 Maxik
2006/0012997 A1 1/2006 Catalano et al.
2006/0221606 A1 10/2006 Dowling
2006/0285325 A1 12/2006 Ducharme et al.

2006/0291256 A1 12/2006 Cobbler
2007/0103914 A1 5/2007 McCaffrey
2007/0291482 A1 12/2007 Baroky et al.
2008/0024070 A1 1/2008 Catalano et al.
2008/0285279 A1 11/2008 Ng et al.
2009/0086492 A1 4/2009 Meyer
2010/0301353 A1 12/2010 Pabst et al.

FOREIGN PATENT DOCUMENTS

JP 2005310561 A 11/2005
WO 2005090852 A2 9/2005
WO 2009149263 A1 12/2009

* cited by examiner

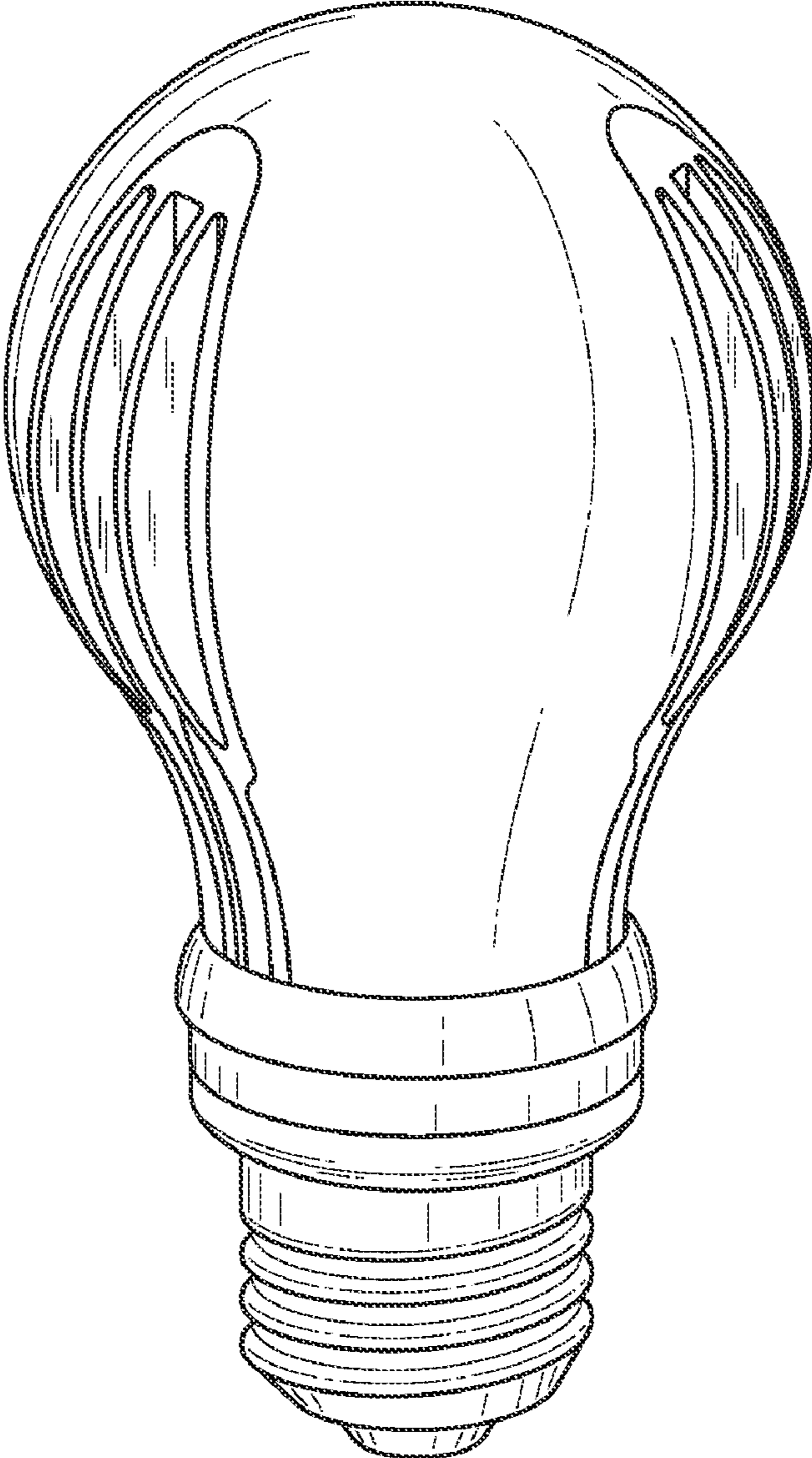


Fig. 1

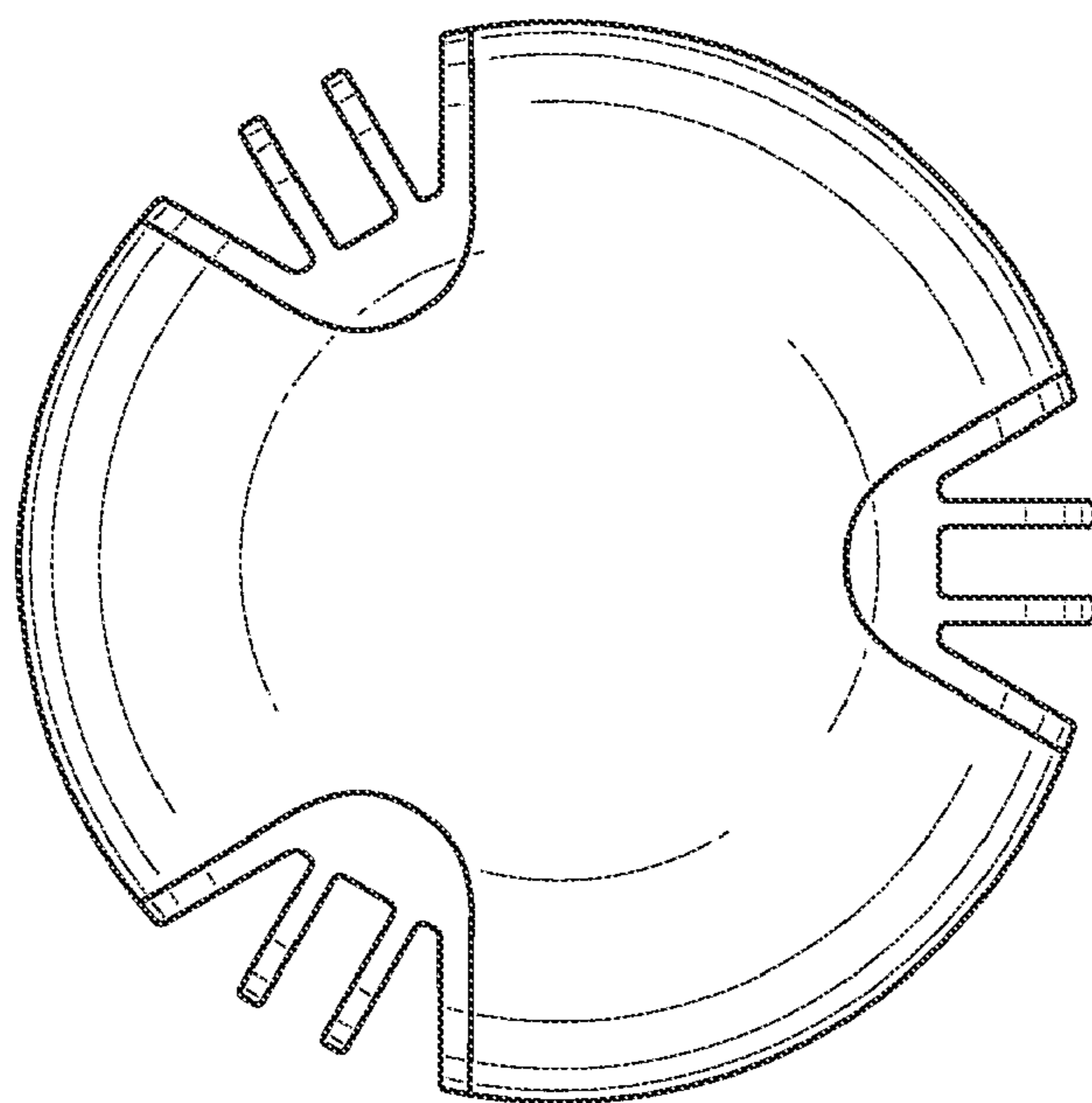


Fig. 2

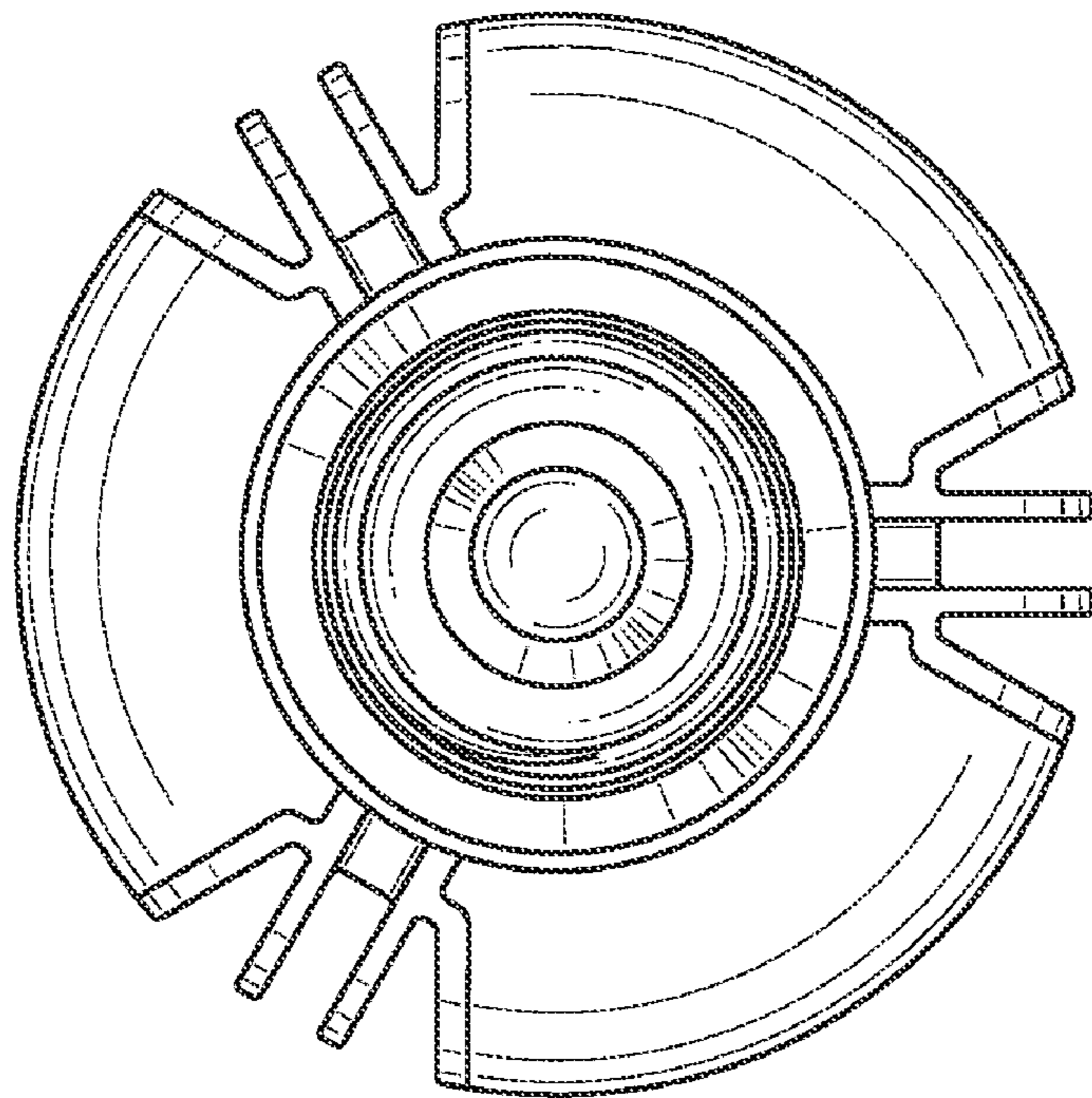


Fig. 3

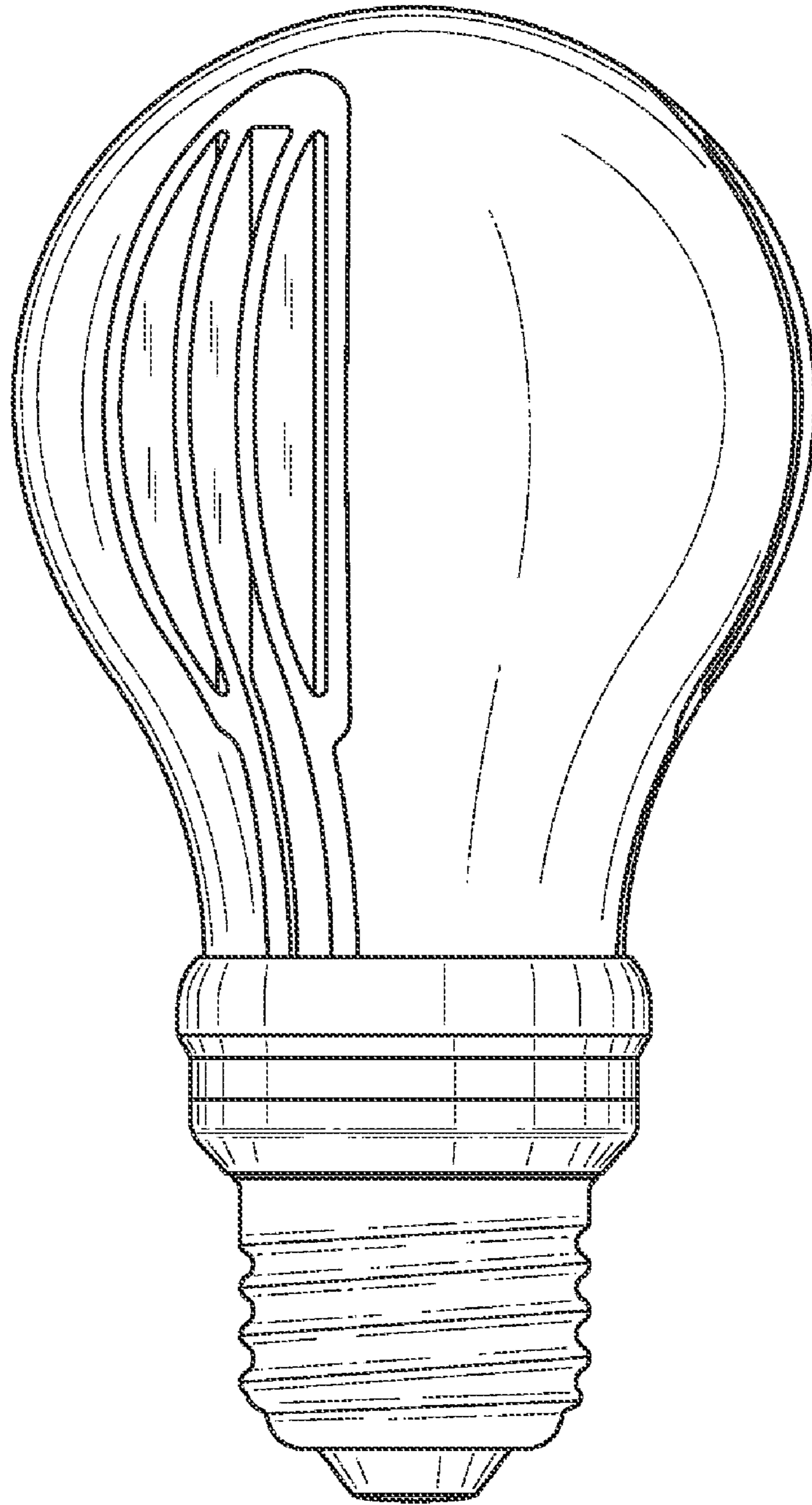


Fig. 4

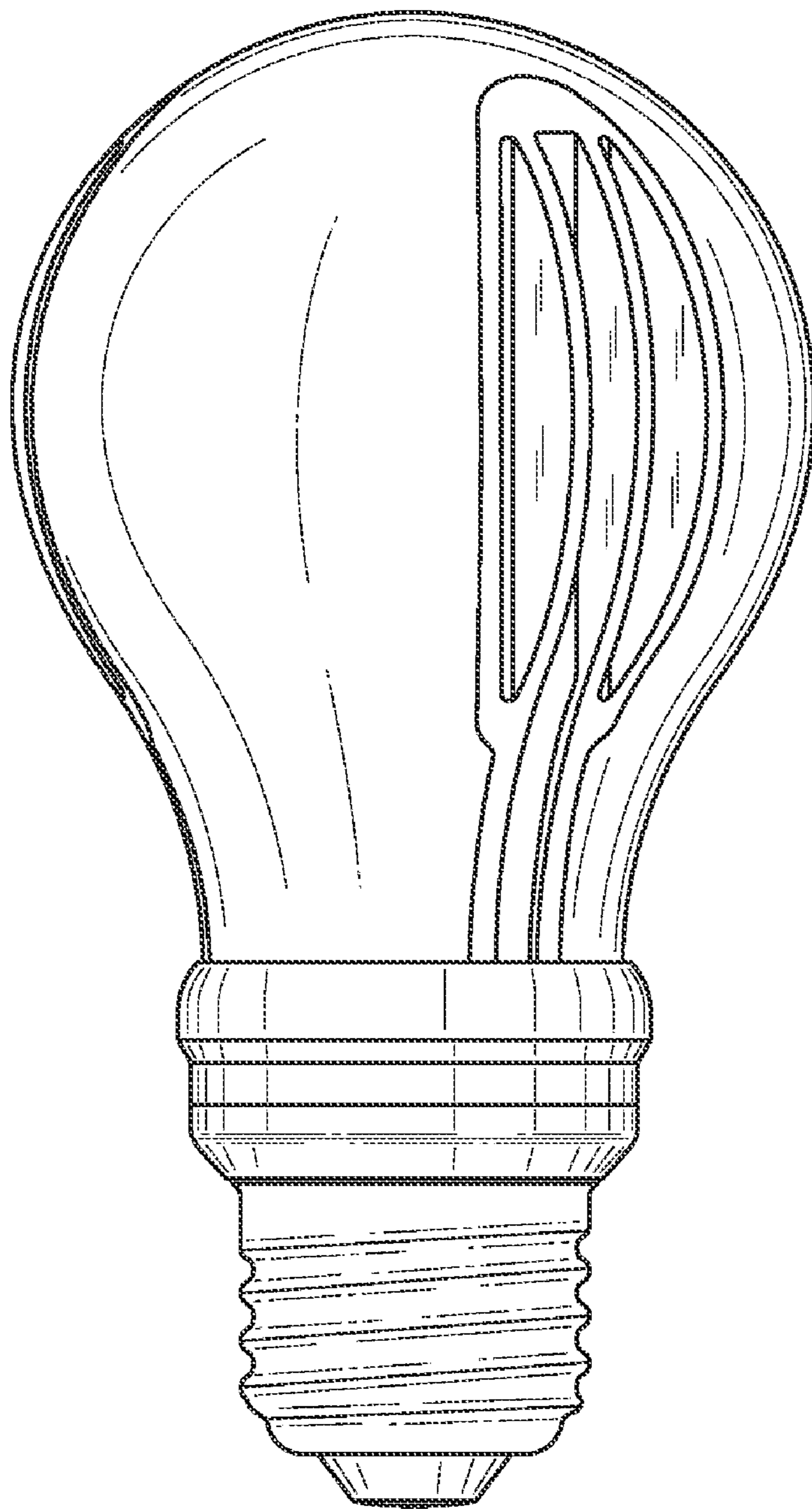


Fig. 5

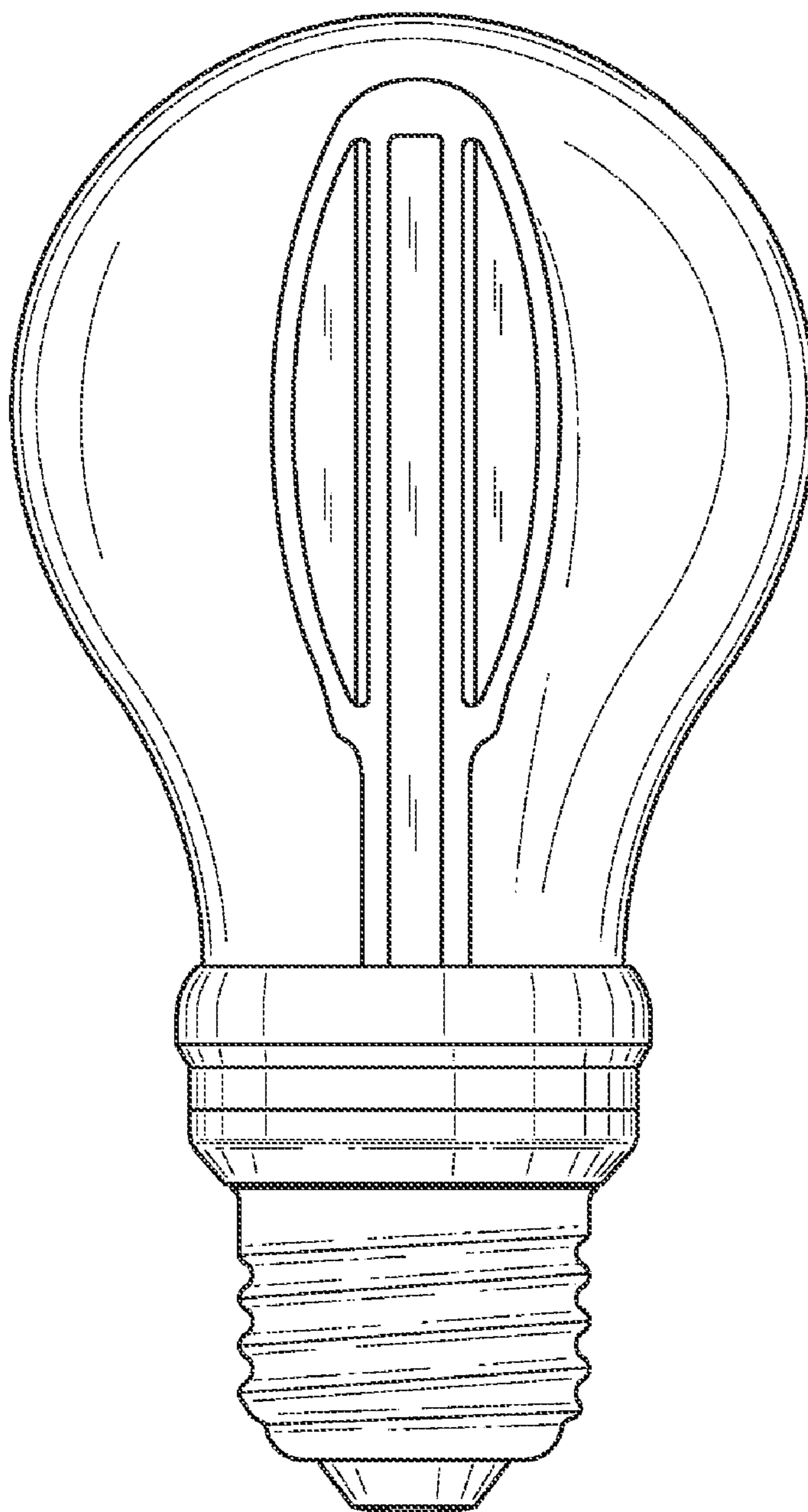


Fig. 6

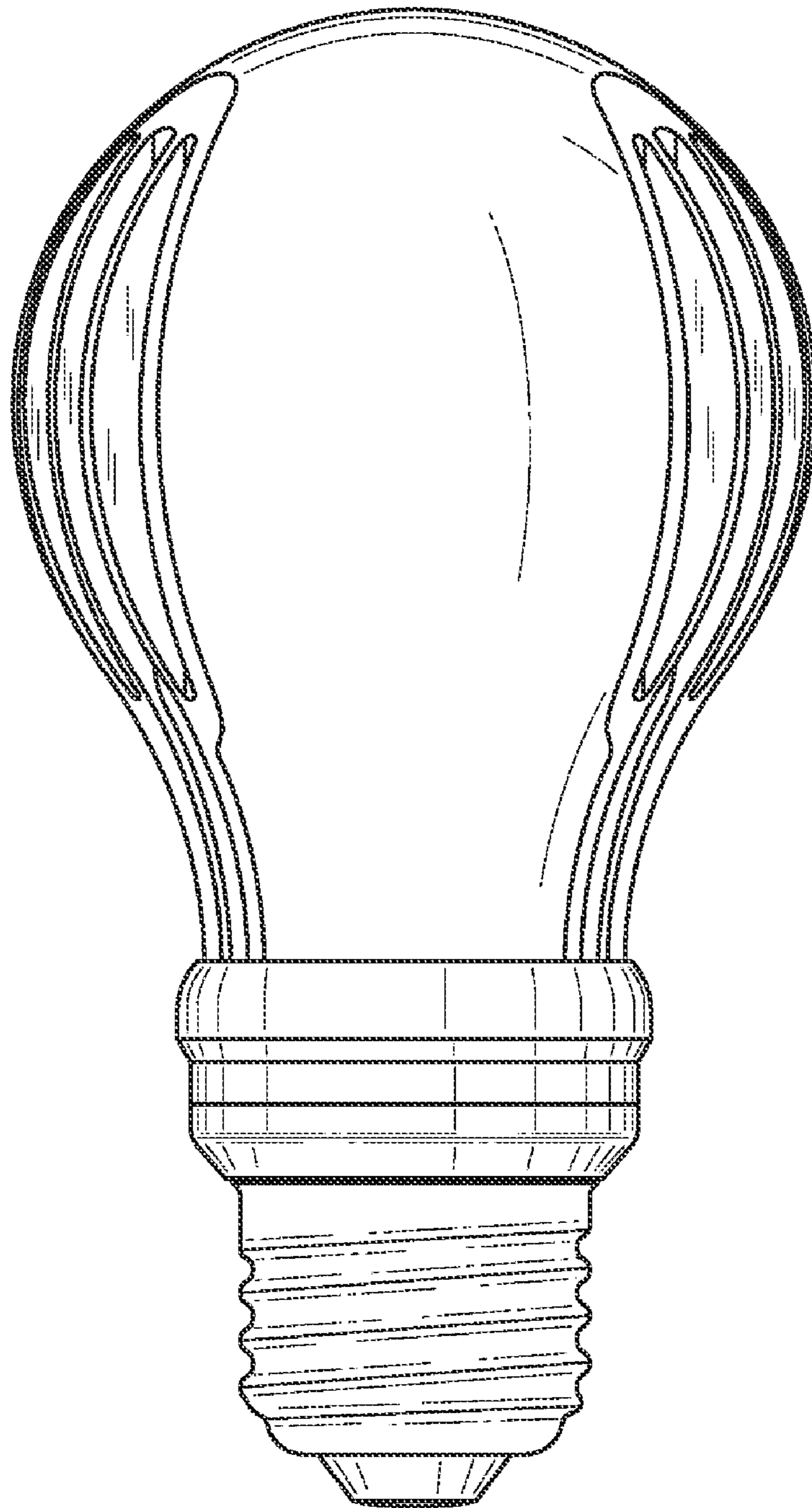


Fig. 7