



US00D664683S

(12) **United States Design Patent**
Matsuda et al.

(10) **Patent No.:** **US D664,683 S**
(45) **Date of Patent:** **** Jul. 31, 2012**

(54) **LIGHT-EMITTING DIODE LAMP**
(75) Inventors: **Tsugihiko Matsuda**, Kyoto (JP);
Yoshinori Kakuno, Osaka (JP); **Atsushi**
Motoya, Shiga (JP); **Nobuyuki Mase**,
Nara (JP)

D626,258 S 10/2010 Mathew
D629,929 S * 12/2010 Chen et al. D26/2
D646,810 S * 10/2011 Takeuchi et al. D26/2
D646,811 S * 10/2011 Takeuchi et al. D26/2
D655,024 S * 2/2012 deBetak D26/2

(73) Assignee: **Panasonic Corporation**, Osaka (JP)
(**) Term: **14 Years**

FOREIGN PATENT DOCUMENTS

JP D1239733 5/2005
JP D1293786 2/2007
JP D1293787 2/2007
JP D1376368 12/2009
JP D1390731 6/2010
JP D1412828 5/2011

(21) Appl. No.: **29/396,492**

* cited by examiner

(22) Filed: **Jun. 30, 2011**

Primary Examiner — Marcus Jackson

(30) **Foreign Application Priority Data**

(74) *Attorney, Agent, or Firm* — Brinks Hofer Gilson & Lione

May 16, 2011 (JP) 2011-010848

(51) **LOC (9) Cl.** **26-04**

(57) **CLAIM**

(52) **U.S. Cl.** **D26/2**

We claim the ornamental design for a light-emitting diode lamp, as shown and described.

(58) **Field of Classification Search** D26/1-4;
313/313, 315, 316, 317, 318, 493; 315/52,
315/53, 56, 57, 58

DESCRIPTION

See application file for complete search history.

FIG. 1 is a front perspective view of a light-emitting diode lamp of the present invention;
FIG. 2 is a front view thereof;
FIG. 3 is a rear view thereof;
FIG. 4 is a first side view thereof;
FIG. 5 is a second side view thereof;
FIG. 6 is a top view thereof; and,
FIG. 7 is a bottom view thereof.

(56) **References Cited**

The broken line showing of light-emitting diode lamp is included for the purpose of illustrating environment and forms no part of the claimed design.

U.S. PATENT DOCUMENTS

D340,295 S * 10/1993 Beauchamp D26/2
D410,554 S * 6/1999 Guyton D26/2
D422,099 S * 3/2000 Kracke D26/2
D443,703 S * 6/2001 Sood D26/2
D487,939 S 3/2004 Smith
D543,288 S 5/2007 Bembridge
D548,369 S 8/2007 Bembridge
D549,360 S * 8/2007 An D26/2
D550,864 S * 9/2007 Hernandez et al. D26/2
D610,272 S 2/2010 Guo et al.
D610,273 S 2/2010 Guo et al.

1 Claim, 6 Drawing Sheets

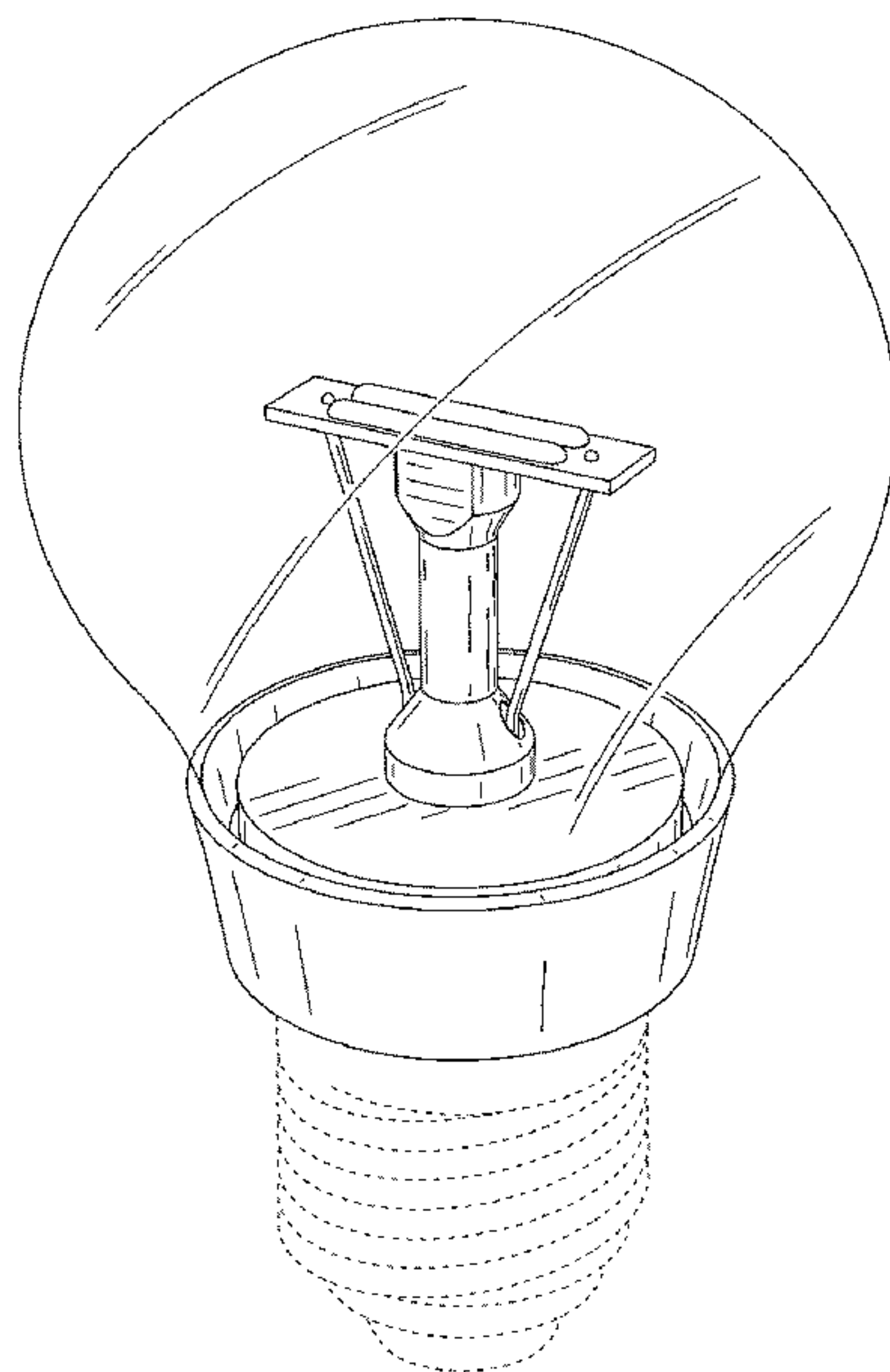


FIG. 1

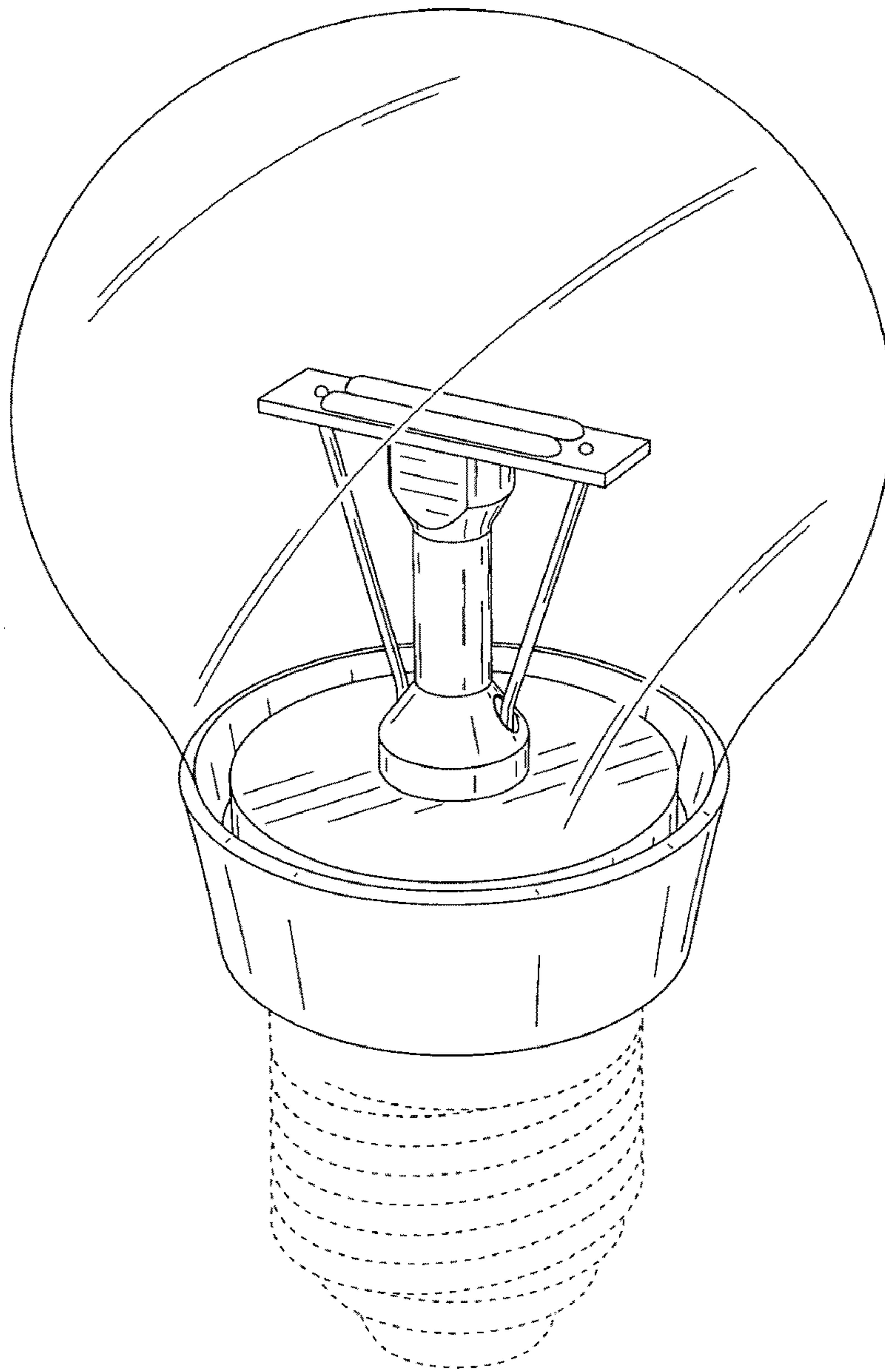


FIG.2

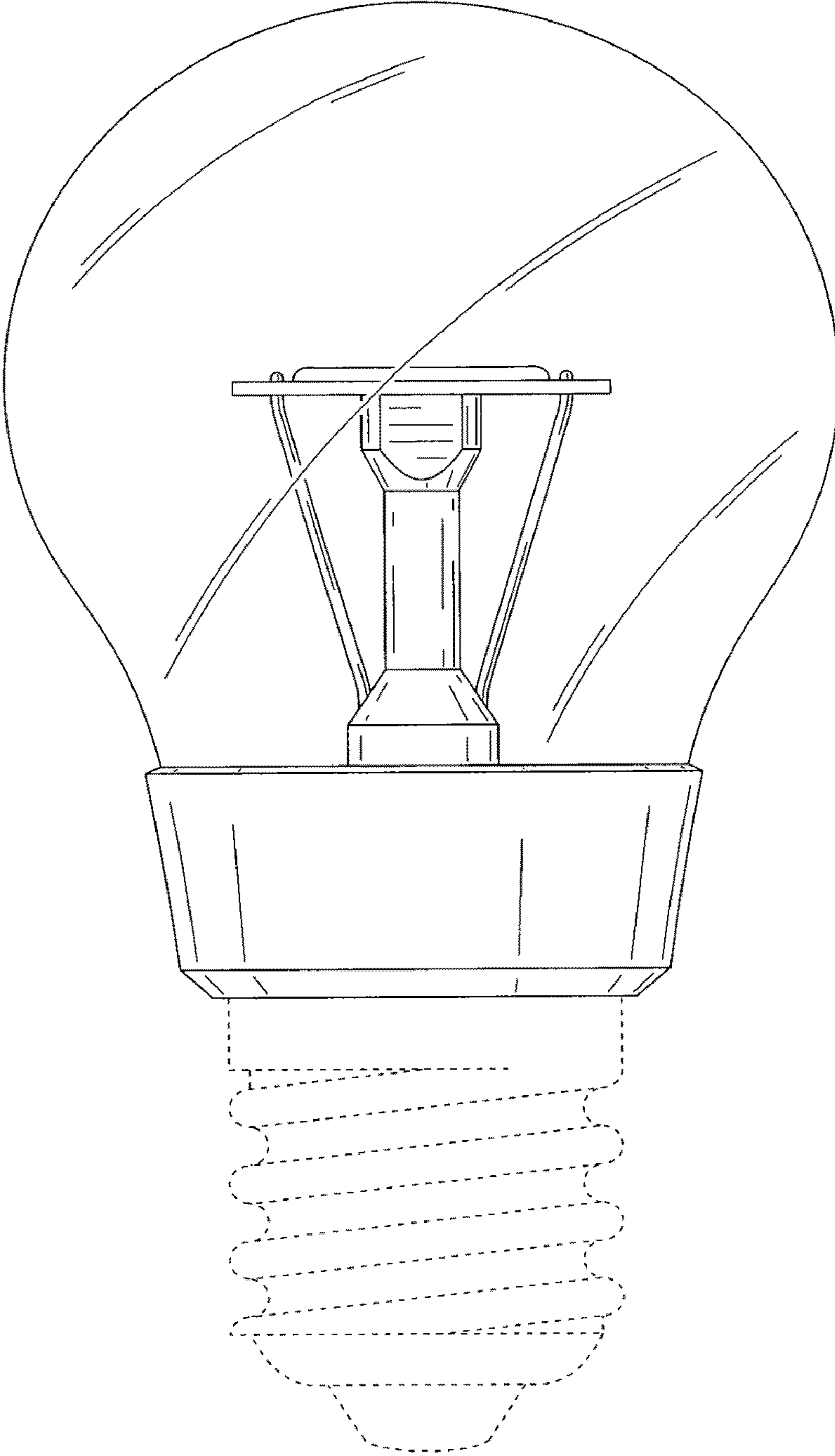


FIG.3

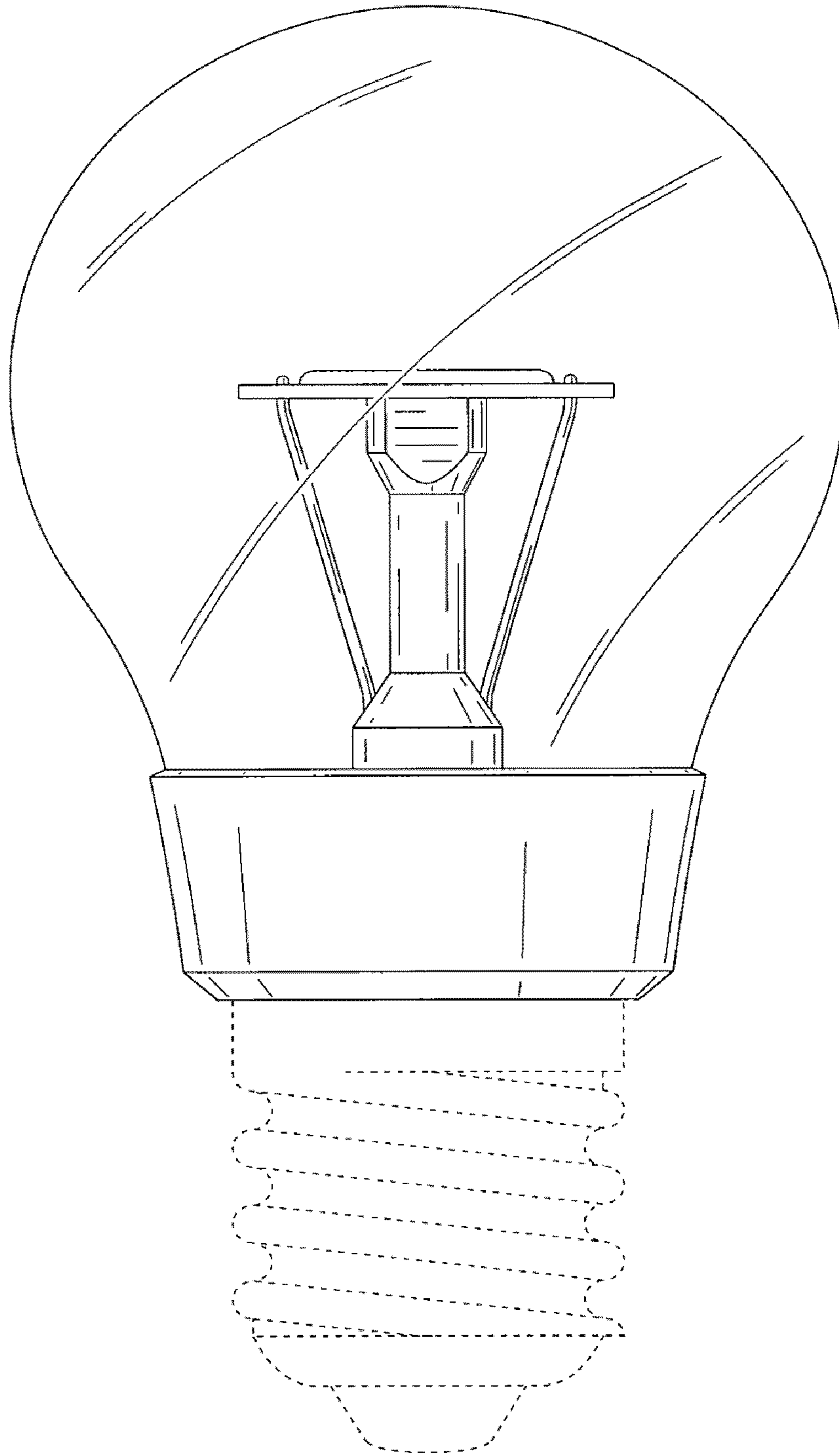


FIG.4

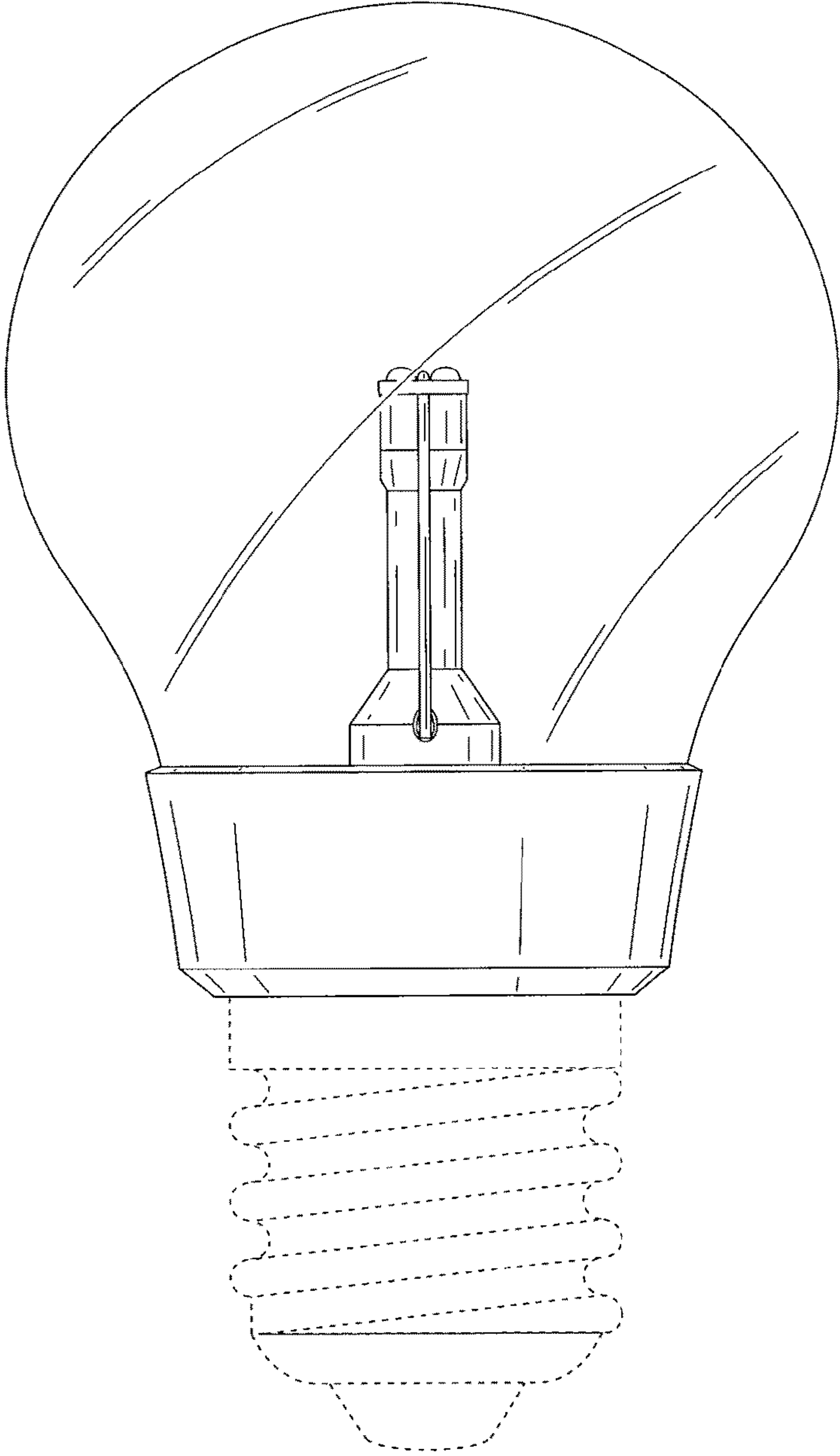


FIG.5

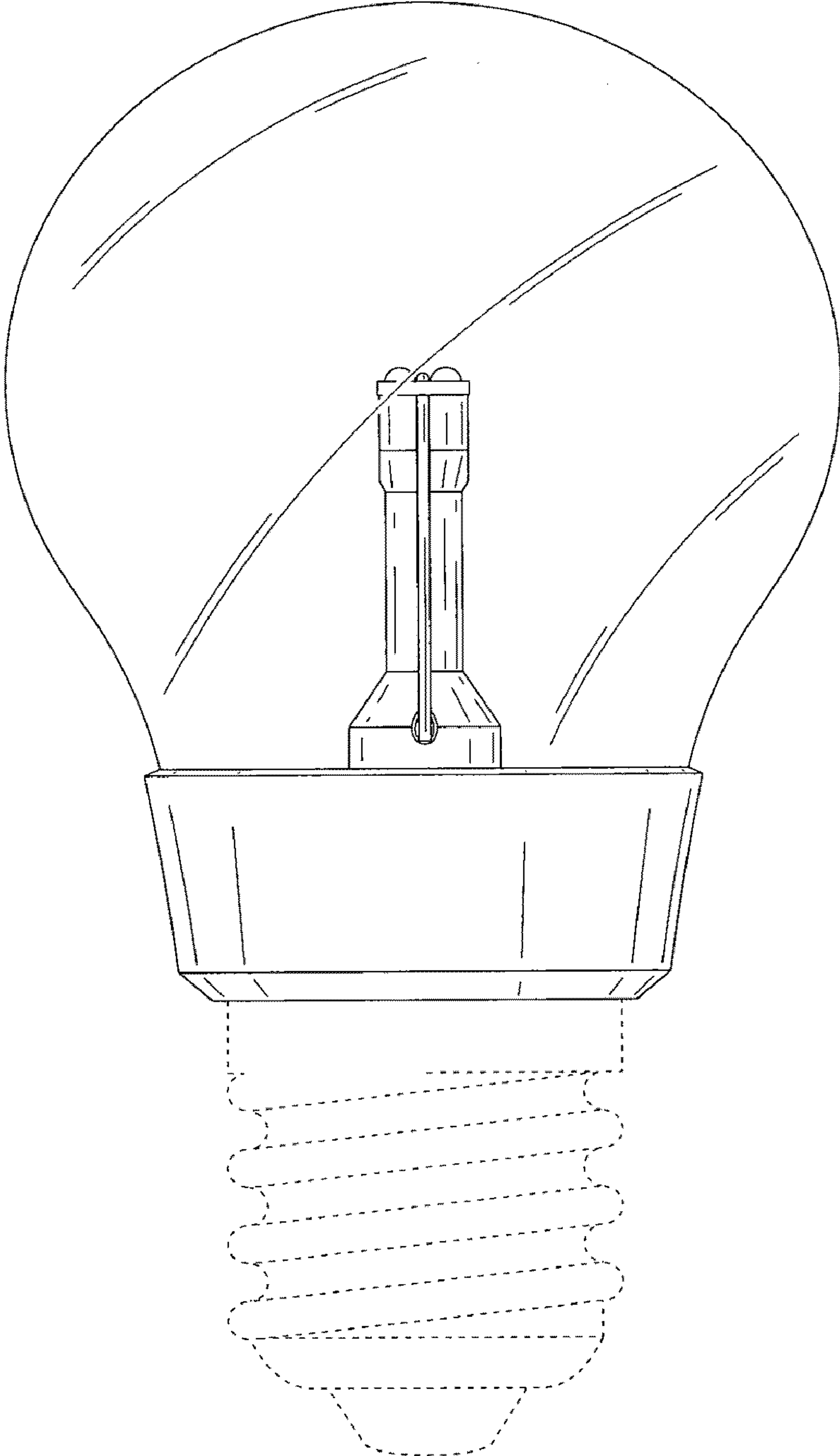


FIG.6

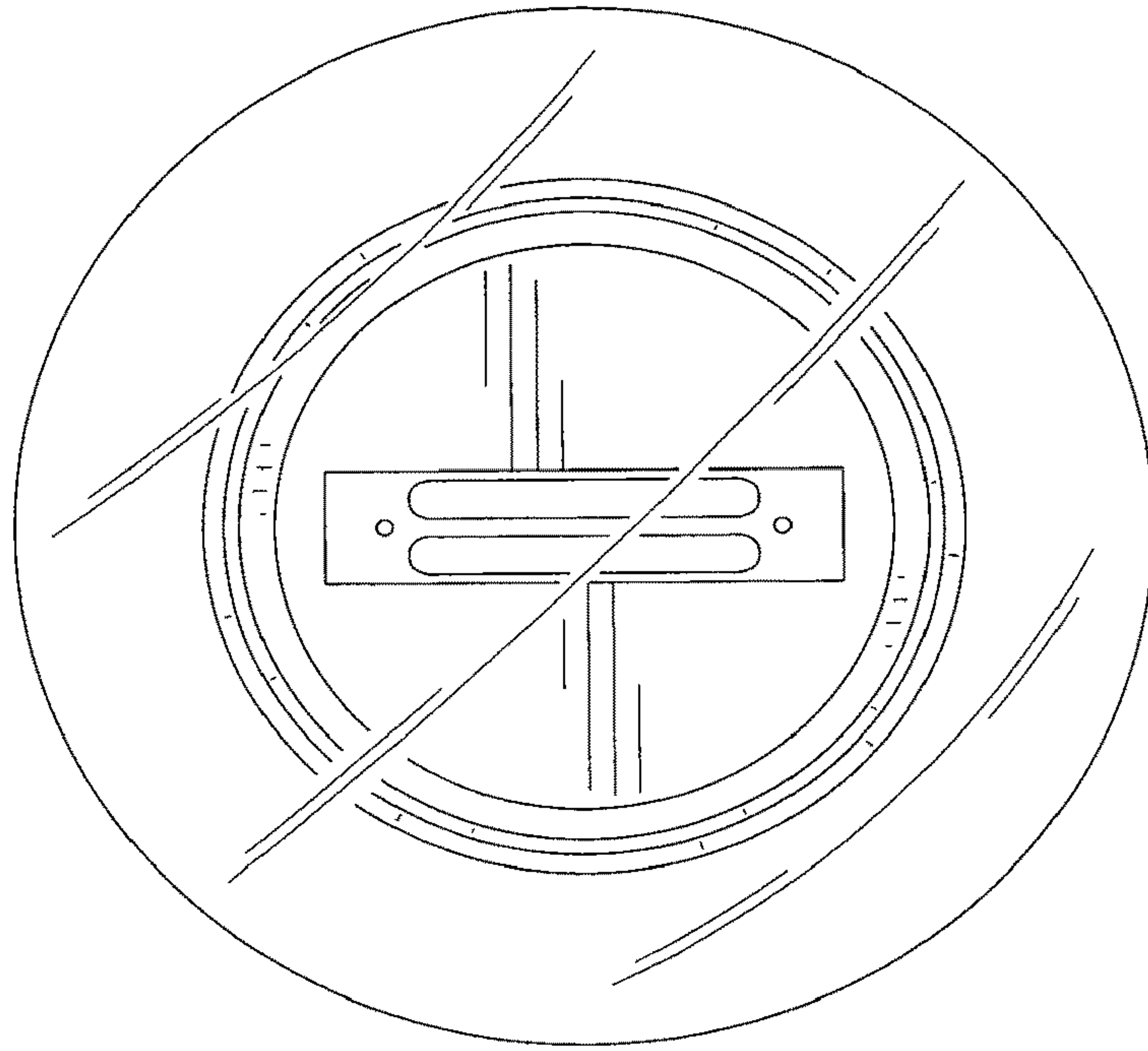


FIG.7

