

US00D664682S

(12) **United States Design Patent**
Matsuda et al.

(10) **Patent No.:** **US D664,682 S**
(45) **Date of Patent:** **** Jul. 31, 2012**

(54) **LIGHT-EMITTING DIODE LAMP**
(75) Inventors: **Tsugihiko Matsuda**, Kyoto (JP);
Atsushi Motoya, Shiga (JP); **Yoshinori**
Kakuno, Osaka (JP); **Kazuyuki Okano**,
Nara (JP); **Toru Okazaki**, Osaka (JP);
Naoki Tagami, Osaka (JP); **Koji**
Omura, Osaka (JP); **Nobuyoshi**
Takeuchi, Osaka (JP)

D550,864 S * 9/2007 Hernandez et al. D26/2
D565,755 S 4/2008 Uemoto et al.
D629,929 S * 12/2010 Chen et al. D26/2
D646,810 S * 10/2011 Takeuchi et al. D26/2
D646,811 S * 10/2011 Takeuchi et al. D26/2
D655,024 S * 2/2012 deBetak D26/2

FOREIGN PATENT DOCUMENTS

JP D1294312 2/2007
JP D1406562 2/2011
JP D1408201 2/2011

* cited by examiner

(73) Assignee: **Panasonic Corporation**, Osaka (JP)

(**) Term: **14 Years**

Primary Examiner — Marcus Jackson

(21) Appl. No.: **29/396,490**

(74) *Attorney, Agent, or Firm* — Brinks Hofer Gilson & Lione

(22) Filed: **Jun. 30, 2011**

(57) **CLAIM**

(30) **Foreign Application Priority Data**

We claim the ornamental design for a light-emitting diode lamp, as shown and described.

Feb. 25, 2011 (JP) 2011-004101

DESCRIPTION

(51) **LOC (9) Cl.** **26-04**

(52) **U.S. Cl.** **D26/2**

(58) **Field of Classification Search** D26/1-4;
313/313, 315, 316, 317, 318, 493; 315/52,
315/53, 56, 57, 58

FIG. 1 is a front perspective view of a light-emitting diode lamp of the present invention;
FIG. 2 is a front view thereof;
FIG. 3 is a rear view thereof;
FIG. 4 is a first side view thereof;
FIG. 5 is a second side view thereof;
FIG. 6 is a top view thereof; and,
FIG. 7 is a bottom view thereof.

See application file for complete search history.

The broken line showing of light-emitting diode lamp is included for the purpose of illustrating environment and forms no part of the claimed design.

(56) **References Cited**

U.S. PATENT DOCUMENTS

D340,295 S * 10/1993 Beauchamp D26/2
D422,099 S * 3/2000 Kracke D26/2
D443,703 S * 6/2001 Sood D26/2
D549,360 S * 8/2007 An D26/2

1 Claim, 6 Drawing Sheets

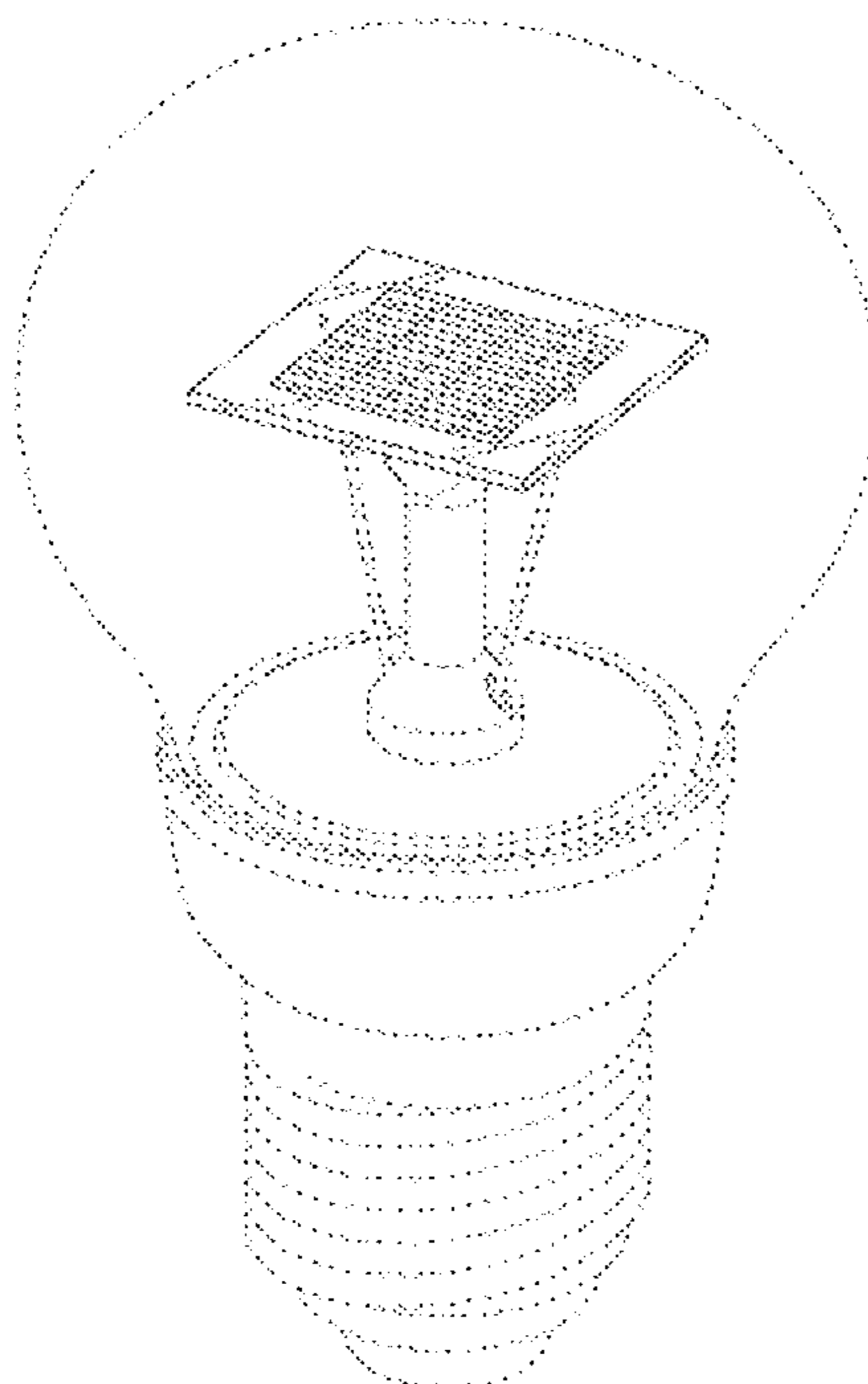


FIG. 1

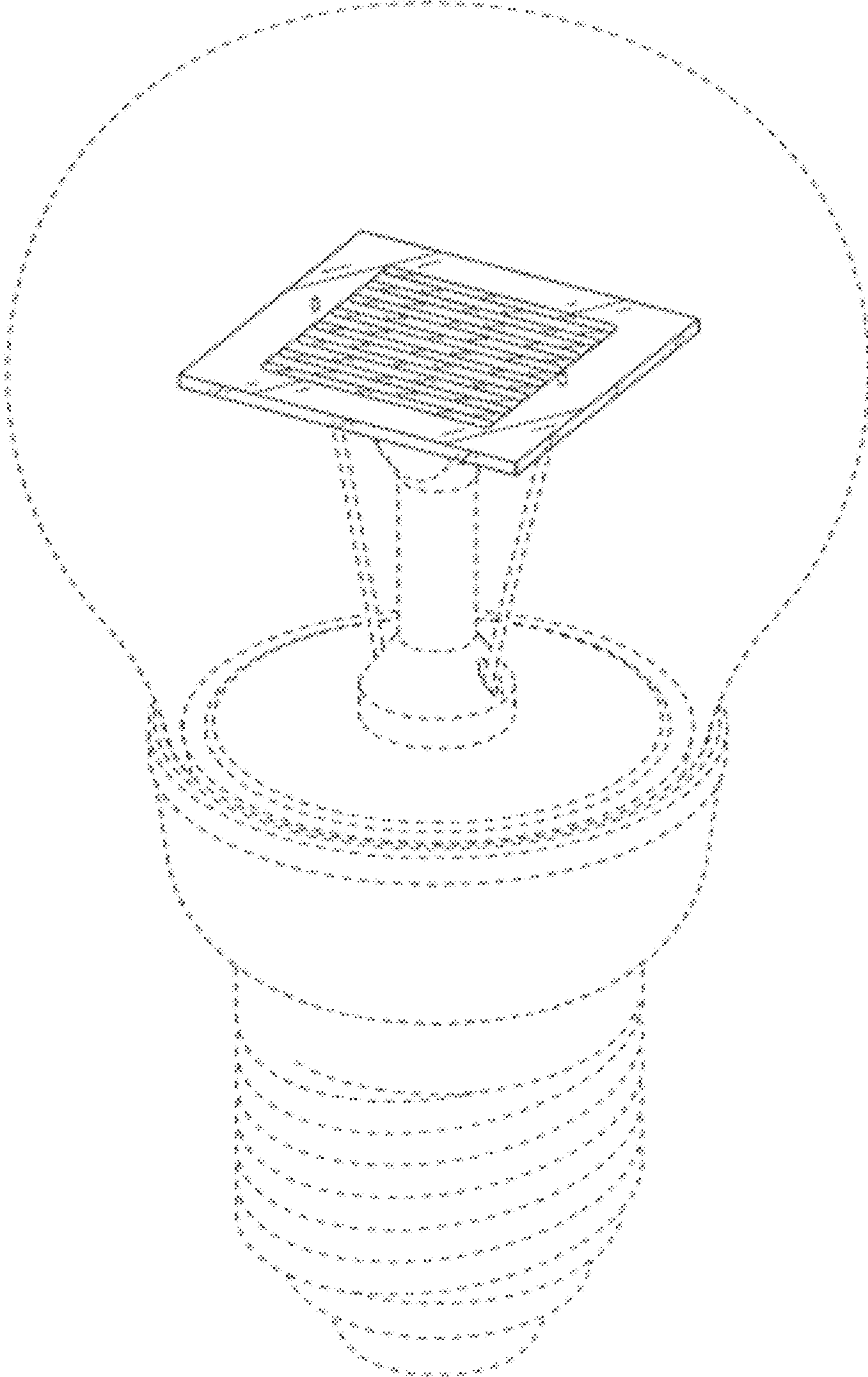


FIG.2

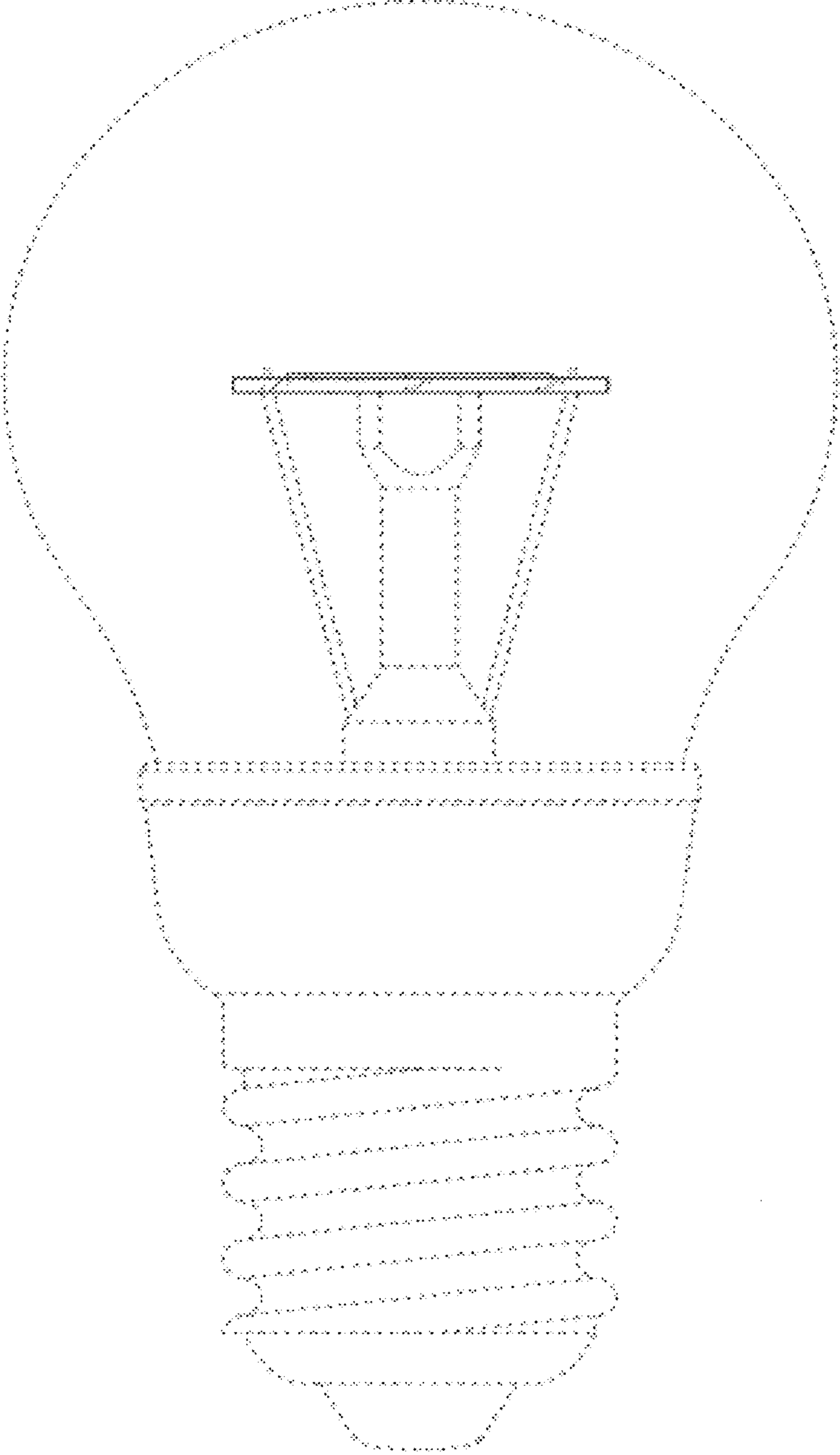


FIG.3

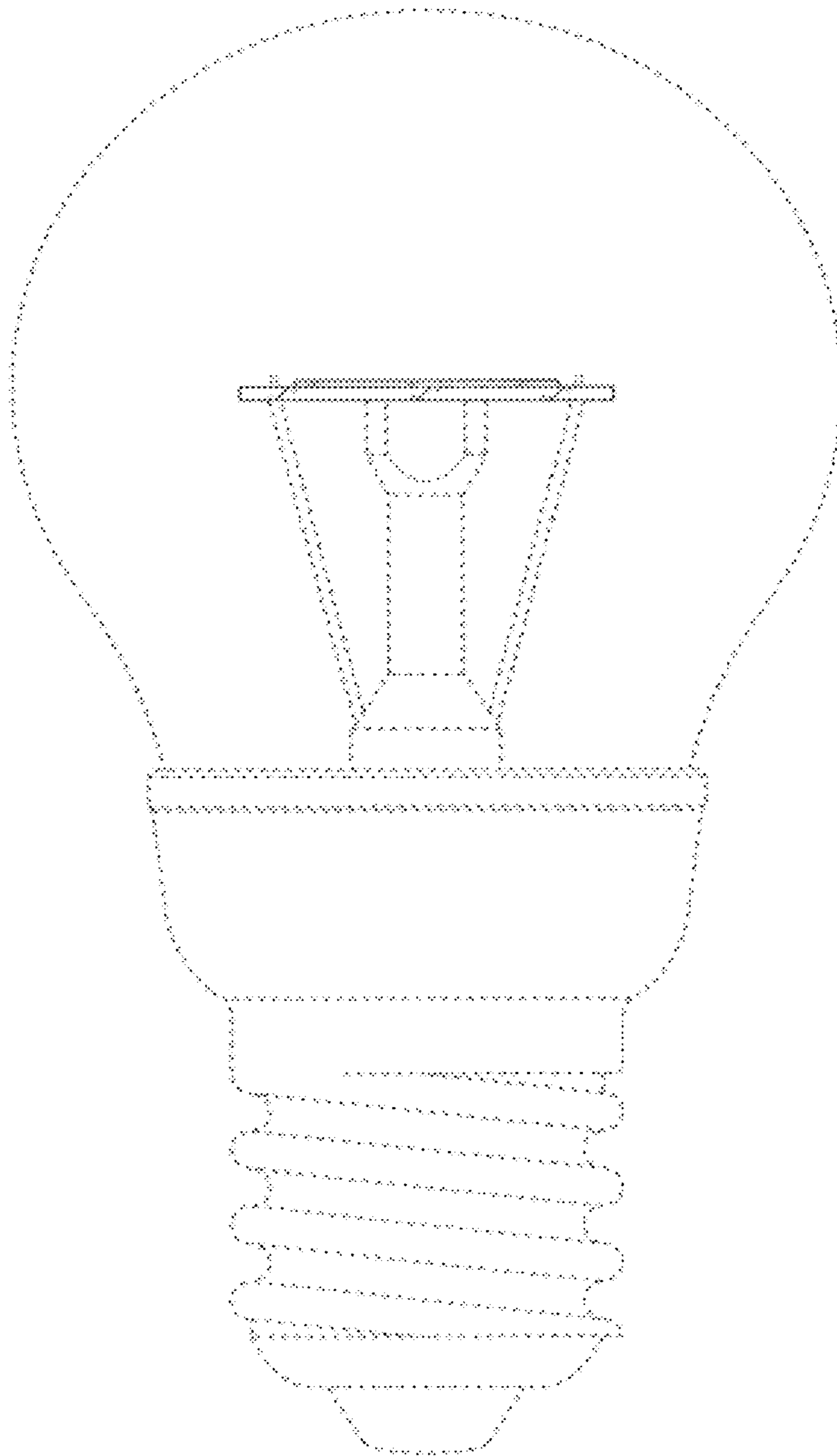


FIG. 4

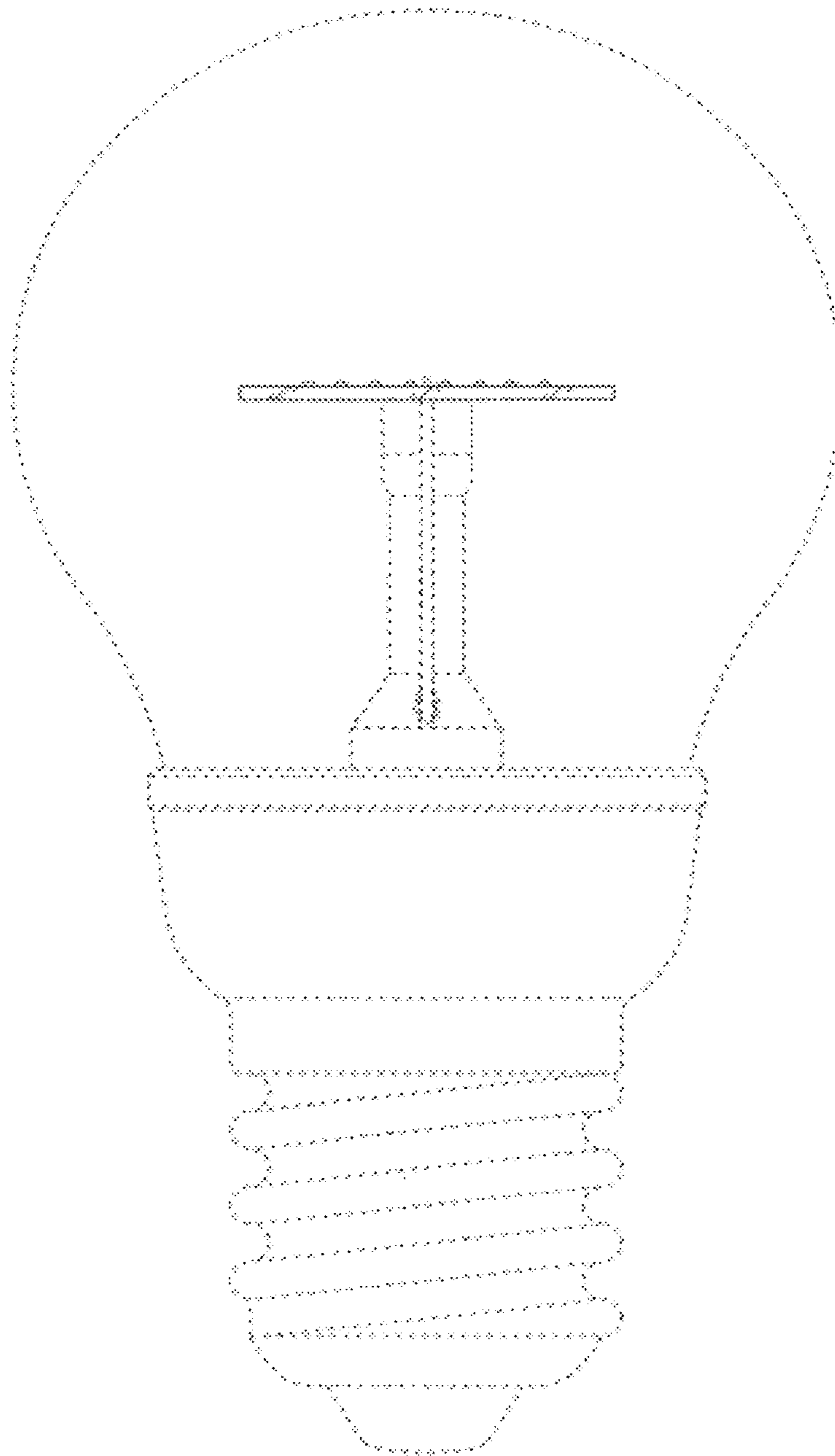


FIG. 5

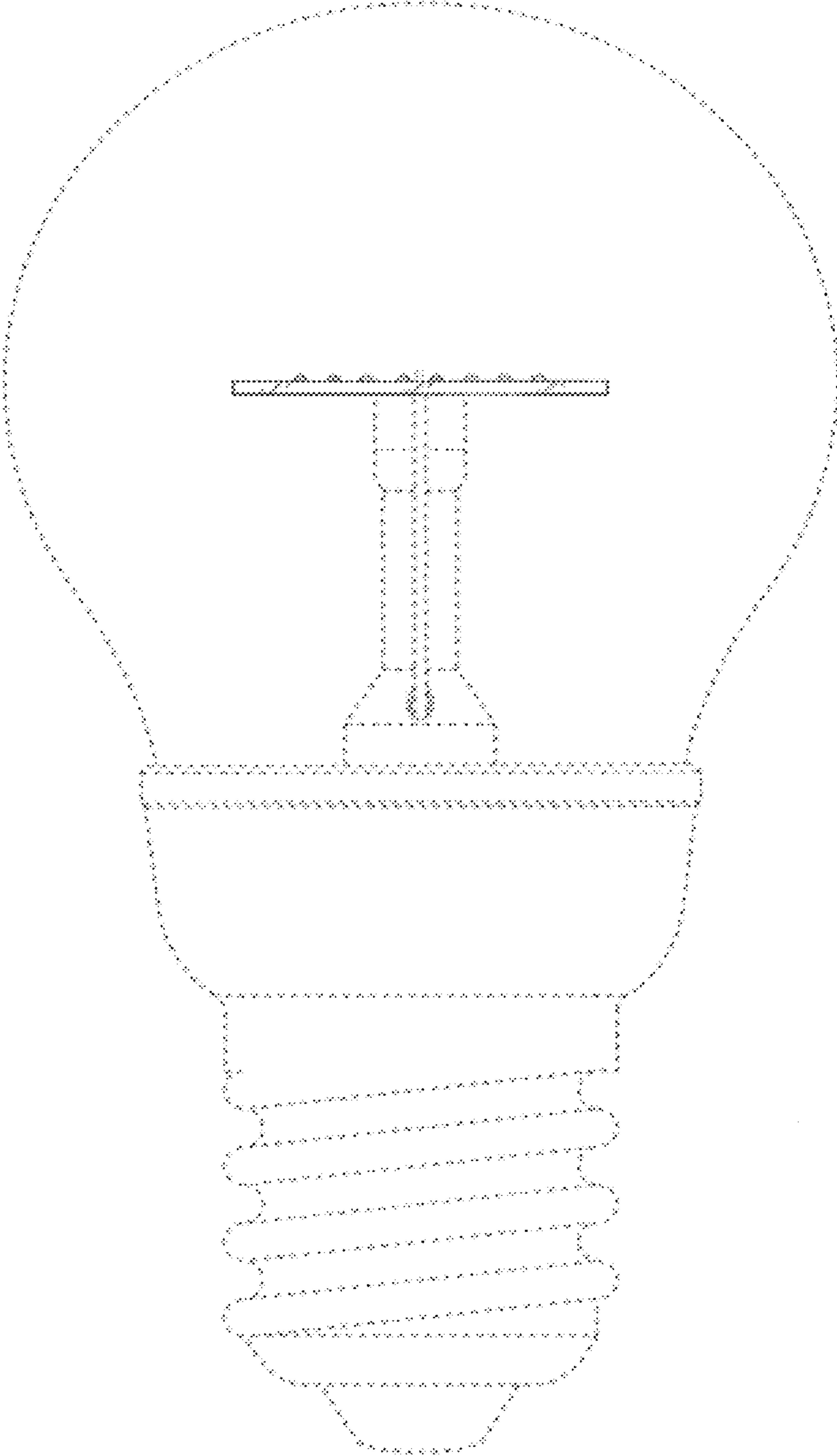


FIG.6

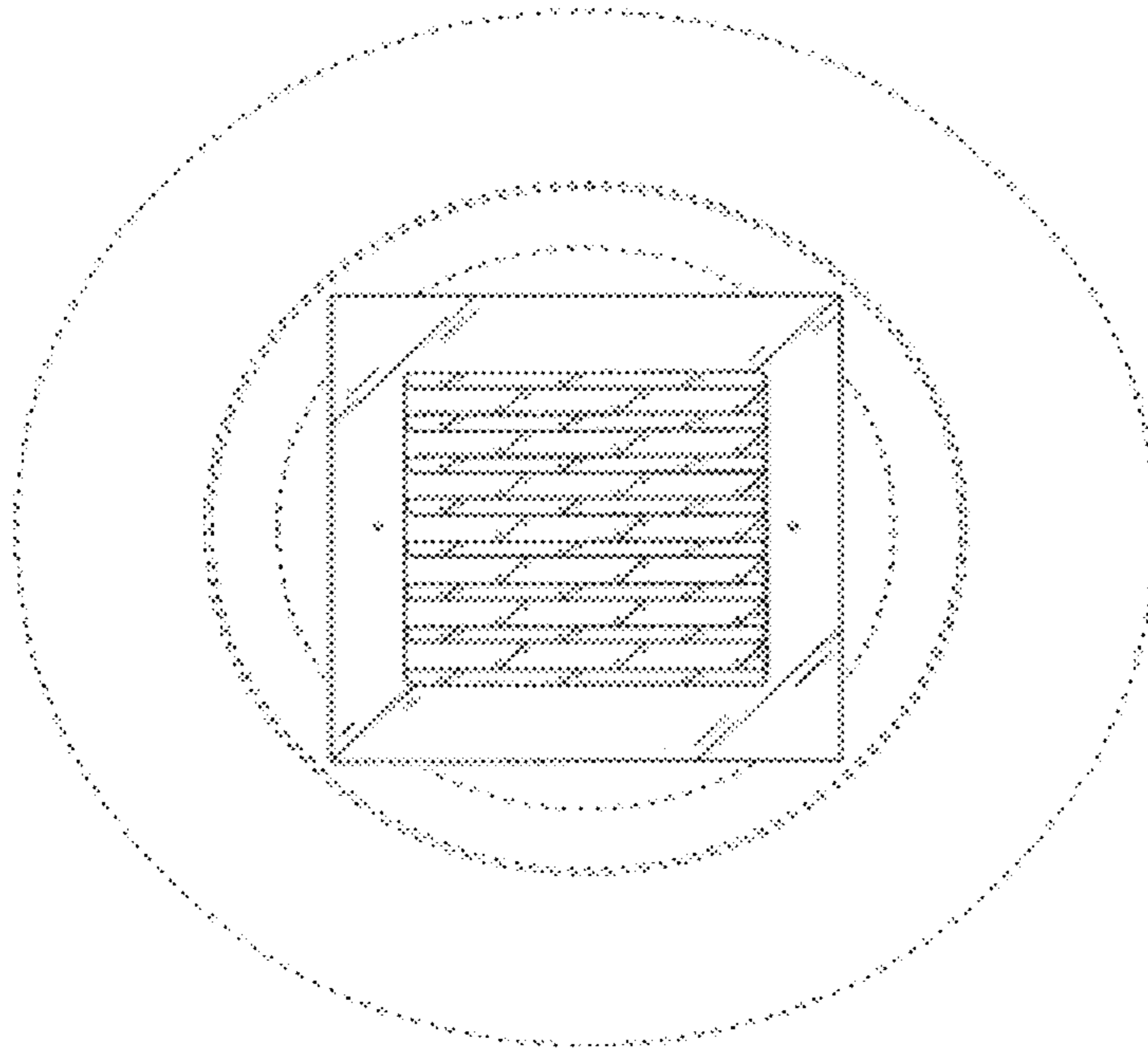


FIG.7

