

US00D664677S

(12) **United States Design Patent**
Riccobene

(10) **Patent No.:** **US D664,677 S**
(45) **Date of Patent:** **** Jul. 31, 2012**

- (54) **PAVER**
- (75) Inventor: **Thomas S. Riccobene**, Albuquerque, NM (US)
- (73) Assignee: **Keystone Retaining Wall Systems, Inc.**, Minneapolis, MN (US)
- (**) Term: **14 Years**
- (21) Appl. No.: **29/401,210**
- (22) Filed: **Sep. 8, 2011**
- (51) **LOC (9) Cl.** **25-01**
- (52) **U.S. Cl.** **D25/113**
- (58) **Field of Classification Search** D25/102-118, D25/136, 138, 140, 151, 152, 153, 156-162, D25/164; D21/484-491, 499-504; 405/16, 405/284, 286; 52/503-505, 574, 575, 596-612; 404/27-42
See application file for complete search history.

D553,759	S *	10/2007	Hamel	D25/113
7,393,155	B2	7/2008	Riccobene		
D577,130	S *	9/2008	Hamel	D25/113
D586,925	S *	2/2009	Riccobene	D25/113
D606,210	S *	12/2009	Thomassen	D25/113
7,637,688	B2	12/2009	Riccobene		

FOREIGN PATENT DOCUMENTS

GB	1047163	7/1988
JP	2002-285504	10/2002
SE	44 357	10/1988

OTHER PUBLICATIONS

Website, "What Is a Tessellation," www.mathforum.org/sum95/suzanne/whattes.html, dated 2002.
Pavestone brochure, Delta Stone, Zurich, published before 2010.

* cited by examiner

Primary Examiner — Anhdao Doan
(74) *Attorney, Agent, or Firm* — Greer, Burns & Crain, Ltd.

(57) **CLAIM**

The ornamental design for a paver, as shown and described.

(56) **References Cited**

U.S. PATENT DOCUMENTS

D35,691	S *	2/1902	Watts	D25/159
3,996,715	A *	12/1976	Dowse	52/609
4,474,504	A *	10/1984	Whitman et al.	405/16
5,267,810	A	12/1993	Johnson		
5,449,245	A *	9/1995	Glickman	404/38
5,645,369	A *	7/1997	Geiger	404/34
5,873,206	A *	2/1999	Roberts	52/245
5,902,069	A	5/1999	Barth		
D431,871	S *	10/2000	Abbrancati	D25/113
6,536,988	B2	3/2003	Geiger		
D477,419	S	7/2003	Manthei		
D486,246	S	2/2004	Manthei		
D536,058	S *	1/2007	Riccobene	D25/113

DESCRIPTION

FIG. 1 is a perspective view of a paver showing my new design.

FIG. 2 is a top plan view thereof.

FIG. 3 is a front side elevational view thereof.

FIG. 4 is a back side elevational view thereof.

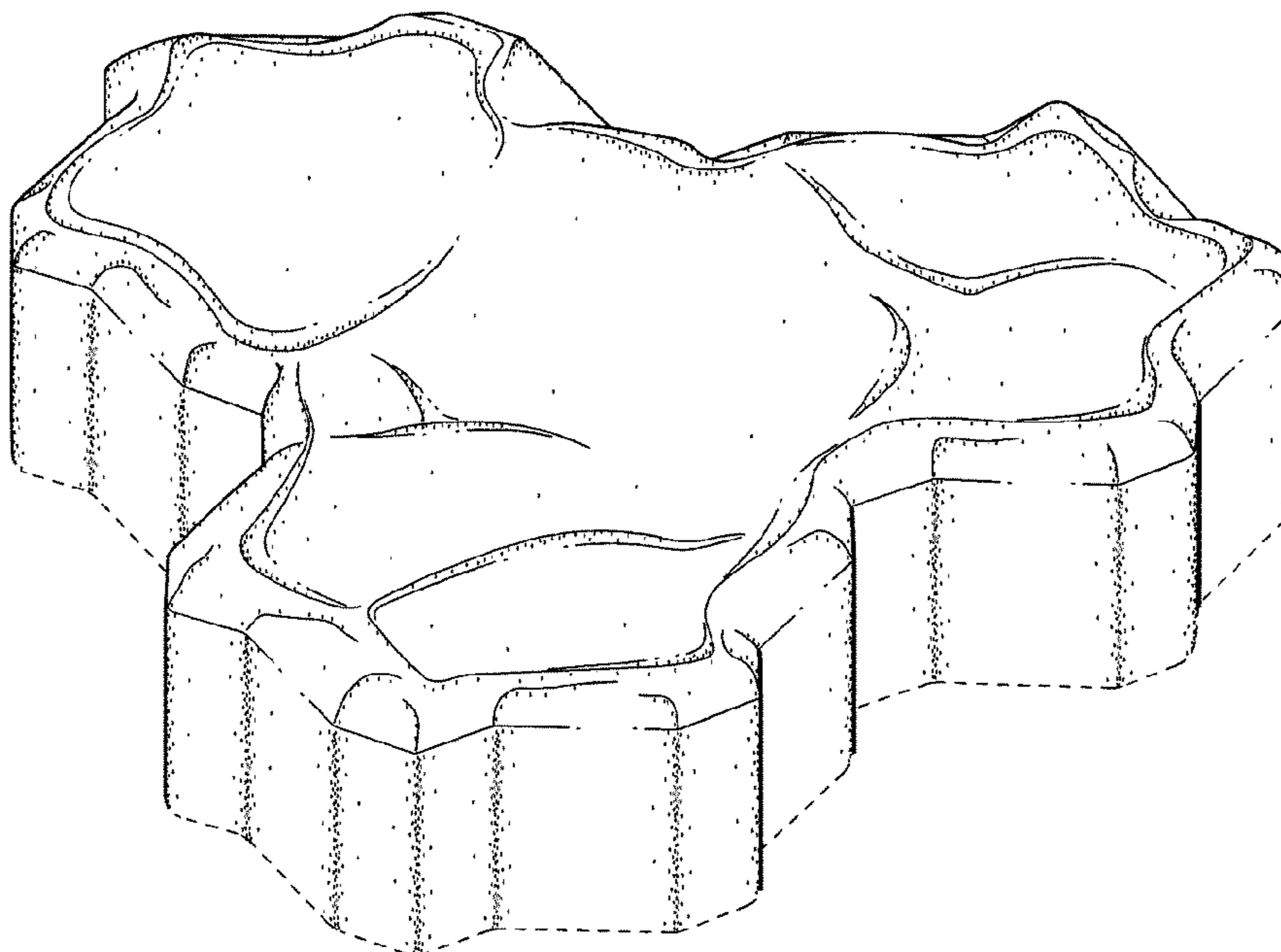
FIG. 5 is a left side elevational view thereof.

FIG. 6 is a right side elevational view thereof; and,

FIG. 7 is a bottom view thereof.

The dashed lines in figures define bounds of the claimed design and form no part of the claimed design.

1 Claim, 3 Drawing Sheets



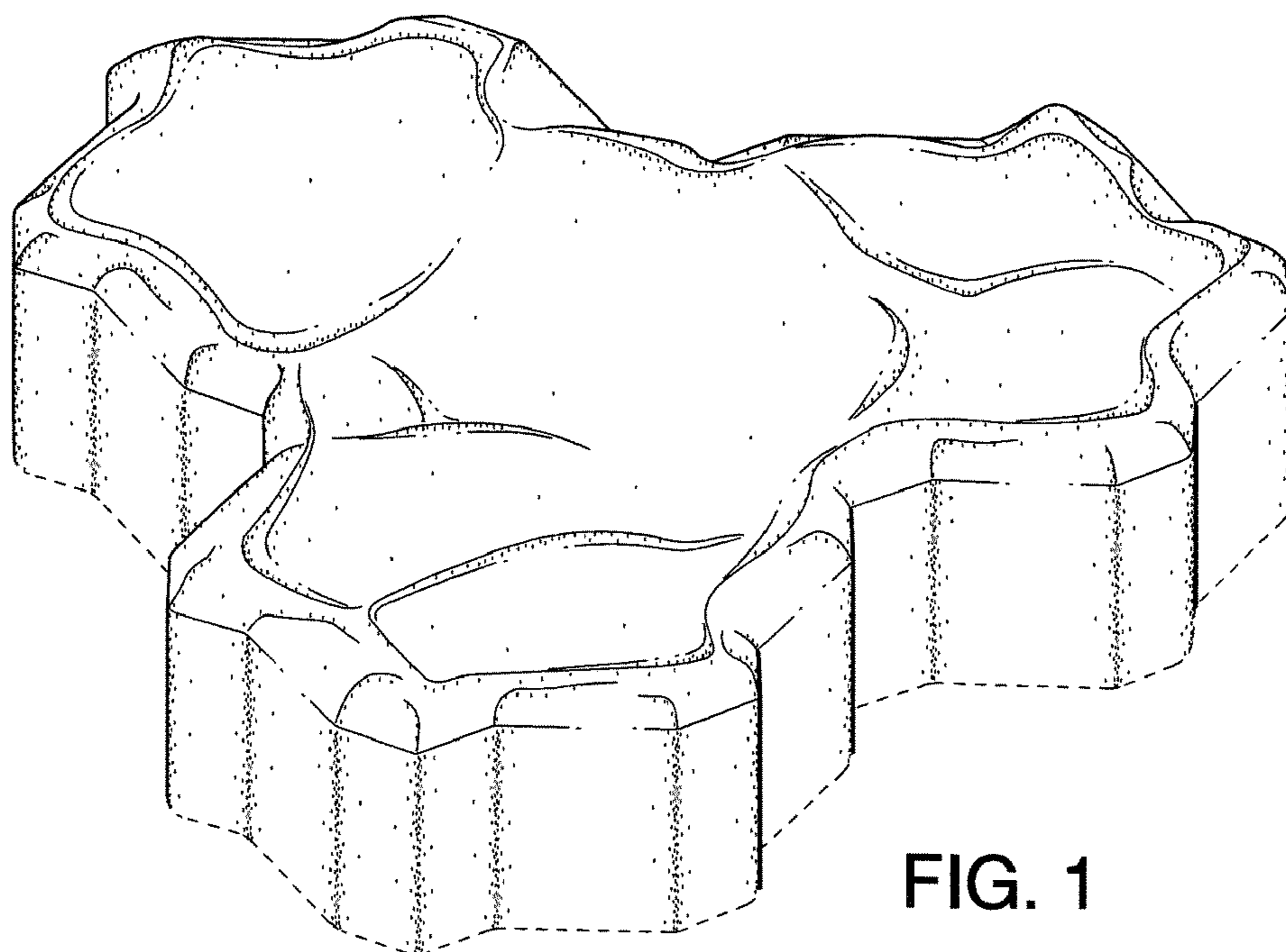


FIG. 1

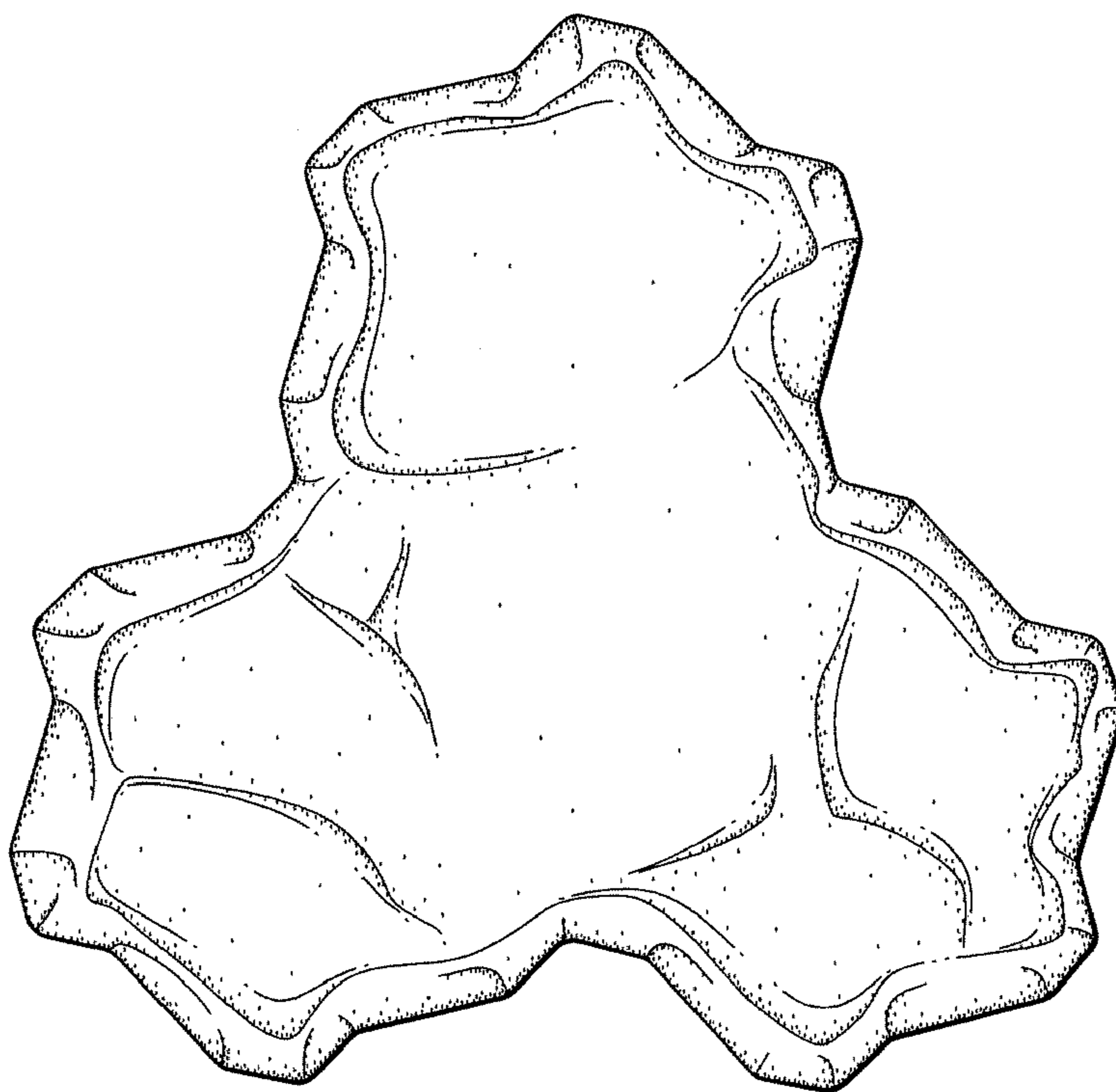


FIG. 2

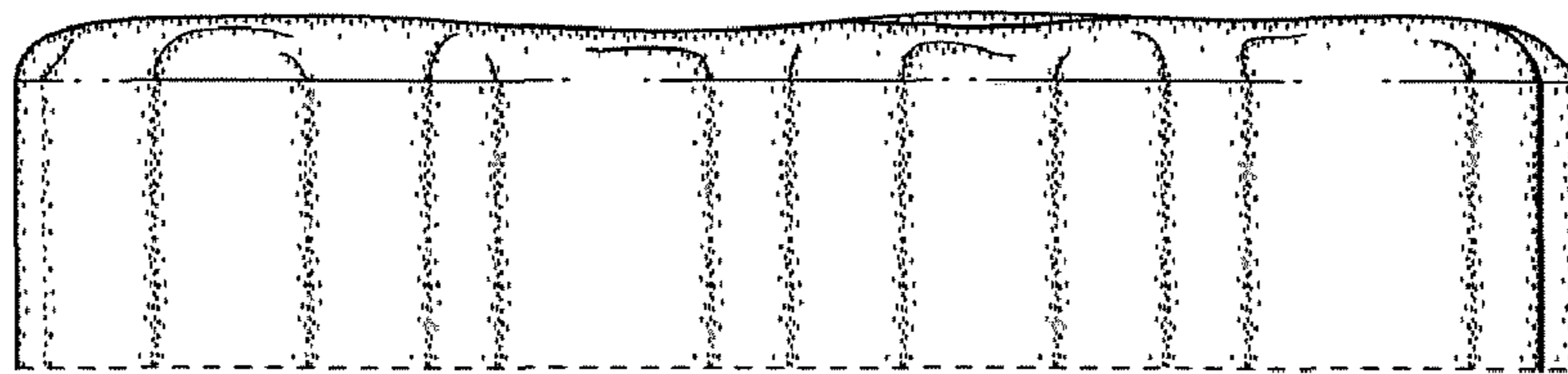


FIG. 3

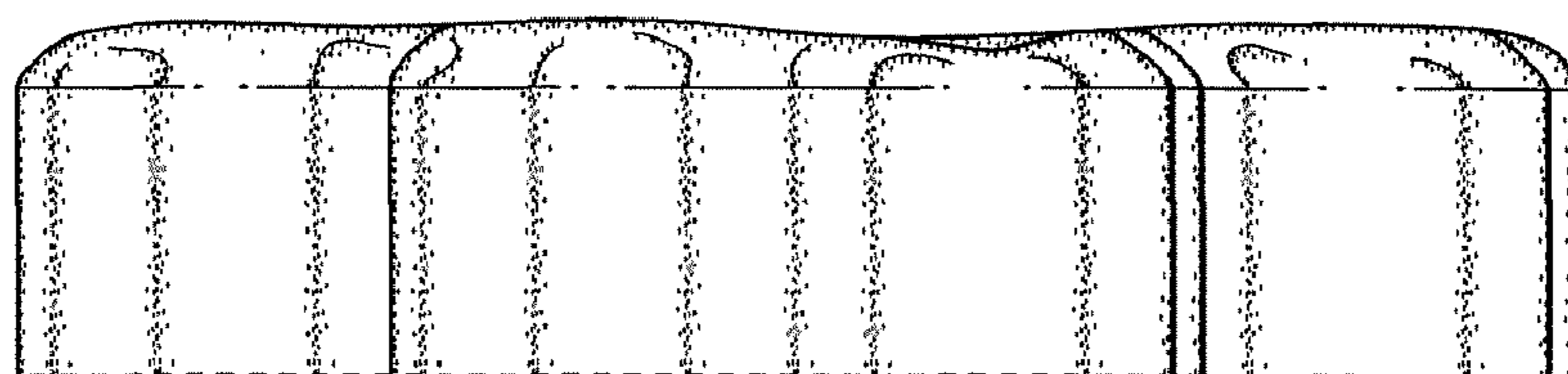


FIG. 4

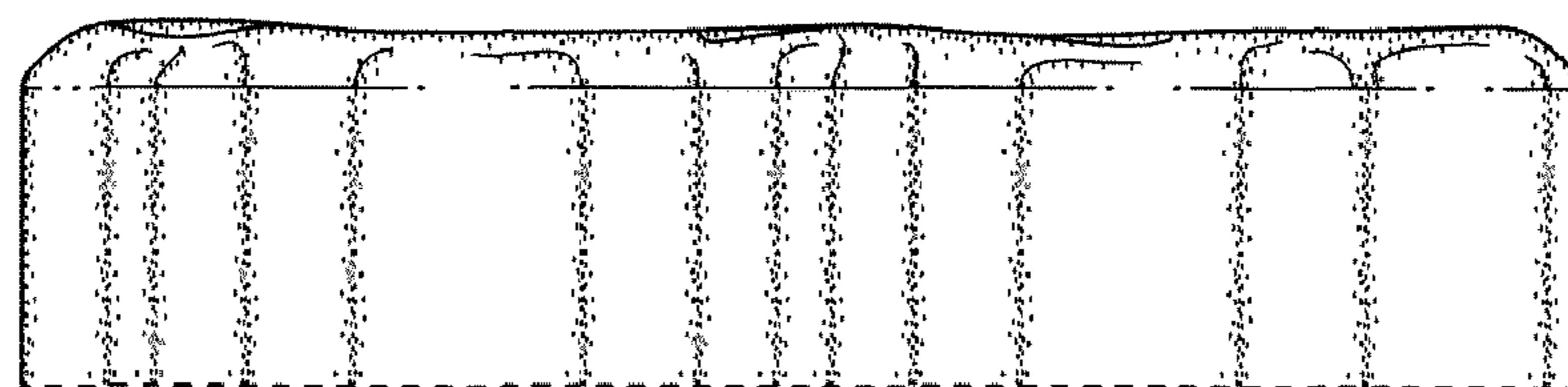


FIG. 5

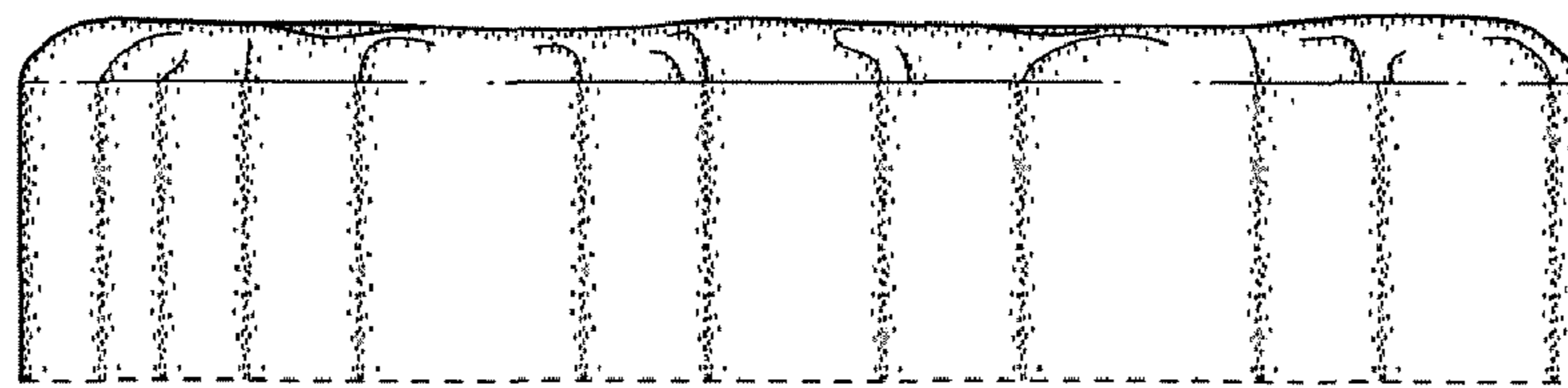


FIG. 6

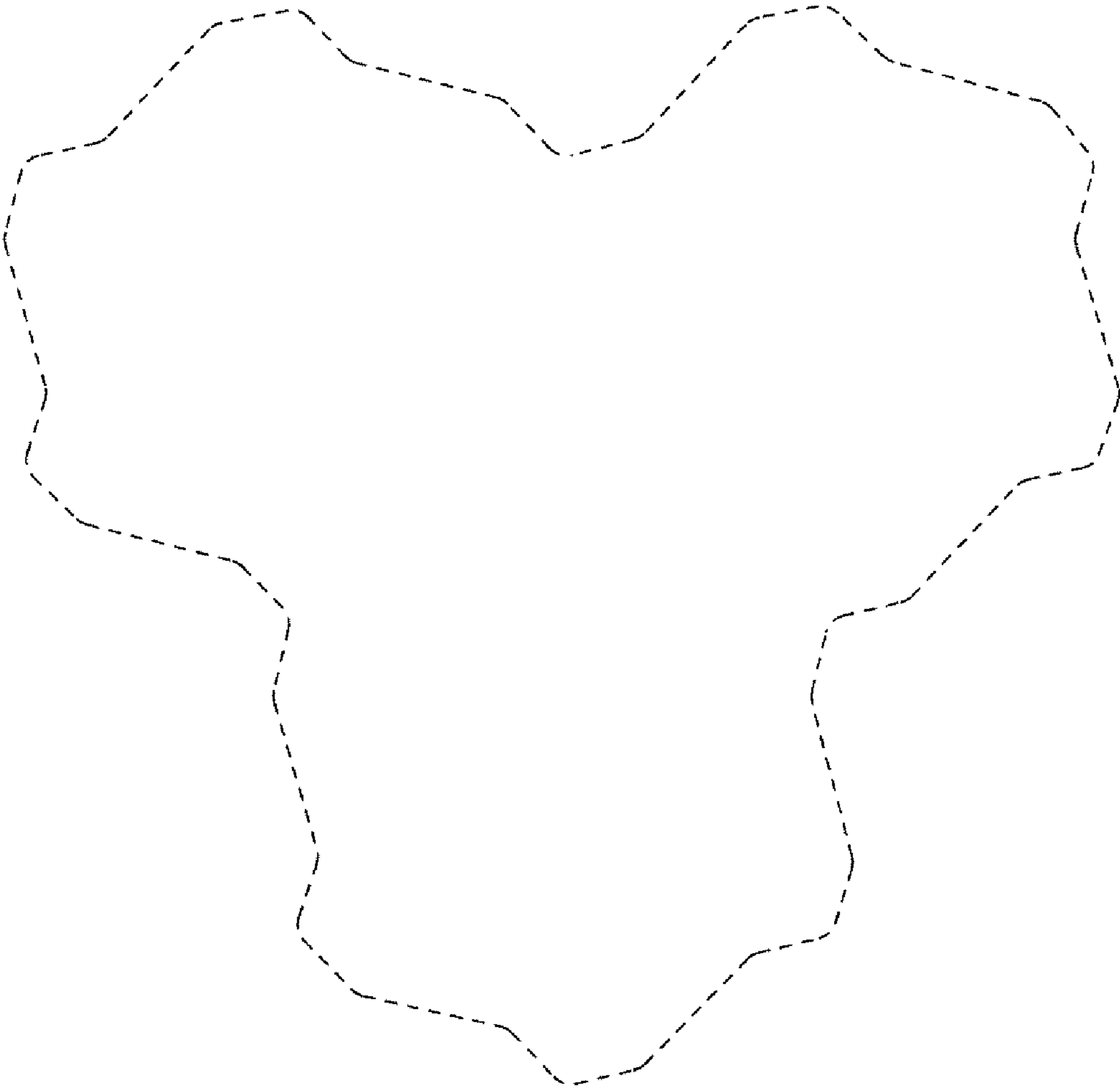


FIG. 7