



US00D664675S

(12) **United States Design Patent**  
**Ascari et al.**

(10) **Patent No.:** **US D664,675 S**  
(45) **Date of Patent:** **\*\* Jul. 31, 2012**

(54) **EDGE TRIM ELEMENT FOR THE CORNER OF A TILED WALL**

(75) Inventors: **Paola Ascari**, Modena (IT); **Alberto Zattin**, Modena (IT)

(73) Assignee: **Brix S.r.l.**, Sassuolo, Modena (IT)

(\*\*) Term: **14 Years**

(21) Appl. No.: **29/375,973**

(22) Filed: **Sep. 30, 2010**

(30) **Foreign Application Priority Data**

Apr. 2, 2010 (EM) ..... 001690546

(51) **LOC (9) Cl.** ..... **25-01**

(52) **U.S. Cl.** ..... **D25/102**

(58) **Field of Classification Search** ..... D25/199,  
D25/102; 52/236.6, 264, 271, 266, 272,  
52/281, 255, 287.1, 415, 474, 657, 716.1,  
52/846

See application file for complete search history.

(56) **References Cited**

U.S. PATENT DOCUMENTS

4,127,974 A \* 12/1978 Wendt ..... 52/287.1  
5,065,558 A \* 11/1991 Boatsman ..... 52/239  
D549,841 S \* 8/2007 Beard, Jr. .... D25/102  
2003/0140592 A1 \* 7/2003 Fjeld ..... 52/729.1  
2006/0005489 A1 \* 1/2006 Smythe ..... 52/287.1  
\* cited by examiner

*Primary Examiner* — Doris Clark

(74) *Attorney, Agent, or Firm* — Shoemaker and Mattare

(57) **CLAIM**

The ornamental design for an edge trim element for the corner of a tiled wall, as shown and described.

**DESCRIPTION**

FIG. 1 is a perspective of an edge trim element for the corner of a tiled wall, showing our new design from the front, right end and top;

FIG. 2 is a front elevational view thereof;

FIG. 3 is a rear elevational view thereof;

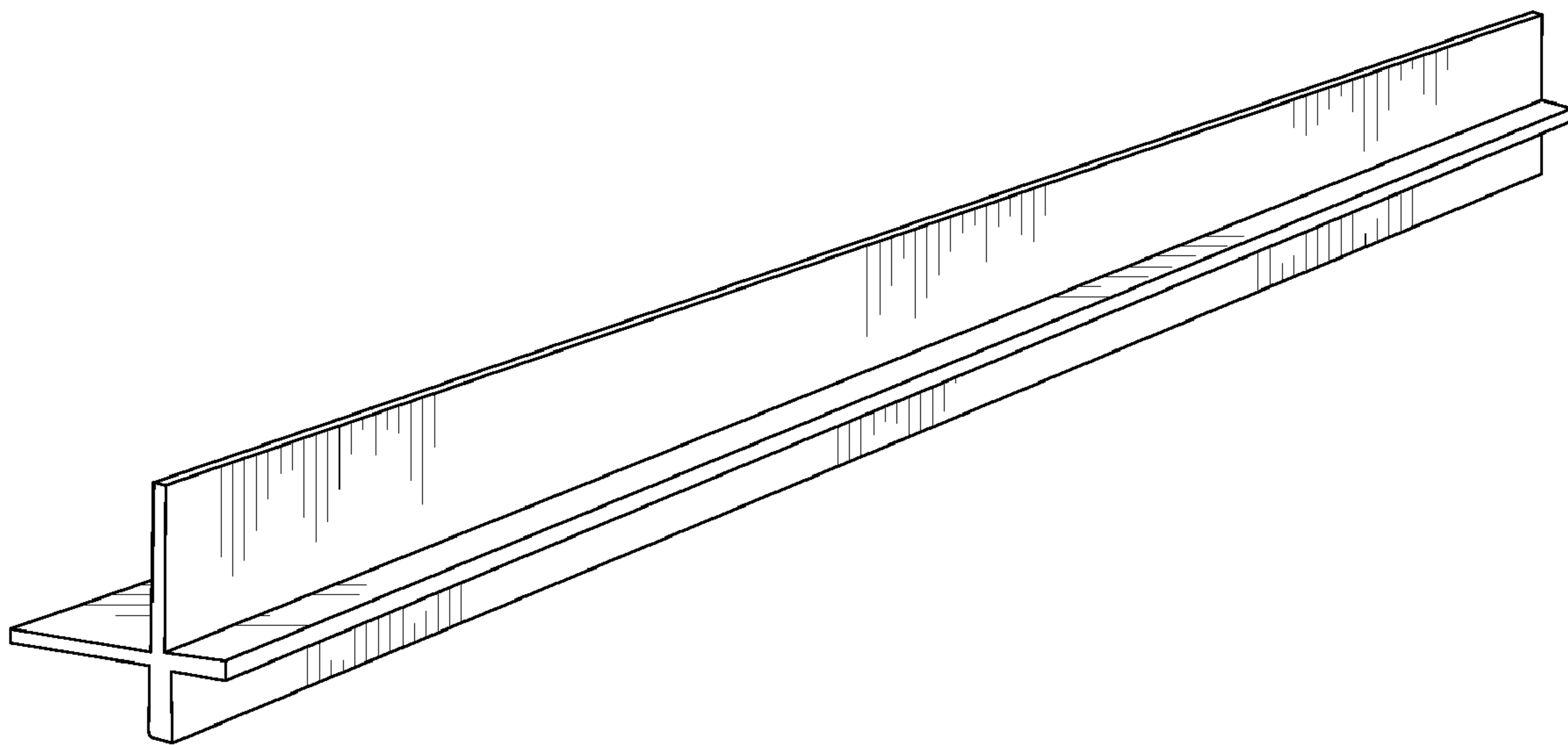
FIG. 4 is a right end view thereof;

FIG. 5 is a left end view thereof;

FIG. 6 is a bottom plan view thereof; and,

FIG. 7 is a top plan view thereof.

**1 Claim, 7 Drawing Sheets**



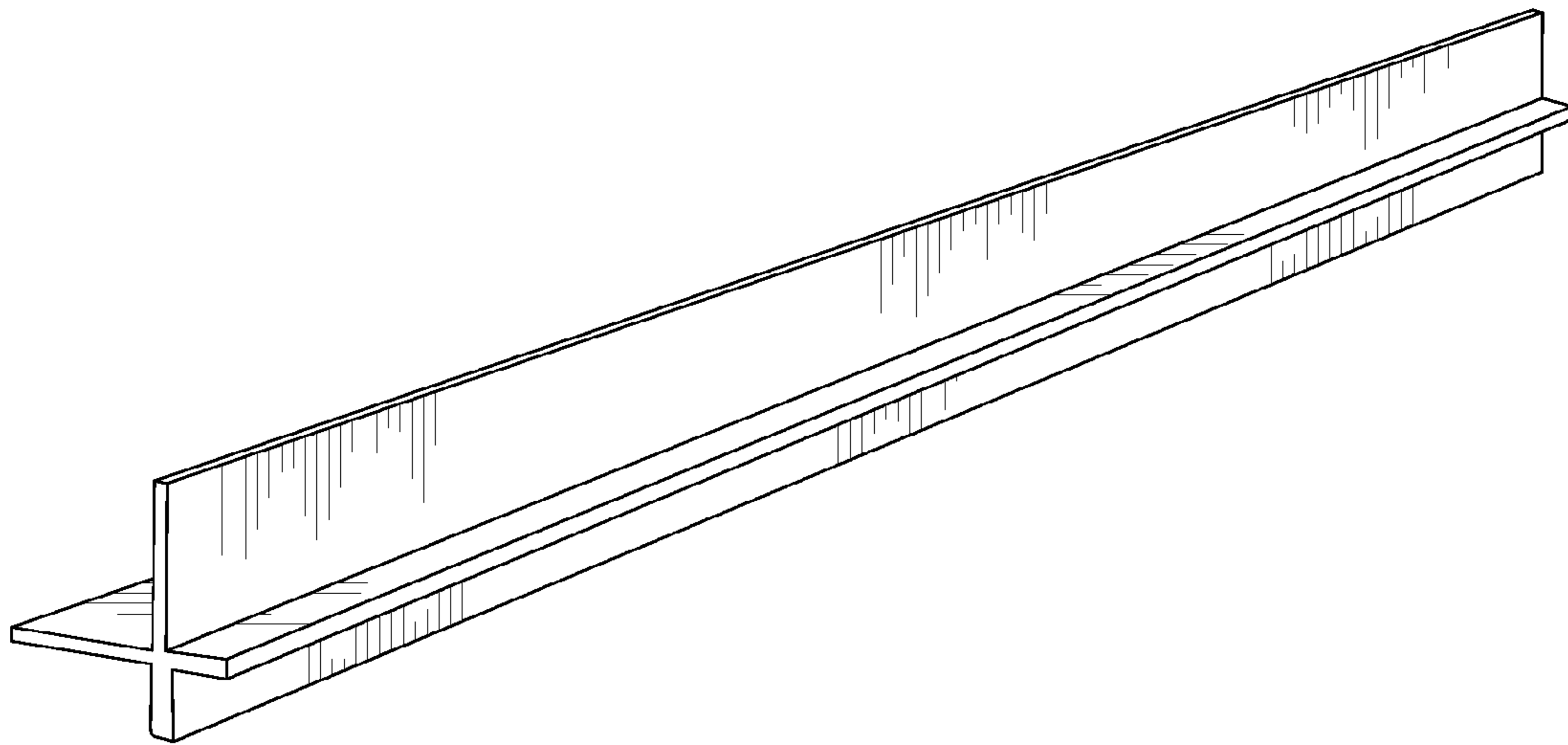


FIG. 1

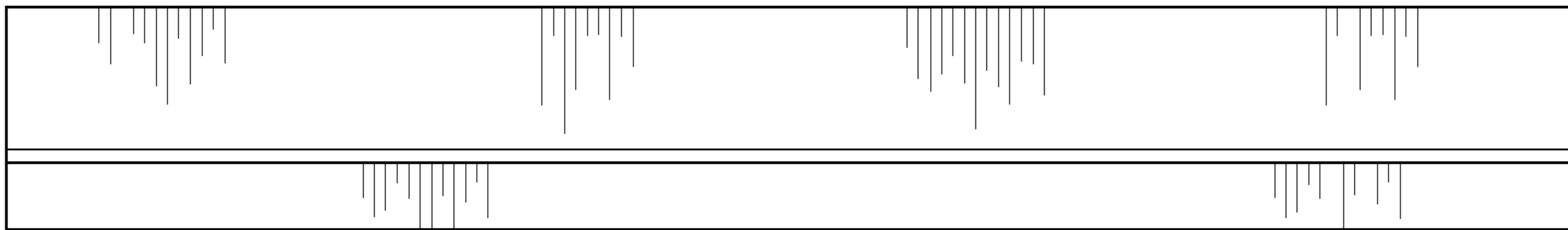


FIG. 2

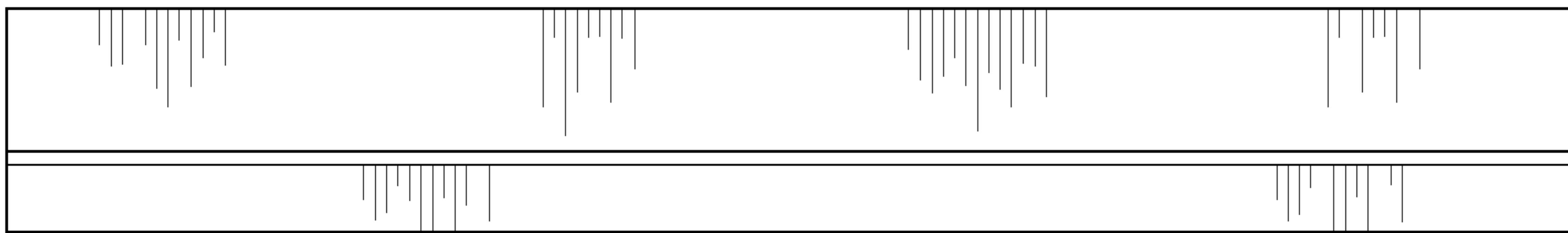


FIG. 3

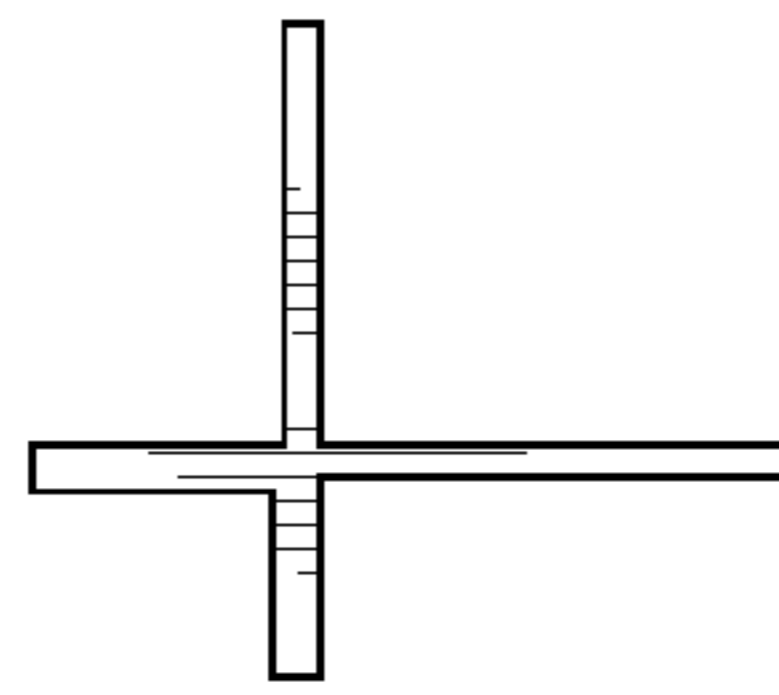


FIG. 4

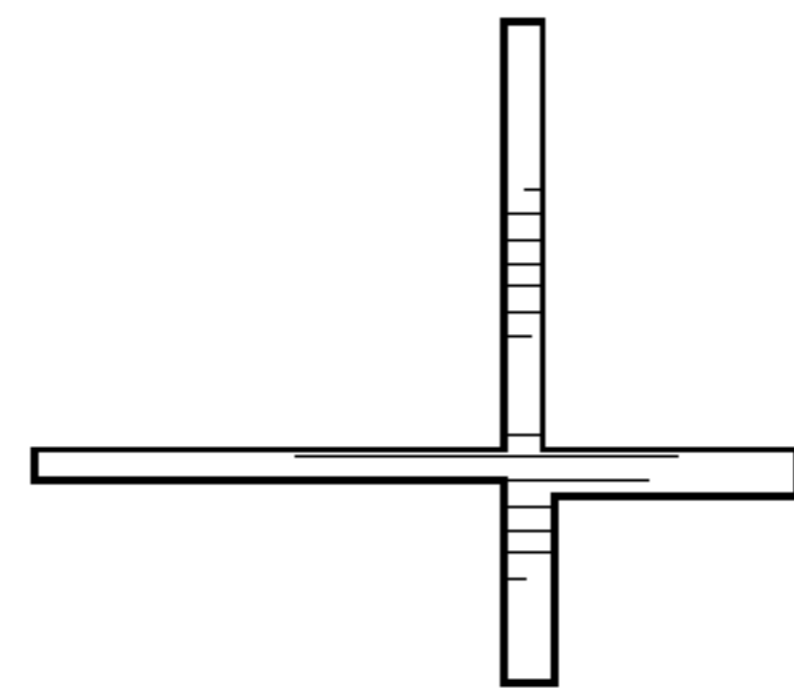


FIG. 5

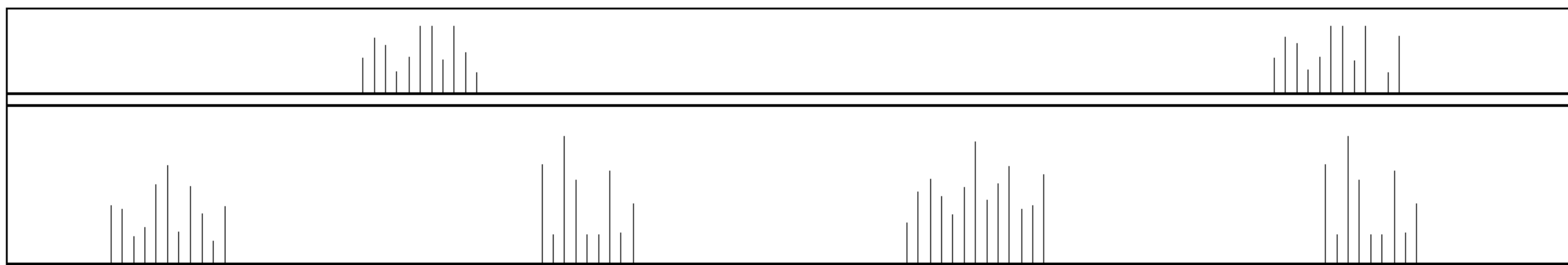


FIG. 6

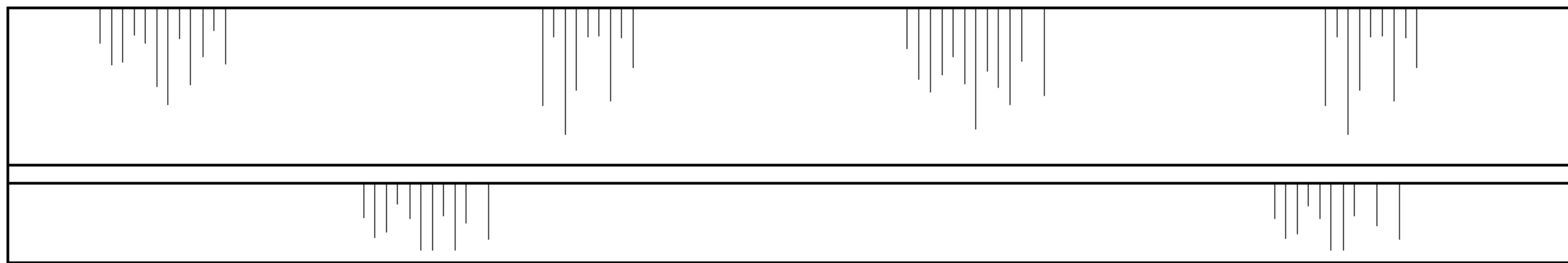


FIG. 7