



US00D664670S

(12) **United States Design Patent**
Schoonover et al.

(10) **Patent No.:** **US D664,670 S**
(45) **Date of Patent:** **** Jul. 31, 2012**

(54) **RETENTION CONNECTION EXTRUSION FOR A SEAL**

(76) Inventors: **James Schoonover**, Shelby Township, MI (US); **Vince McNish**, Fostoria, MI (US)

(**) Term: **14 Years**

(21) Appl. No.: **29/374,191**

(22) Filed: **Jul. 12, 2011**

Related U.S. Application Data

(62) Division of application No. 29/373,277, filed on Mar. 24, 2011.

(51) **LOC (9) Cl.** **25-02**

(52) **U.S. Cl.** **D25/48.2; D25/121**

(58) **Field of Classification Search** D25/121, D25/48.2; 52/364, 376, 396.04, 396.08, 52/419, 422, 471, 476, 762, 344, 361, 393, 52/416, 417, 459, 464, 465, 481.1; 49/466, 49/472, 475.1, 483.1, 489.1, 490.1, 492.1, 49/499.1

See application file for complete search history.

(56) **References Cited**

U.S. PATENT DOCUMENTS

D134,792	S	*	1/1943	Beil	D25/48.2
3,125,192	A	*	3/1964	Ramseur, Jr.	52/582.1
3,659,382	A	*	5/1972	Dixon	49/480.1
4,033,084	A	*	7/1977	Shiflet	52/396.04
4,119,325	A	*	10/1978	Oakley et al.	277/642
5,531,455	A	*	7/1996	Calixto	277/646
D388,183	S	*	12/1997	Payton et al.	D25/121
5,840,401	A	*	11/1998	Baesecke	428/122
5,888,017	A	*	3/1999	Corrie	404/64

6,219,982 B1 * 4/2001 Eyring 52/396.04
7,841,636 B2 * 11/2010 Huth et al. 296/1.08
2006/0283117 A1 * 12/2006 Williams et al. 52/393

* cited by examiner

Primary Examiner — Doris Clark

(74) *Attorney, Agent, or Firm* — Warn Partners, P.C.

(57) **CLAIM**

The ornamental design for a retention connection extrusion for a seal, as shown and described.

DESCRIPTION

FIG. 1 is a perspective view of a retention connection extrusion for a seal, in accordance with the present invention;

FIG. 2 is a front elevation view of the retention connection extrusion for a seal of FIG. 1 shown in a position of use as part of a fit and function retention gauge structure drawn in broken line that forms no part of the claimed ornamental design;

FIG. 3 is a front elevation view of the retention connection extrusion for a seal of FIGS. 1-2, in accordance with the present invention;

FIG. 4 is a side elevation view of the retention connection extrusion for a seal of FIGS. 1-3, in accordance with the present invention;

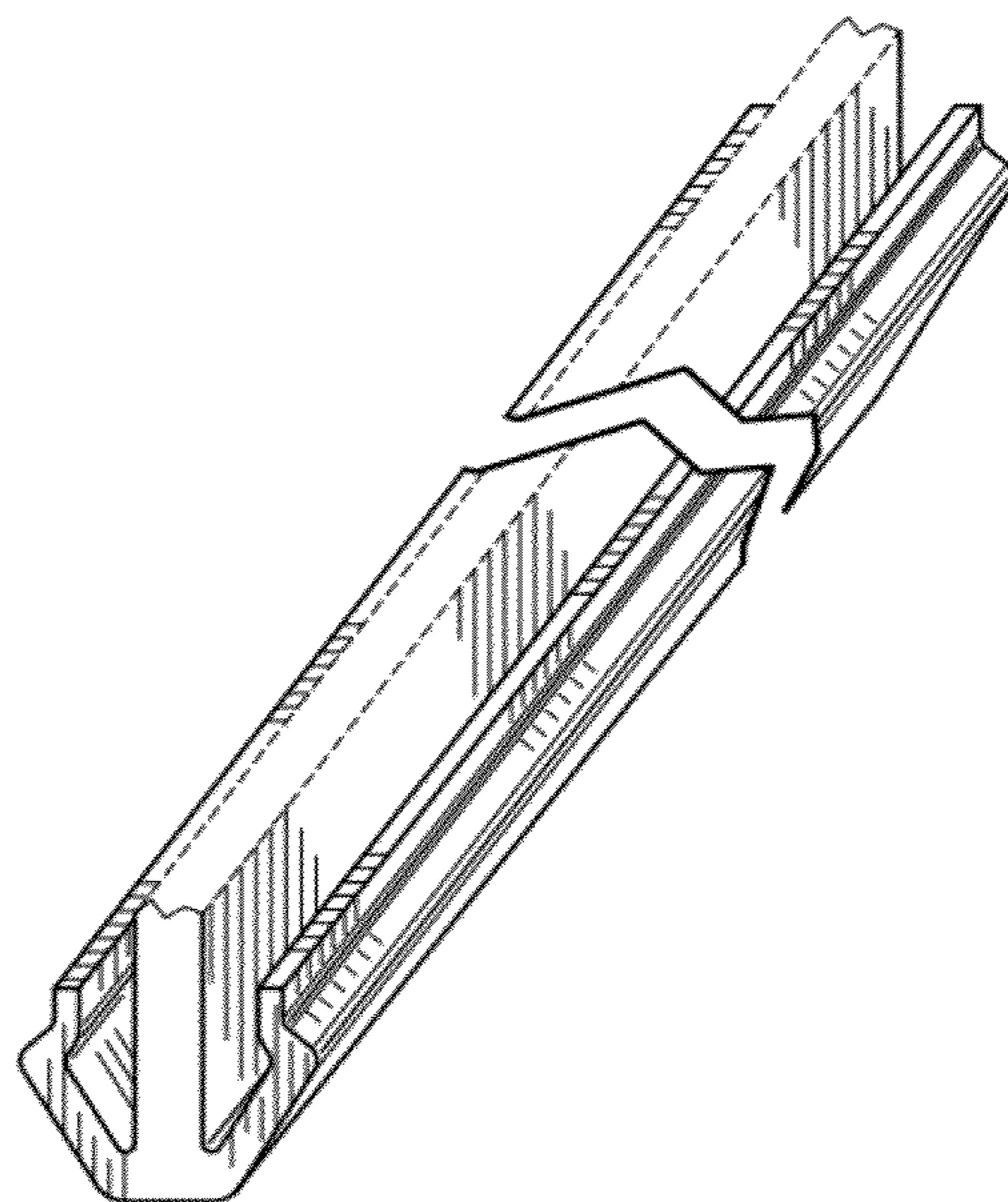
FIG. 5 is a top plan view of the retention connection extrusion for a seal of FIGS. 1-4, in accordance with the present invention;

FIG. 6 is a second side elevation view of the retention connection extrusion for a seal of FIGS. 1-5, in accordance with the present invention;

FIG. 7 is a bottom plan view of the retention connection extrusion for a seal of FIGS. 1-6, in accordance with the present invention; and,

FIG. 8 is a rear elevation view of the retention connection extrusion for a seal of FIGS. 1-7, in accordance with the present invention.

1 Claim, 3 Drawing Sheets



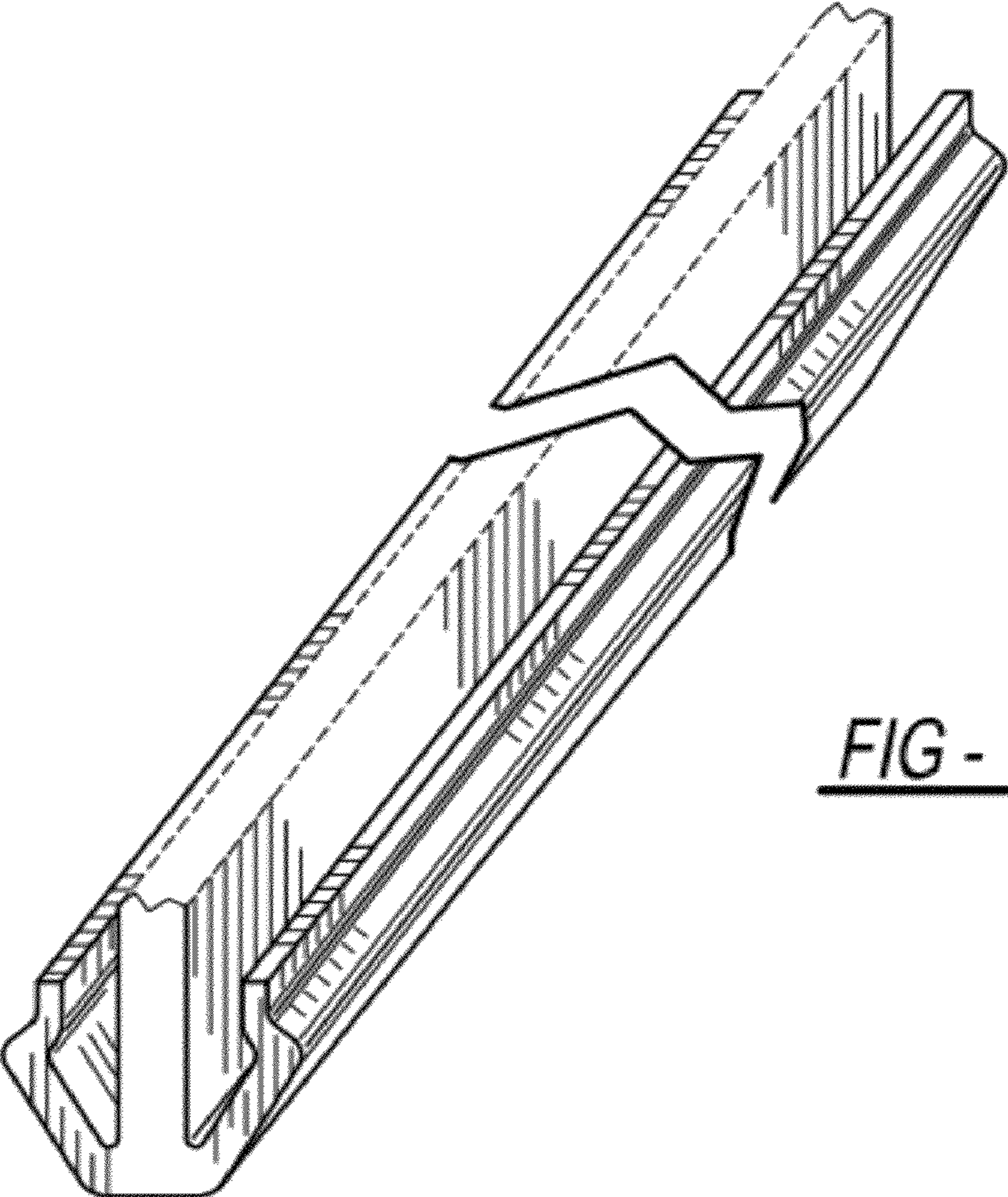


FIG - 1

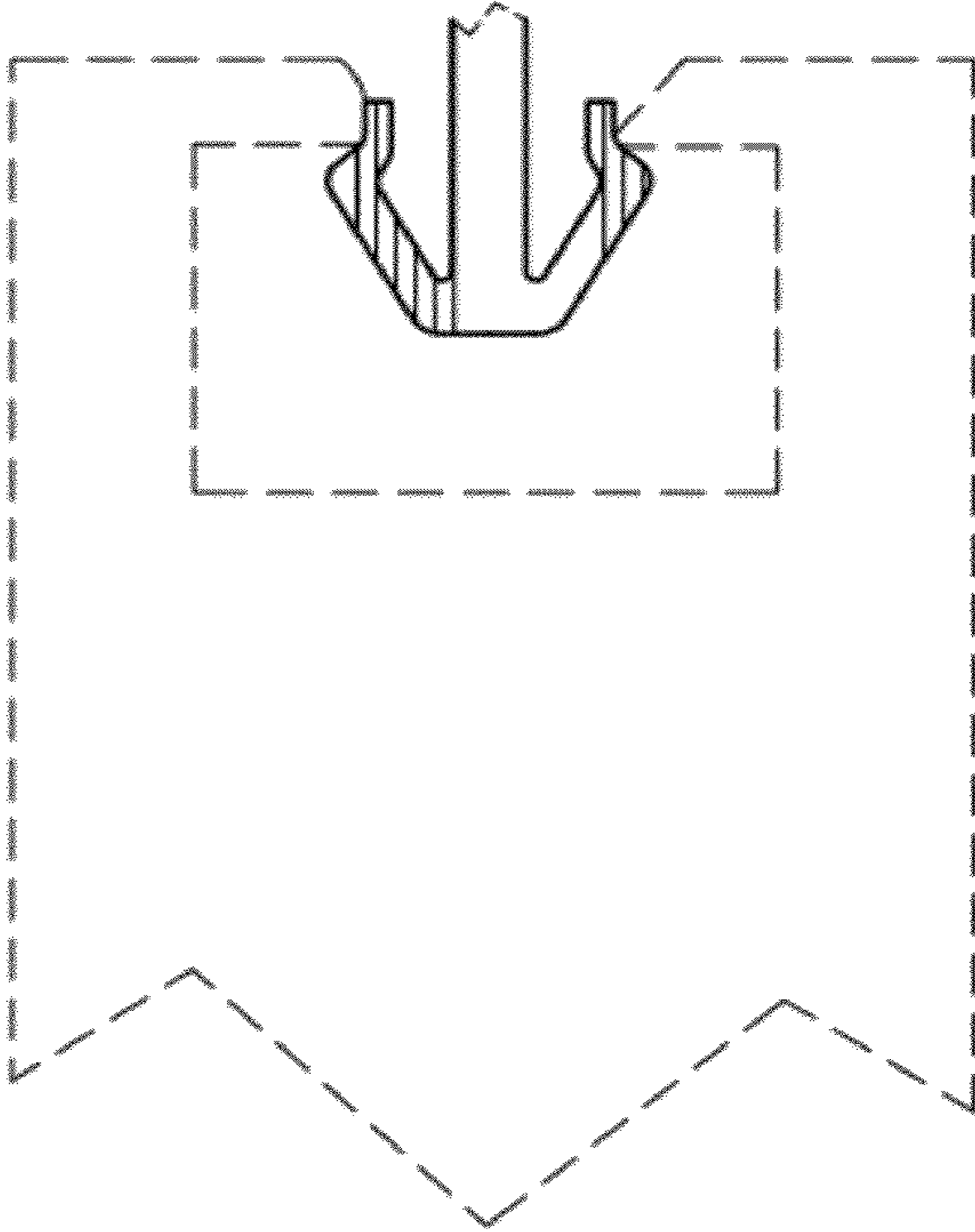


FIG - 2

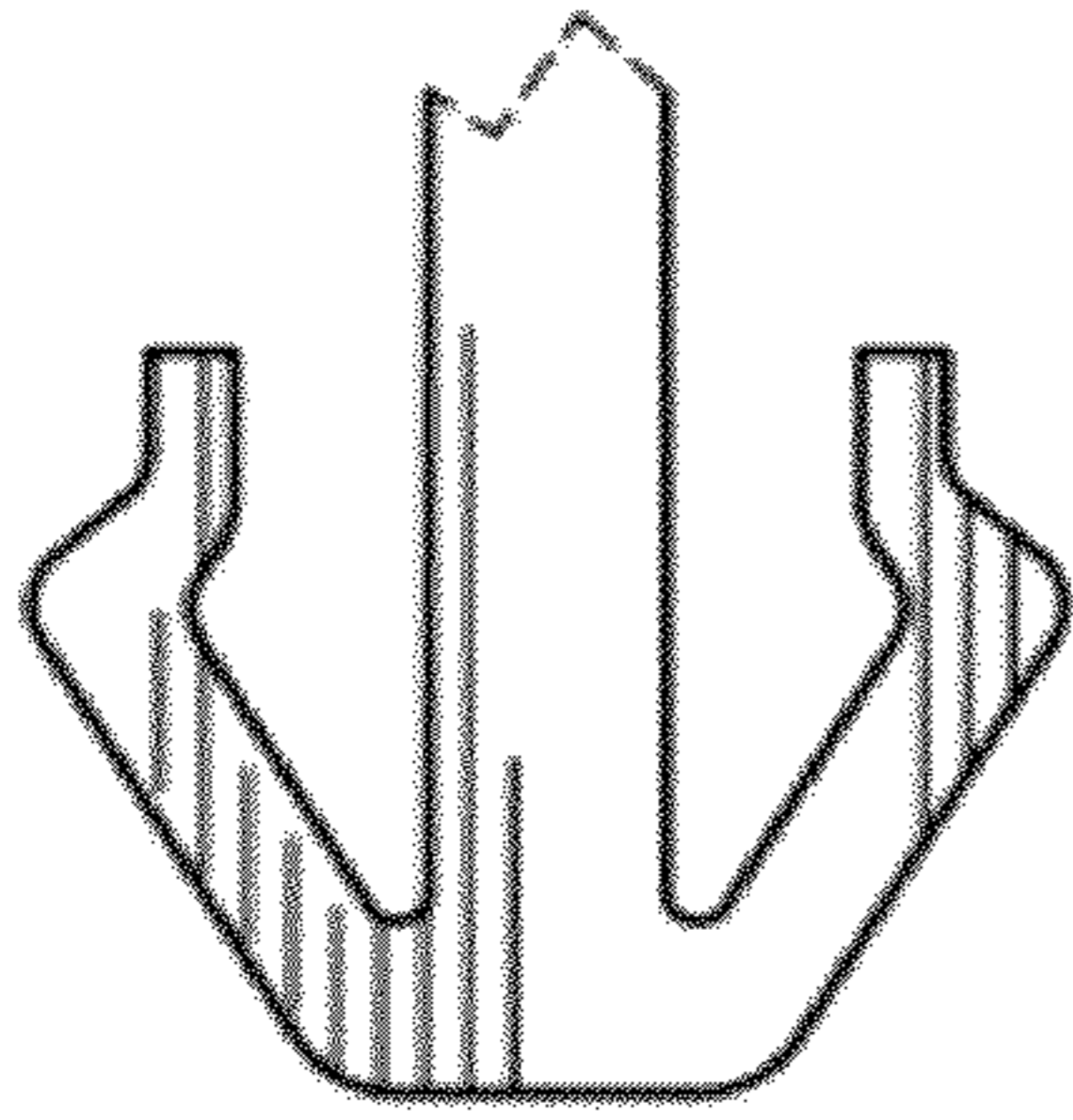


FIG - 3

FIG - 4

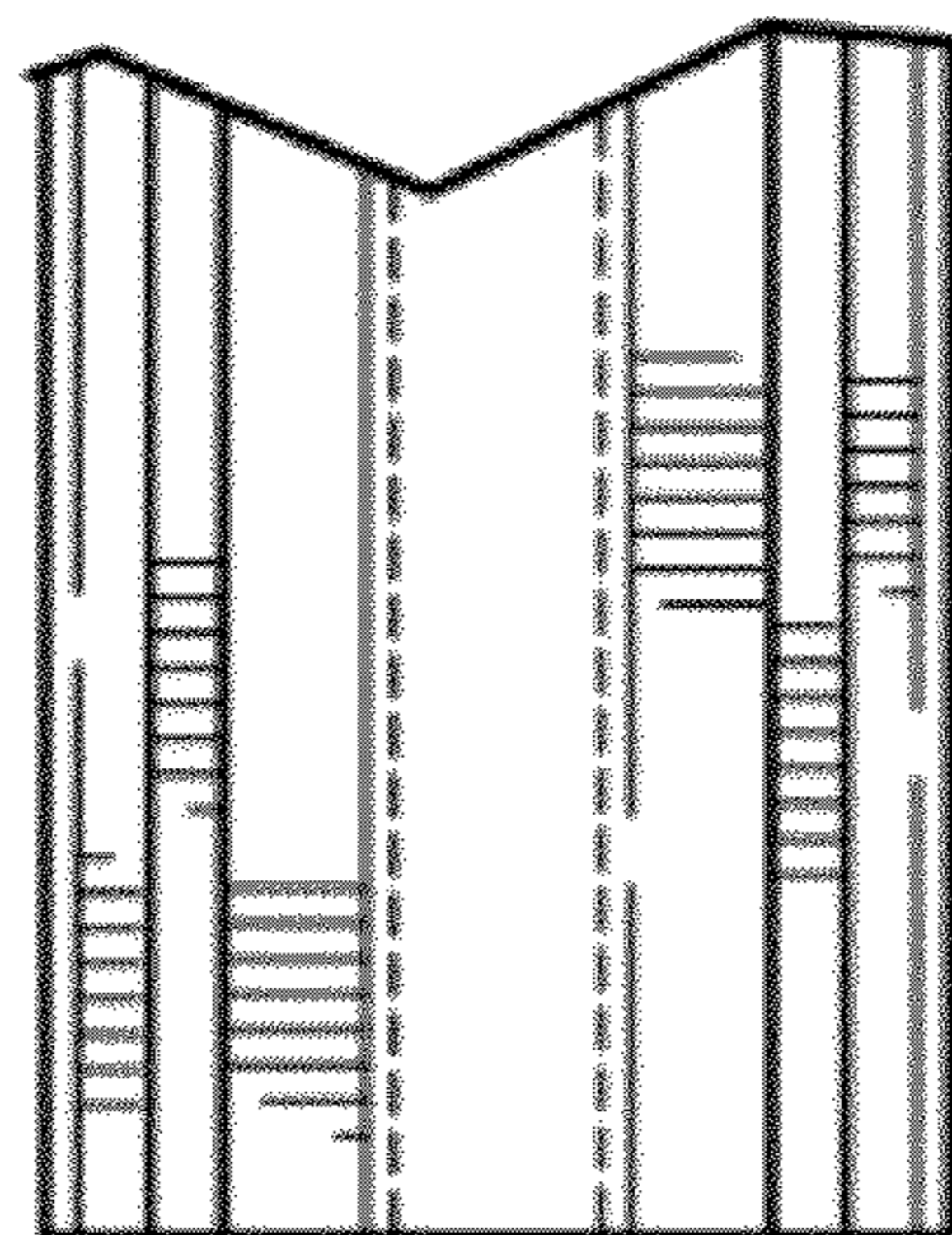
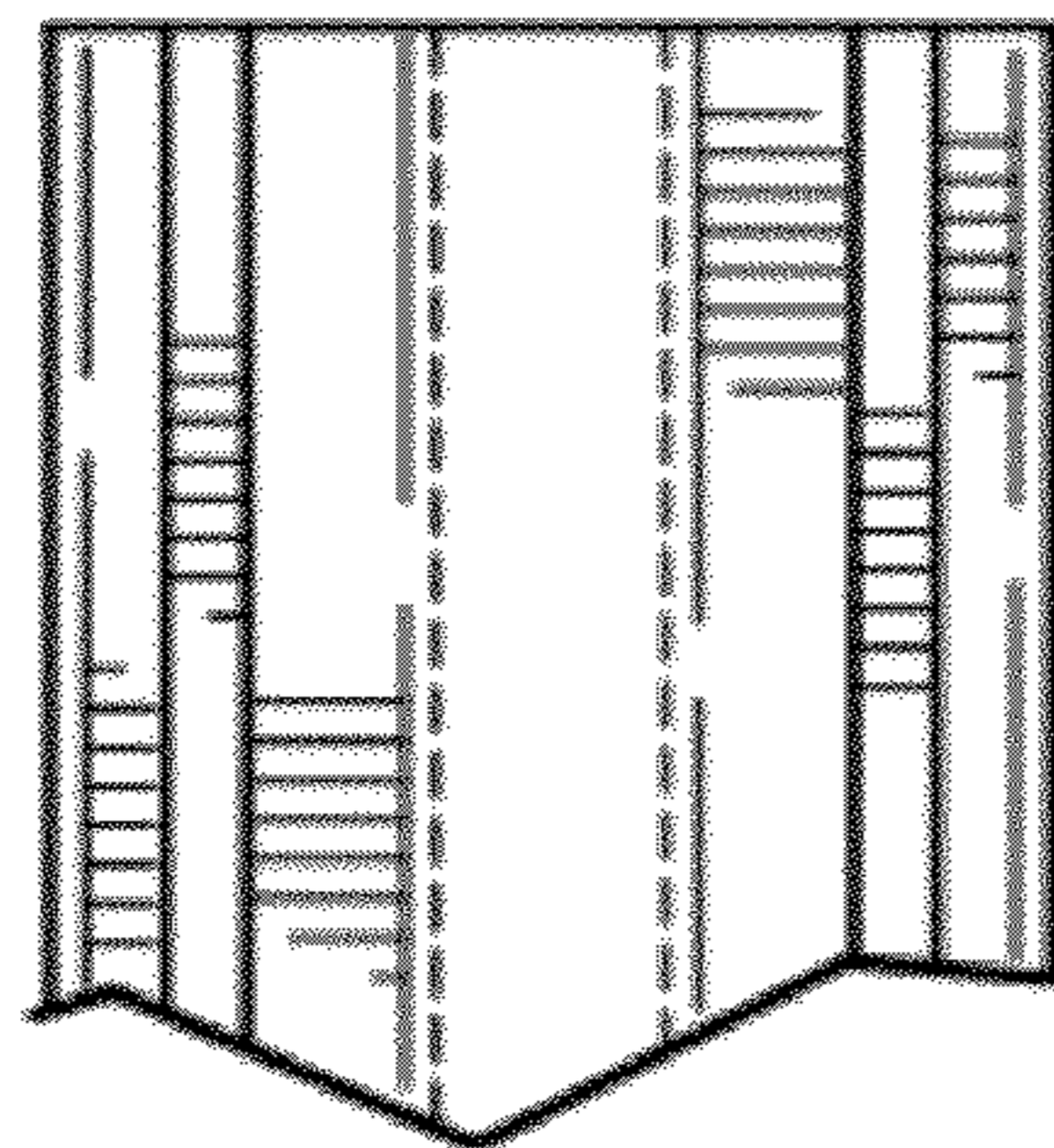
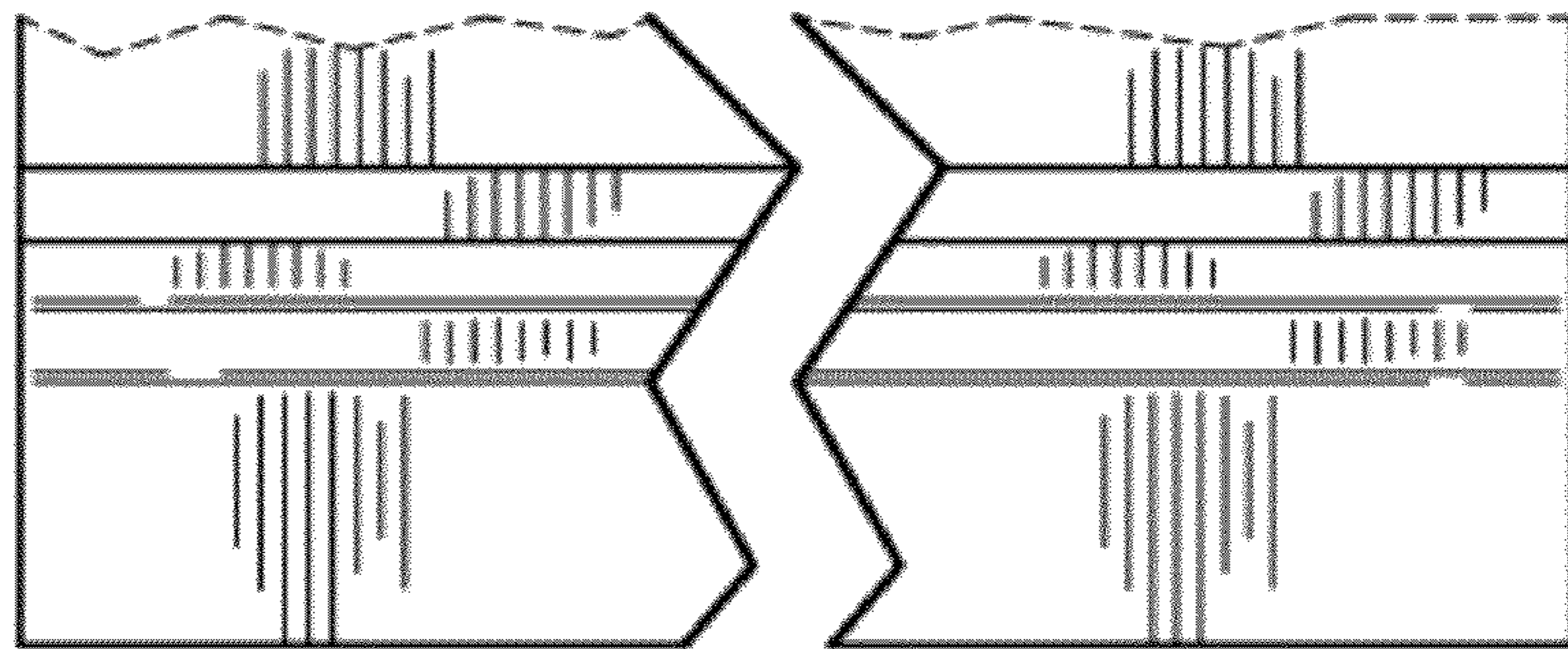


FIG - 5

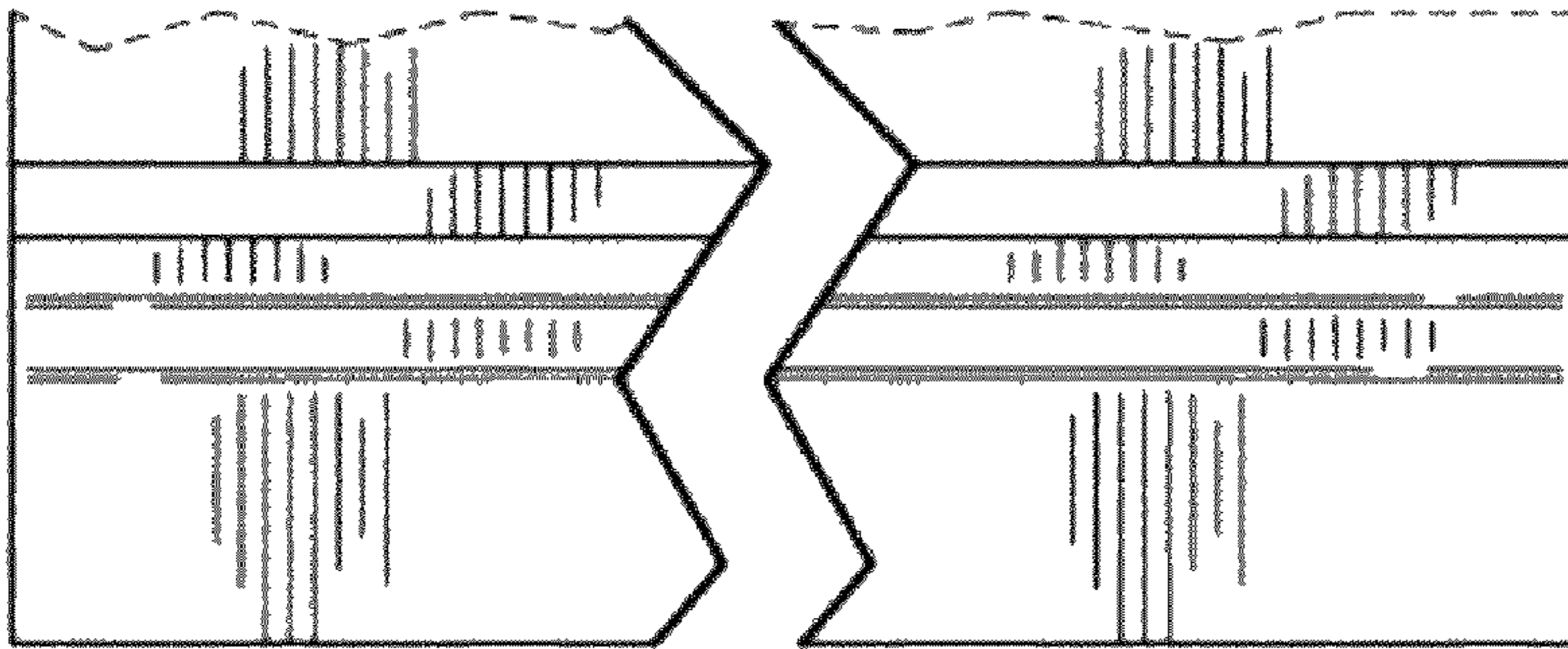


FIG - 6

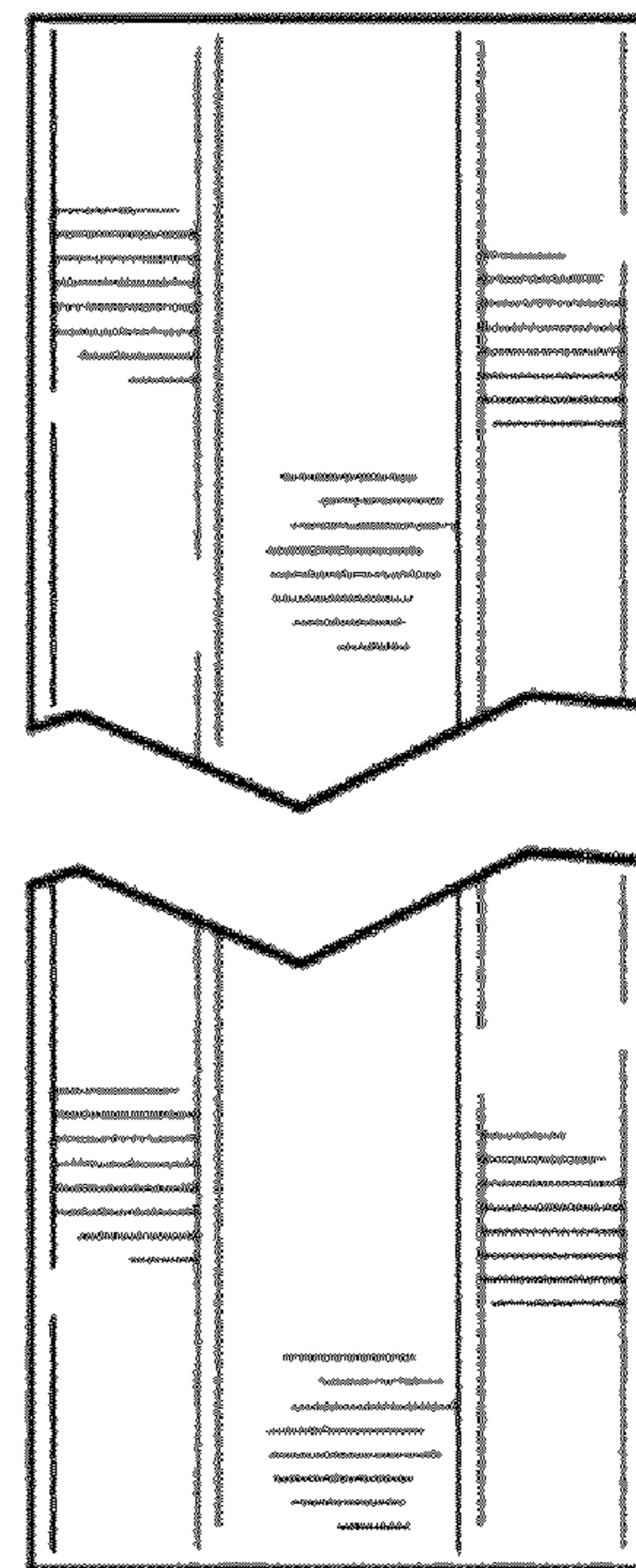


FIG - 7

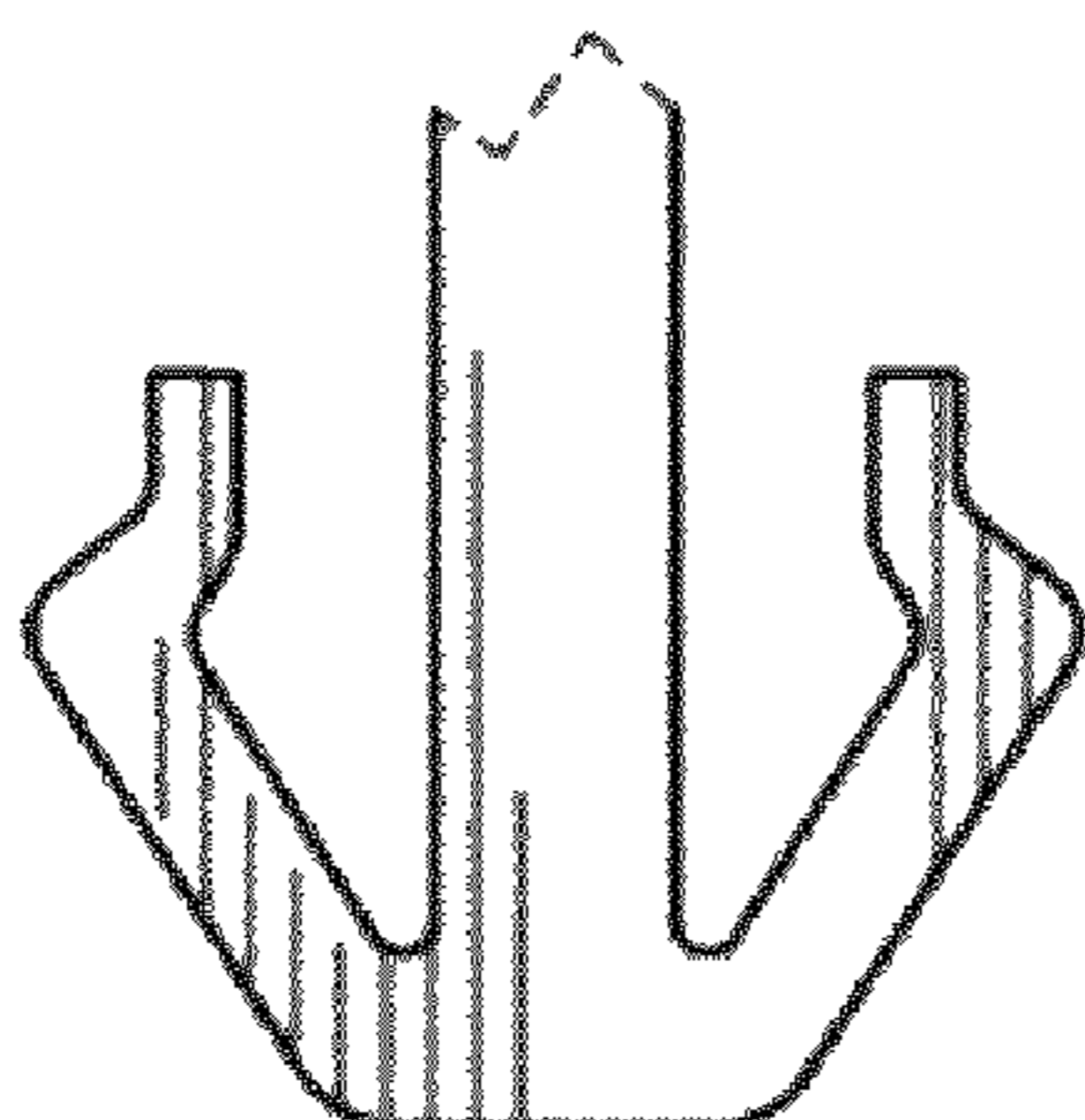


FIG - 8