



US00D664667S

(12) **United States Design Patent**
Krymov et al.

(10) **Patent No.:** **US D664,667 S**
(45) **Date of Patent:** **** Jul. 31, 2012**

(54) **MODULAR SLEEPING UNIT**
(75) Inventors: **Mikhail D. Krymov**, Moscow (RU);
Aleksei V. Goriainov, Moskosvskaya
oblast (RU)

(73) Assignee: **Obshchestvo S Ogranichennoi**
Otvetstvennost' u "Arch Group",
Moscow (RU)

(**) Term: **14 Years**

(21) Appl. No.: **29/375,064**

(22) Filed: **Sep. 16, 2010**

(30) **Foreign Application Priority Data**

May 19, 2010 (RU) 2010501345
(51) **LOC (9) Cl.** **25-03**
(52) **U.S. Cl.** **D25/16**
(58) **Field of Classification Search** D25/1,
D25/16, 17, 18, 33; 52/2.1, 9.1, 34, 36.1,
52/36.2, 79.1, 79.4, 236
See application file for complete search history.

(56) **References Cited**

U.S. PATENT DOCUMENTS

2,607,047	A *	8/1952	Posey	109/23
3,553,911	A *	1/1971	Morrow	52/28
3,778,528	A *	12/1973	Heifetz et al.	52/220.2
3,923,134	A *	12/1975	Rezazadeh	194/241
4,243,260	A *	1/1981	Giesecking	296/24.33
4,395,785	A *	8/1983	Huh	5/2.1
4,594,817	A *	6/1986	McLaren et al.	52/34
4,745,643	A *	5/1988	Clarke	5/9.1
5,806,248	A *	9/1998	Kim	52/36.1

6,178,701	B1 *	1/2001	De Paepe et al.	52/36.2
6,467,221	B1 *	10/2002	Bigelow	52/2.17
6,981,347	B1 *	1/2006	Walburger	52/79.1
D583,963	S *	12/2008	Perez Lazala	D25/16
7,533,942	B2 *	5/2009	Kennedy et al.	299/12

* cited by examiner

Primary Examiner — T. Chase Nelson
Assistant Examiner — Kathleen M Sims

(74) *Attorney, Agent, or Firm* — Houston Eliseeva, LLP

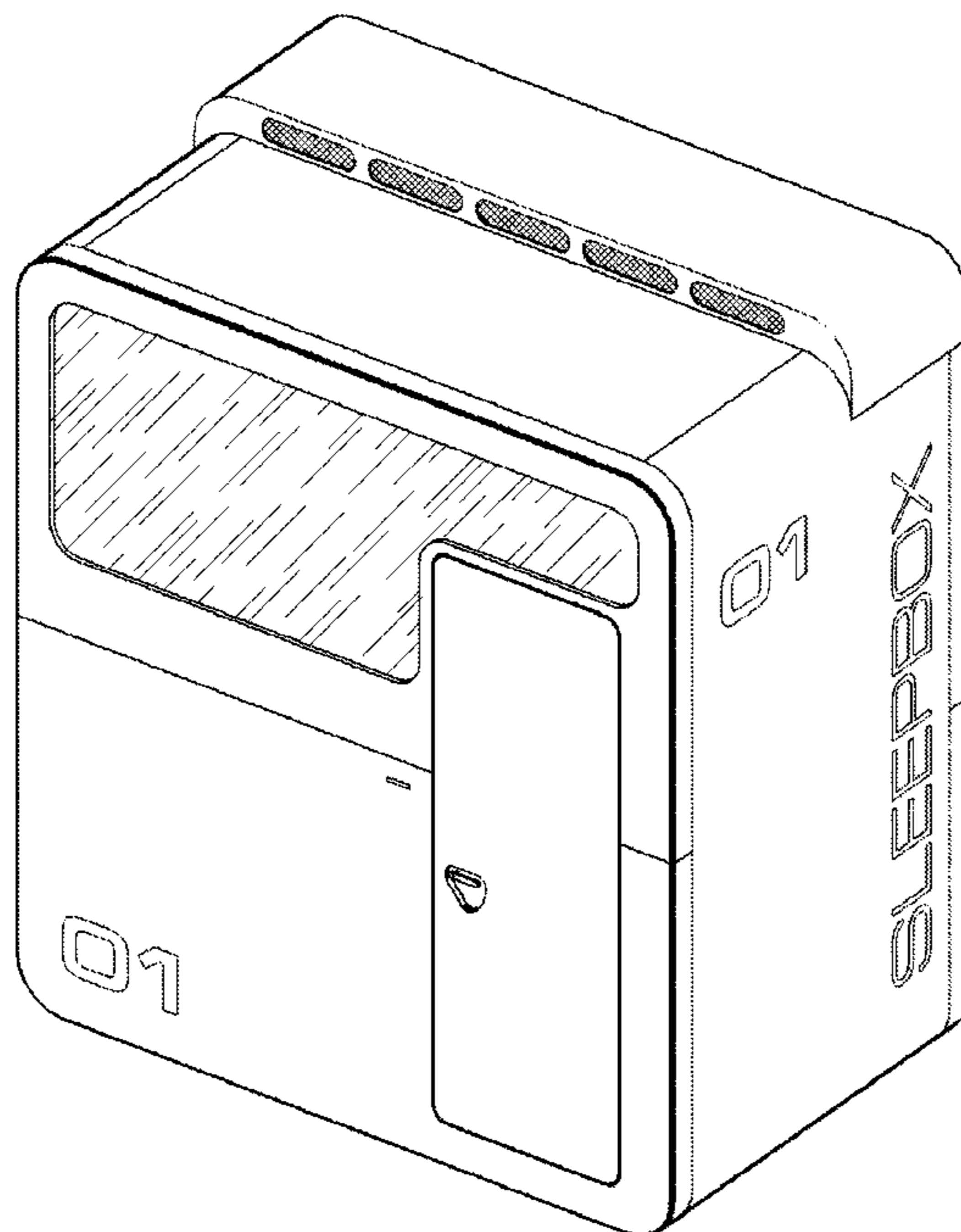
(57) **CLAIM**

The ornamental design for a modular sleeping unit, as shown and described.

DESCRIPTION

FIG. 1 is a perspective view of a modular sleeping unit showing our new design;
FIG. 2 is a front view thereof;
FIG. 3 is a rear view thereof;
FIG. 4 is a right side view thereof;
FIG. 5 is a left side view thereof;
FIG. 6 is a cross-sectional view at 6-6 in FIGS. 4 and 5;
FIG. 7 is a cross-sectional view at 7-7 in FIGS. 4 and 5 showing the desk in a closed position;
FIG. 8 is an internal perspective view thereof facing the right internal wall of the modular sleeping unit showing the desk in an open position; and,
FIG. 9 is an internal perspective view thereof facing the left internal wall of the modular sleeping unit showing the desk in an open position.
The broken line showing of window shades in FIGS. 6, 7, 8, and 9 is included for the purpose of showing environmental portions of the modular sleeping unit and forms no part of the claimed design.

1 Claim, 9 Drawing Sheets



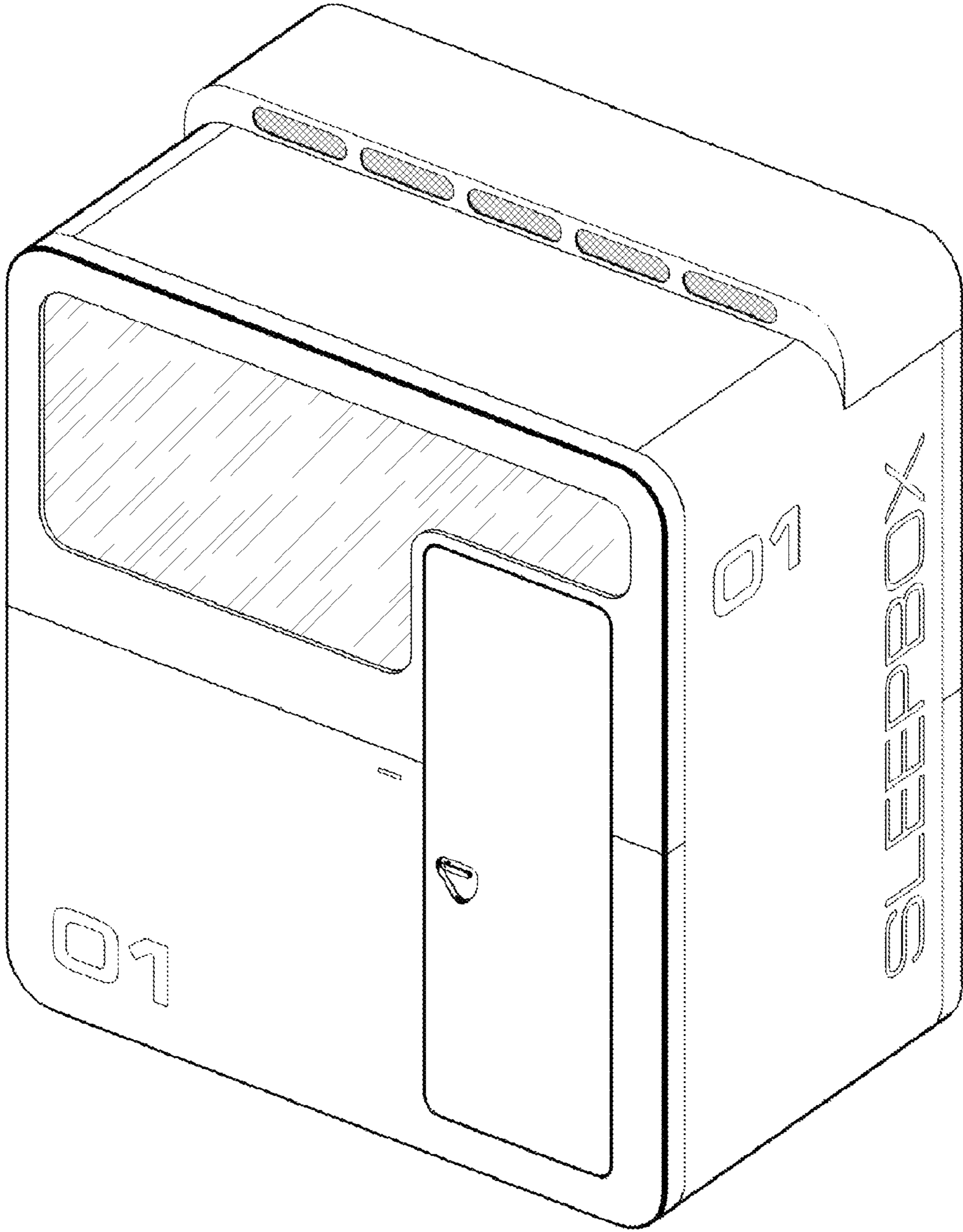


Fig. 1

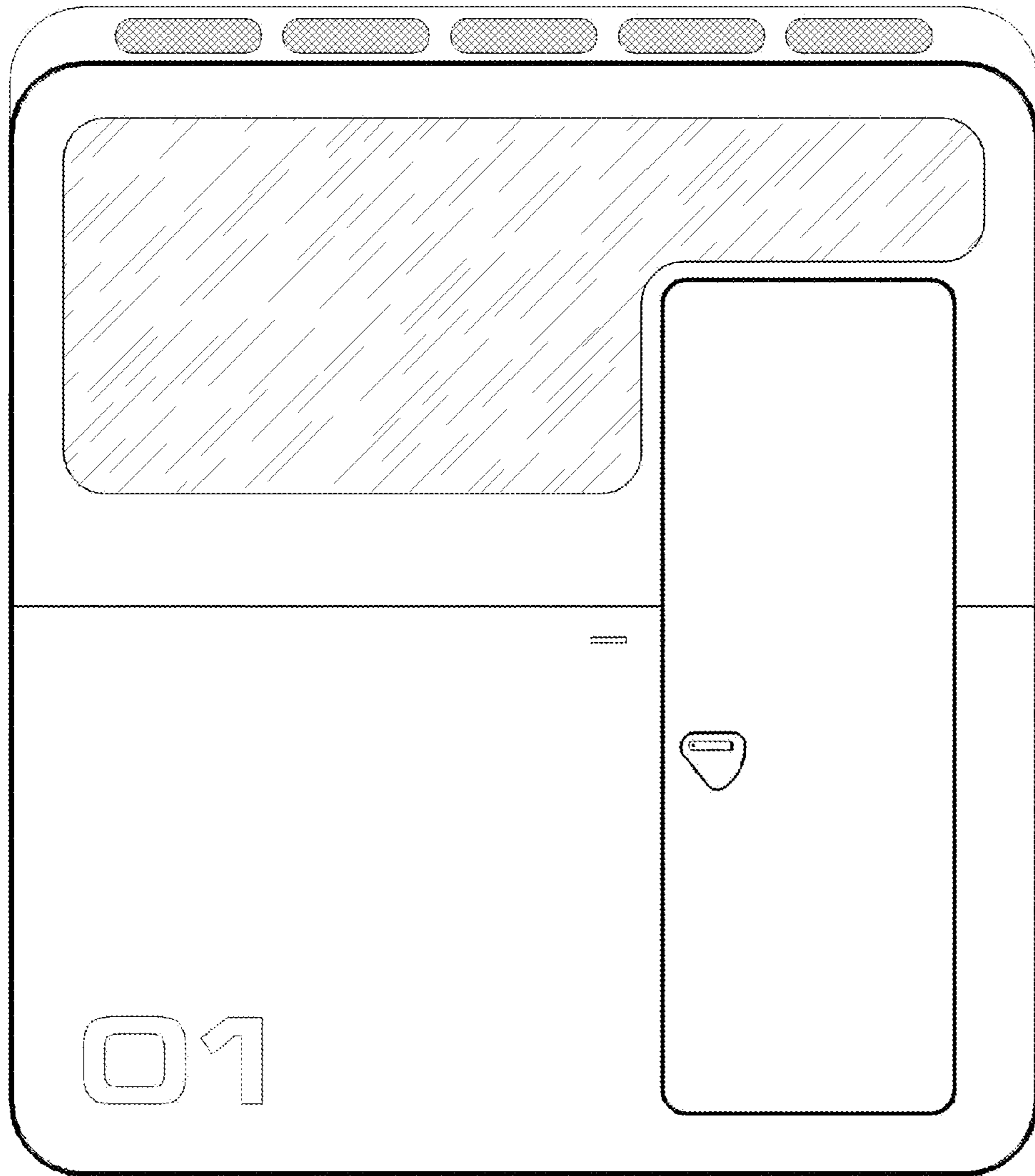
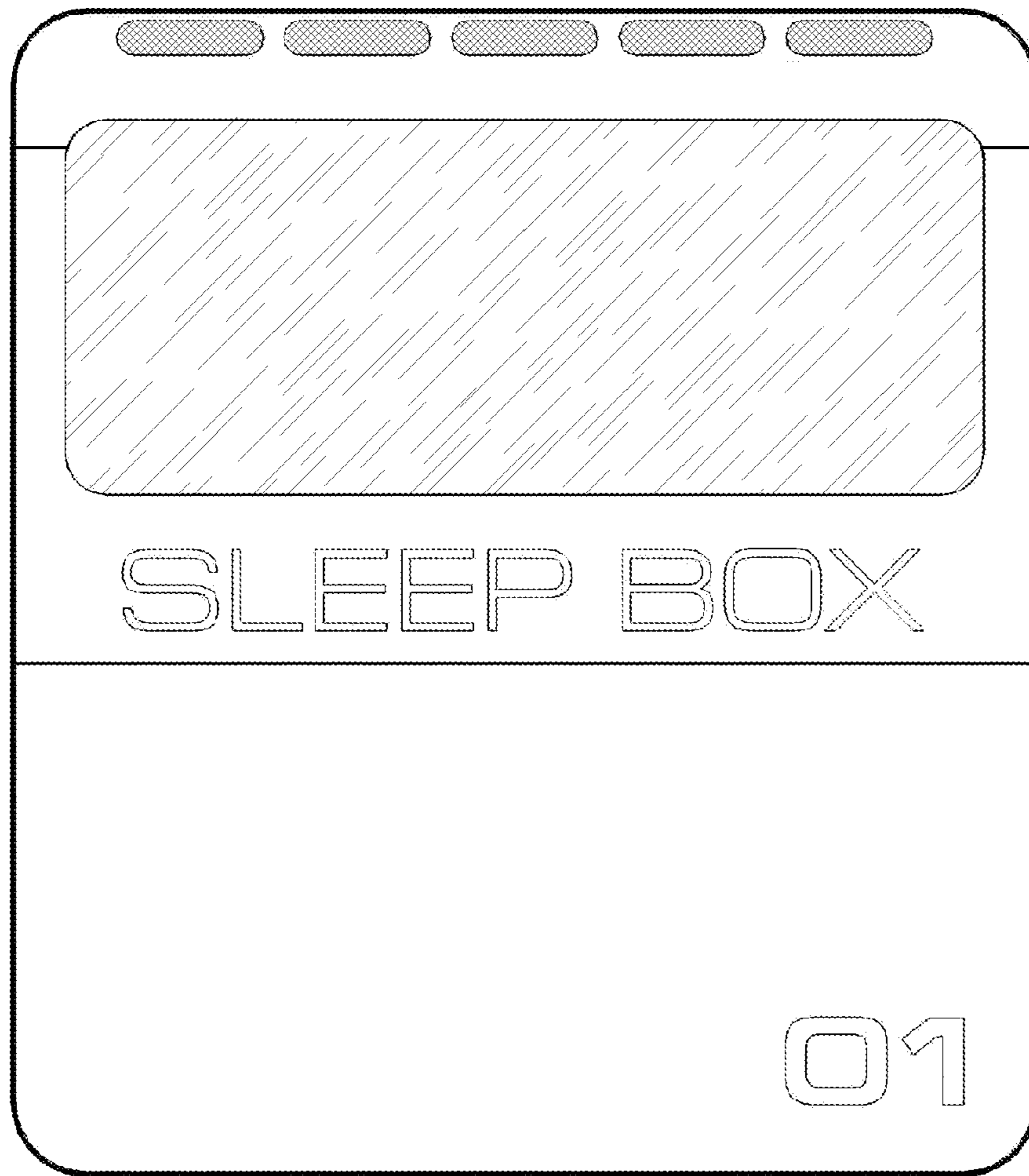


Fig. 2

FIG. 3



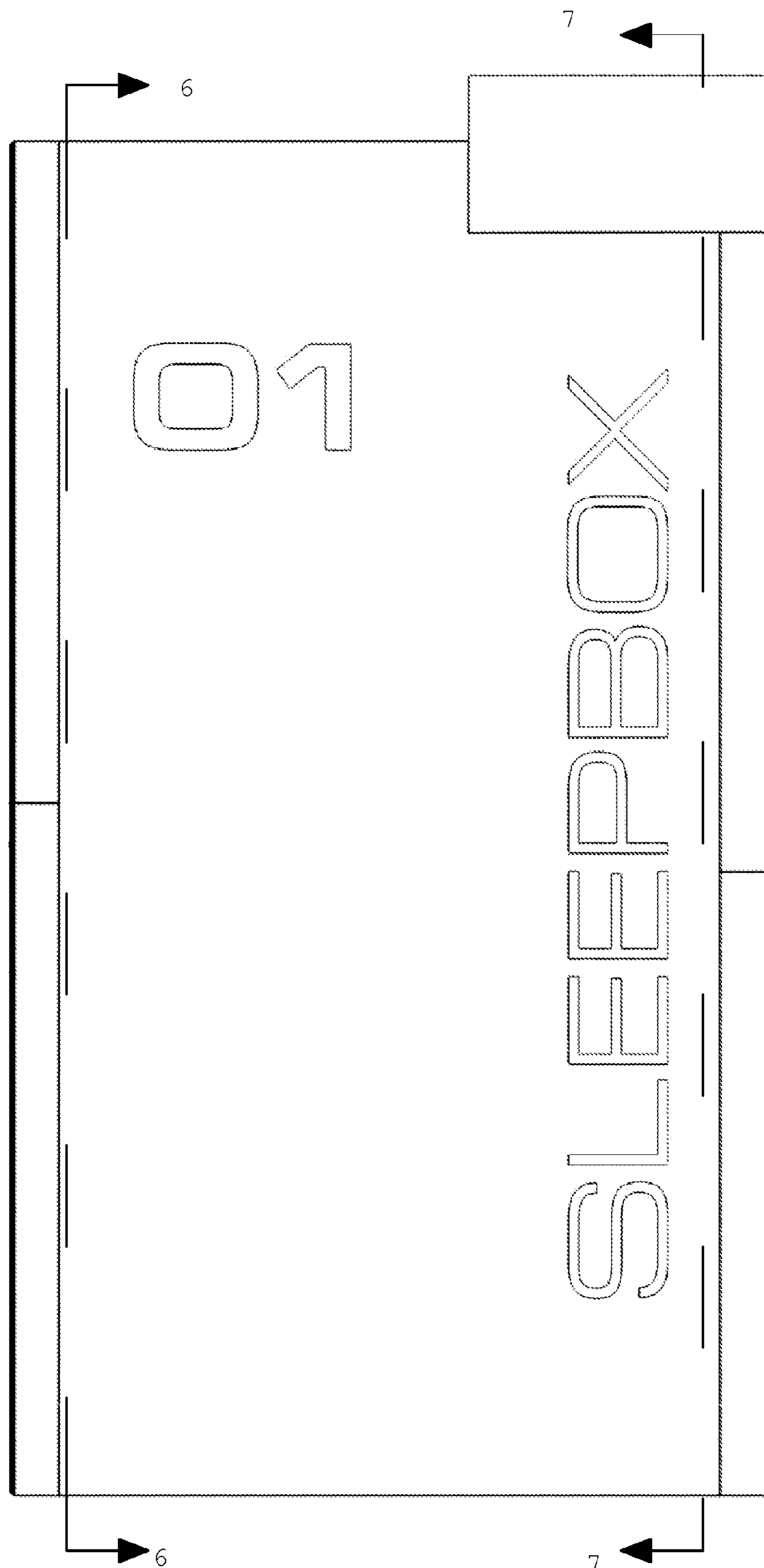


Fig. 4

FIG. 5

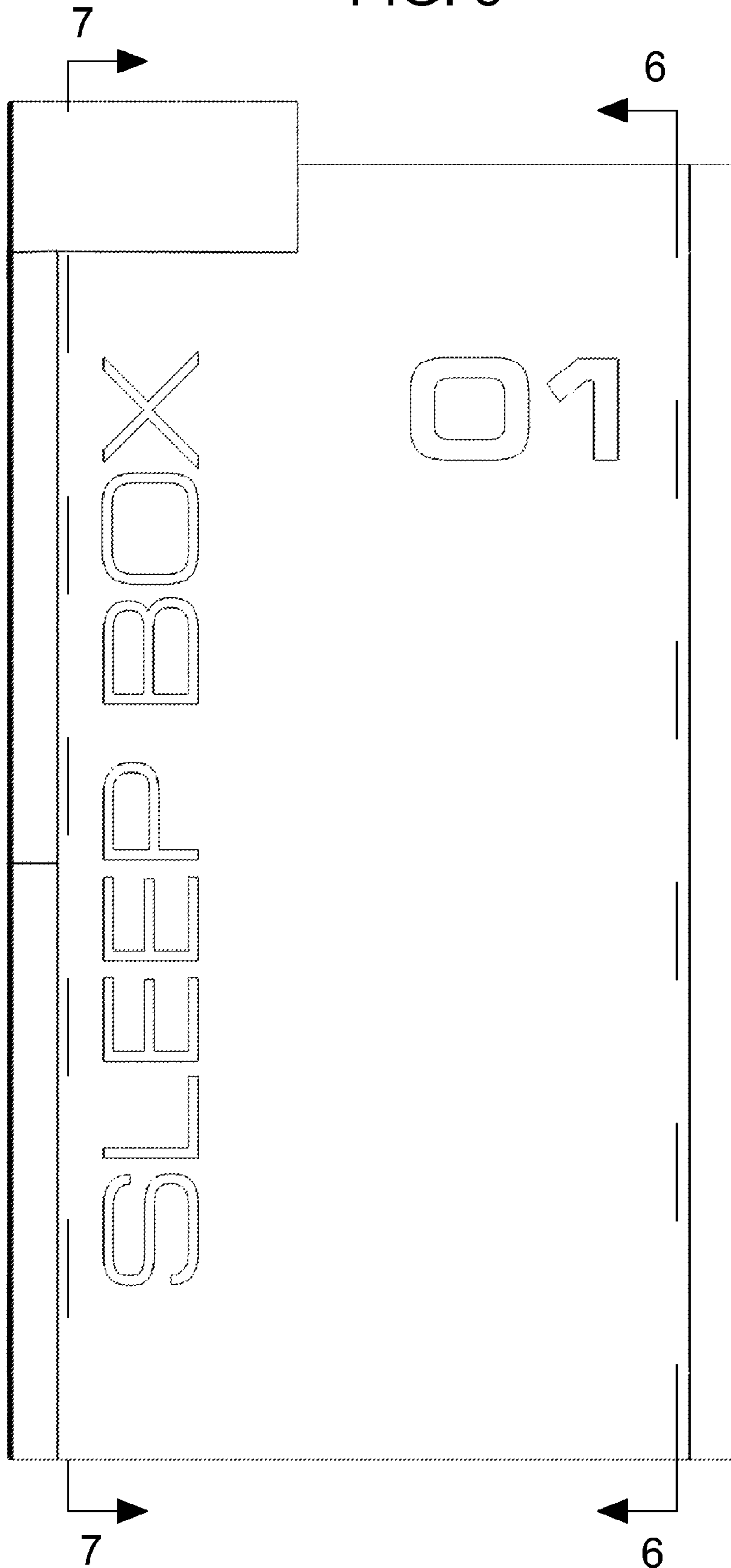


FIG. 6



FIG. 7

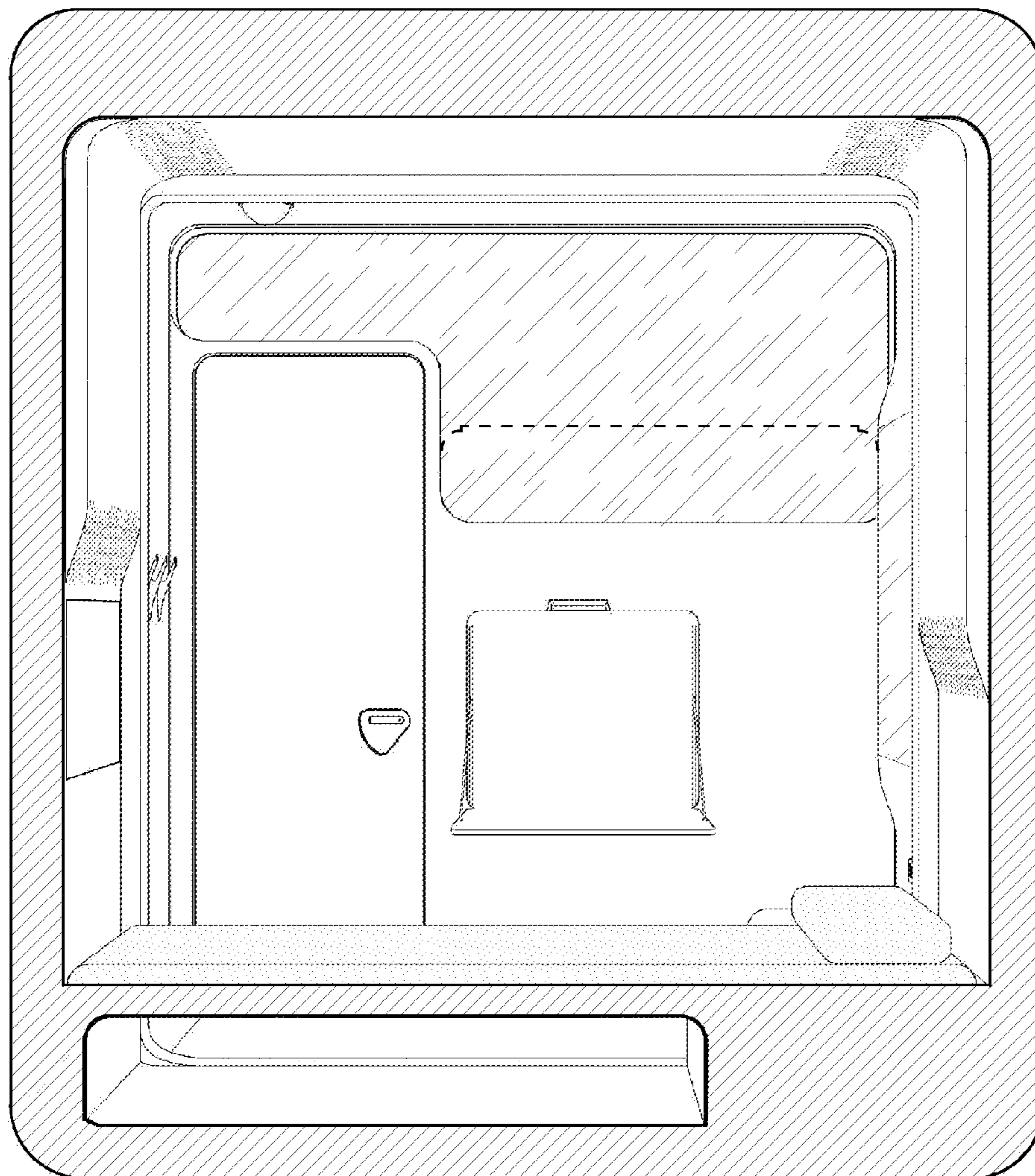
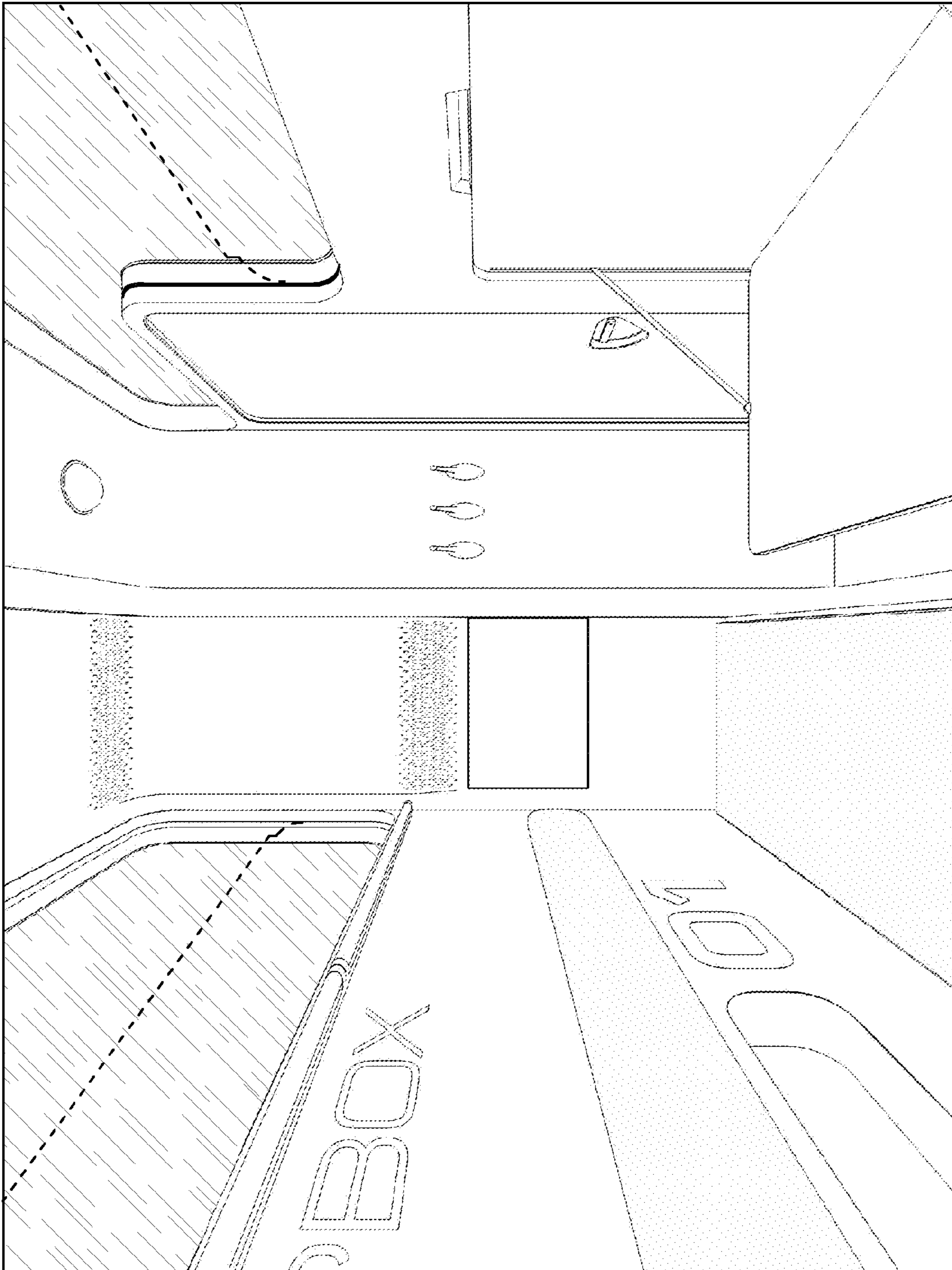


FIG. 8



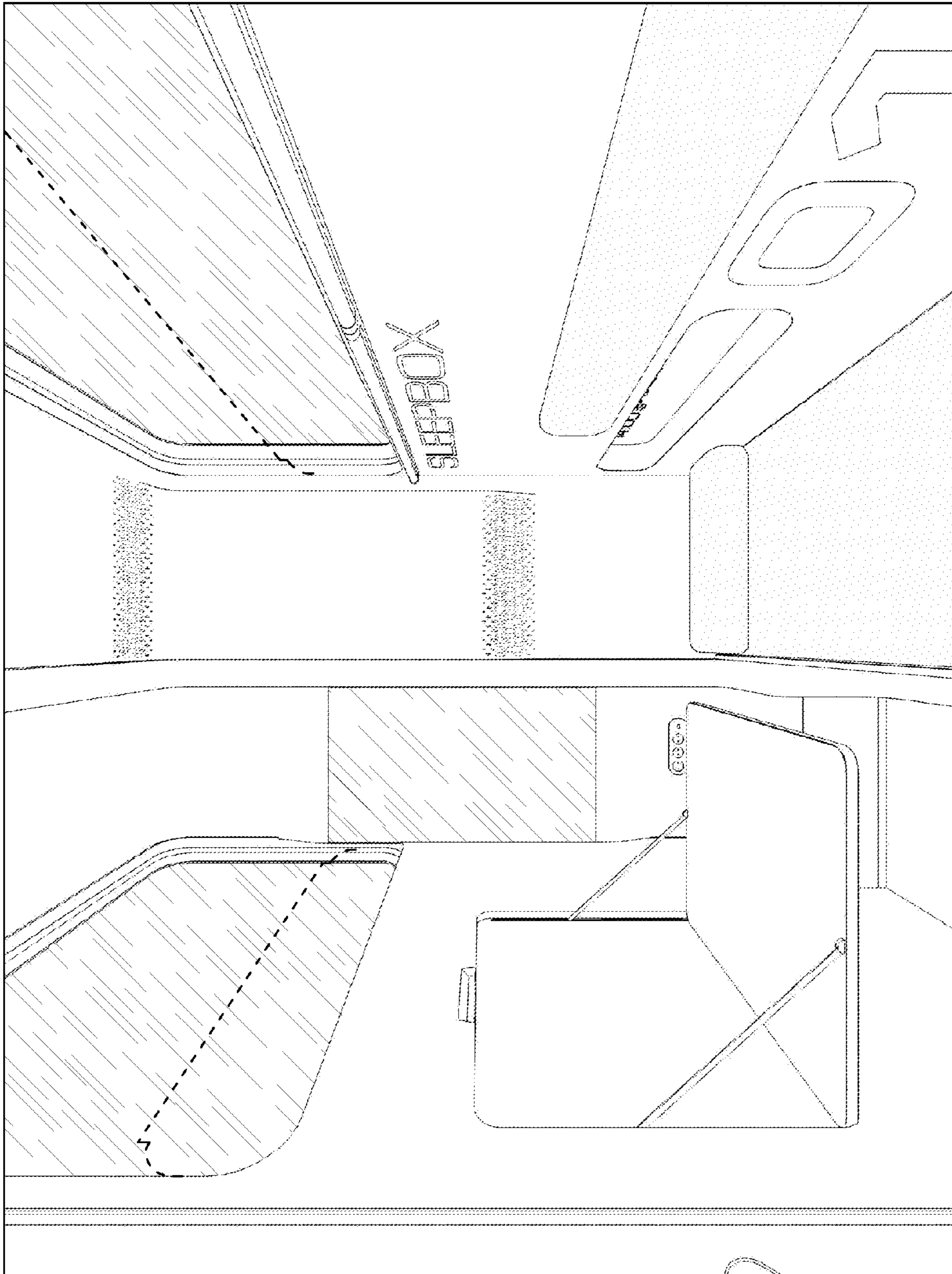


FIG. 9