

US00D664666S

(12) **United States Design Patent**
Kurokawa

(10) **Patent No.:** **US D664,666 S**
(45) **Date of Patent:** **** Jul. 31, 2012**

(54) **INSPECTION DEVICE FOR MEDICAL
TABLET**

(75) Inventor: **Koya Kurokawa**, Ehime (JP)

(73) Assignee: **Panasonic Corporation**, Osaka (JP)

(**) Term: **14 Years**

(21) Appl. No.: **29/391,828**

(22) Filed: **May 13, 2011**

(30) **Foreign Application Priority Data**

Nov. 24, 2010 (JP) 2010-028008

(51) **LOC (9) Cl.** **24-02**

(52) **U.S. Cl.** **D24/232; D15/145**

(58) **Field of Classification Search** D24/231-232,
D24/216, 176, 102, 103, 234; D15/145;
D10/81, 97; 53/154, 237-238, 493, 55; 221/130,
221/133, 255-258, 8-10, 266; D18/50, 18

See application file for complete search history.

(56) **References Cited**

U.S. PATENT DOCUMENTS

D188,845 S *	9/1960	Wiley	D24/234
D251,798 S *	5/1979	Hauser	D10/81
D300,326 S	3/1989	Chilcoate		
D337,539 S	7/1993	Leamon		
D348,101 S	6/1994	Poli et al.		
D352,911 S	11/1994	Yamamoto et al.		
D361,339 S	8/1995	Emery		
5,502,944 A *	4/1996	Kraft et al.	53/55
D377,183 S	1/1997	Emery		
D447,073 S *	8/2001	Okamoto et al.	D10/97
D475,794 S	6/2003	Ishigaki et al.		
6,792,736 B1 *	9/2004	Takahashi et al.	53/237
D517,438 S	3/2006	Sato et al.		
D545,854 S	7/2007	Sato et al.		

D562,369 S	2/2008	Okamoto et al.		
7,331,151 B2 *	2/2008	Kim	53/55
7,451,583 B2 *	11/2008	Kim	53/154
D613,319 S	4/2010	Okamoto et al.		
D620,964 S	8/2010	Yuyama et al.		
7,787,986 B2 *	8/2010	Pinney et al.	221/9
D626,161 S	10/2010	Torre		
D626,981 S	11/2010	Okamoto et al.		
D643,077 S *	8/2011	Olason et al.	D21/696

FOREIGN PATENT DOCUMENTS

JP	1164774	2/2003
JP	1176215	6/2003
JP	1286516	11/2006

* cited by examiner

Primary Examiner — Wan Laymon

(74) *Attorney, Agent, or Firm* — Panasonic Patent Center;
Dhiren Odedra; Kerry Culpepper

(57) **CLAIM**

I claim the ornamental design for an inspection device for medical tablet, as shown and described.

DESCRIPTION

FIG. 1 is a front perspective view of an inspection device for medical tablet of the present invention;

FIG. 2 is a front view thereof;

FIG. 3 is a rear view thereof;

FIG. 4 is a first side view thereof;

FIG. 5 is a second side view thereof;

FIG. 6 is a top view thereof; and,

FIG. 7 is a bottom view thereof.

The dash-dot lines immediately adjacent the shaded areas represent the bounds of the claimed design while other broken lines are included for the purpose of illustrating the unclaimed portions of the inspection device for medical tablet. None of the broken lines form part of the claimed design.

1 Claim, 7 Drawing Sheets

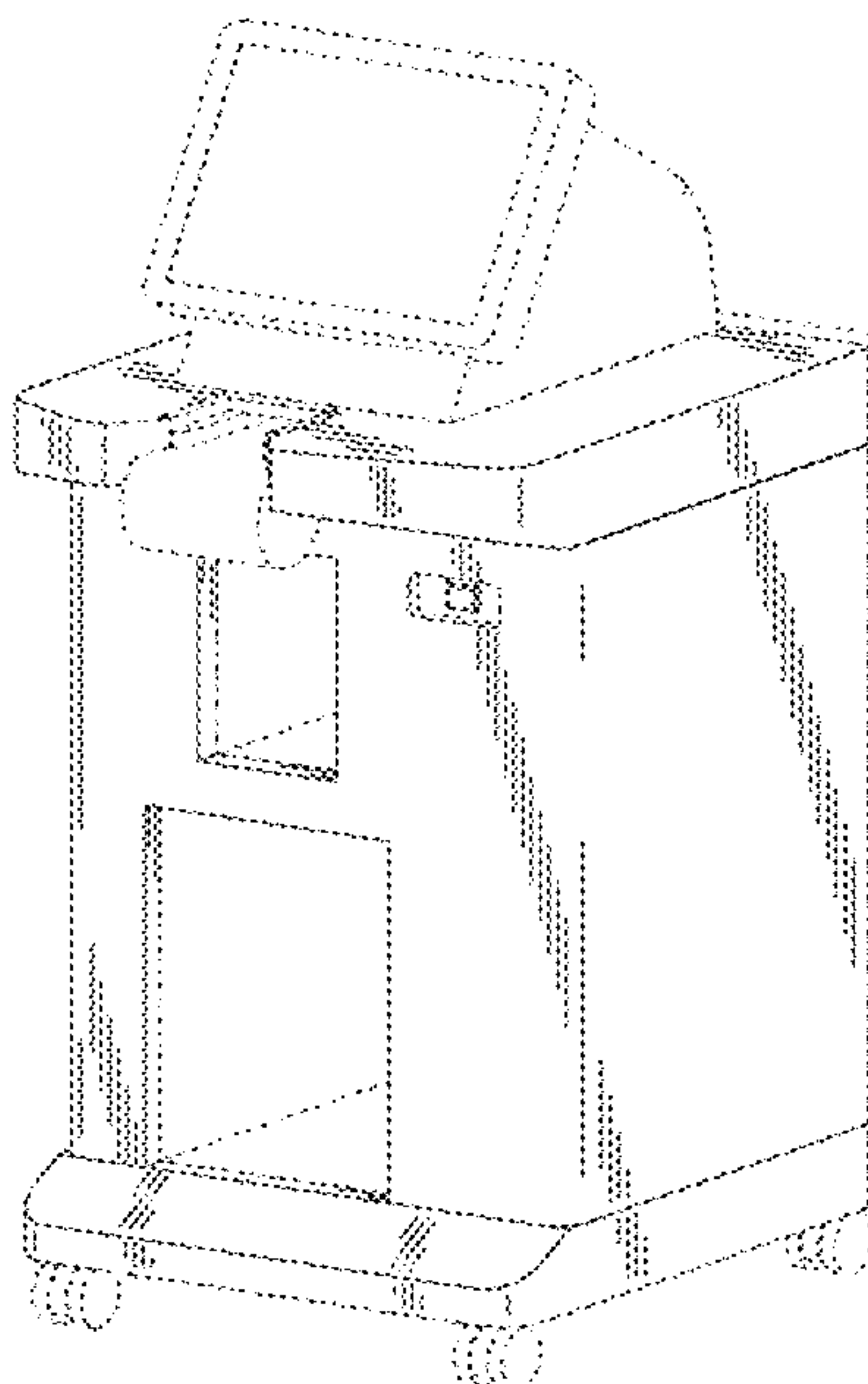


FIG. 1

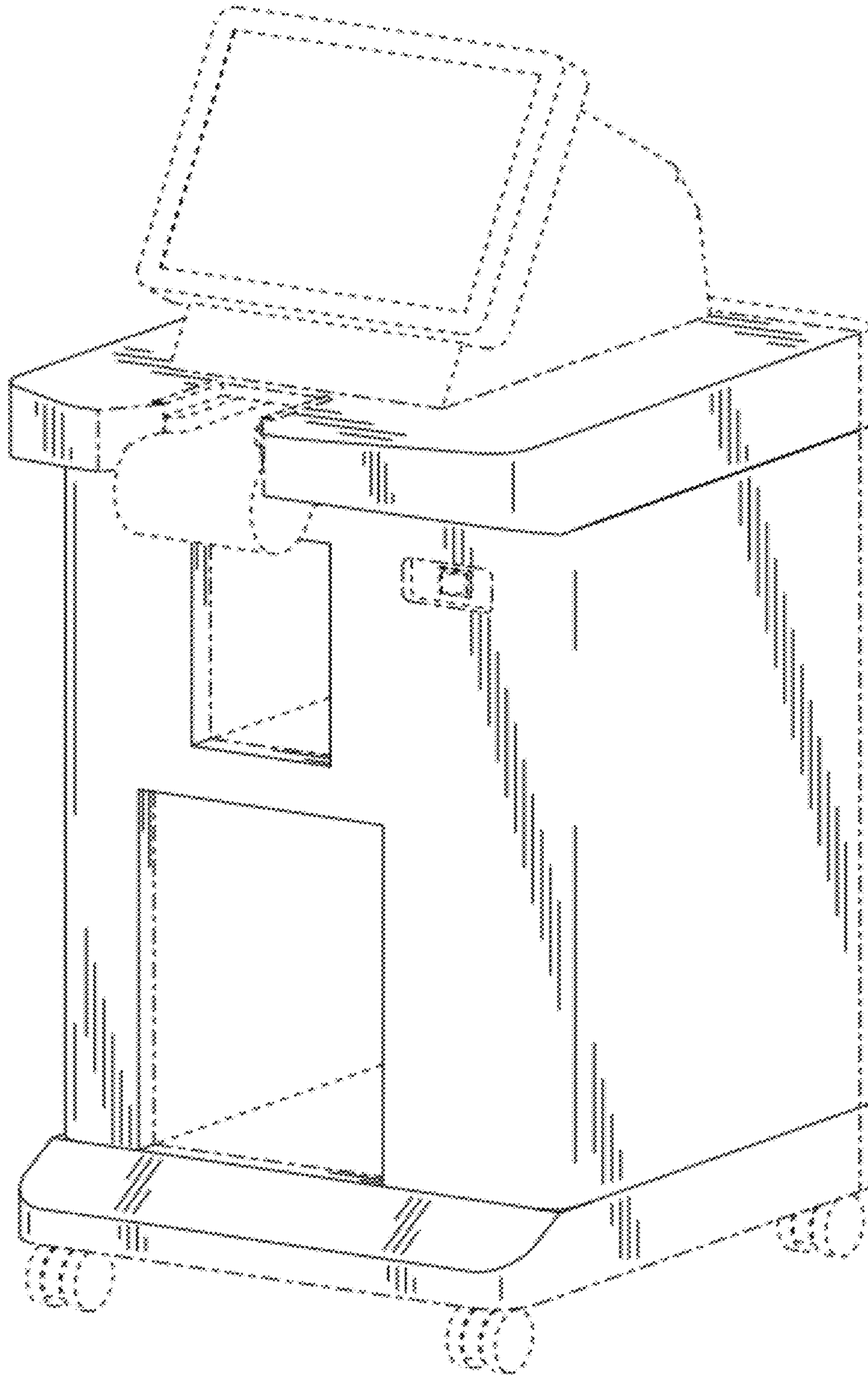


FIG. 2

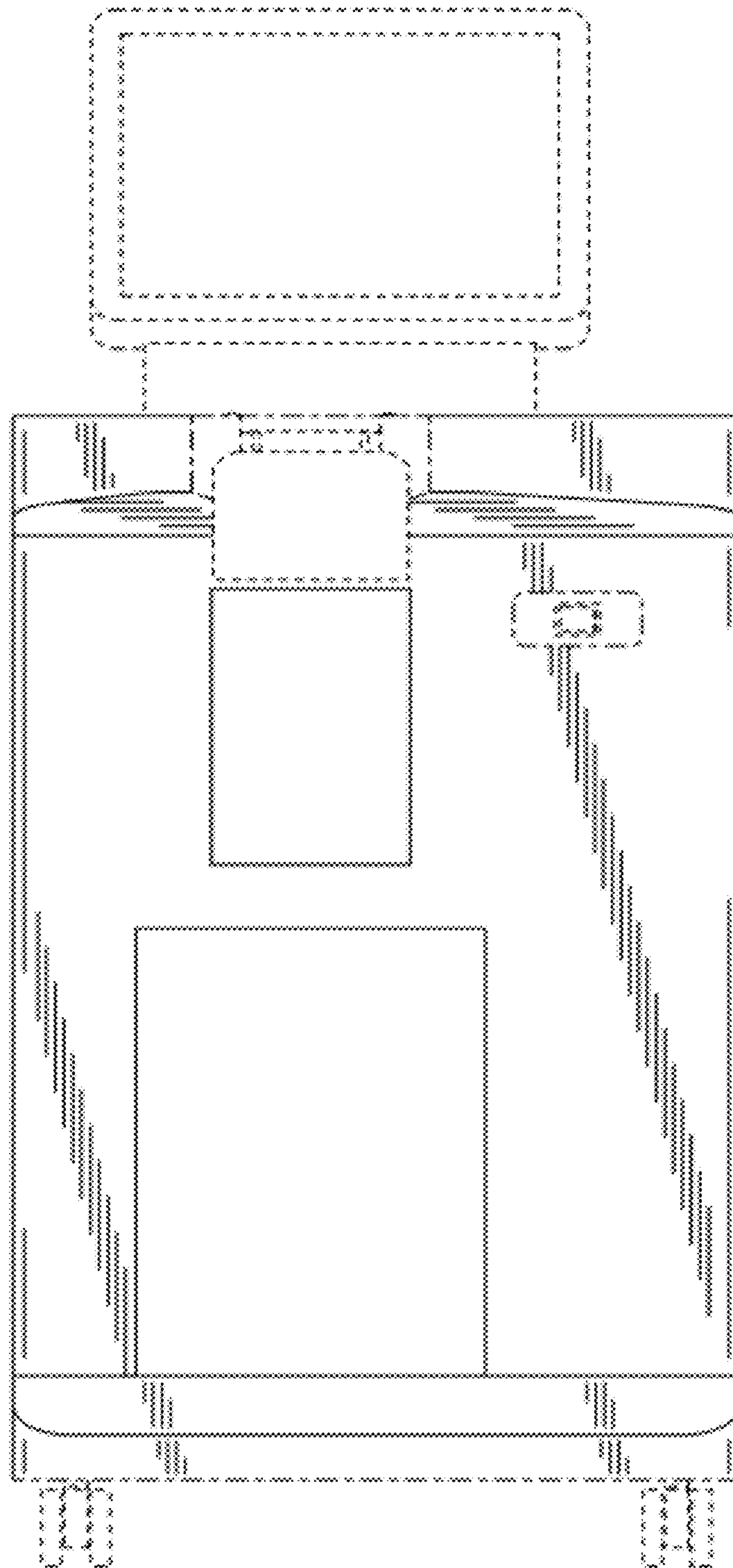


FIG. 3

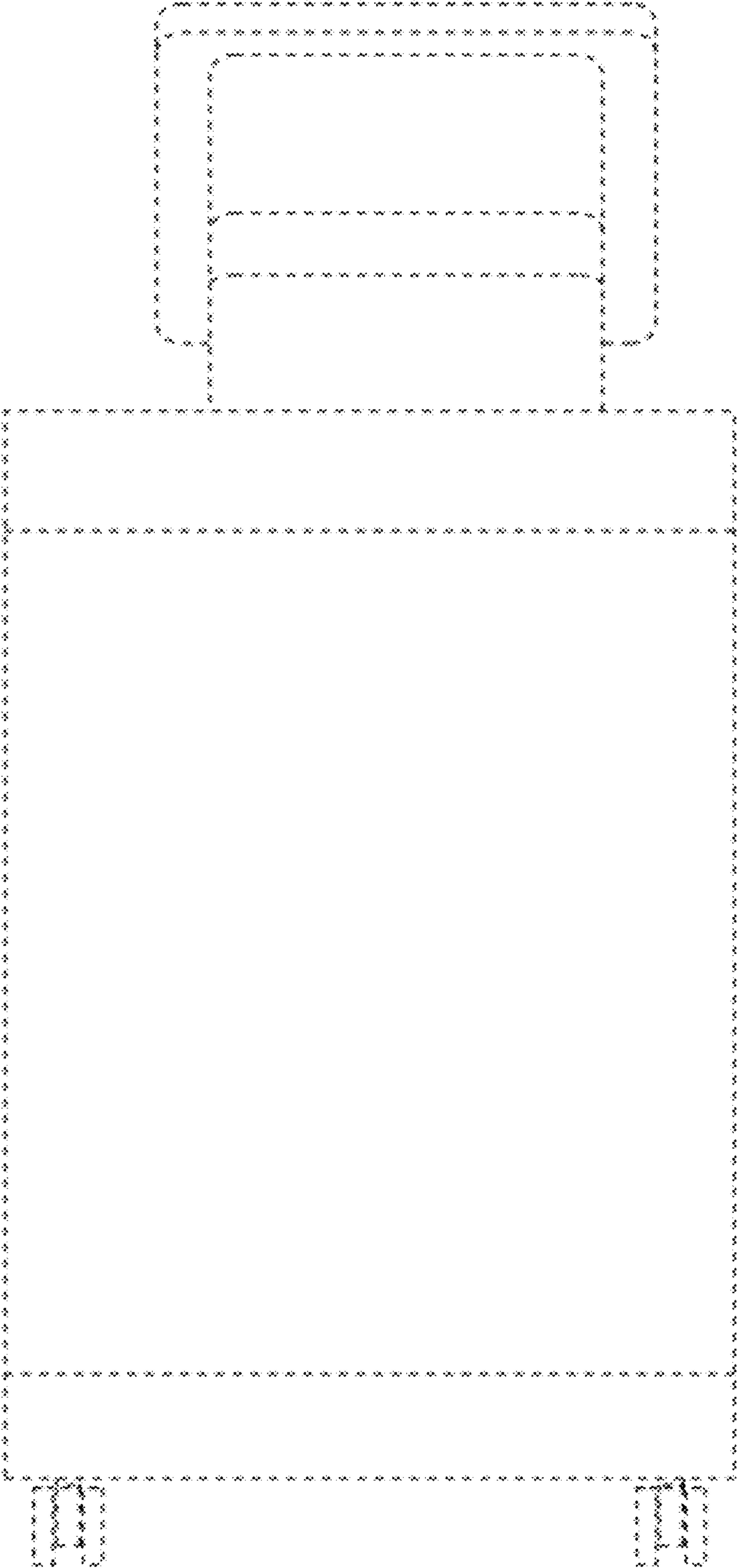


FIG. 4

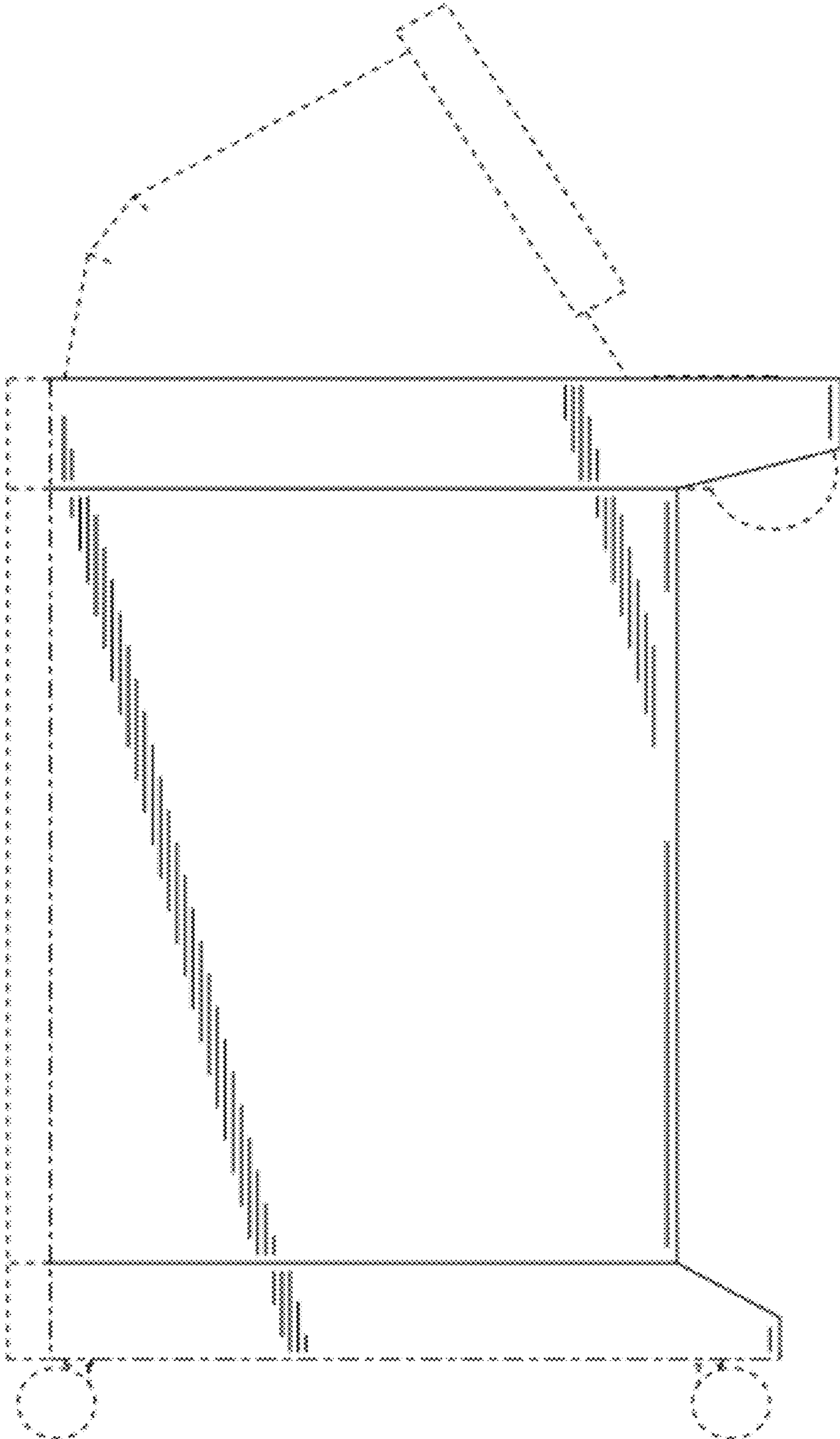


FIG. 5

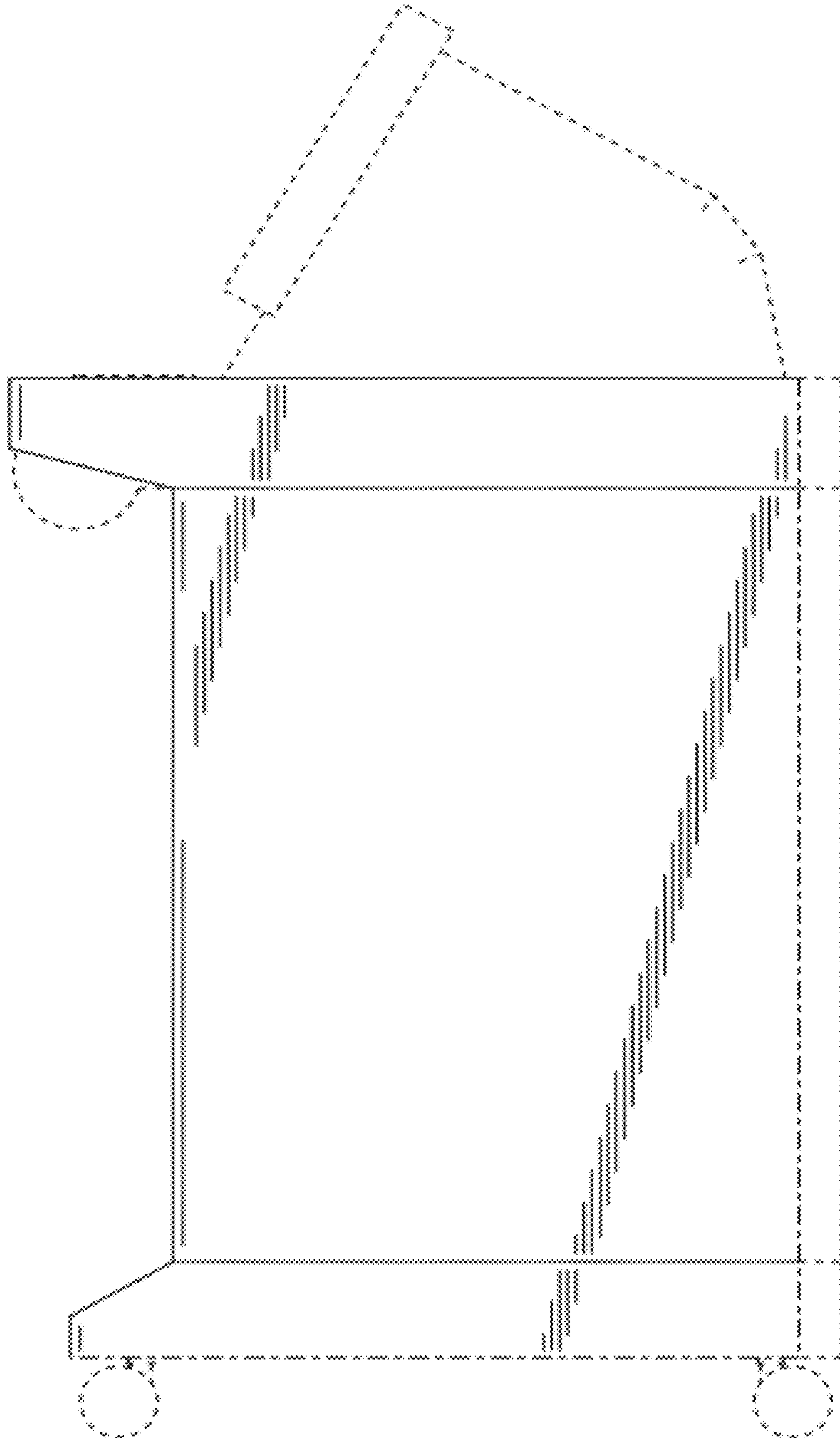


FIG. 6

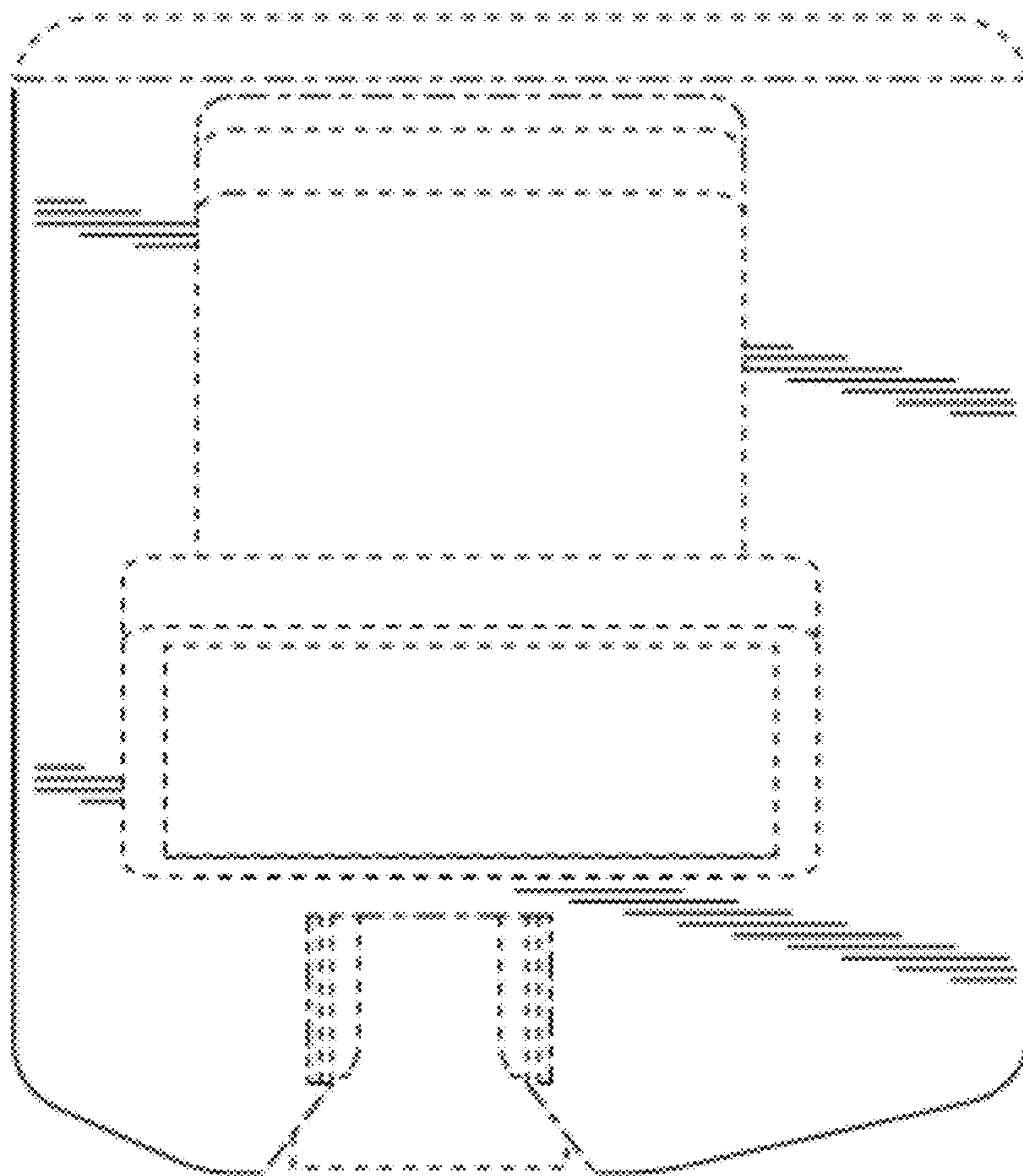


FIG. 7

