



US00D664663S

(12) **United States Design Patent**
Chiang

(10) **Patent No.:** **US D664,663 S**

(45) **Date of Patent:** **** Jul. 31, 2012**

(54) **WRIST SUPPORT**

(76) Inventor: **Pang-Ching Chiang**, Taipei (TW)

(**) Term: **14 Years**

(21) Appl. No.: **29/402,450**

(22) Filed: **Sep. 23, 2011**

(51) **LOC (9) Cl.** **24-01**

(52) **U.S. Cl.** **D24/190**

(58) **Field of Classification Search** D24/190,
D24/100, 206, 207; D29/120.1, 120.2, 121.1;
602/2, 5, 6, 16, 20-23, 26, 60-66; 2/16,
2/24; D2/610; 128/892

See application file for complete search history.

(56) **References Cited**

U.S. PATENT DOCUMENTS

D360,467 S *	7/1995	Sydor et al.	D24/190
D397,222 S *	8/1998	Humensky	D24/190
6,093,161 A *	7/2000	Vlaeyen et al.	602/6
D456,081 S *	4/2002	Bell et al.	D24/190
D461,901 S *	8/2002	Rodgers	D24/190
D477,409 S *	7/2003	Mills et al.	D24/190

D580,064 S *	11/2008	Lin et al.	D24/190
D580,555 S *	11/2008	Lin et al.	D24/190
D623,758 S *	9/2010	Chiang	D24/190
D626,242 S *	10/2010	Sagnip et al.	D24/190
D629,912 S *	12/2010	Chiang	D24/190
D652,172 S *	1/2012	Todd et al.	D29/120.1

* cited by examiner

Primary Examiner — Susan E Krakower

(74) *Attorney, Agent, or Firm* — WPAT, P.C.; Anthony King

(57) **CLAIM**

The ornamental design for a wrist support, as shown.

DESCRIPTION

FIG. 1 is a perspective view of a wrist support showing my new design;

FIG. 2 is another perspective view thereof;

FIG. 3 is a front view thereof;

FIG. 4 is a rear view thereof;

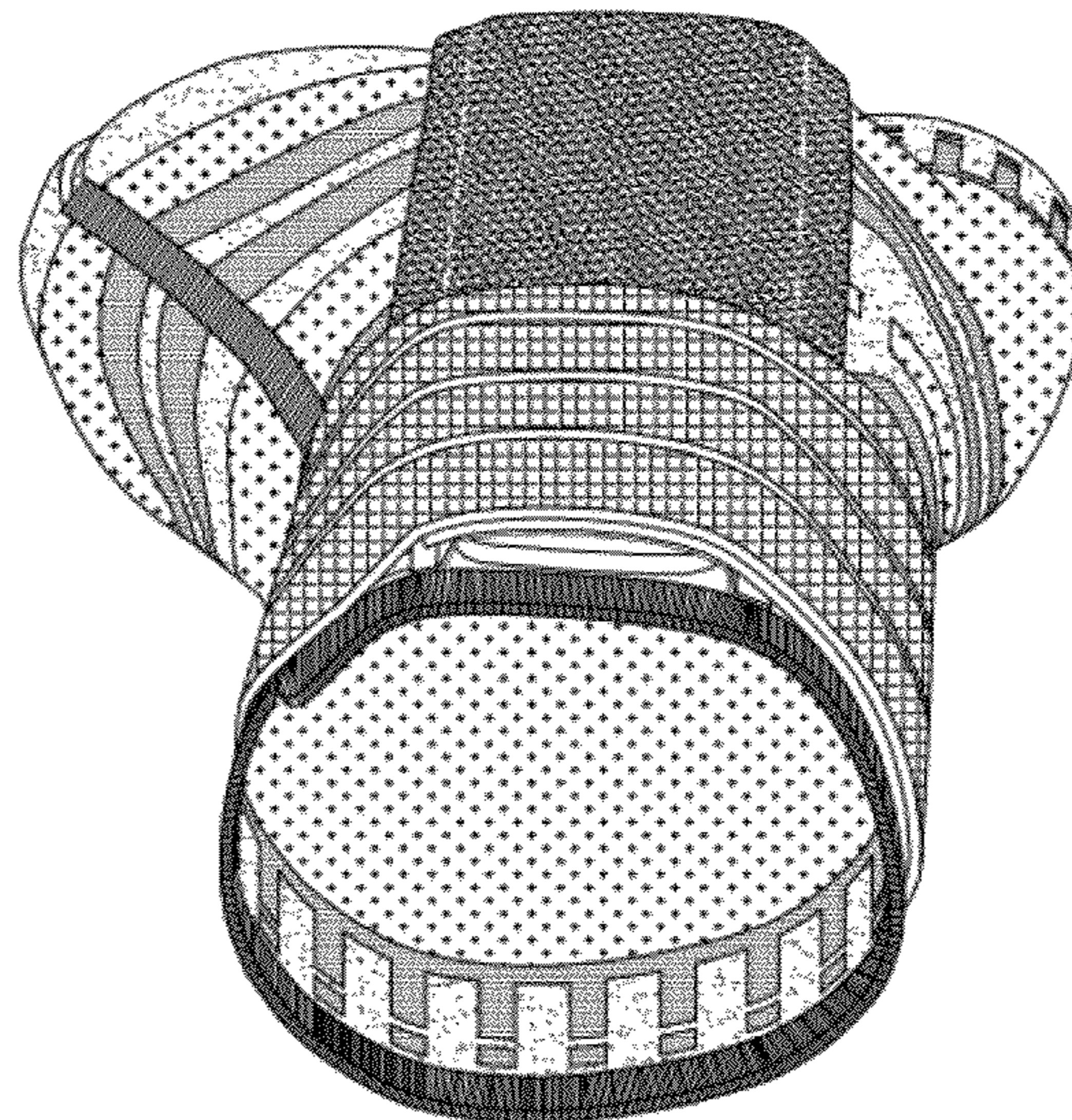
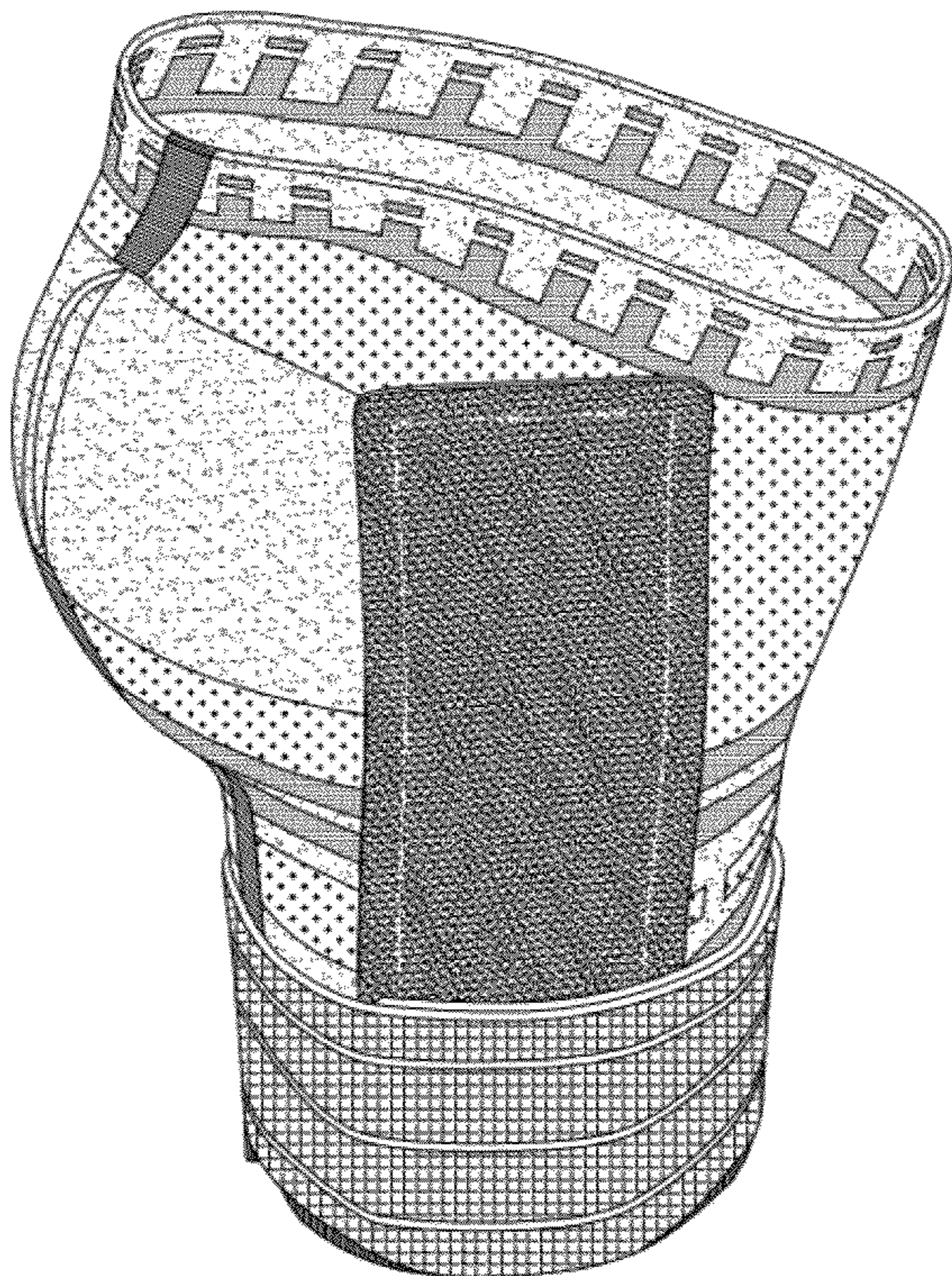
FIG. 5 is a left view thereof;

FIG. 6 is a right view thereof;

FIG. 7 is a top perspective view thereof; and,

FIG. 8 is a bottom perspective view thereof.

1 Claim, 7 Drawing Sheets



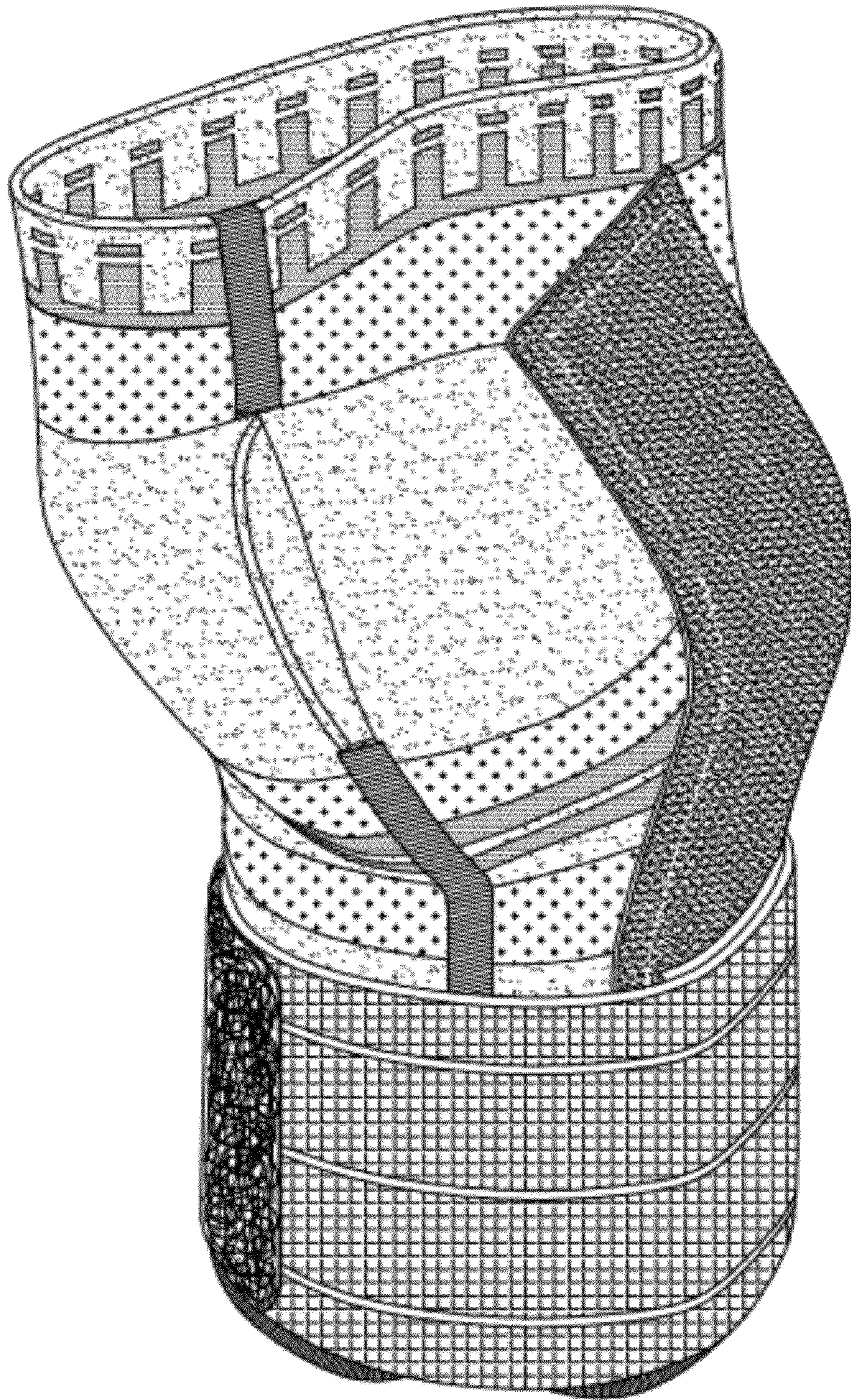


FIG.1

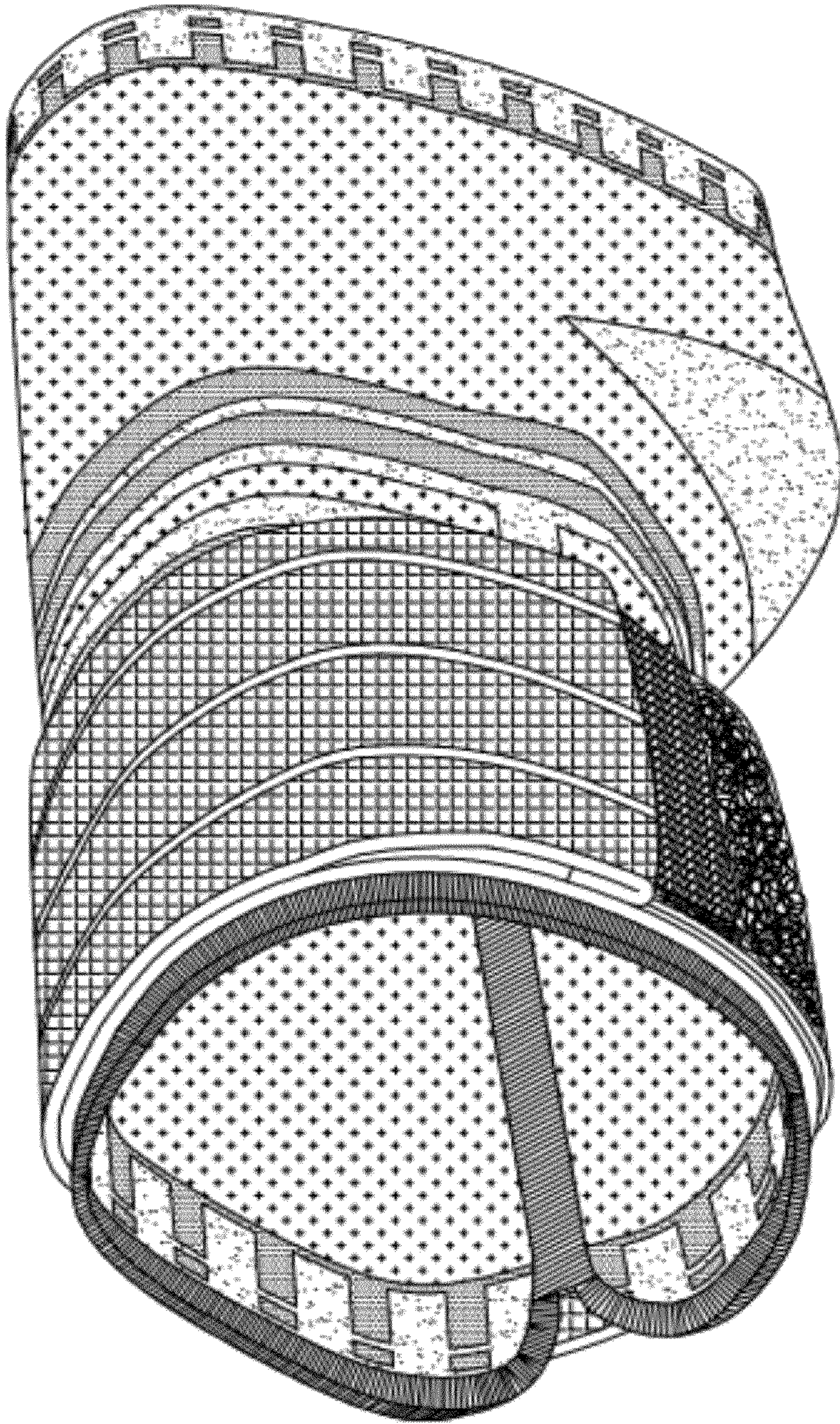


FIG.2

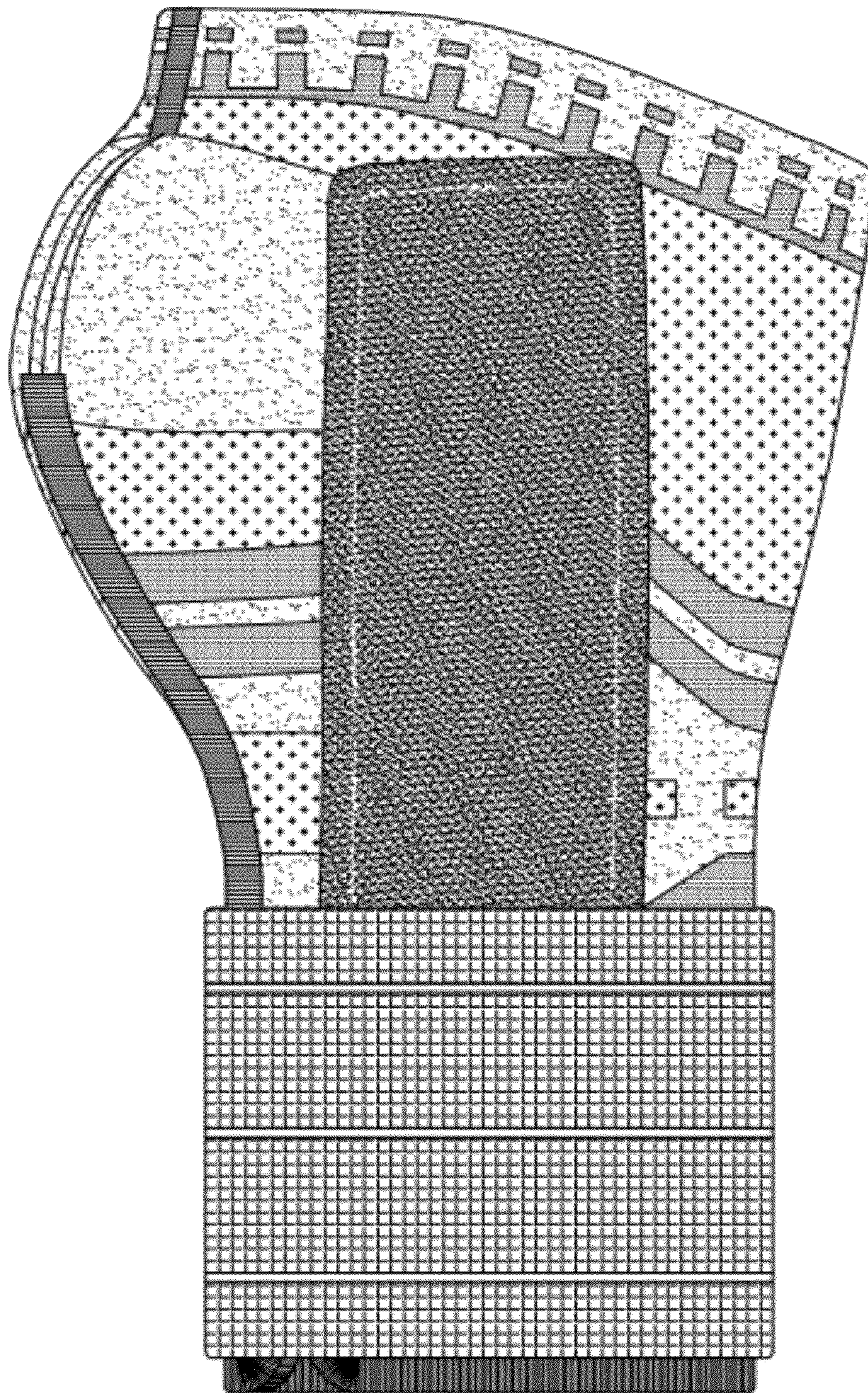


FIG.3

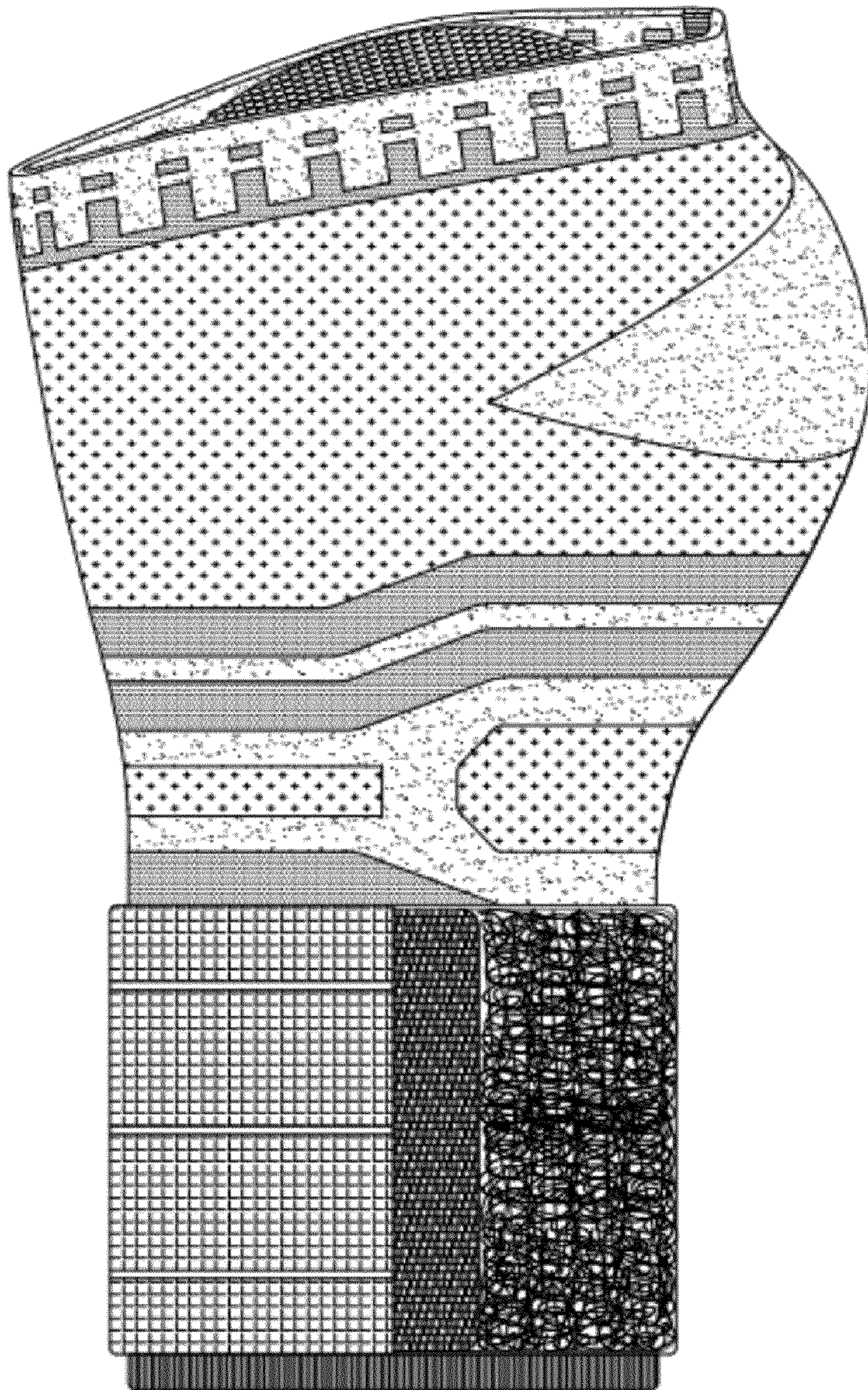


FIG.4

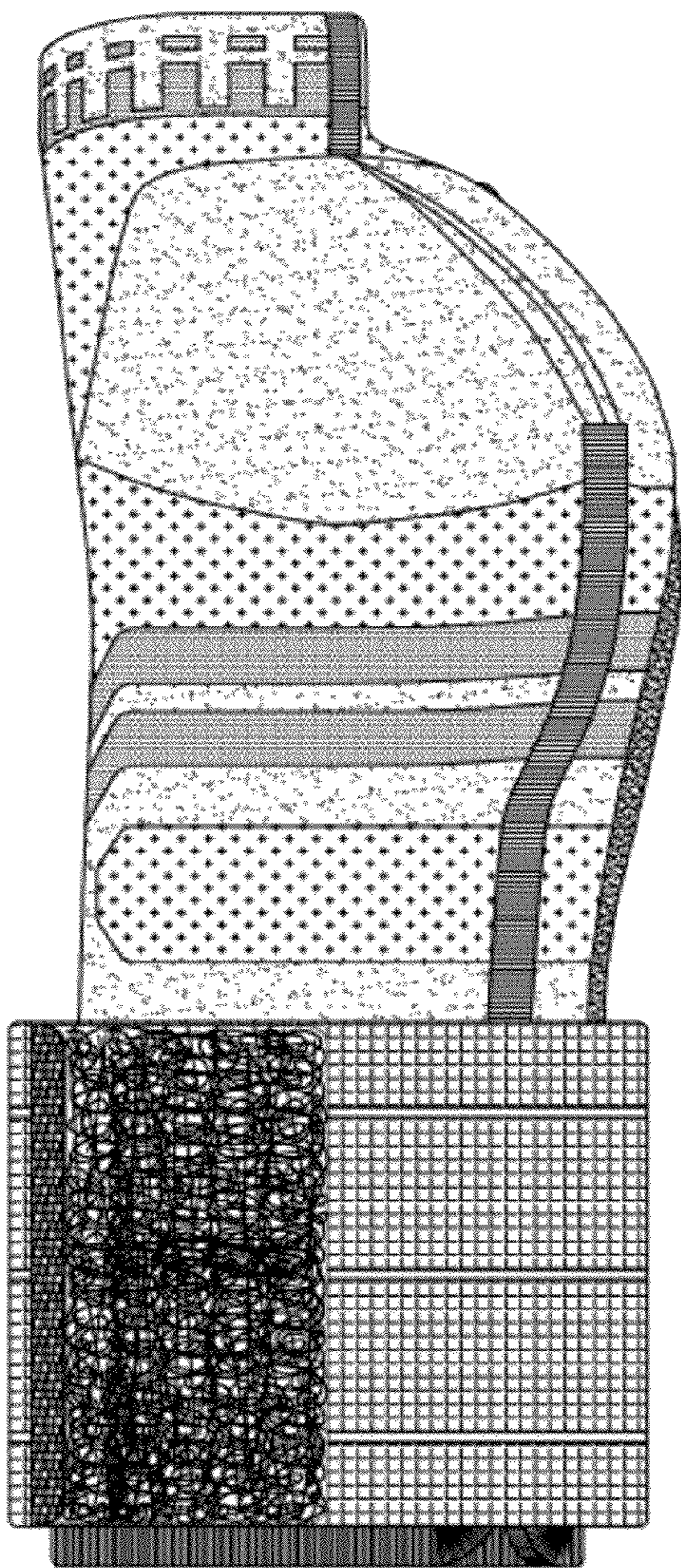


FIG. 5

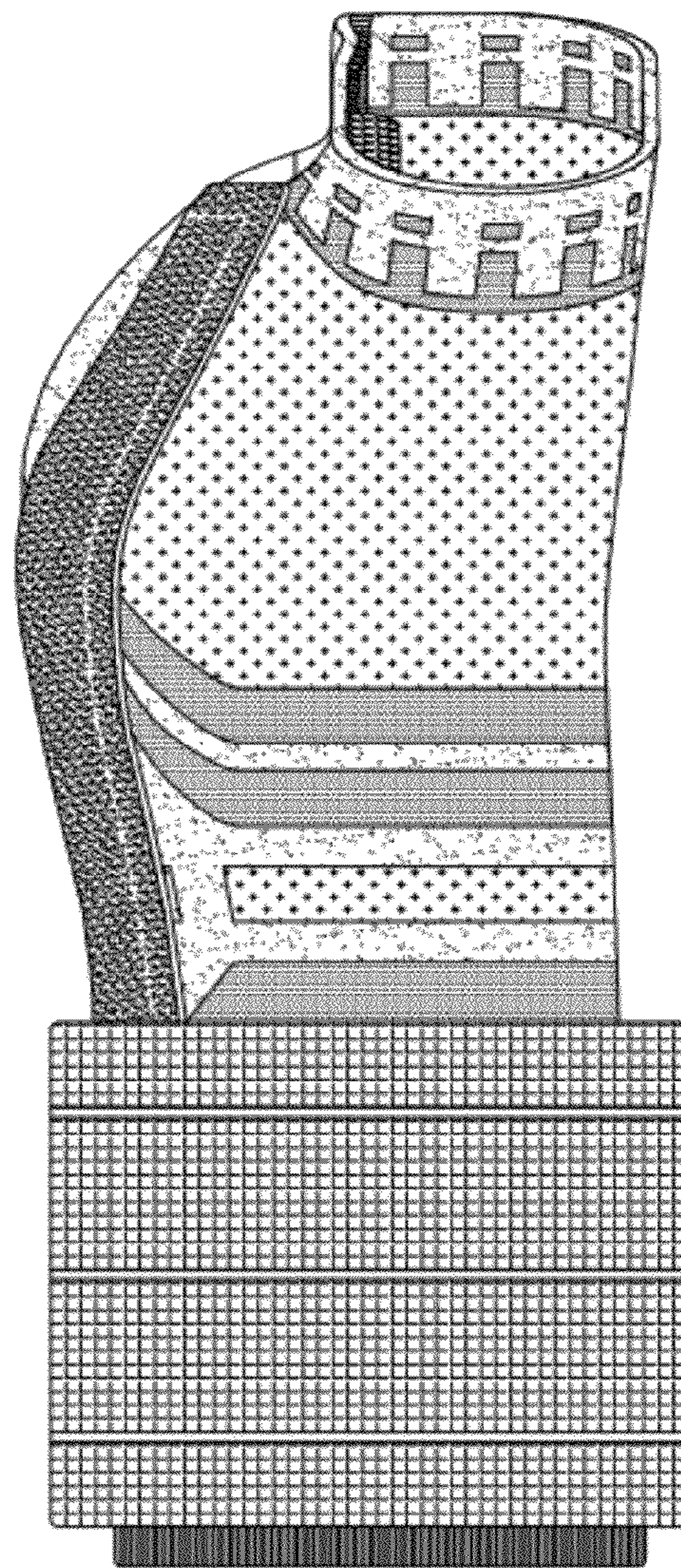


FIG. 6

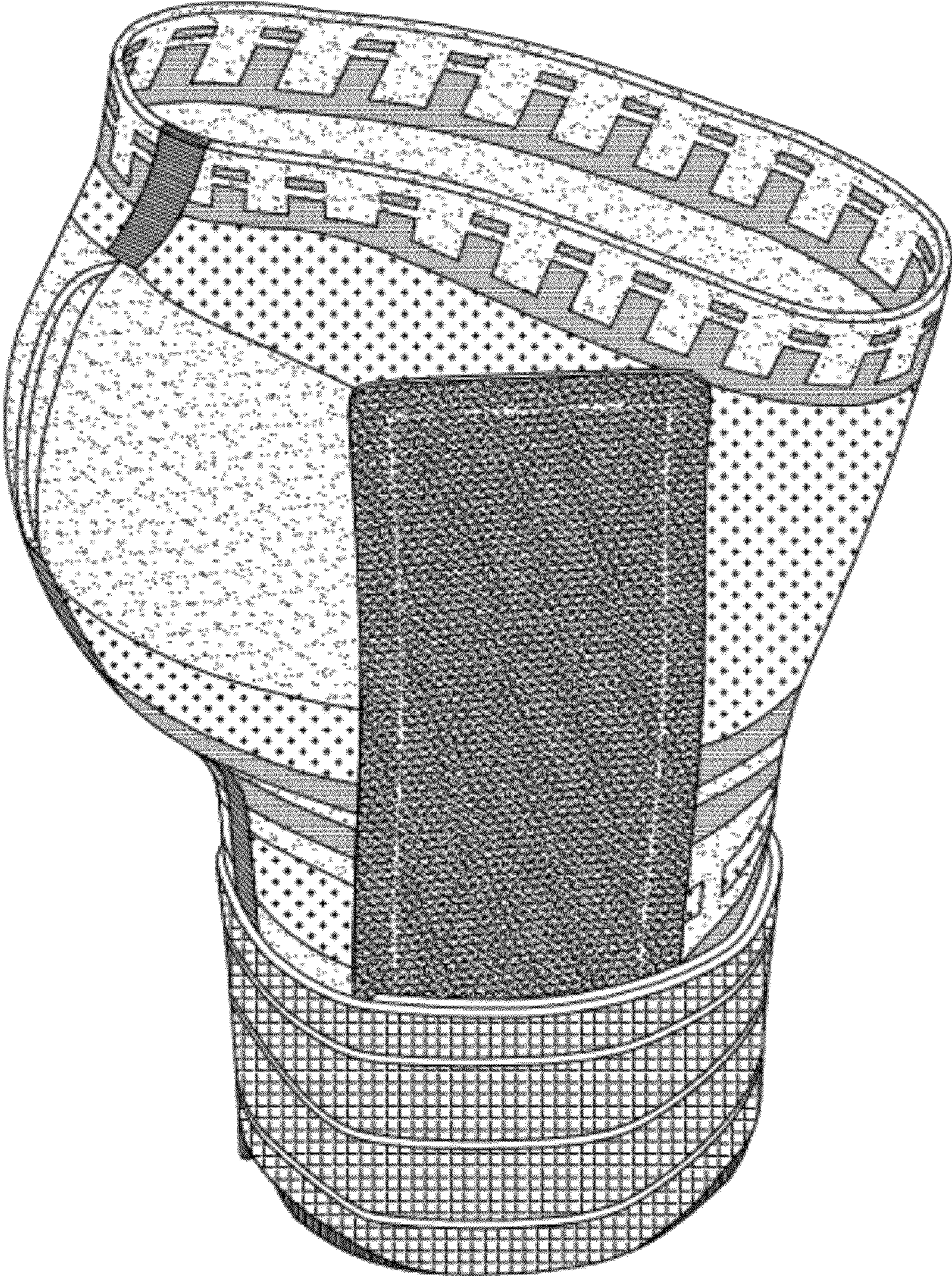


FIG.7

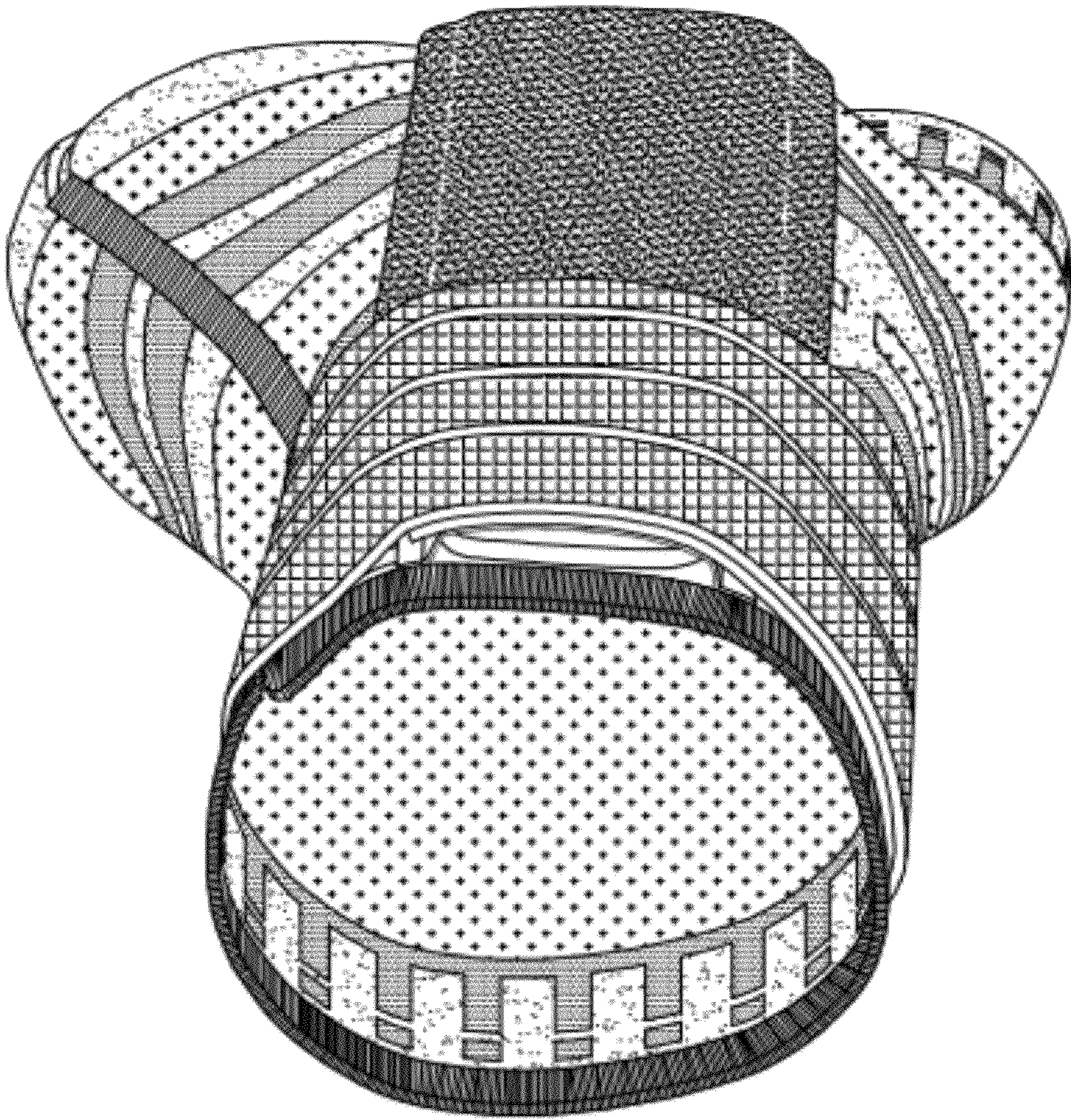


FIG.8