

US00D664661S

(12) **United States Design Patent**
Kubiak et al.

(10) **Patent No.:** **US D664,661 S**
(45) **Date of Patent:** **** Jul. 31, 2012**

(54) **ALIGNMENT PLATE APPARATUS**

(76) Inventors: **Erik Noble Kubiak**, St. Lake City, UT (US); **Colin Edward Poole**, Boise, ID (US)

(**) Term: **14 Years**

(21) Appl. No.: **29/399,854**

(22) Filed: **Aug. 19, 2011**

(51) **LOC (9) Cl.** **24-01**

(52) **U.S. Cl.** **D24/171**

(58) **Field of Classification Search** 378/65, 378/208, 209; 600/44, 414, 426, 427; 5/601; D24/188, 184, 200, 190, 158, 159, 171
See application file for complete search history.

(56) **References Cited**

U.S. PATENT DOCUMENTS

5,285,785 A * 2/1994 Meyer 600/426
D347,062 S * 5/1994 Logan D6/591
5,680,861 A * 10/1997 Rohling 600/407

6,839,402 B2 * 1/2005 Stabe et al. 378/20
D553,751 S * 10/2007 Penenberg et al. D24/184
2009/0129556 A1 * 5/2009 Ahn 378/208

* cited by examiner

Primary Examiner — T. Chase Nelson

Assistant Examiner — Ania Aman

(74) *Attorney, Agent, or Firm* — Harris, Shelton, Hanover & Walsh

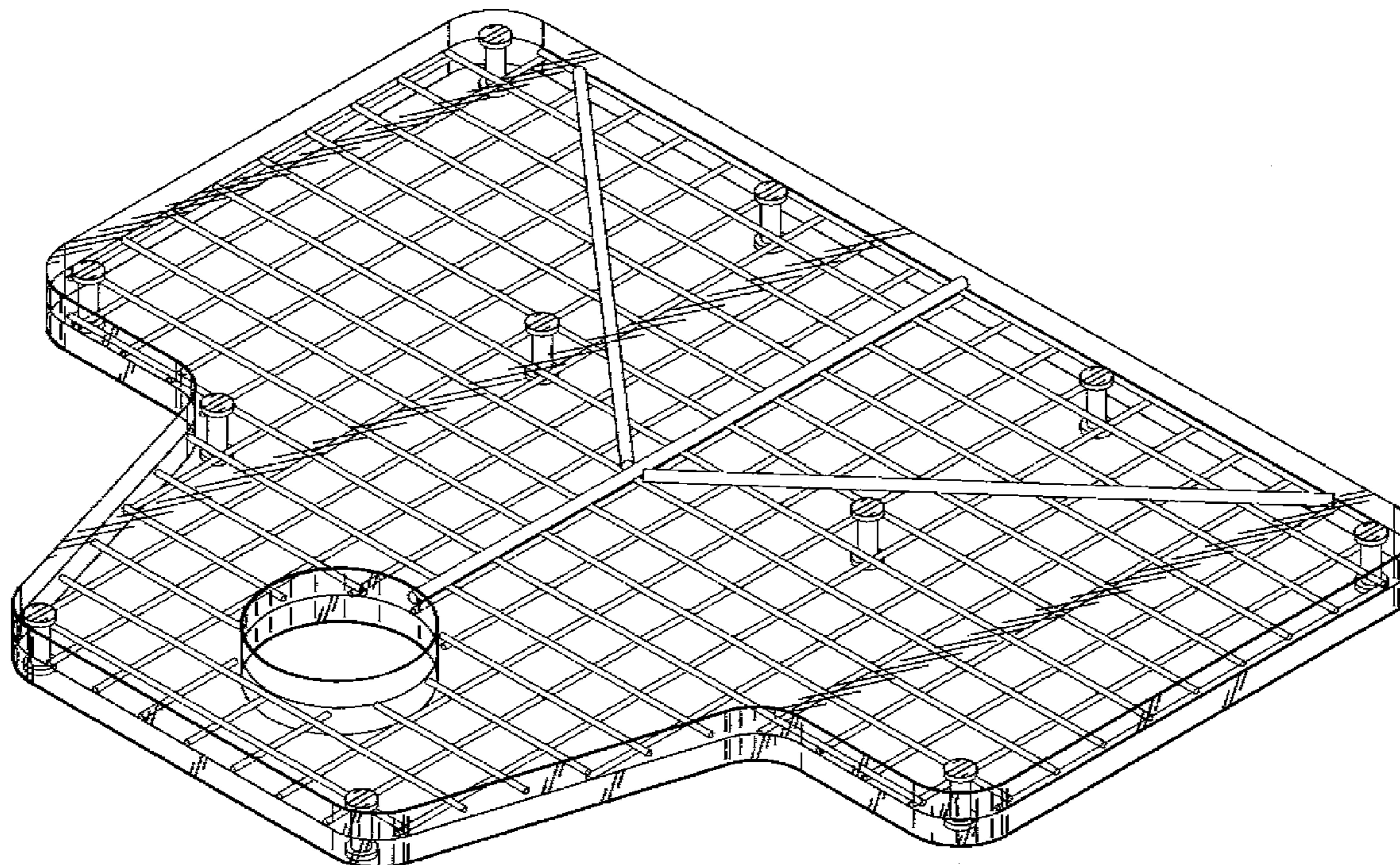
(57) **CLAIM**

The ornamental design for an alignment plate apparatus, as shown and described.

DESCRIPTION

FIG. 1 is an isometric view of an alignment plate apparatus showing my new design;
FIG. 2 is a top plan view thereof,
FIG. 3 is a front view thereof;
FIG. 4 is a right side view thereof, the opposite view being identical;
FIG. 5 is rear view thereof; and,
FIG. 6 is a bottom plan view thereof.
Any broken lines shown in the drawings are for illustrative purposes only and form no part of the claimed design.

1 Claim, 4 Drawing Sheets



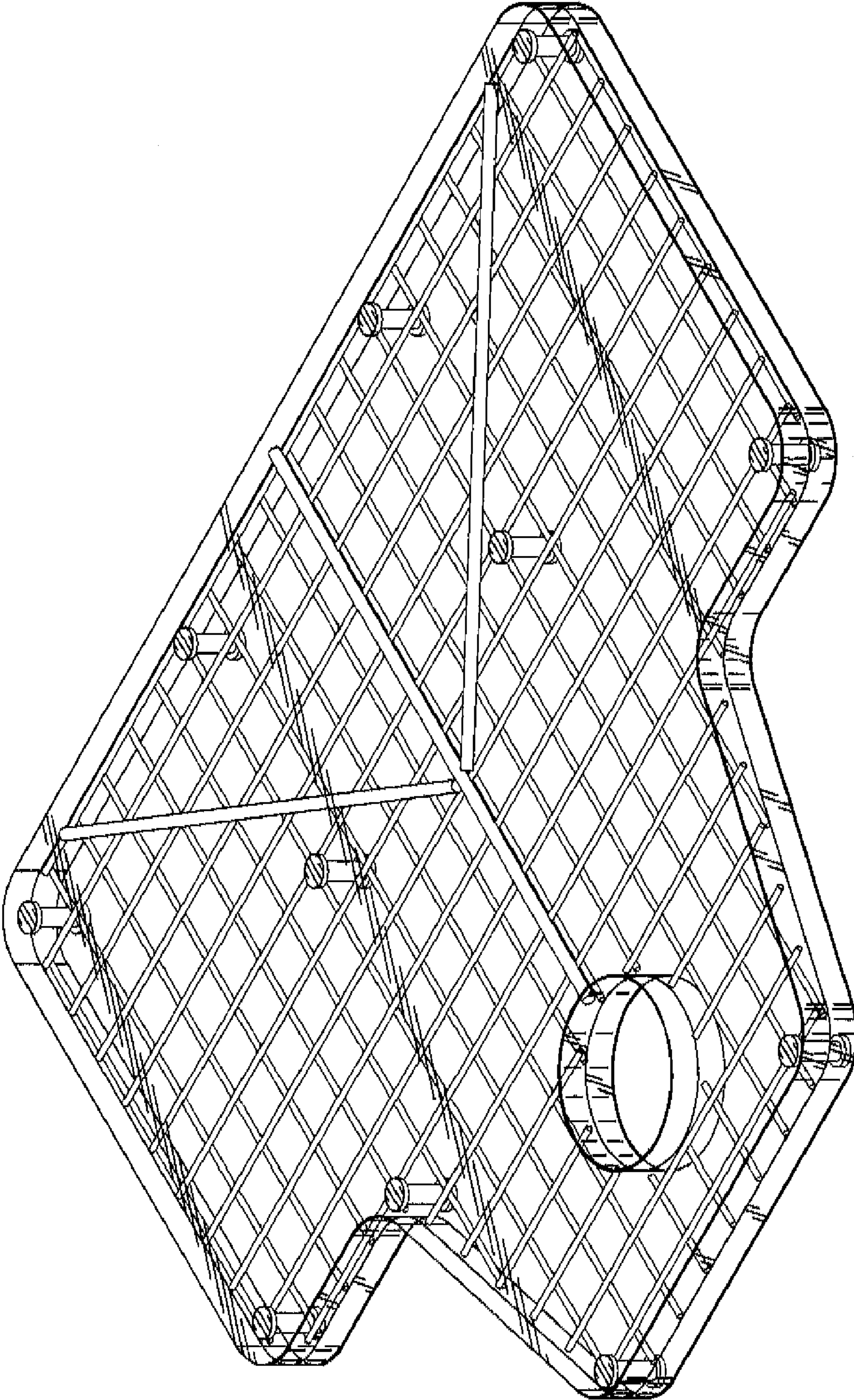


FIG. 1

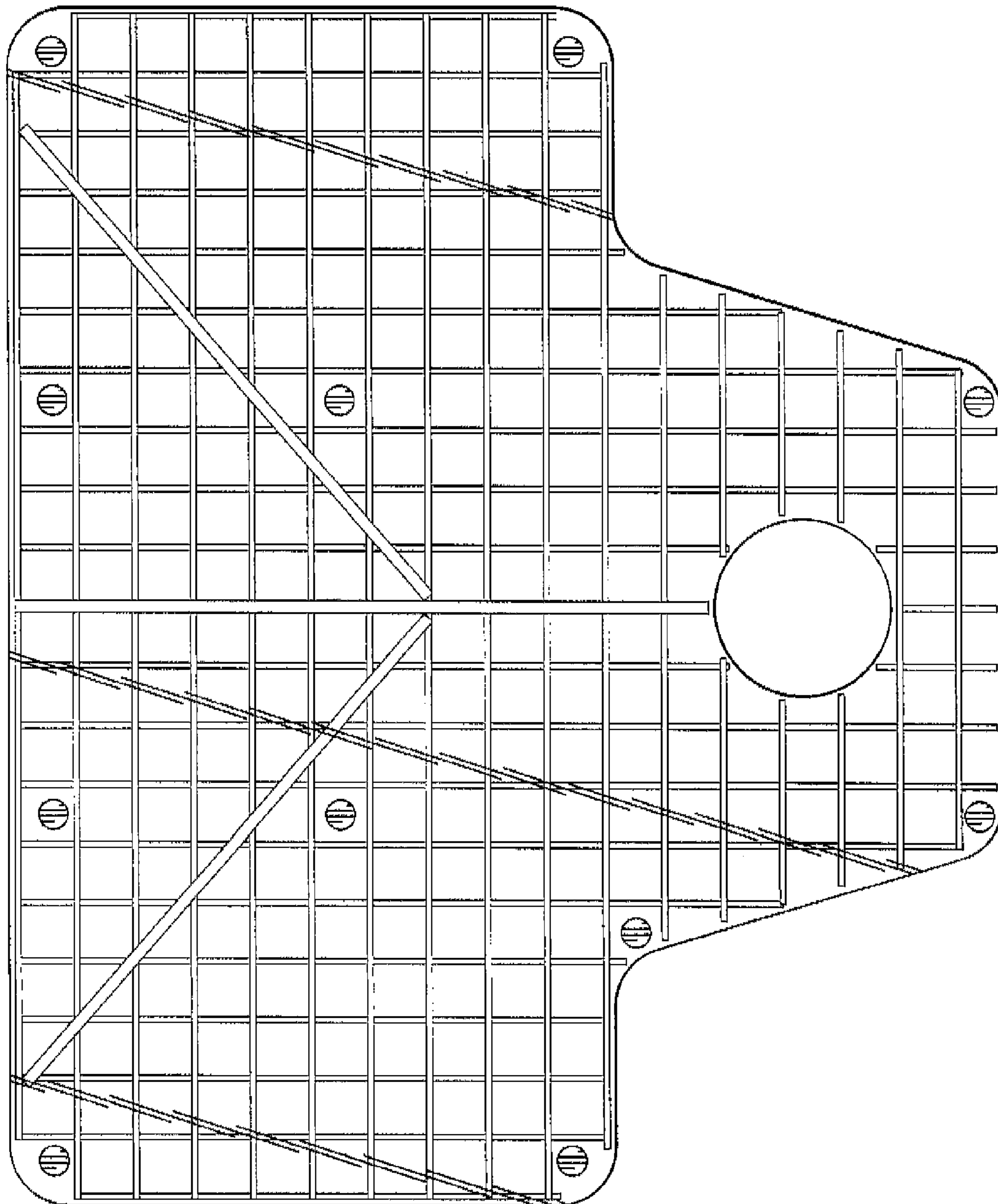


FIG. 2

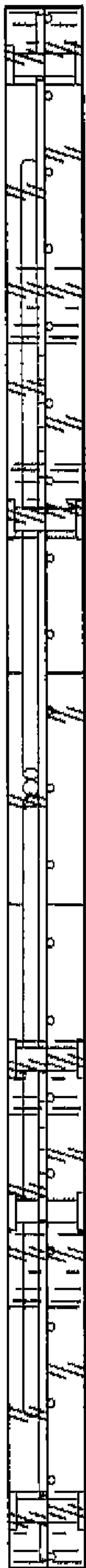


FIG. 3

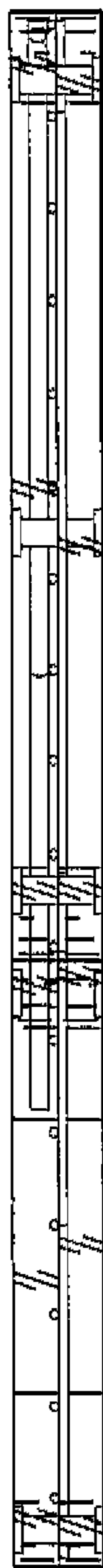


FIG. 4

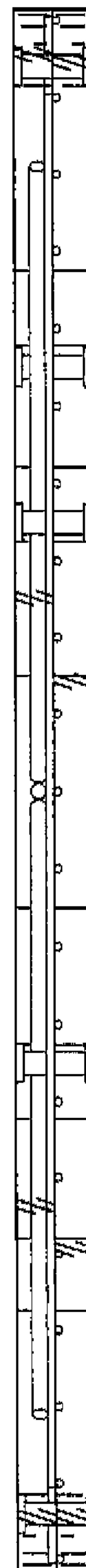


FIG. 5

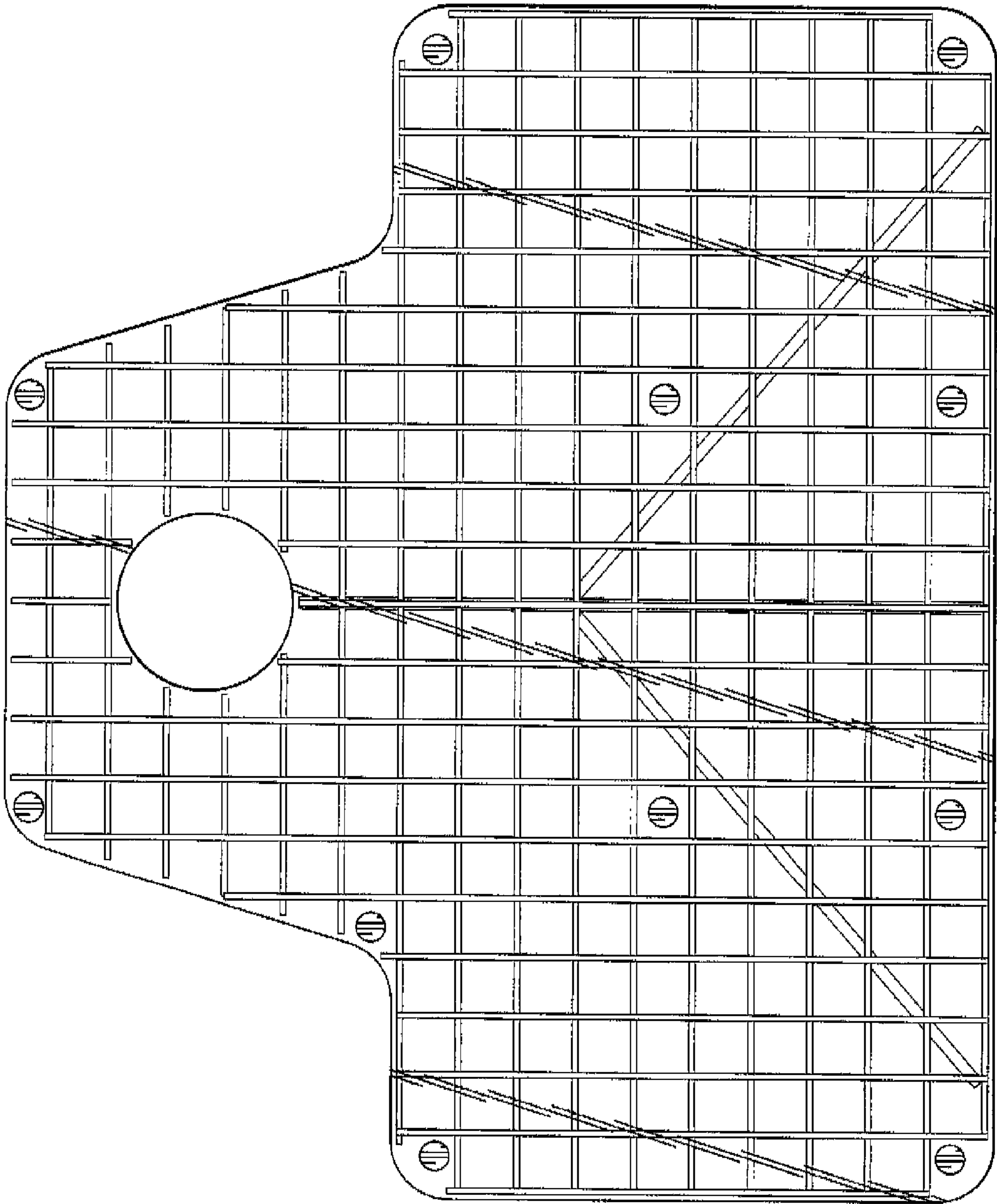


FIG. 6