



US00D664660S

(12) **United States Design Patent**  
**Hickey et al.**

(10) **Patent No.:** **US D664,660 S**  
(45) **Date of Patent:** **\*\* Jul. 31, 2012**

(54) **DIALYSIS MACHINE**

(75) Inventors: **Katherine M. Hickey**, Manchester, NH (US); **James D. Dale**, Nashua, NH (US); **Jacob W. Scarpaci**, Manchester, NH (US); **David J. Hibbard**, Bedford, NH (US); **David E. Collins**, Manchester, NH (US)

(73) Assignee: **DEKA Products Limited Partnership**, Manchester, NH (US)

(\*\*) Term: **14 Years**

(21) Appl. No.: **29/331,308**

(22) Filed: **Jan. 23, 2009**

(51) **LOC (9) Cl.** ..... **24-02**

(52) **U.S. Cl.** ..... **D24/169**

(58) **Field of Classification Search** ..... D24/127, D24/169; D8/300-301, 307, 310-311; 210/252, 210/321.65; 604/28-29, 65, 131  
See application file for complete search history.

(56) **References Cited**

**U.S. PATENT DOCUMENTS**

|           |      |         |                 |       |           |
|-----------|------|---------|-----------------|-------|-----------|
| D183,739  | S *  | 10/1958 | Gomersall       | ..... | D8/301    |
| 4,610,781 | A *  | 9/1986  | Bilstad et al.  | ..... | 210/85    |
| 4,655,753 | A *  | 4/1987  | Bellotti et al. | ..... | 604/534   |
| 4,840,621 | A *  | 6/1989  | Larkin et al.   | ..... | 604/29    |
| 5,350,357 | A    | 9/1994  | Kamen et al.    |       |           |
| 5,634,896 | A *  | 6/1997  | Bryant et al.   | ..... | 604/29    |
| D384,265  | S *  | 9/1997  | Saravis         | ..... | D8/300    |
| 5,693,020 | A *  | 12/1997 | Rauh            | ..... | 604/151   |
| 5,722,947 | A *  | 3/1998  | Jeppsson et al. | ..... | 604/29    |
| 5,989,423 | A *  | 11/1999 | Kamen et al.    | ..... | 210/258   |
| 6,070,761 | A    | 6/2000  | Bloom et al.    |       |           |
| 6,196,992 | B1 * | 3/2001  | Keilman et al.  | ..... | 604/67    |
| 6,210,361 | B1   | 4/2001  | Kamen et al.    |       |           |
| 6,327,895 | B1 * | 12/2001 | Jeppsson et al. | ..... | 73/40     |
| 6,468,241 | B1 * | 10/2002 | Gelfand et al.  | ..... | 604/6.09  |
| 6,585,675 | B1 * | 7/2003  | O'Mahony et al. | ..... | 604/4.01  |
| 6,685,664 | B2 * | 2/2004  | Levin et al.    | ..... | 604/5.04  |
| 6,939,111 | B2 * | 9/2005  | Huitt et al.    | ..... | 417/42    |
| 6,953,323 | B2 * | 10/2005 | Childers et al. | ..... | 417/53    |
| 7,044,002 | B2 * | 5/2006  | Ericson et al.  | ..... | 73/861.52 |

|              |      |         |               |       |          |
|--------------|------|---------|---------------|-------|----------|
| 7,083,719    | B2 * | 8/2006  | Bowman et al. | ..... | 210/143  |
| 7,632,080    | B2   | 12/2009 | Tracey et al. |       |          |
| 2003/0220605 | A1 * | 11/2003 | Bowman et al. | ..... | 604/29   |
| 2003/0220606 | A1 * | 11/2003 | Busby et al.  | ..... | 604/29   |
| 2008/0058712 | A1 * | 3/2008  | Plahey        | ..... | 604/29   |
| 2008/0103429 | A1 * | 5/2008  | Shang et al.  | ..... | 604/6.09 |
| 2009/0101549 | A1   | 4/2009  | Kamen         |       |          |
| 2009/0114582 | A1   | 5/2009  | Grant         |       |          |
| 2010/0051551 | A1 * | 3/2010  | Grant et al.  | ..... | 210/646  |

**FOREIGN PATENT DOCUMENTS**

|    |                |    |        |
|----|----------------|----|--------|
| WO | WO 2009/094182 | A2 | 7/2009 |
| WO | WO 2009/094183 | A1 | 7/2009 |
| WO | WO 2009/094185 | A2 | 7/2009 |
| WO | WO 2009/094186 | A2 | 7/2009 |

**OTHER PUBLICATIONS**

“2008 Mini Cooper Interior View Photo,” 2 pages, [http://www.motortrend.com/roadtests/hatchbacks/112\\_0702\\_2007\\_mini\\_cooper/photo\\_04.html](http://www.motortrend.com/roadtests/hatchbacks/112_0702_2007_mini_cooper/photo_04.html) (accessed Jul. 16, 2009).  
From the Fresenius Medical Care web site: <http://www.fmc-ag.com/internet/fmc/fmcag/neu/fmcpub.nsf/Content/Photo+Gallery+Product+PD>.  
Photo of 2007 Mini Cooper S Convertible door controls, 1 page, [http://1.yimg.com/dv/izp/mini\\_cooper\\_s\\_convertible\\_2007\\_interior\\_doorcontrols.jpg](http://1.yimg.com/dv/izp/mini_cooper_s_convertible_2007_interior_doorcontrols.jpg) (accessed Jul. 16, 2009).

\* cited by examiner

*Primary Examiner* — Eric Goodman

(74) *Attorney, Agent, or Firm* — Wolf, Greenfield & Sacks, P.C.

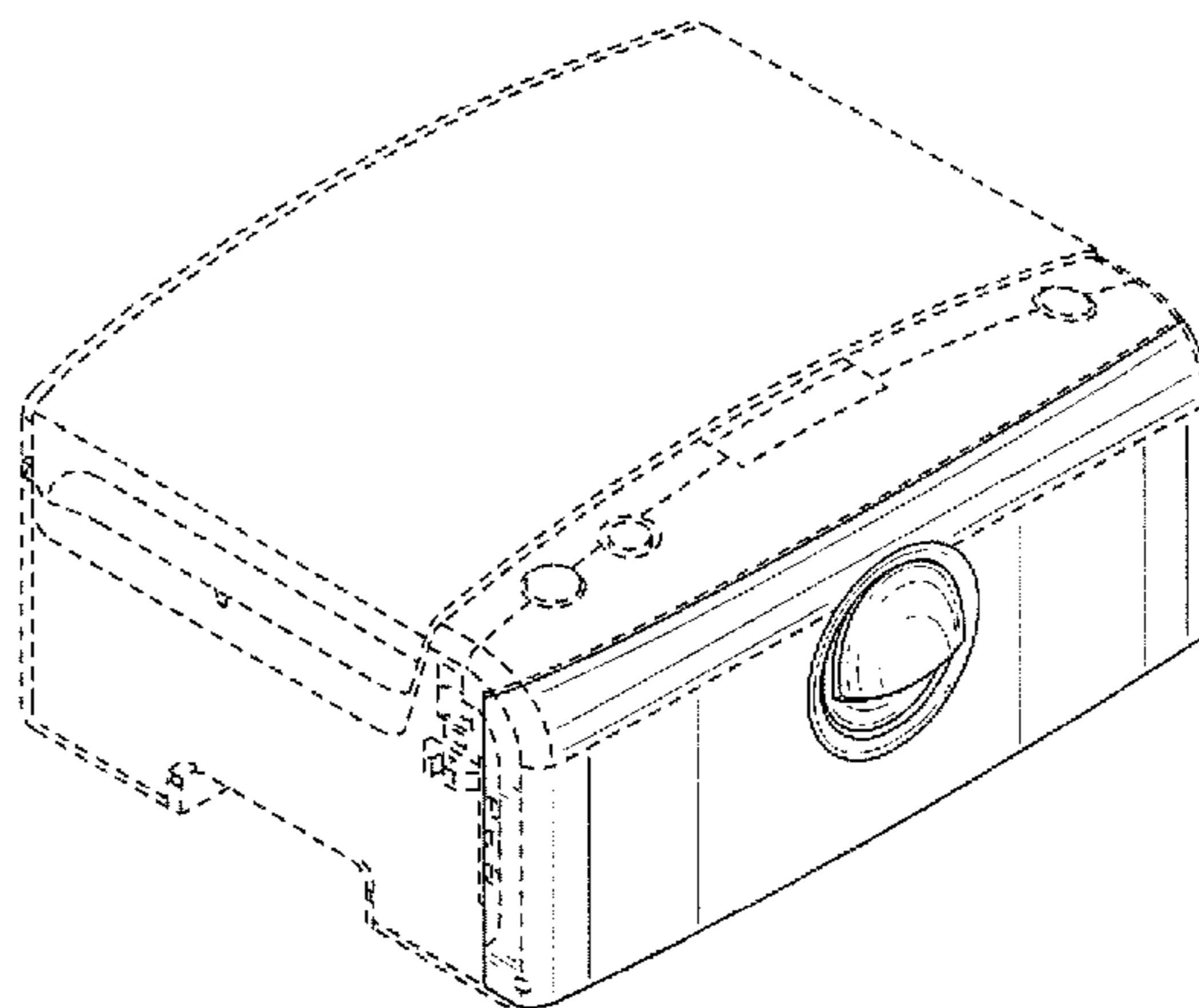
(57) **CLAIM**

The ornamental design for a handle for dialysis machine, as shown and described.

**DESCRIPTION**

FIG. 1 is a left perspective view of the handle for dialysis machine;  
FIG. 2 is a right perspective view thereof;  
FIG. 3 is a front side view thereof;  
FIG. 4 is a top side view thereof;  
FIG. 5 is a left side view thereof; and,  
FIG. 6 is a right side view thereof.  
The broken line representations in the figures are for illustrative purposes only and form no part of the claimed design.

**1 Claim, 6 Drawing Sheets**



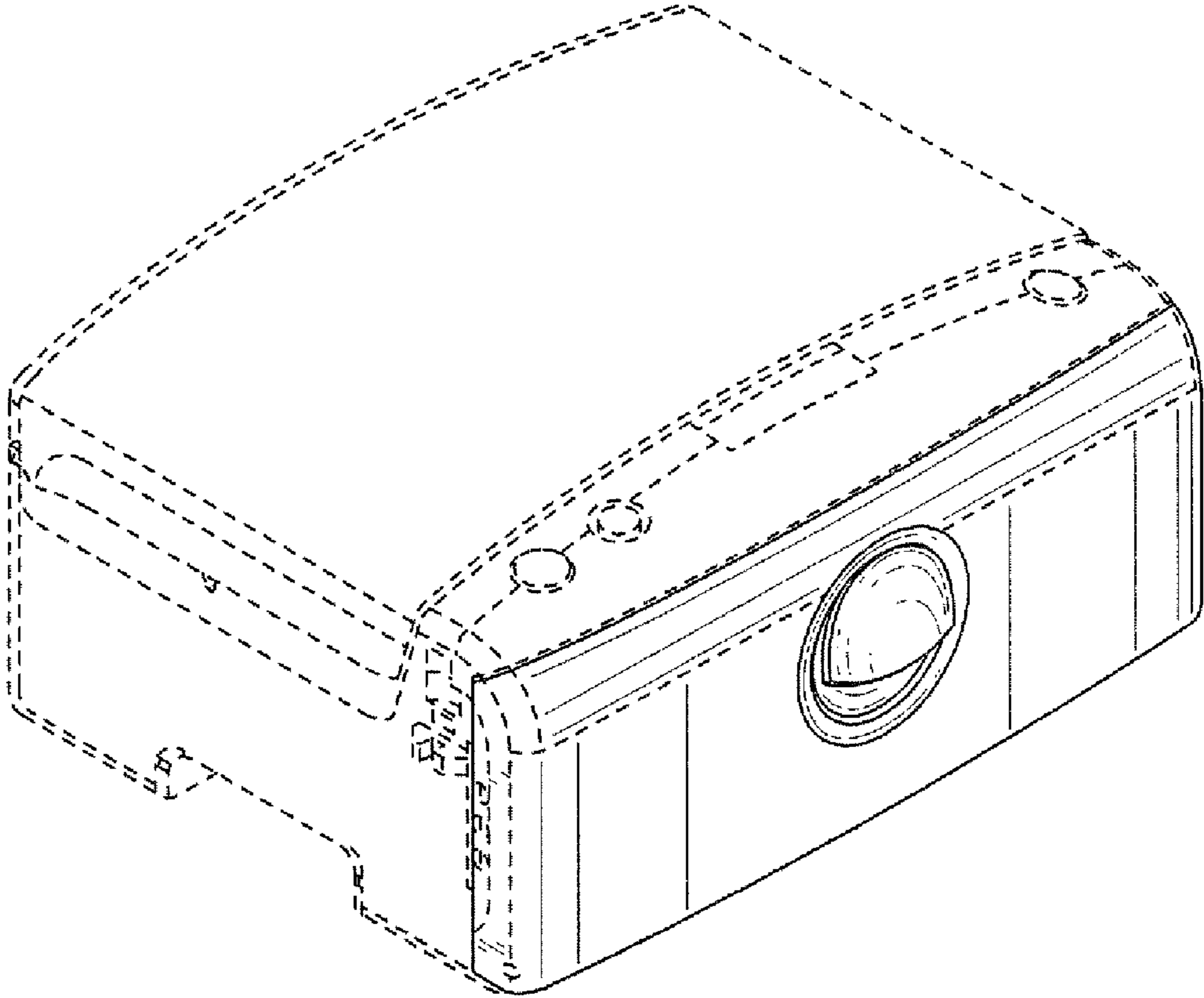


FIG. 1

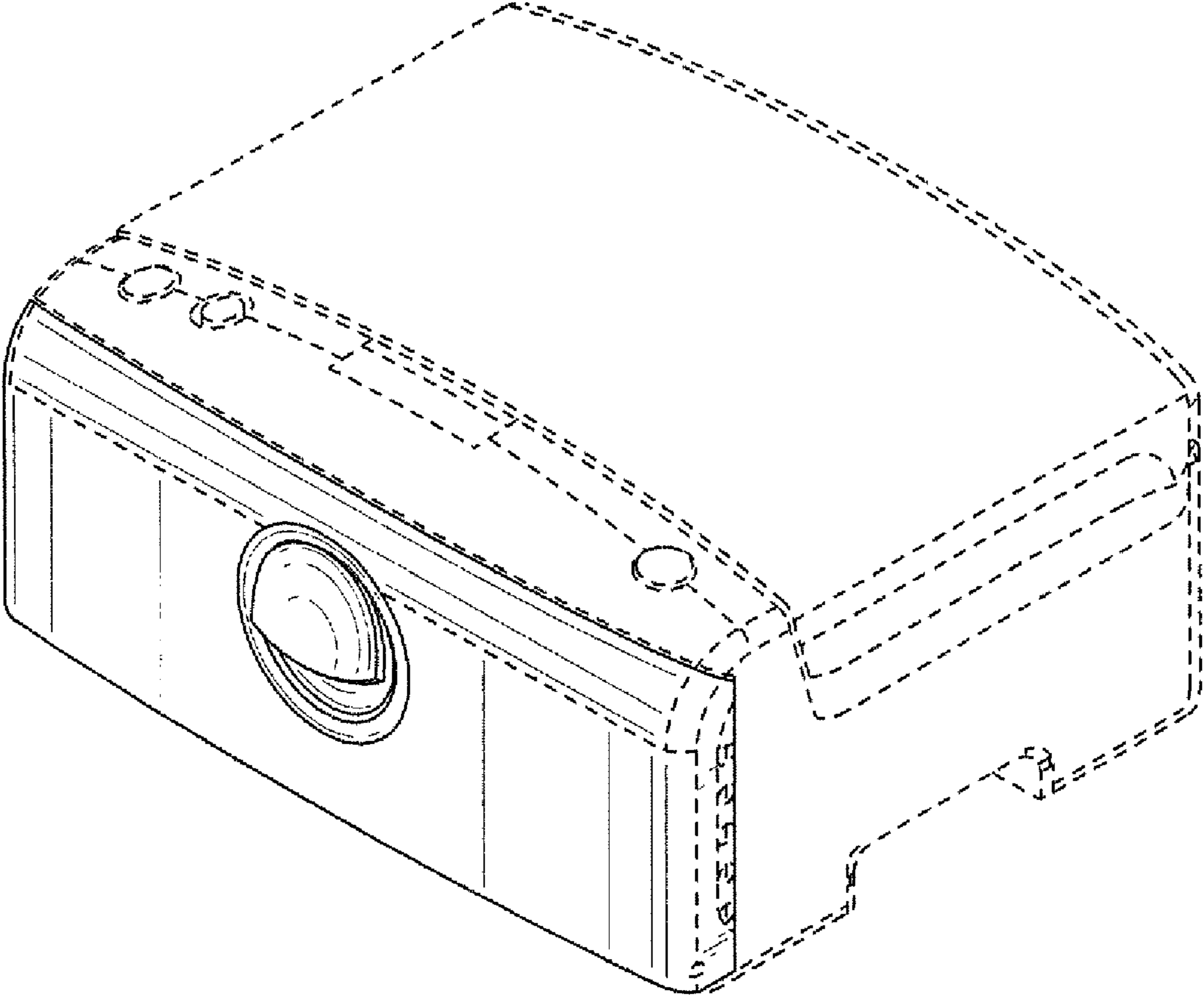


FIG. 2

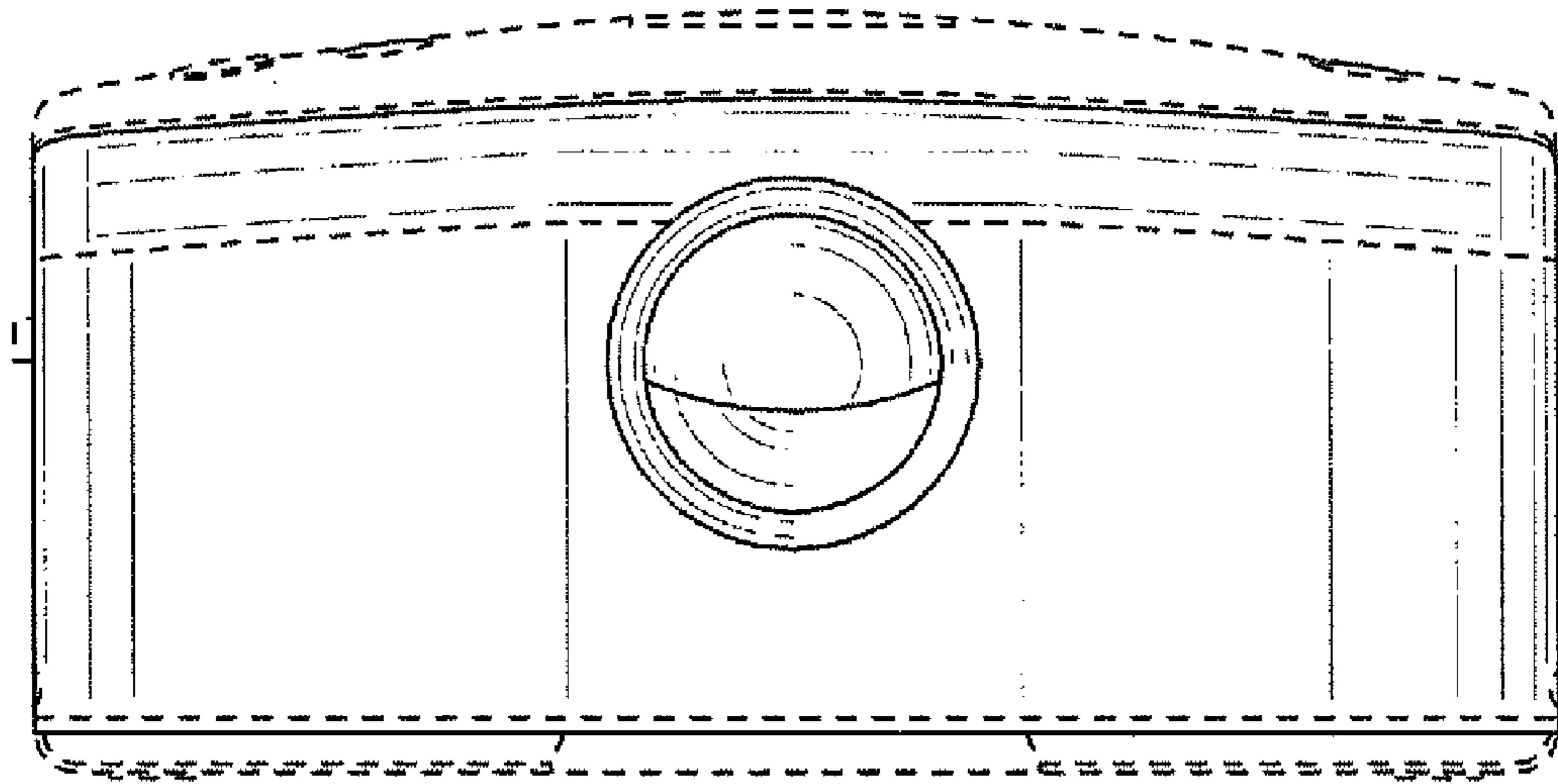


FIG. 3

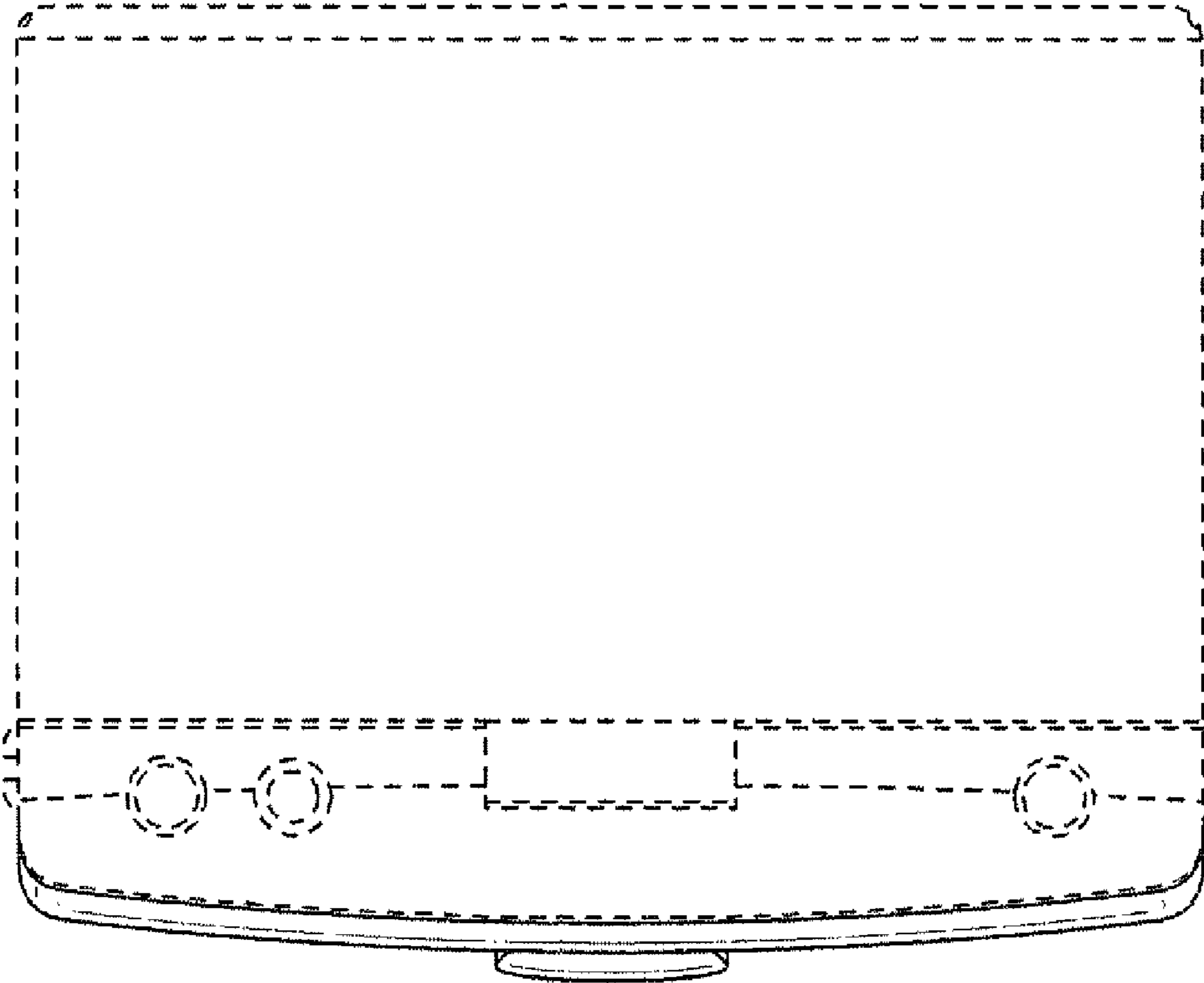


FIG. 4

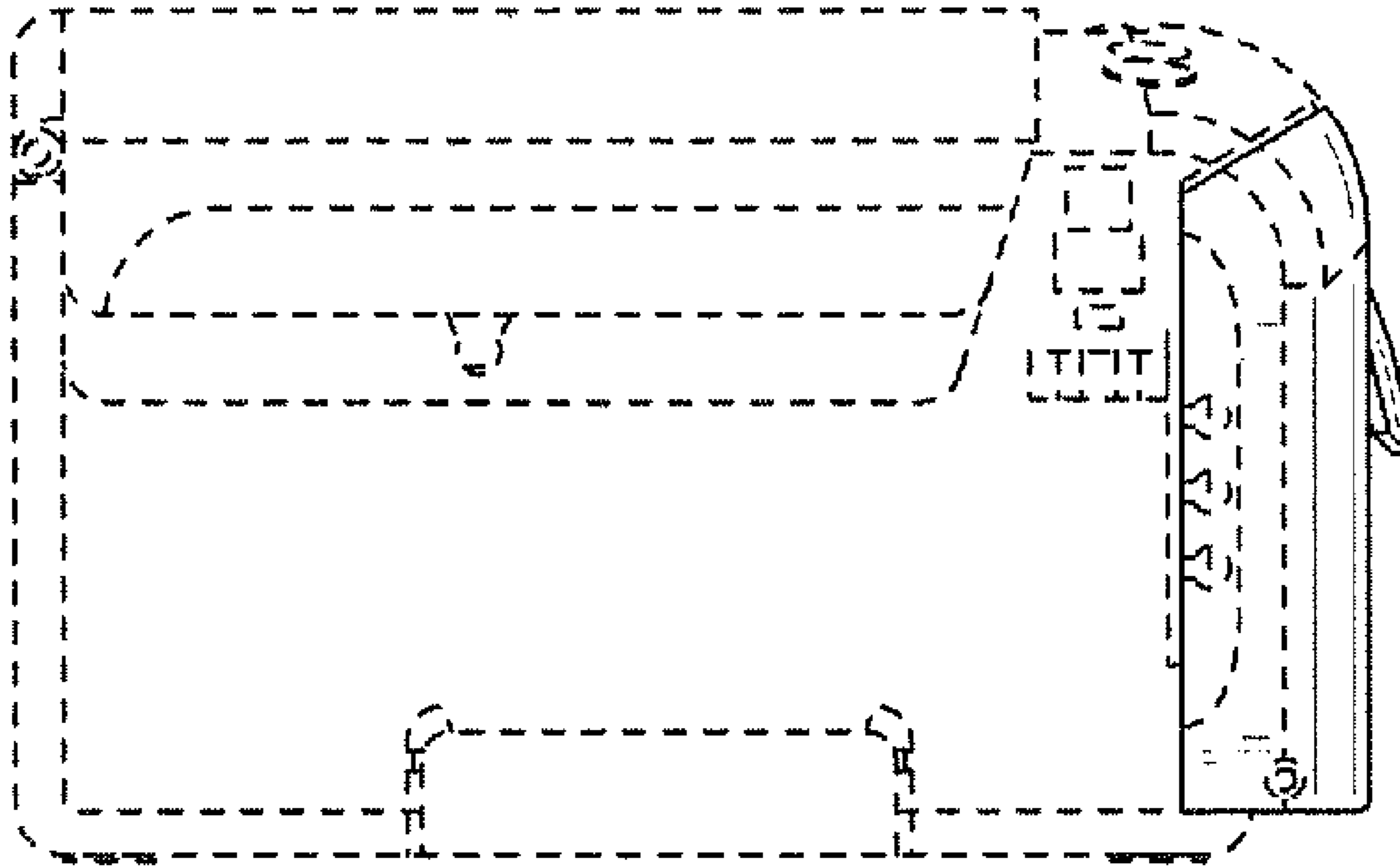


FIG. 5



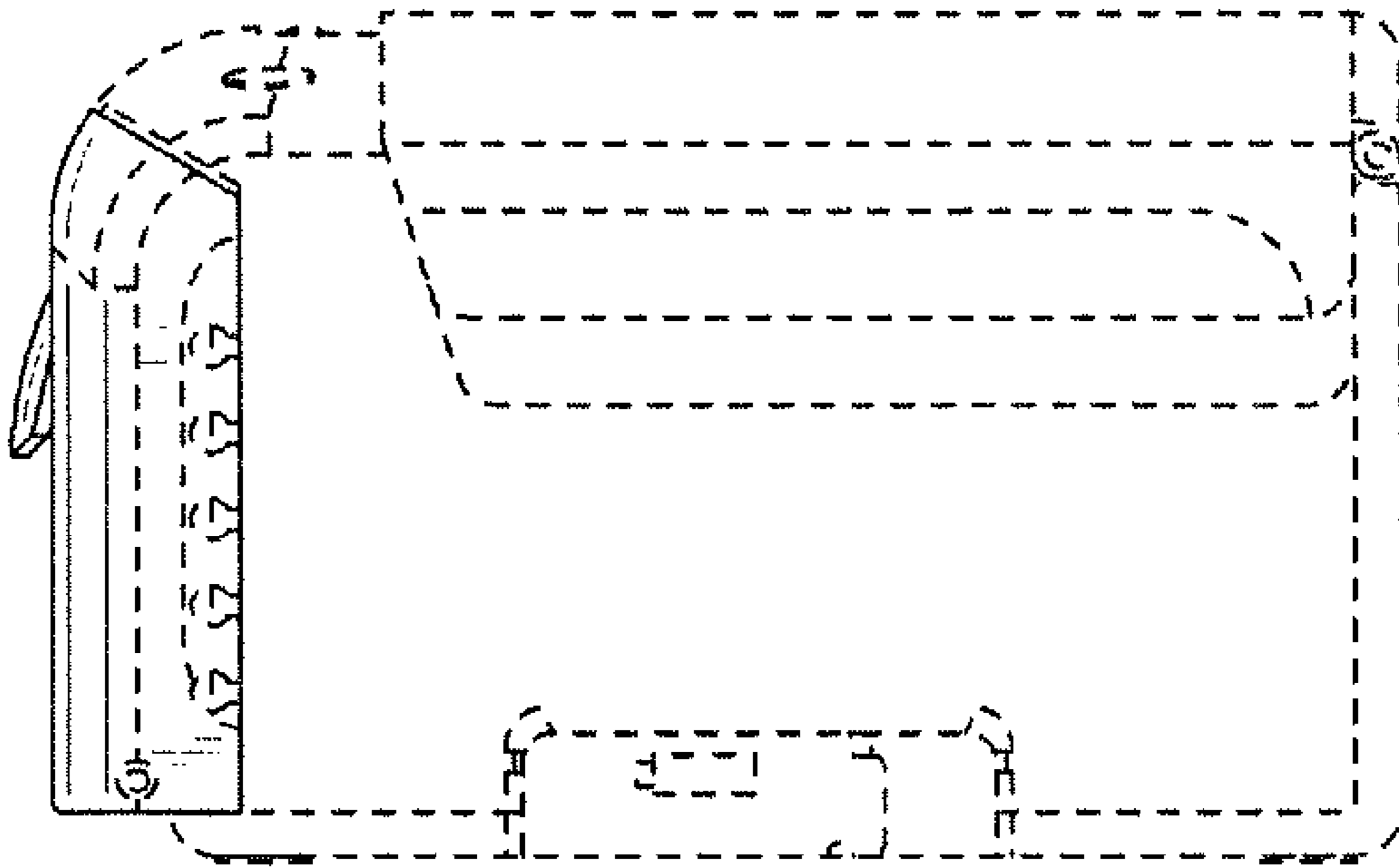


FIG. 6

UNITED STATES PATENT AND TRADEMARK OFFICE  
**CERTIFICATE OF CORRECTION**

PATENT NO. : D664,660 S  
APPLICATION NO. : 29/331308  
DATED : July 31, 2012  
INVENTOR(S) : Katherine M. Hickey et al.

Page 1 of 1

It is certified that error appears in the above-identified patent and that said Letters Patent is hereby corrected as shown below:

The claim in title page item (57) should read as follows:

-- The ornamental design for a dialysis machine, as shown and described. --

The description of FIG. 1 in title page item (57) should read as follows:

-- FIG. 1 is a left perspective view of the dialysis machine; --

Signed and Sealed this  
Eighteenth Day of September, 2012

A handwritten signature in black ink that reads "David J. Kappos". The signature is written in a cursive, slightly slanted style.

David J. Kappos  
*Director of the United States Patent and Trademark Office*